



US00D957001S

(12) **United States Design Patent** (10) **Patent No.:** **US D957,001 S**
Su (45) **Date of Patent:** **** Jul. 5, 2022**

(54) **SAFETY GATE**
(71) Applicant: **Shuicai Su**, Jiangxi (CN)
(72) Inventor: **Shuicai Su**, Jiangxi (CN)
(73) Assignee: **EASYBABY PRODUCTS, INC.**,
Dallas, TX (US)
(**) Term: **15 Years**
(21) Appl. No.: **29/743,133**
(22) Filed: **Jul. 20, 2020**
(51) **LOC (13) Cl.** **25-02**
(52) **U.S. Cl.**
USPC **D25/48.5**
(58) **Field of Classification Search**
USPC D25/48.1, 48.3, 48.5
CPC E06B 11/02; E06B 11/023; E06B 3/36;
E06B 9/00; E06B 9/04; E06B 9/06; E05B
13/002; E05B 65/0007; E05B 65/0014;
E05B 15/101; A47D 13/065; E04H 17/00
See application file for complete search history.

11,041,340 B1 * 6/2021 Flannery E05B 65/0014
2011/0225890 A1 * 9/2011 Greenwood E05B 65/0007
49/394
2015/0027060 A1 * 1/2015 Sousa E05B 53/001
49/394
2019/0234139 A1 * 8/2019 Flannery E06B 11/022

FOREIGN PATENT DOCUMENTS

EM 008028344-0001 * 7/2020
GB 9008028328-0001 * 7/2020

* cited by examiner

Primary Examiner — Leanne Was-Englehart

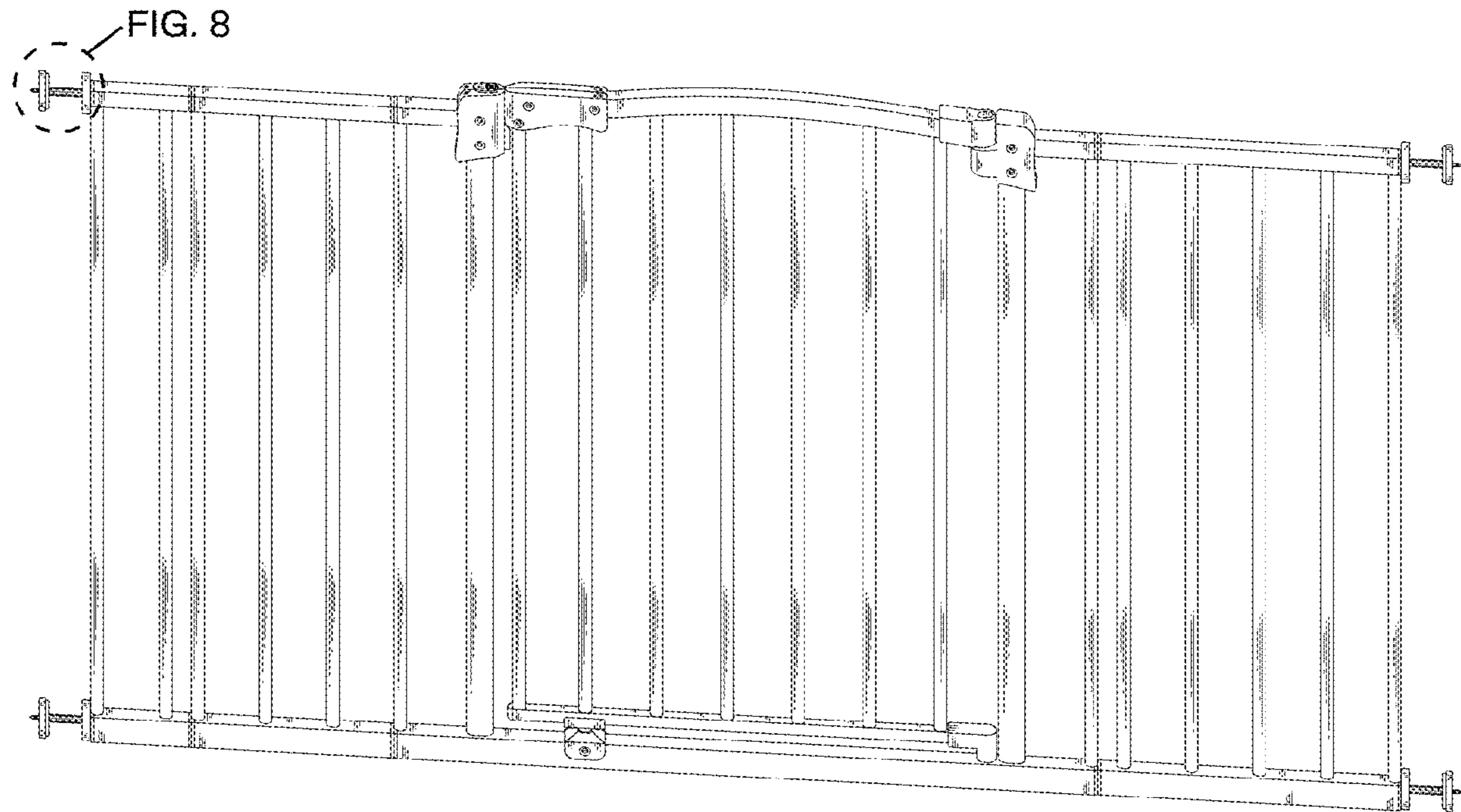
(57) **CLAIM**

The ornamental design for a safety gate, as shown and described.

DESCRIPTION

FIG. 1 is a perspective view of a safety gate showing my new design;
FIG. 2 is a front elevational view thereof;
FIG. 3 is a rear elevational view thereof;
FIG. 4 is a left side elevational view thereof;
FIG. 5 is a right side elevational view thereof;
FIG. 6 is a top plan view thereof;
FIG. 7 is a bottom plan view thereof; and,
FIG. 8 is an enlarged view thereof.
The broken line circles depict the limits of the enlarged views and form no part of the claimed design
The broken lines depict portions of the safety gate that form no part of the claimed design.

1 Claim, 8 Drawing Sheets



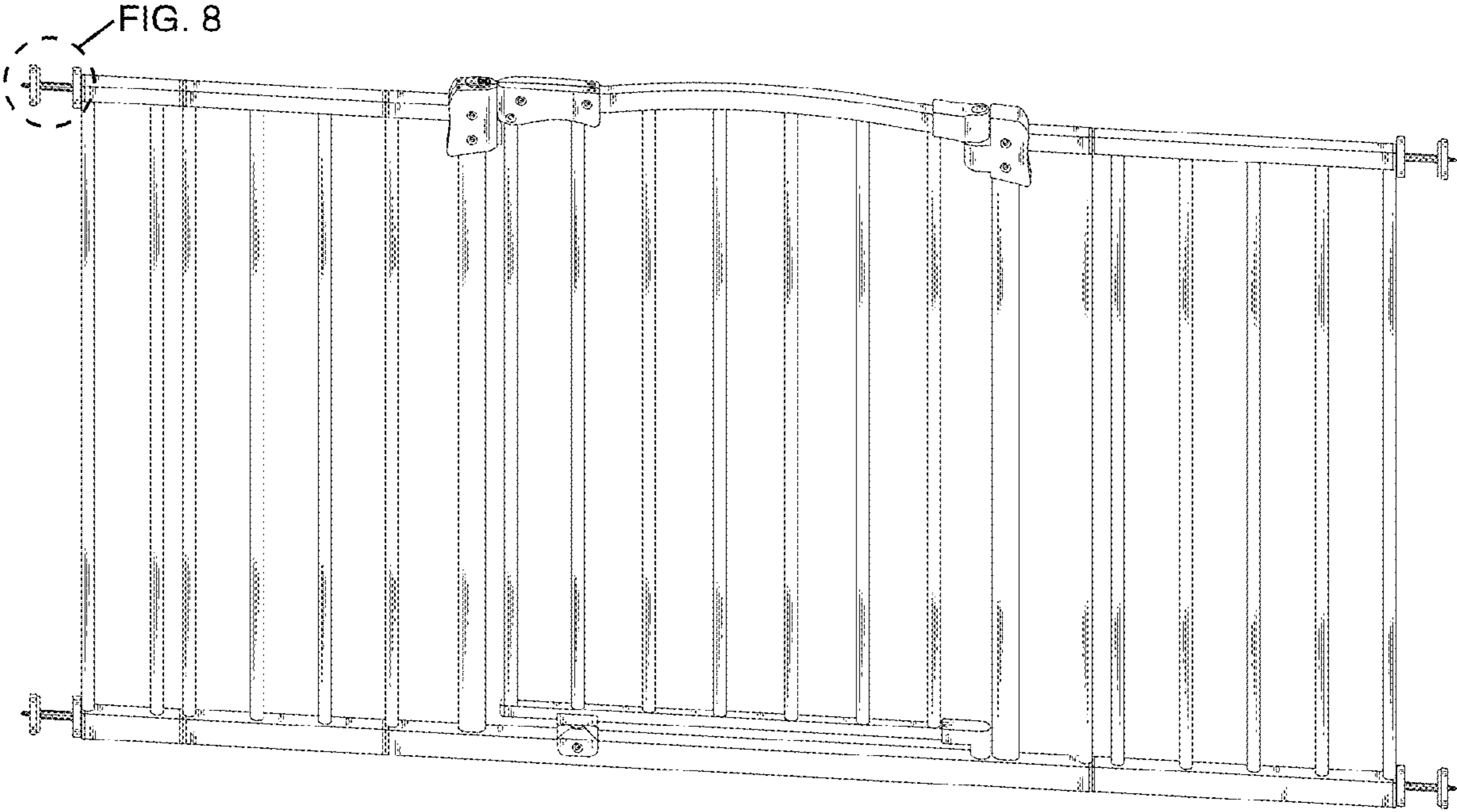


FIG.1

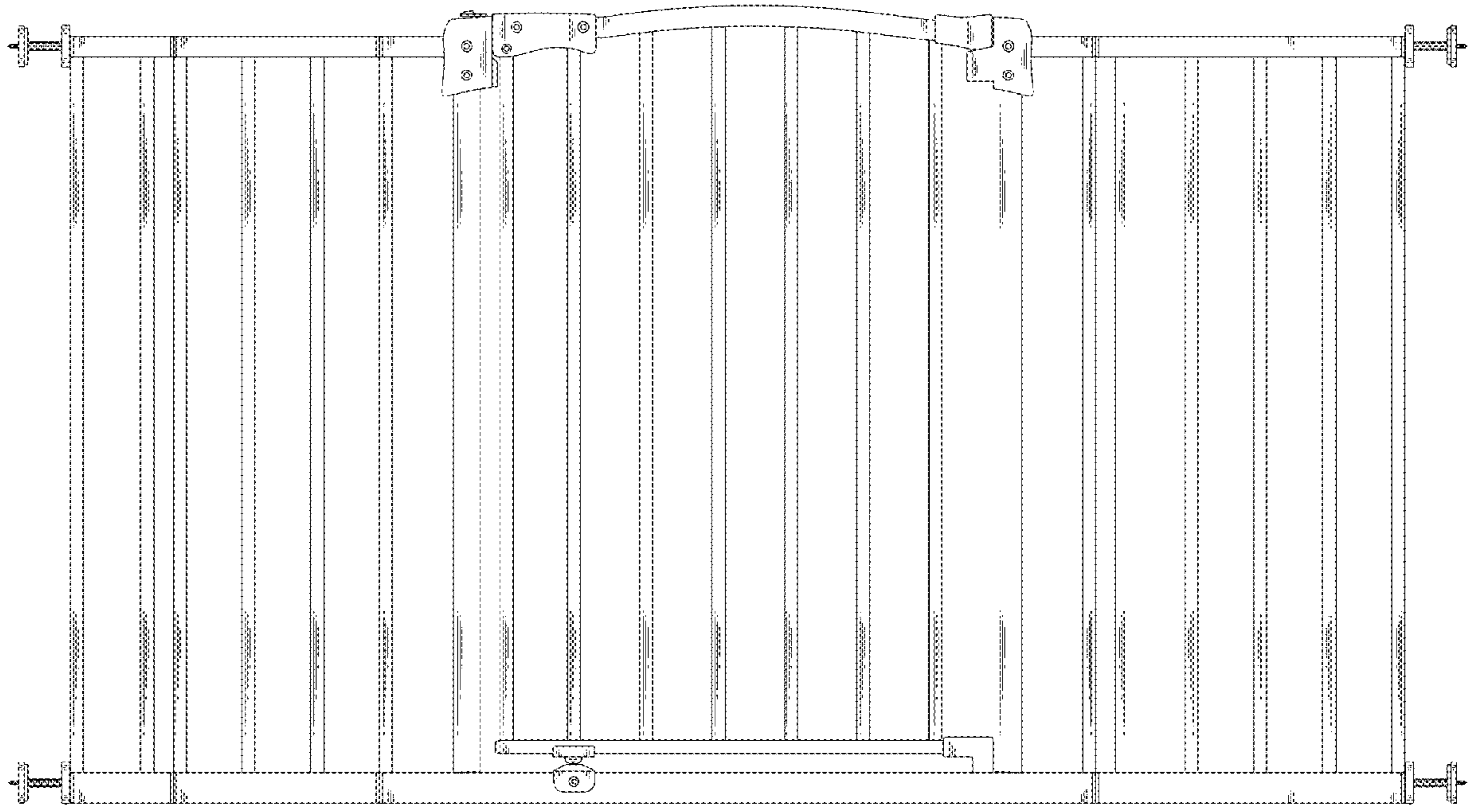


FIG.2

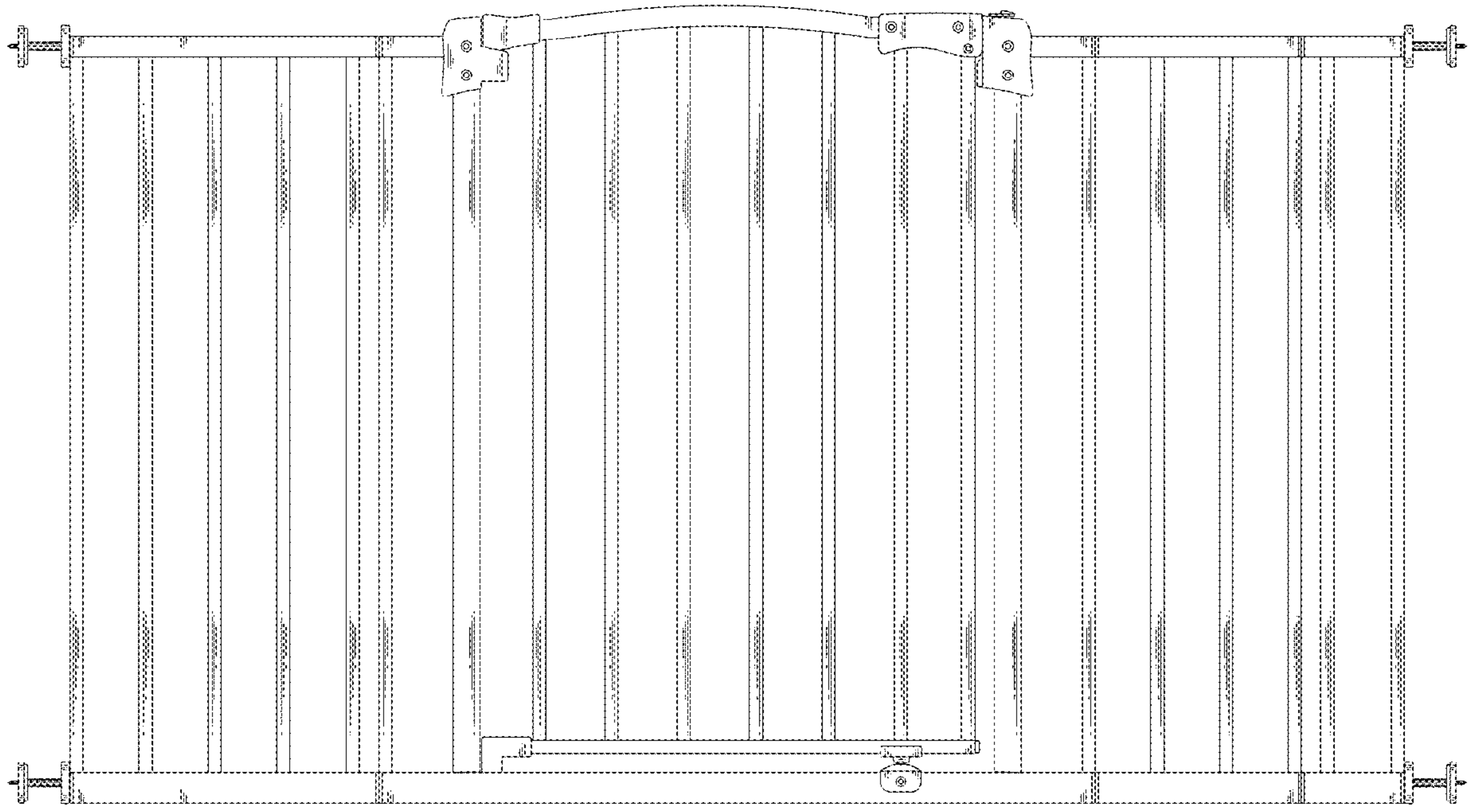


FIG.3

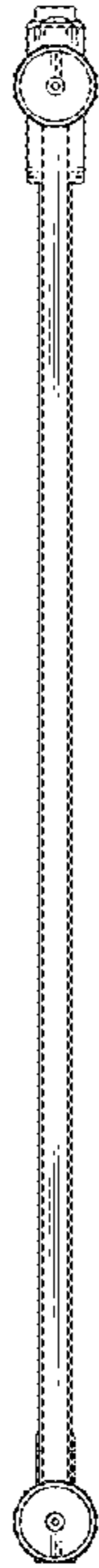


FIG.4

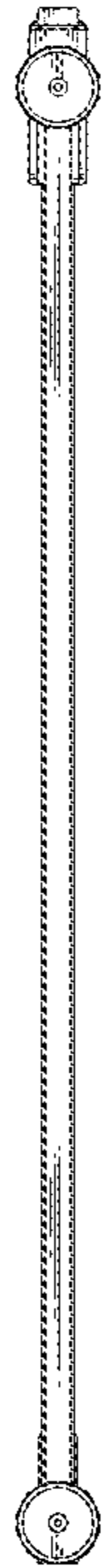


FIG.5

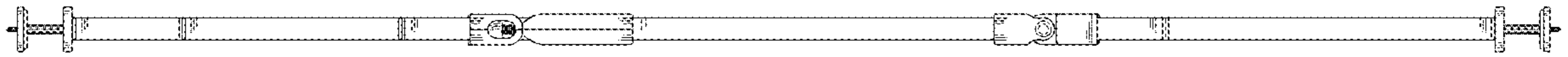


FIG.6

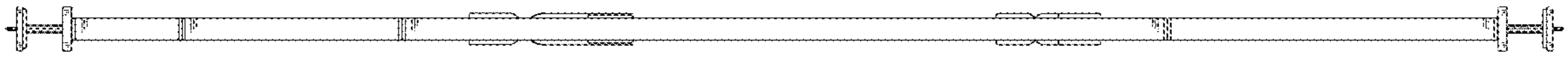


FIG.7

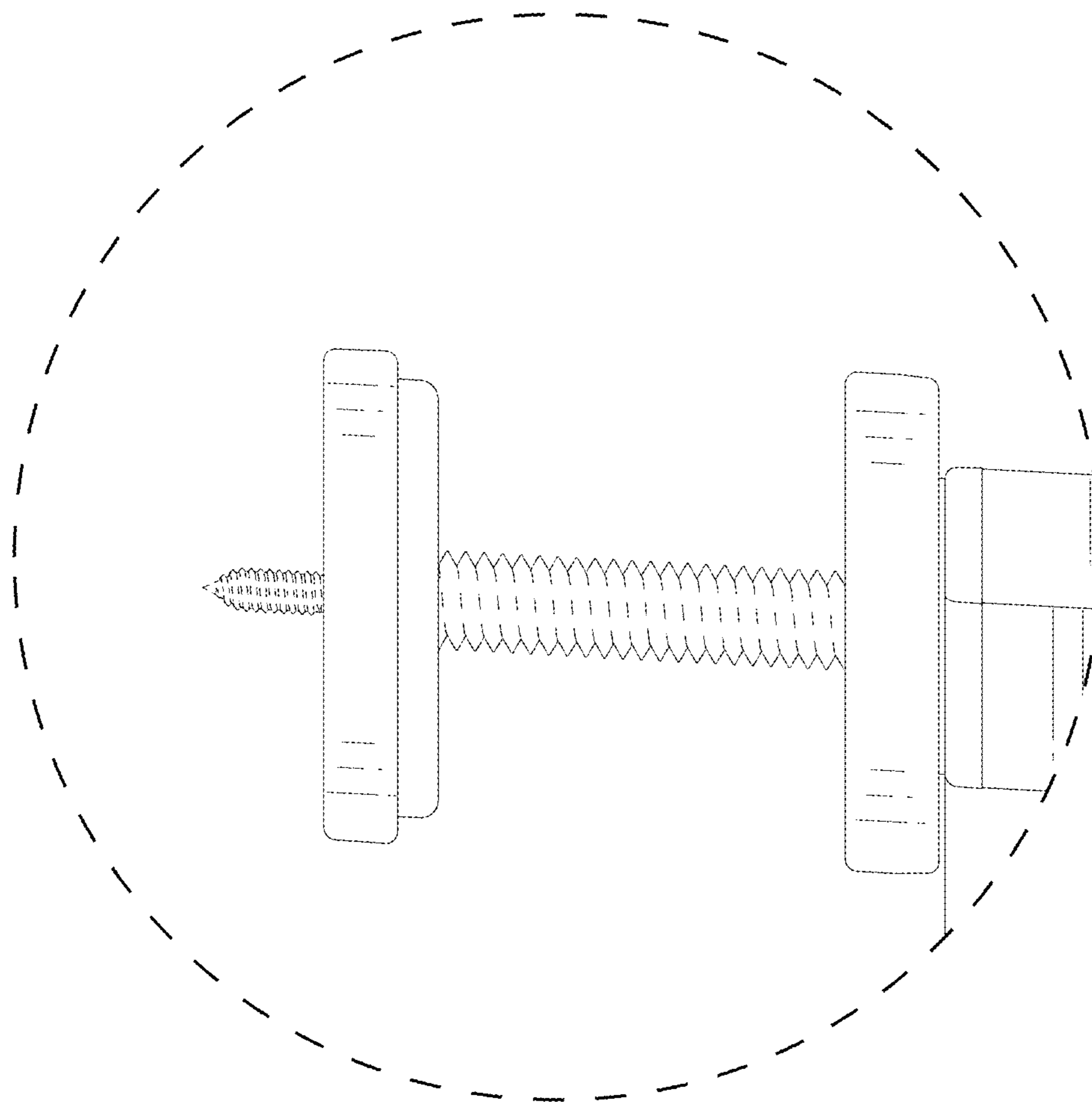


FIG. 8