



US00D956997S

(12) **United States Design Patent**
Lee et al.

(10) **Patent No.:** **US D956,997 S**
(45) **Date of Patent:** **** Jul. 5, 2022**

(54) **SMARTPHONE STERILIZER**

- (71) Applicant: **SK NETWORKS CO., LTD.**,
Suwon-si (KR)
- (72) Inventors: **Bong Ju Lee**, Suwon-si (KR); **Keon Chang Park**, Suwon-si (KR); **Jae Heung Park**, Suwon-si (KR); **Young Mi Lee**, Suwon-si (KR); **Hyuck Jun Moon**, Suwon-si (KR); **Yun Koul Ahn**, Suwon-si (KR)
- (73) Assignee: **SK NETWORKS CO., LTD**, Suwon-si (KR)
- (**) Term: **15 Years**
- (21) Appl. No.: **29/751,218**
- (22) Filed: **Sep. 18, 2020**
- (30) **Foreign Application Priority Data**

Jul. 13, 2020 (KR) 30-2020-0031999

(51) **LOC (13) Cl.** **24-01**

(52) **U.S. Cl.**
USPC **D24/217**

(58) **Field of Classification Search**
USPC D24/107, 209, 210, 216, 217, 218, 231, 224/232, 234; D26/37, 38, 51; D32/1, D32/25; D3/203.1, 294; D13/108; D7/329, 330
CPC ... A61L 2/025; A61L 2/07; A61L 2/10; A61L 2/18; A61L 2/24; A61L 2/26; A61L 2202/10; A61L 2202/11; A61L 2202/14; A61L 2202/23; A61L 2202/24; A61L 2202/122; A61L 2202/182
See application file for complete search history.

(56) **References Cited**

U.S. PATENT DOCUMENTS

- D703,343 S * 4/2014 Biswas D24/217
- D885,603 S * 5/2020 Zhang D24/217
- D890,357 S * 7/2020 Zanon D24/217

(Continued)

OTHER PUBLICATIONS

Phone Toaster wireless charger, sanitizer, Bluetooth speaker, alarm clock and more—Geeky Gadgets. Posted 12:59 pm Jul. 28, 2020 By Julian Horsey. Retrieved from internet on Jan. 27, 2022 at: <https://www.geeky-gadgets.com/phone-toaster-28-07-2020/>.*

Primary Examiner — Anhdao Doan

(74) *Attorney, Agent, or Firm* — Lewis Roca Rothgerber Christie LLP

(57) **CLAIM**

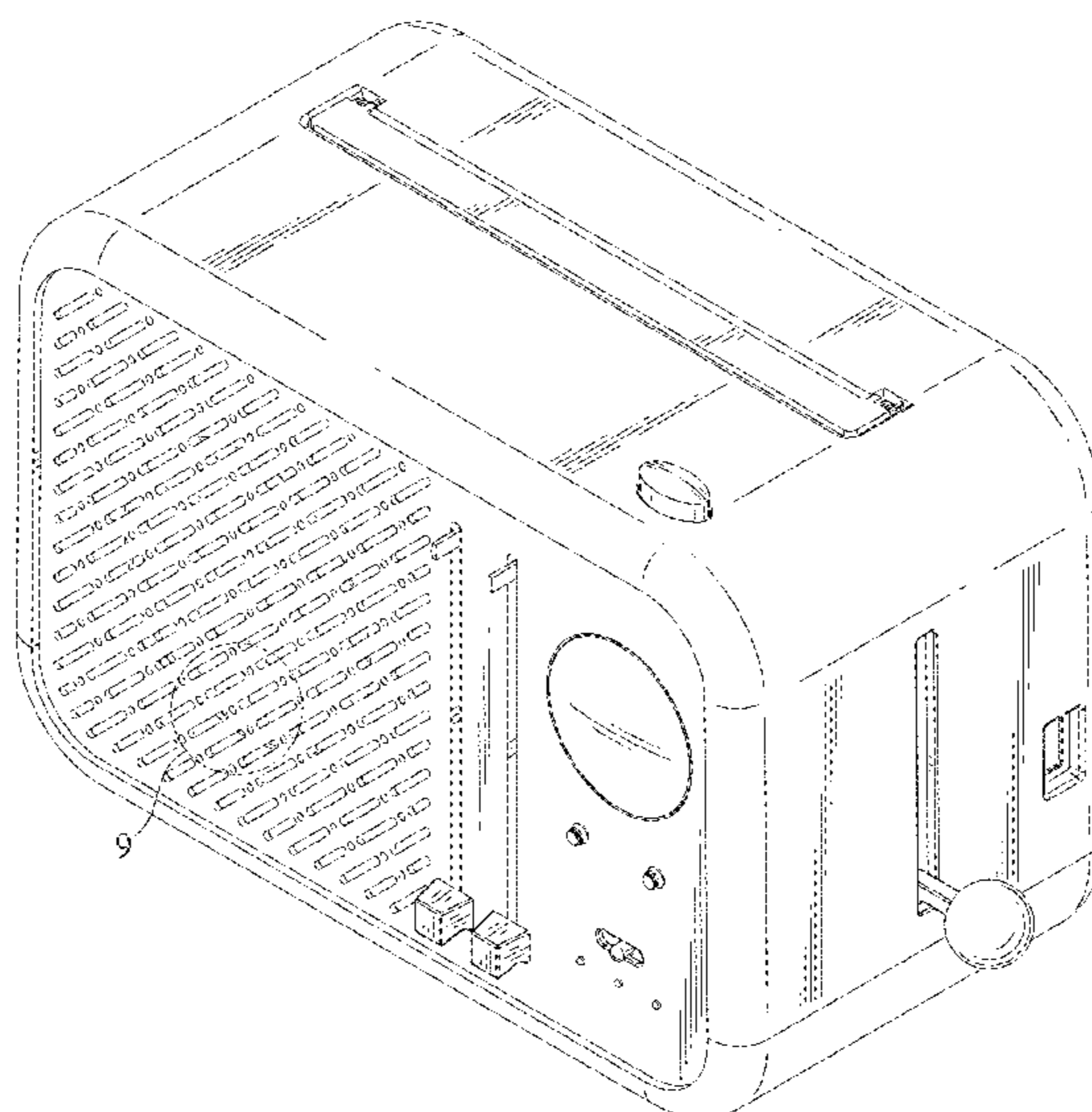
The ornamental design for a smartphone sterilizer, as shown and described.

DESCRIPTION

FIG. 1 is a perspective view of a front, top, and right side of a smartphone sterilizer;
 FIG. 2 is a perspective view of a rear, bottom, and left side of the smartphone sterilizer of FIG. 1;
 FIG. 3 is a front elevational view of the smartphone sterilizer of FIG. 1;
 FIG. 4 is a rear elevational view of the smartphone sterilizer of FIG. 1;
 FIG. 5 is a left side elevational view of the smartphone sterilizer of FIG. 1;
 FIG. 6 is a right side elevational view of the smartphone sterilizer of FIG. 1;
 FIG. 7 is a top plan view of the of the smartphone sterilizer of FIG. 1;
 FIG. 8 is a bottom plan view of the smartphone sterilizer of FIG. 1; and,
 FIG. 9 is an enlarged view of the encircled portion shown in FIG. 1.

The broken lines in the drawings are for the purpose of illustrating portions of the smartphone sterilizer that form no part of the claimed design.

1 Claim, 6 Drawing Sheets



(56)

References Cited

U.S. PATENT DOCUMENTS

D923,810 S *	6/2021	Cai	D24/217
11,033,645 B1 *	6/2021	Mora	A61L 2/26
2015/0115173 A1 *	4/2015	Kim	A61L 2/10
			250/455.11
2016/0074545 A1 *	3/2016	Kim	A61L 2/10
			250/455.11
2019/0374664 A1 *	12/2019	Kay	A61L 2/10
2021/0290808 A1 *	9/2021	Schumaier	A61L 2/06

* cited by examiner

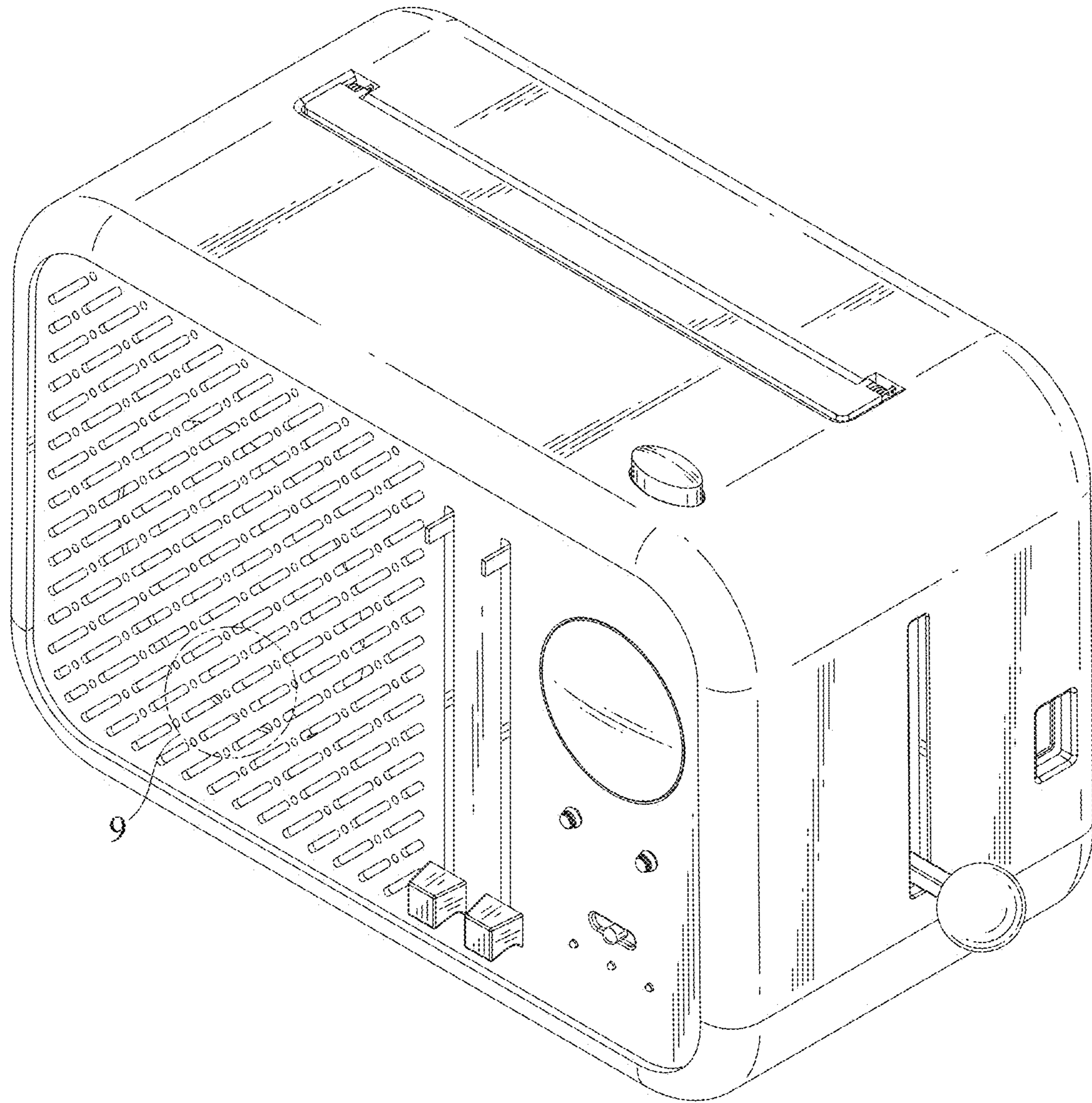


FIG. 1

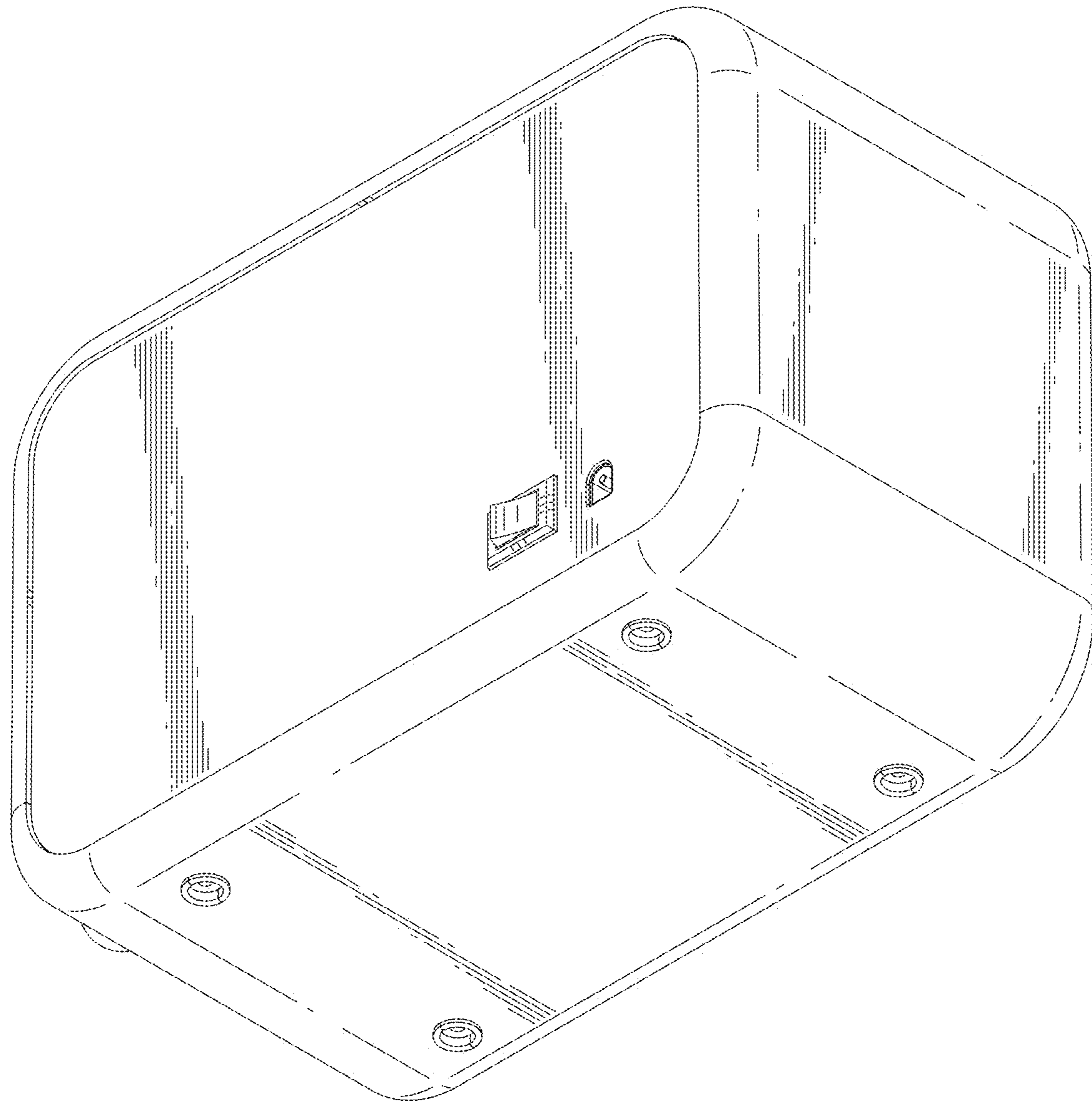


FIG. 2

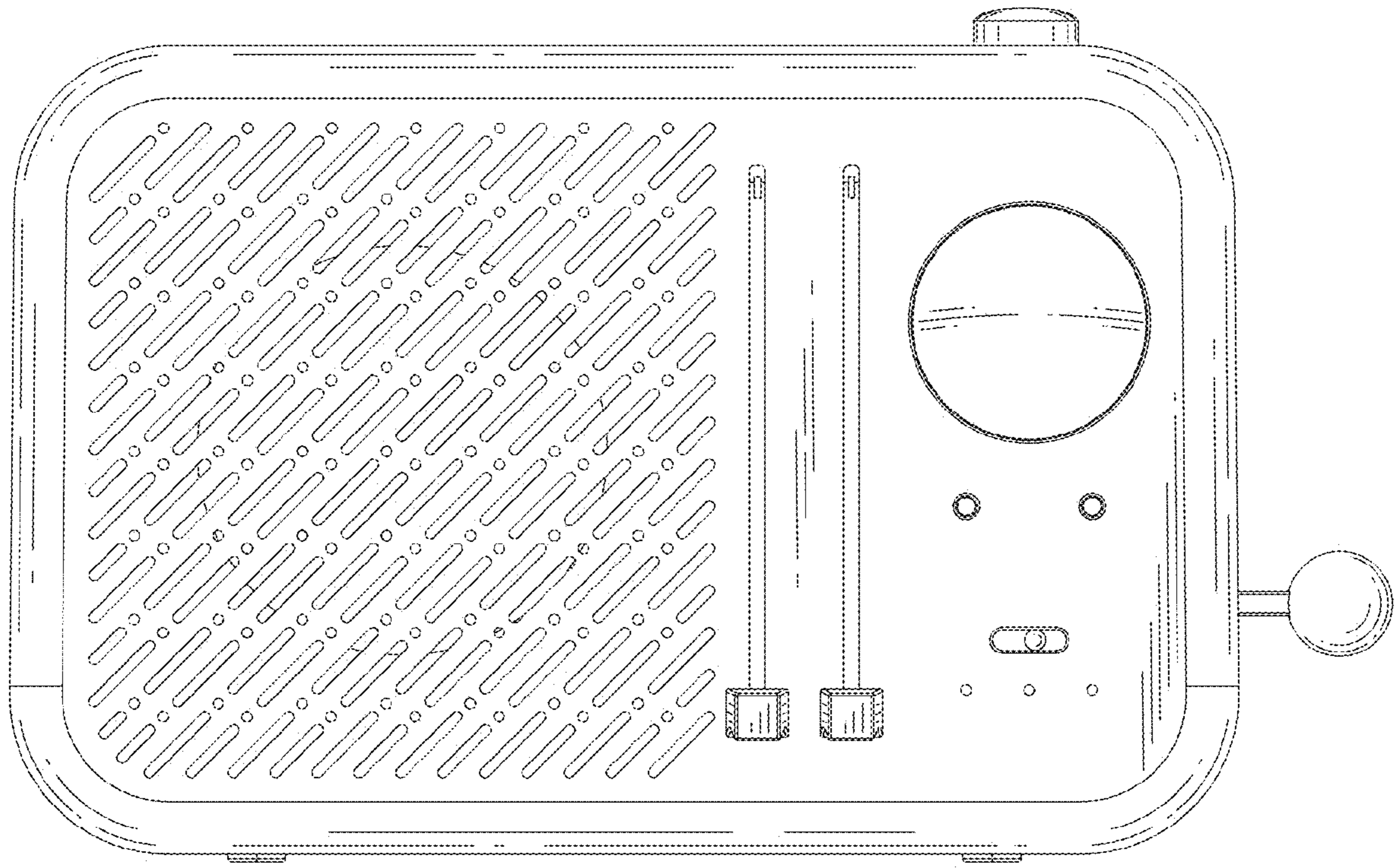


FIG. 3

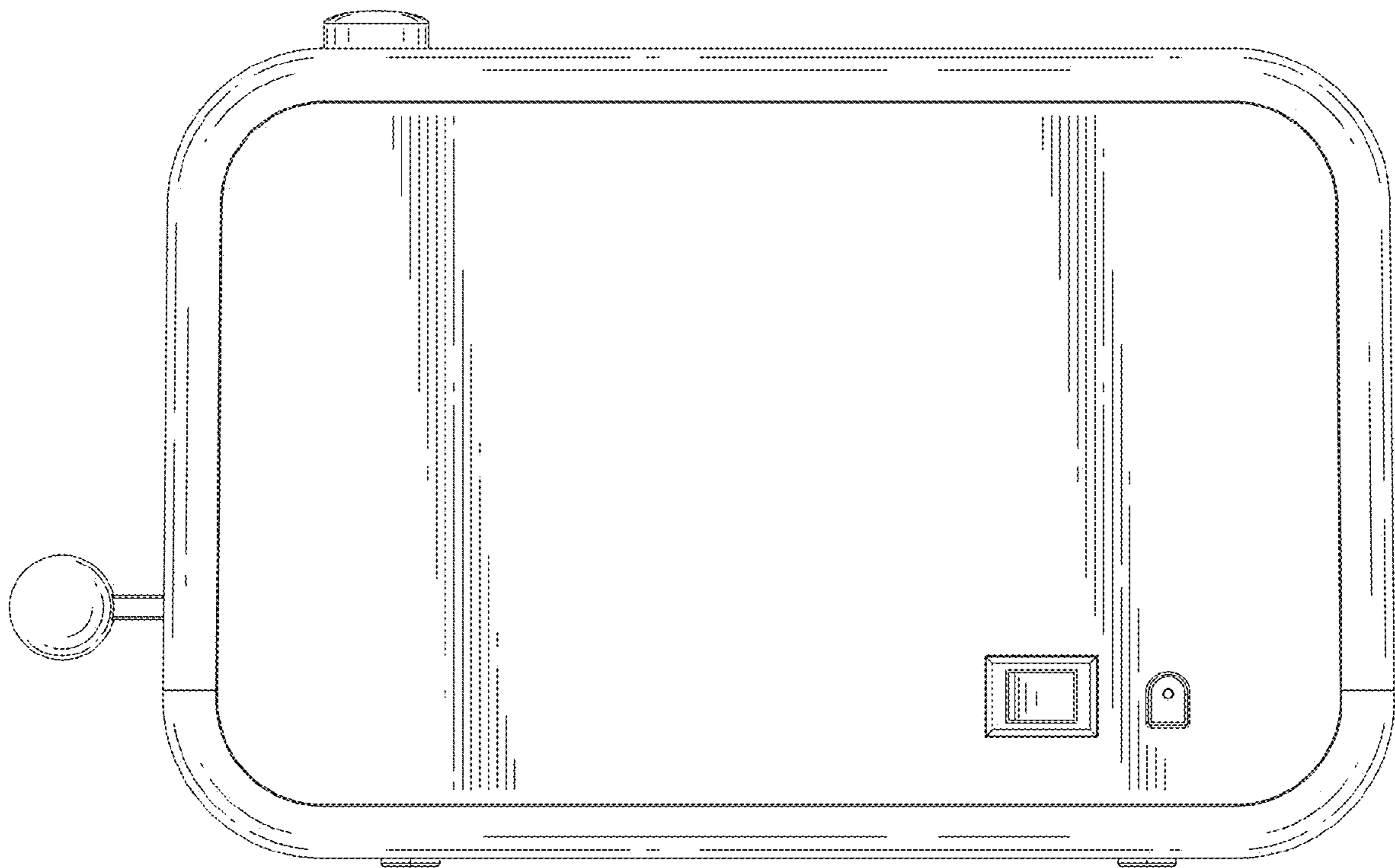


FIG. 4

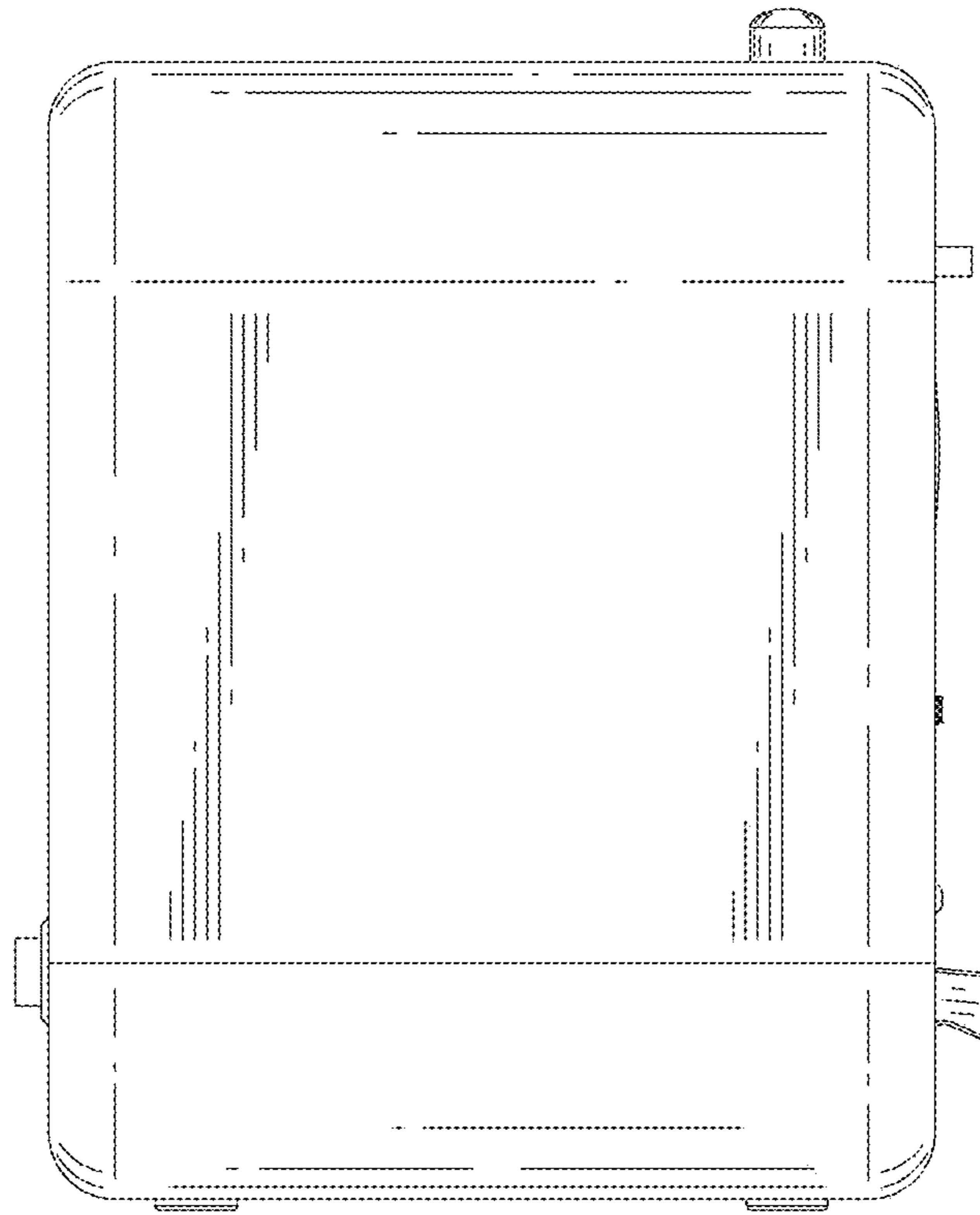


FIG. 5

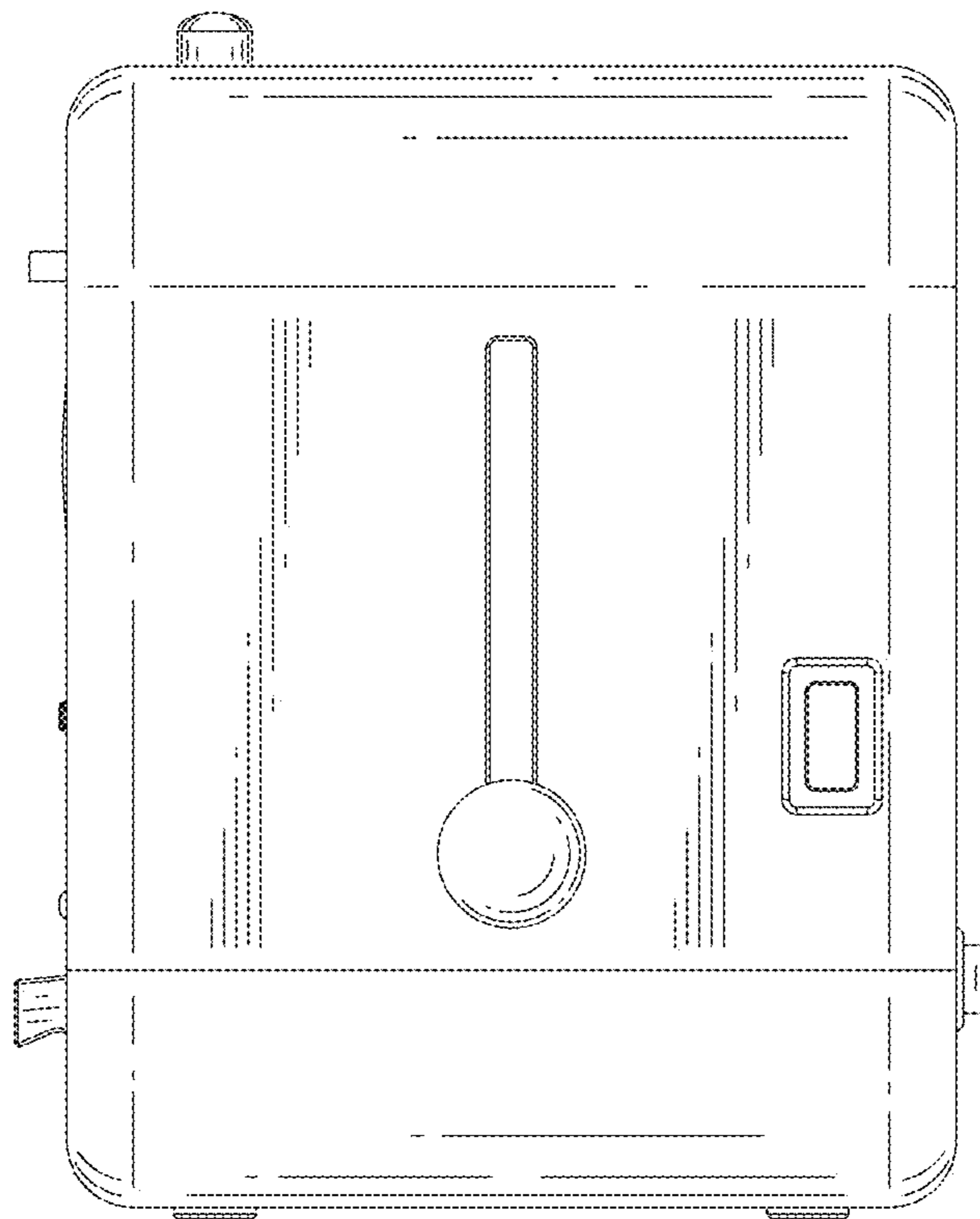


FIG. 6

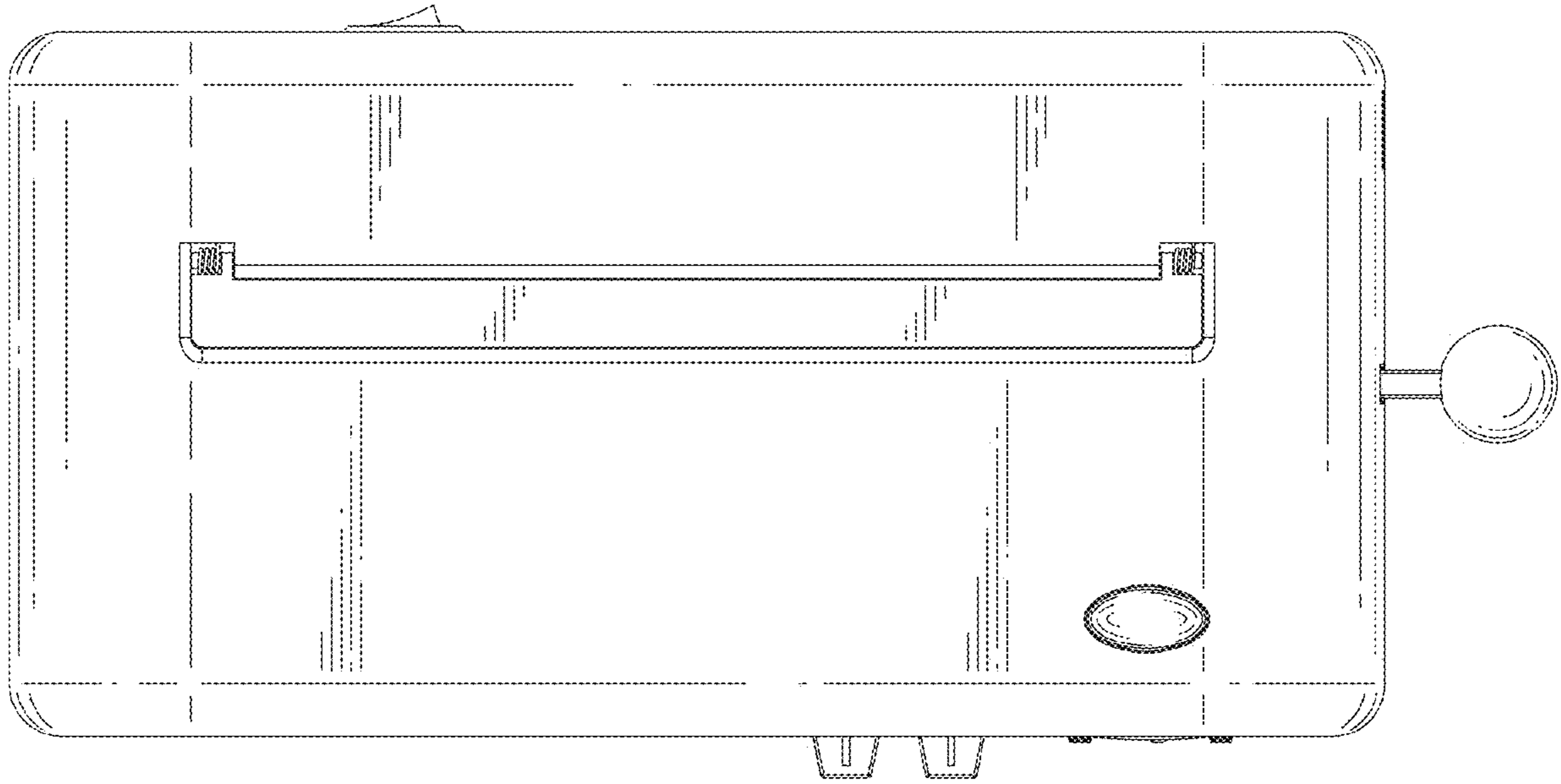


FIG. 7

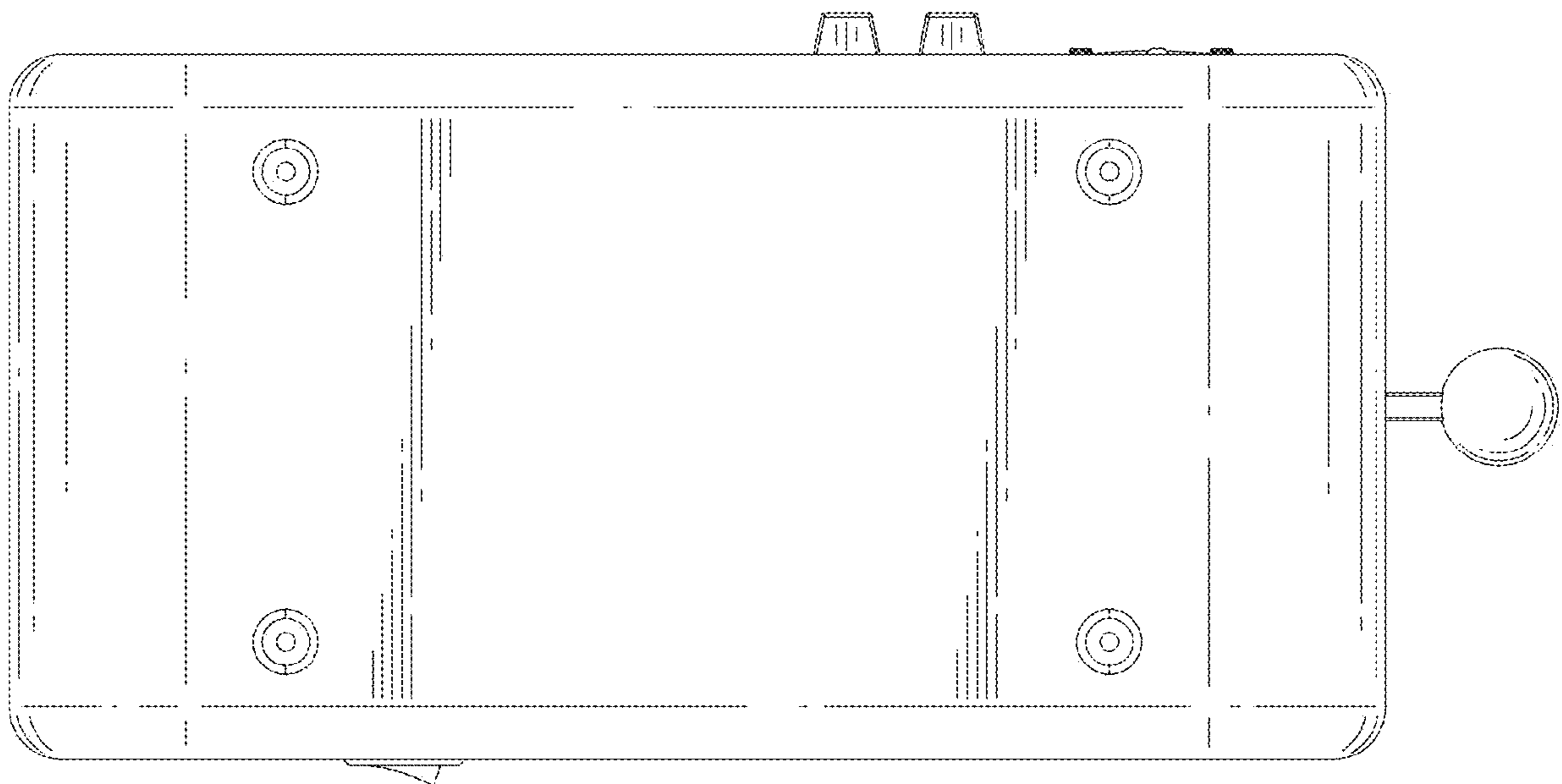


FIG. 8

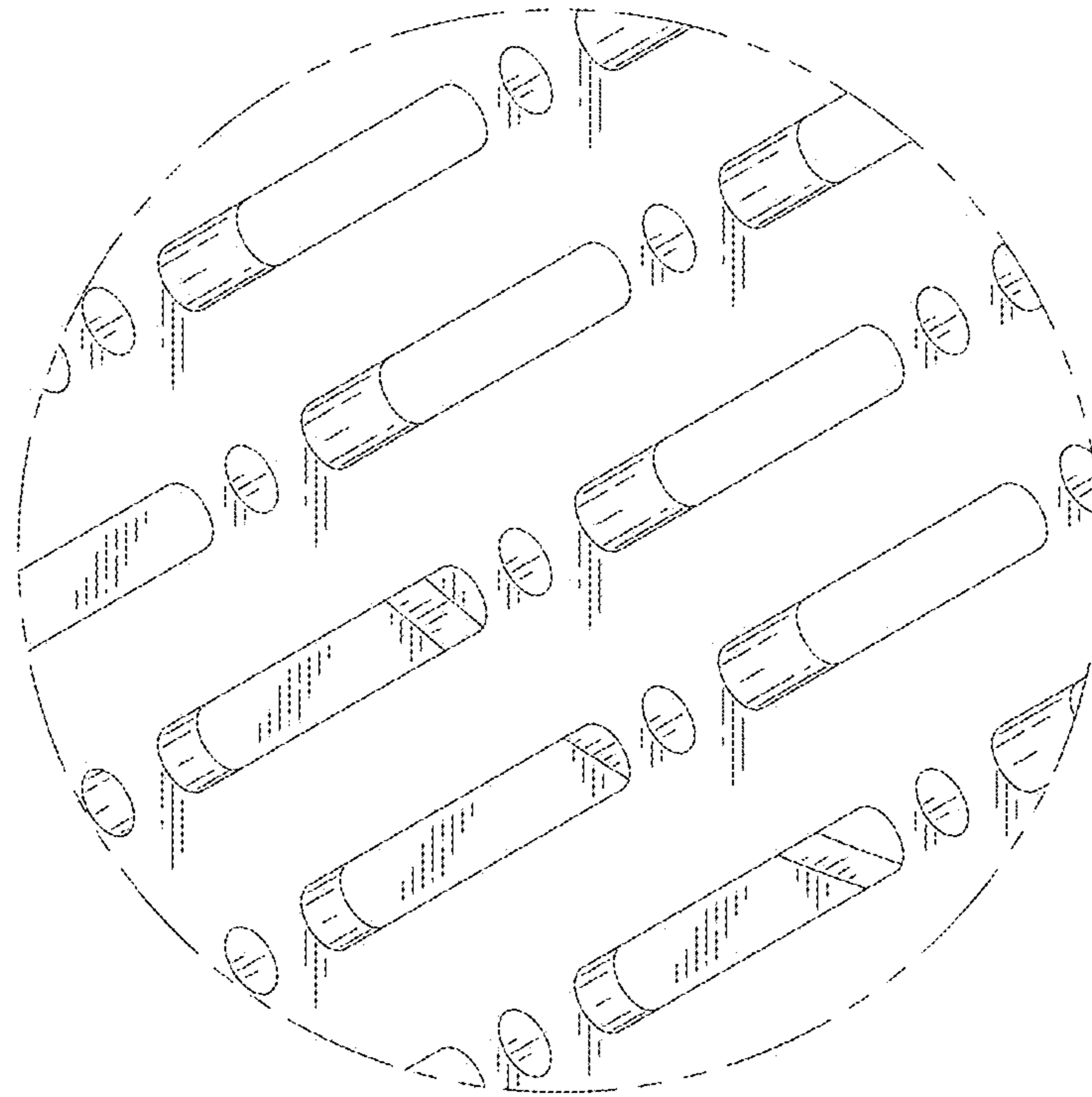


FIG. 9