



US00D956995S

(12) **United States Design Patent**
Xu et al.

(10) **Patent No.:** **US D956,995 S**

(45) **Date of Patent:** **** Jul. 5, 2022**

(54) **FOUR-FUNCTION MASSAGE HEAD**

(71) Applicant: **Zhejiang Jinbang Sports Equipment Co., Ltd., Zhejiang (CN)**

(72) Inventors: **Yongqiang Xu, Zhejiang (CN); Zhiyun Song, Zhejiang (CN)**

(73) Assignee: **Zhejiang Jinbang Sports Equipment Co., Ltd., Zhejiang (CN)**

(**) Term: **15 Years**

(21) Appl. No.: **29/766,781**

(22) Filed: **Jan. 19, 2021**

(30) **Foreign Application Priority Data**

Nov. 10, 2020 (CN) 202030677901.0

(51) **LOC (13) Cl.** **28-03**

(52) **U.S. Cl.**
USPC **D24/215**

(58) **Field of Classification Search**

USPC D24/194, 200, 211, 213, 214, 215;
D21/398, 412, 414, 418, 453, 455, 460,
D21/707, 712, 713; D30/160

CPC A61H 2015/0042; A61H 39/02; A61J
17/105; A63H 33/00

See application file for complete search history.

(56) **References Cited**

U.S. PATENT DOCUMENTS

D200,618 S * 3/1965 Proctor D24/194
D377,100 S * 12/1996 Gladieux, Jr. D24/211

D582,049 S * 12/2008 Ferber D24/214
D582,563 S * 12/2008 Ferber D24/214
D585,162 S * 1/2009 Partain D30/160
D700,755 S * 3/2014 Reiss D30/121
D751,258 S * 3/2016 Setser D30/160
D779,136 S * 2/2017 Eisenbarth D30/160
D899,609 S * 10/2020 Reynolds D24/194
D907,792 S * 1/2021 Marton D24/215

* cited by examiner

Primary Examiner — Michael A Maharajh

(74) *Attorney, Agent, or Firm* — JCIP GLOBAL INC.

(57) **CLAIM**

The ornamental design for a four-function massage head, as shown and described.

DESCRIPTION

FIG. 1 is a perspective view of a four-function massage head showing our new design;

FIG. 2 is a front view thereof;

FIG. 3 is a rear view thereof;

FIG. 4 is a left view thereof;

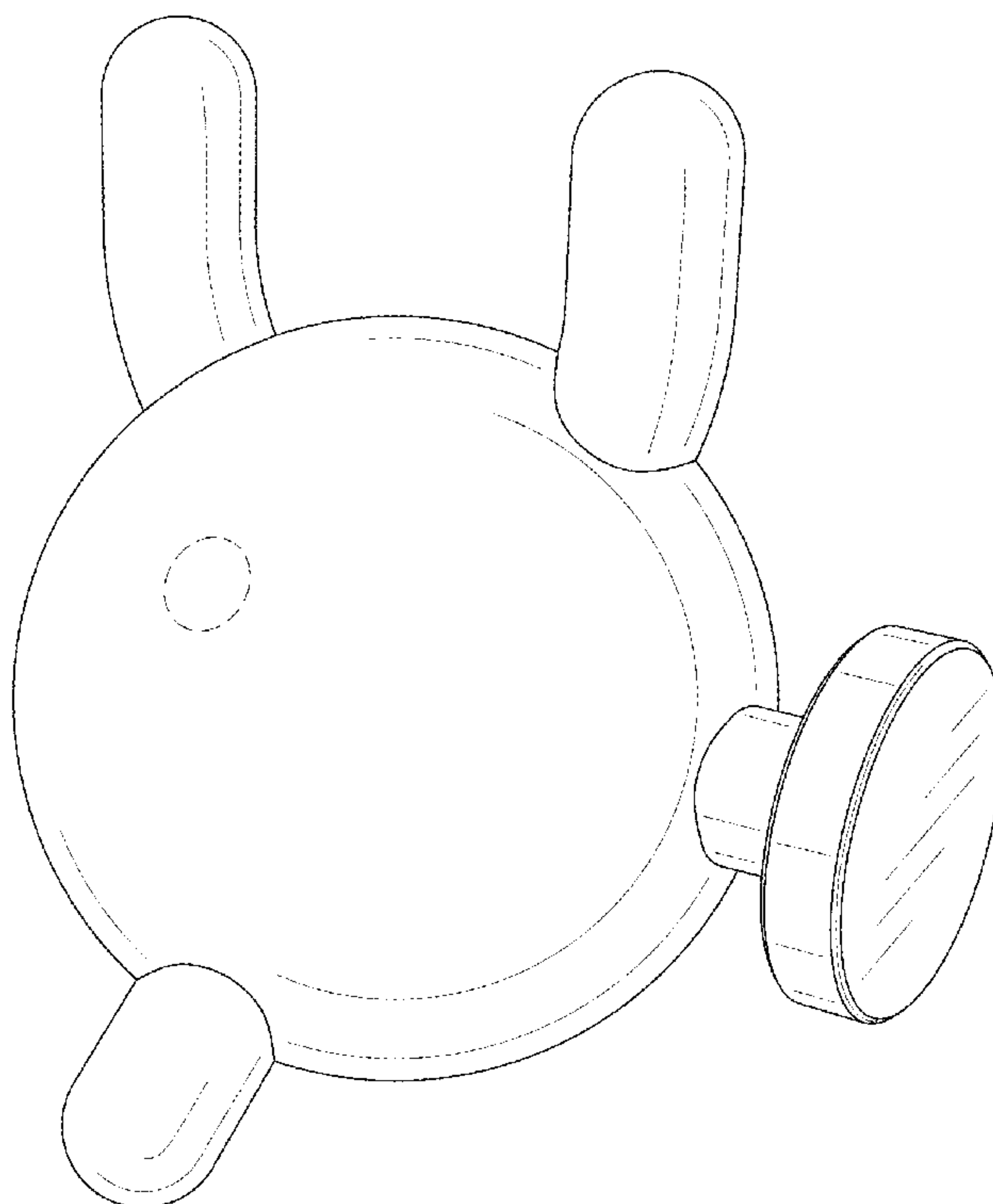
FIG. 5 is a right view thereof;

FIG. 6 is a top view thereof; and,

FIG. 7 is a bottom view thereof.

The broken line portions of the four-function massage head in FIGS. 1-7 represent unclaimed portions of the claimed design and form no part thereof.

1 Claim, 7 Drawing Sheets



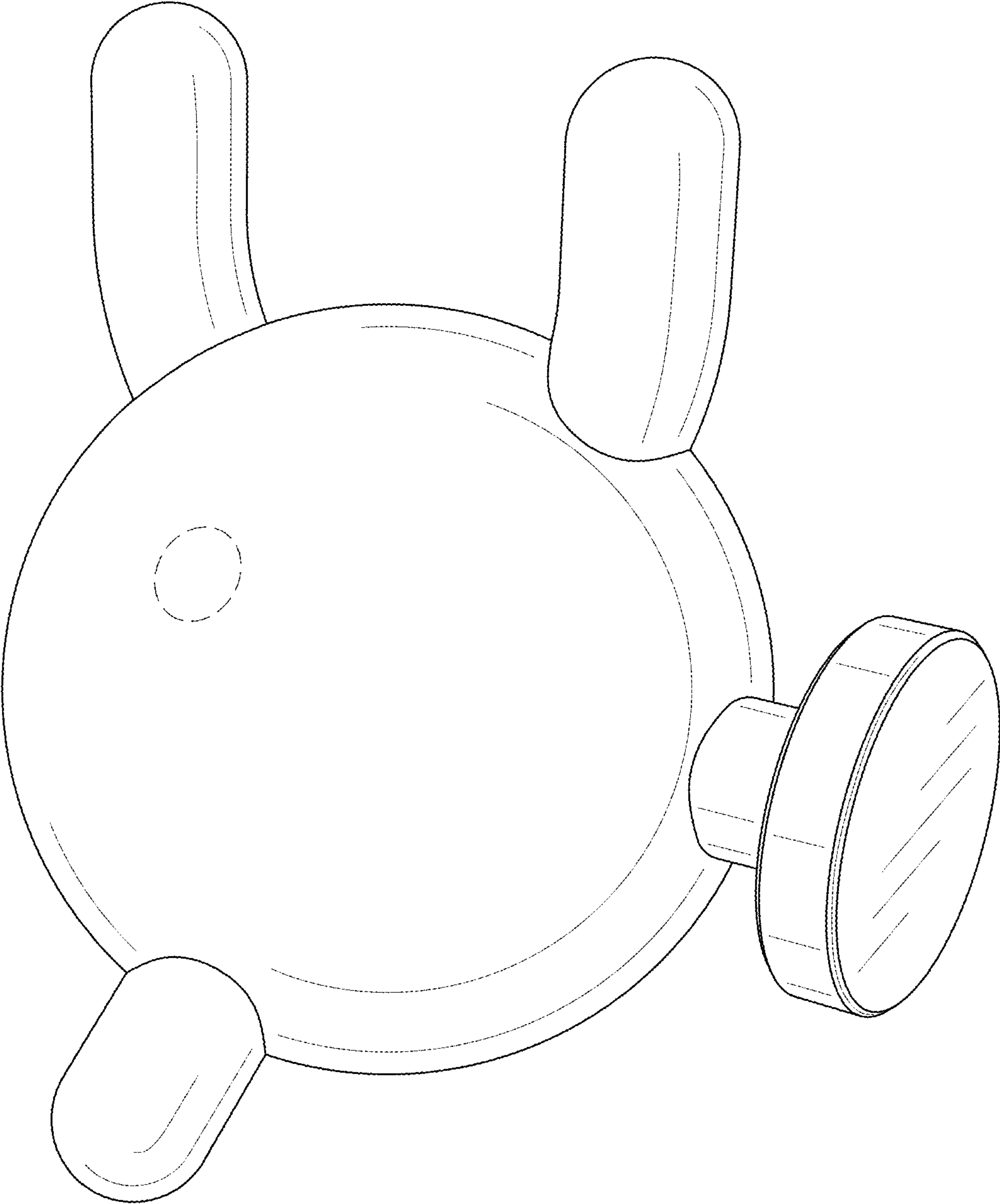


FIG. 1

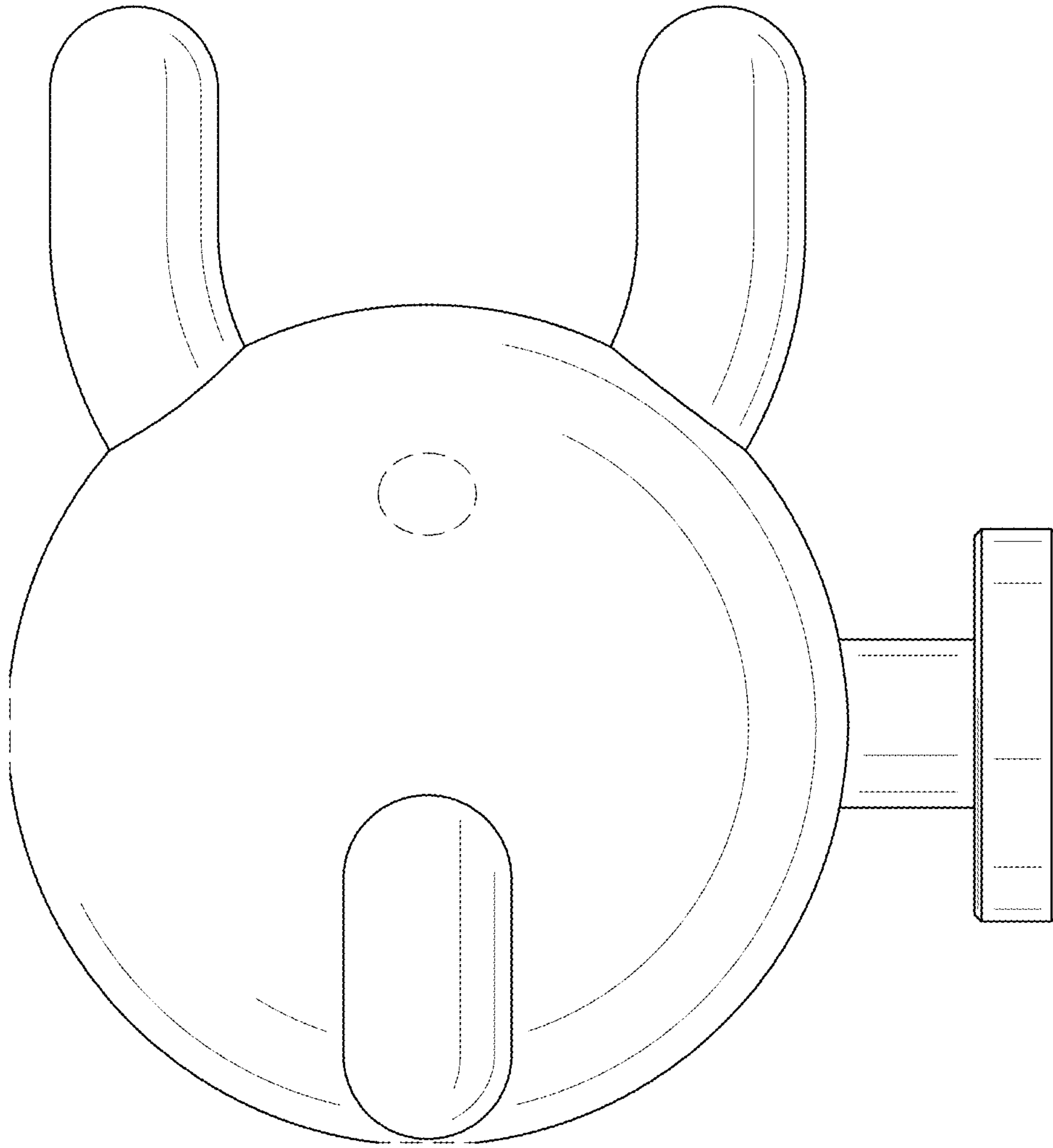


FIG. 2

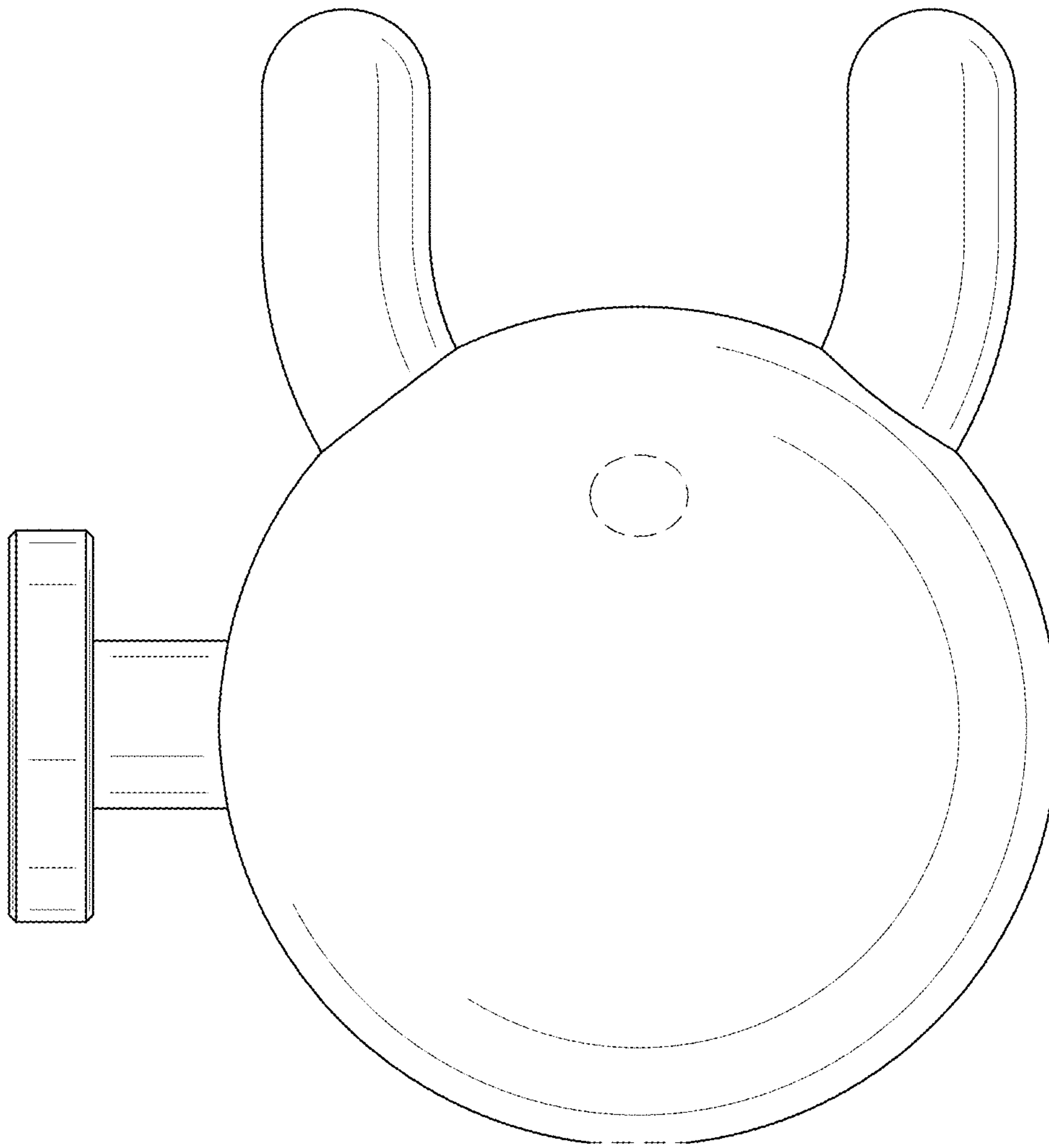


FIG. 3

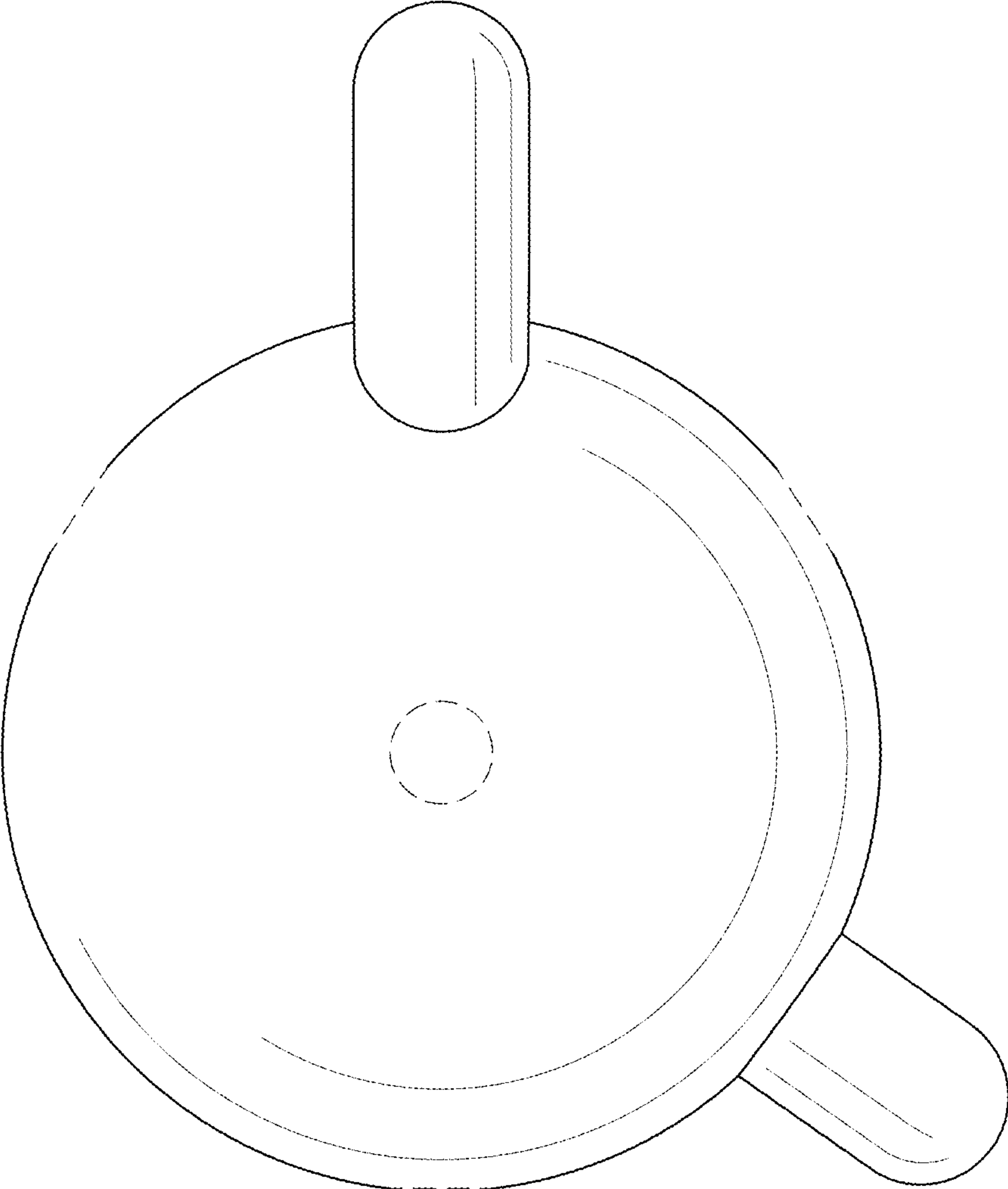


FIG. 4

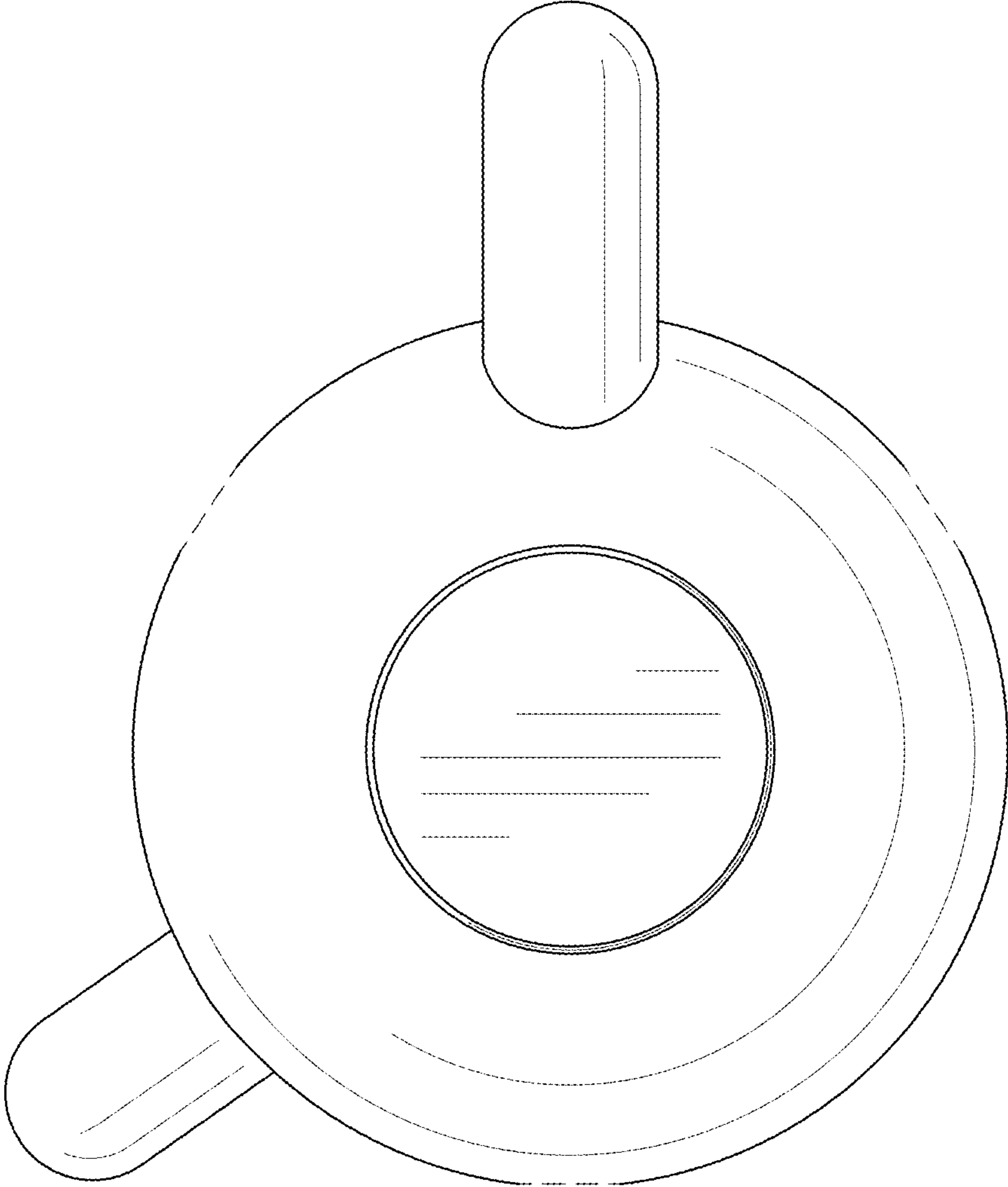


FIG. 5

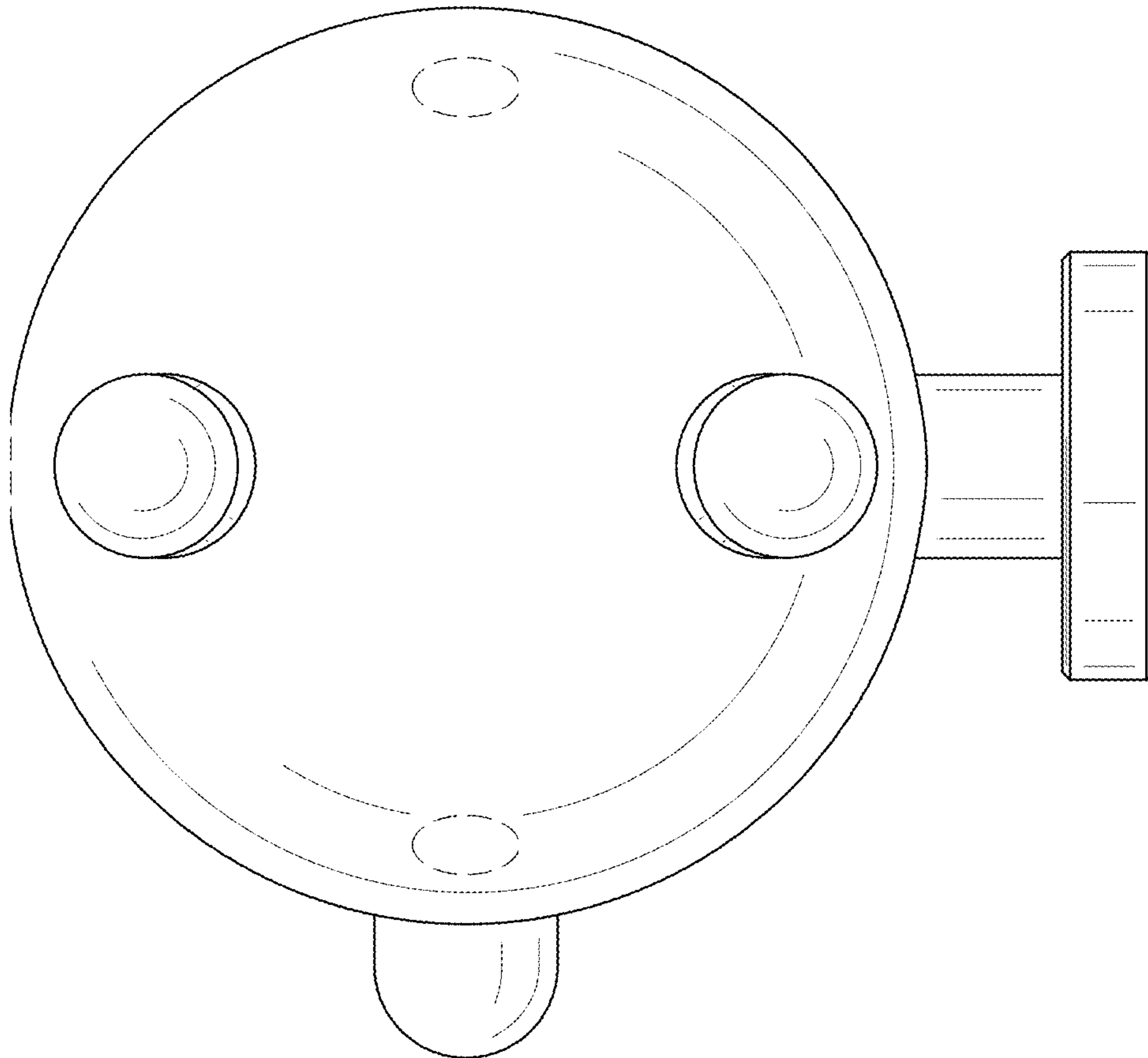


FIG. 6

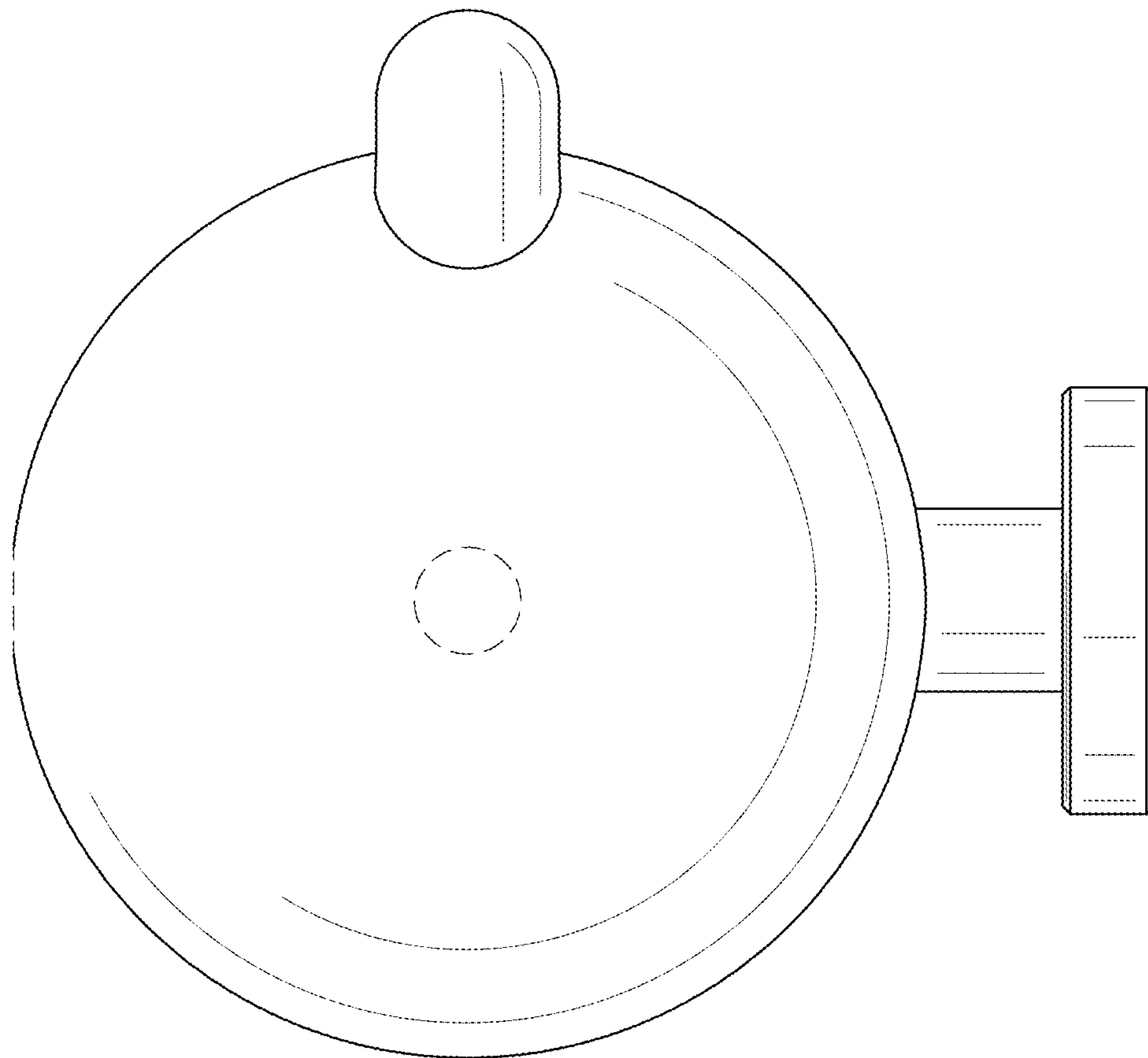


FIG. 7