



US00D956994S

(12) **United States Design Patent**
Marzolf et al.

(10) **Patent No.:** **US D956,994 S**

(45) **Date of Patent:** **** Jul. 5, 2022**

(54) **MASSAGER HANDLE**

(71) Applicant: **Addaday, Inc.**, Los Angeles, CA (US)

(72) Inventors: **Leo Boris Marzolf**, San Francisco, CA (US); **David Jason Wilkins**, Truckee, CA (US); **Robyn Alley**, San Francisco, CA (US); **Nikolay Sergeevich Vladimirov**, San Francisco, CA (US); **Marcelle Nadine Yvette van Beusekom**, Oakland, CA (US); **Juho Tapio Parviainen**, San Rafael, CA (US); **Nikolaj Dam Roadley-Battin**, San Francisco, CA (US); **Victor Yang**, Santa Monica, CA (US)

(**) Term: **15 Years**

(21) Appl. No.: **29/765,047**

(22) Filed: **Jan. 5, 2021**

(51) **LOC (13) Cl.** **28-03**

(52) **U.S. Cl.**
USPC **D24/215**

(58) **Field of Classification Search**
USPC D24/133, 188, 200, 211, 212, 213, 214,
D24/215; D28/44, 56, 58; D10/57
CPC A61B 2017/00761; A61B 2018/00458;
A61H 7/008
See application file for complete search history.

(56) **References Cited**

U.S. PATENT DOCUMENTS

D609,817 S * 2/2010 Piller D24/215
D652,919 S * 1/2012 Sherwood D24/133

D695,903 S * 12/2013 Tamsiran D24/209
D734,479 S * 7/2015 Youngquist D24/158
D742,003 S * 10/2015 Tasar D24/146
D759,831 S * 6/2016 Levi D24/200
D787,083 S * 5/2017 Ely D24/209
D794,854 S * 8/2017 Zepter D26/45
D797,302 S * 9/2017 Vahlensieck D24/209
D850,638 S * 6/2019 Cha D24/200
D855,818 S * 8/2019 Kymm D24/209
D891,948 S * 8/2020 Chen D10/57
D901,030 S * 11/2020 Yoon D24/209
D901,031 S * 11/2020 Yoon D24/209
D907,789 S * 1/2021 Shenfarber D24/209
D908,232 S * 1/2021 Shenfarber D24/209
D914,898 S * 3/2021 Britt D24/214

* cited by examiner

Primary Examiner — Michael A Maharajh
(74) *Attorney, Agent, or Firm* — Novian & Novian LLP;
Michael O'Brien

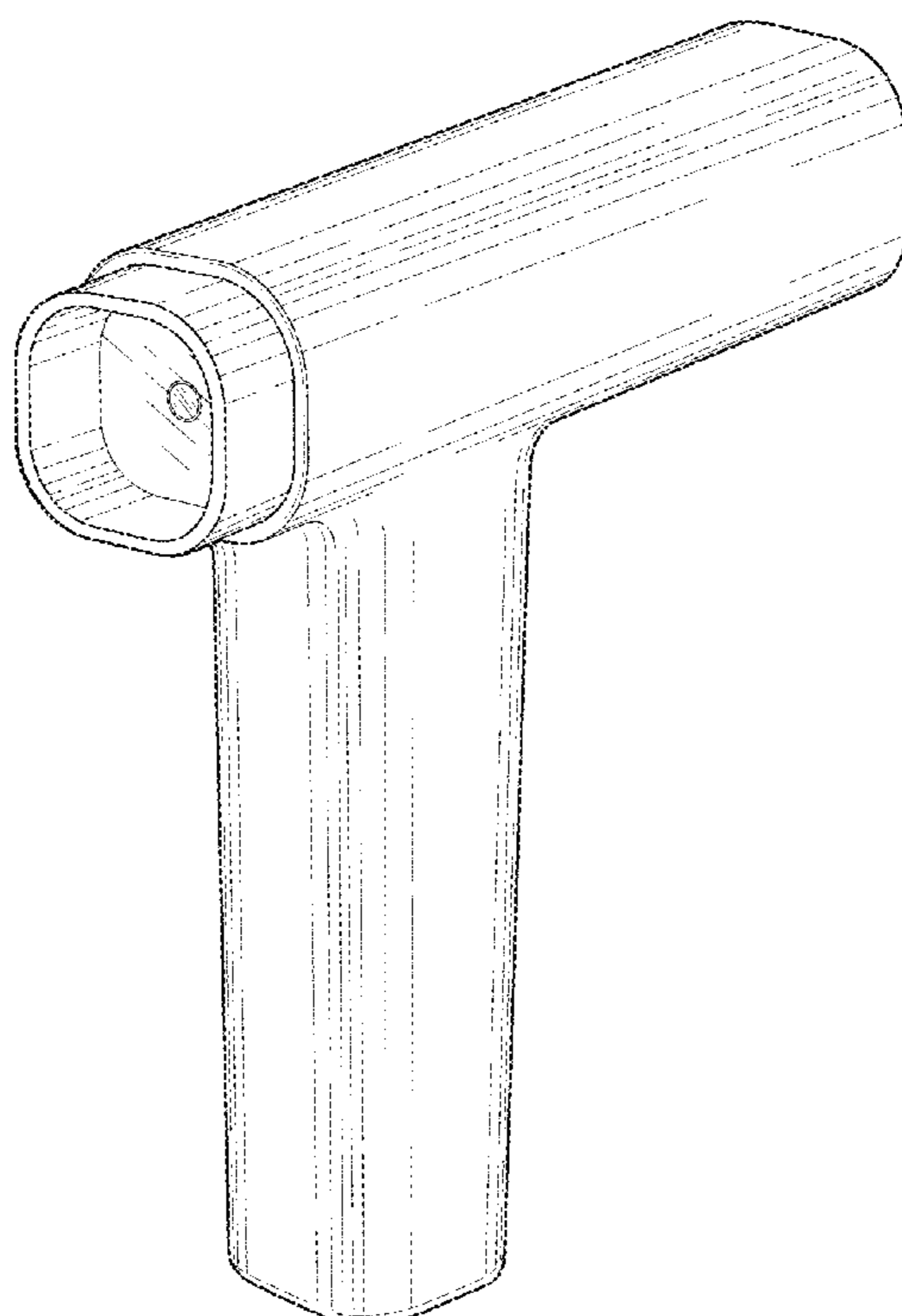
(57) **CLAIM**

The ornamental design for a massager handle, as shown and described.

DESCRIPTION

FIG. 1 is a top perspective view of a massager handle, showing our new design.
FIG. 2 is a right side view thereof.
FIG. 3 is a left side view thereof.
FIG. 4 is a front view thereof.
FIG. 5 is a back view thereof.
FIG. 6 is a top view thereof; and,
FIG. 7 is a bottom view thereof.

1 Claim, 7 Drawing Sheets



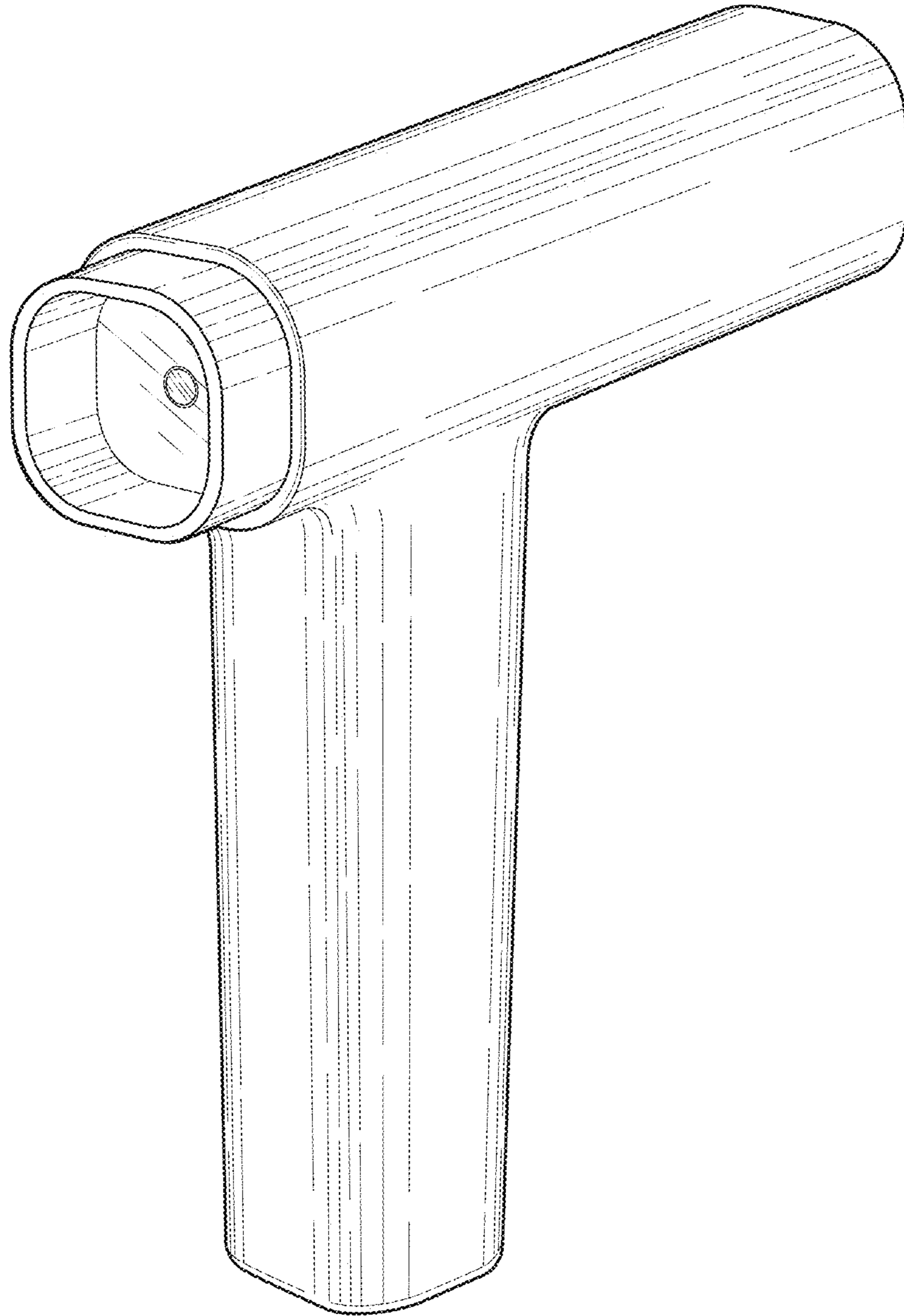


Fig. 1

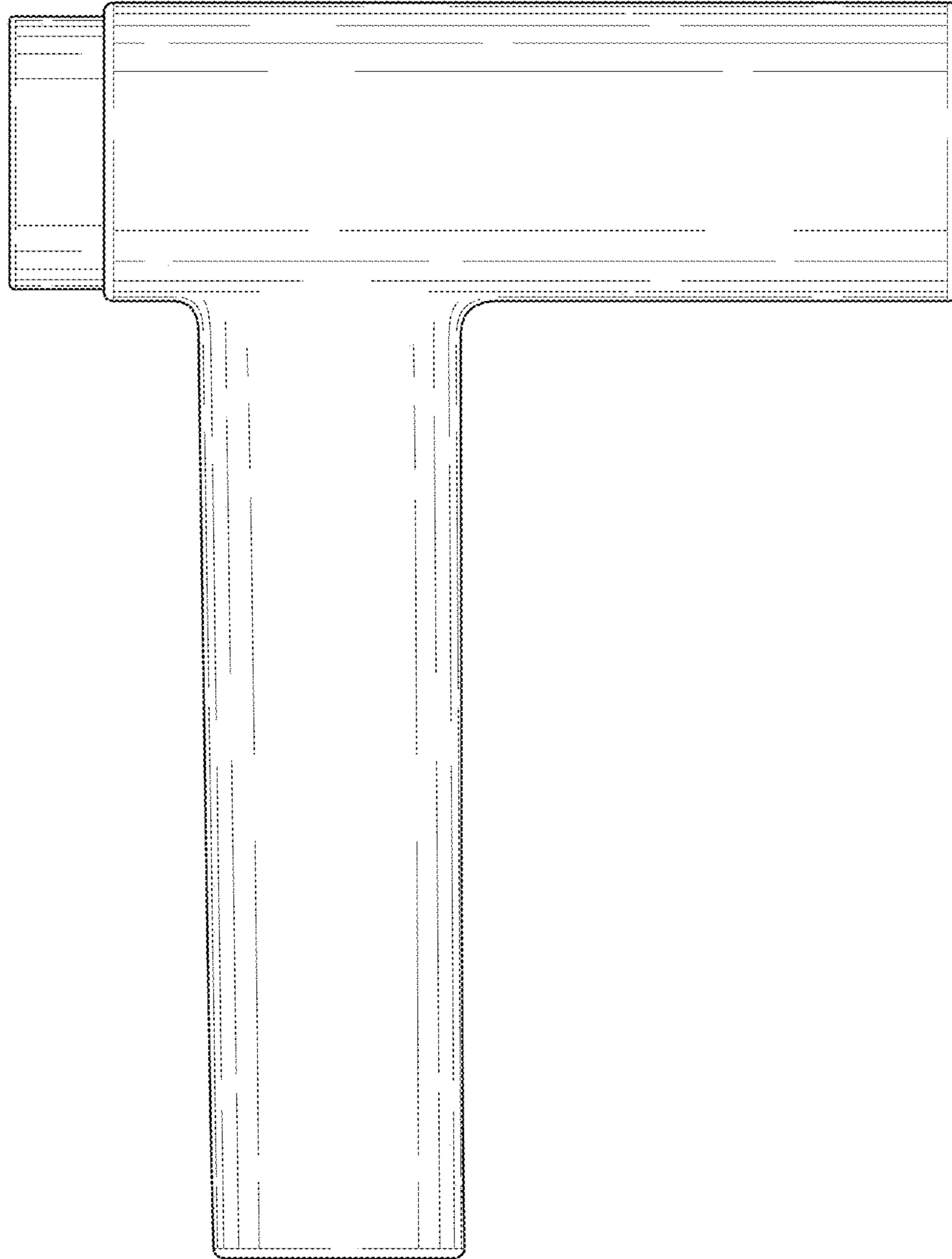


Fig.2

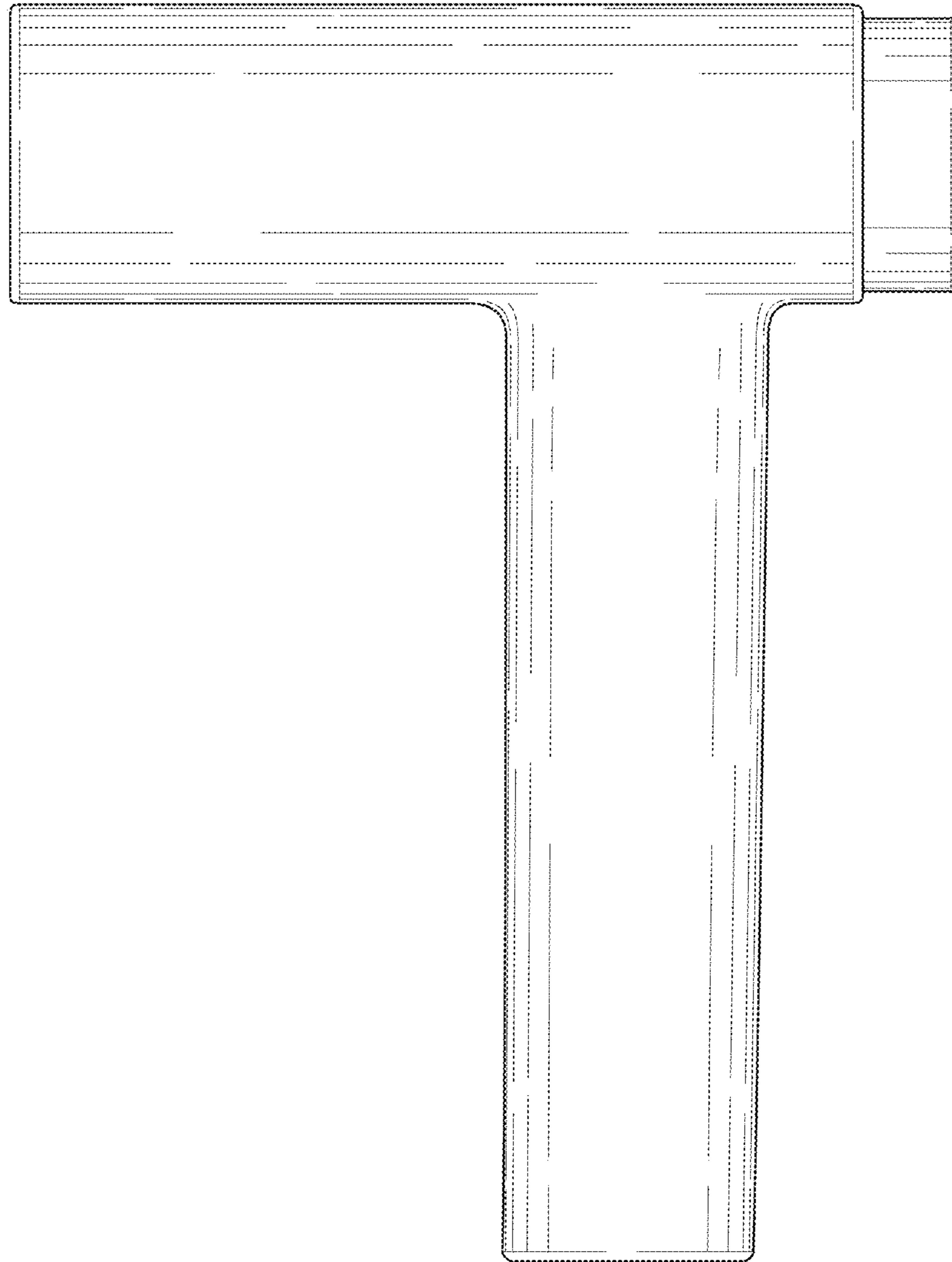


Fig.3

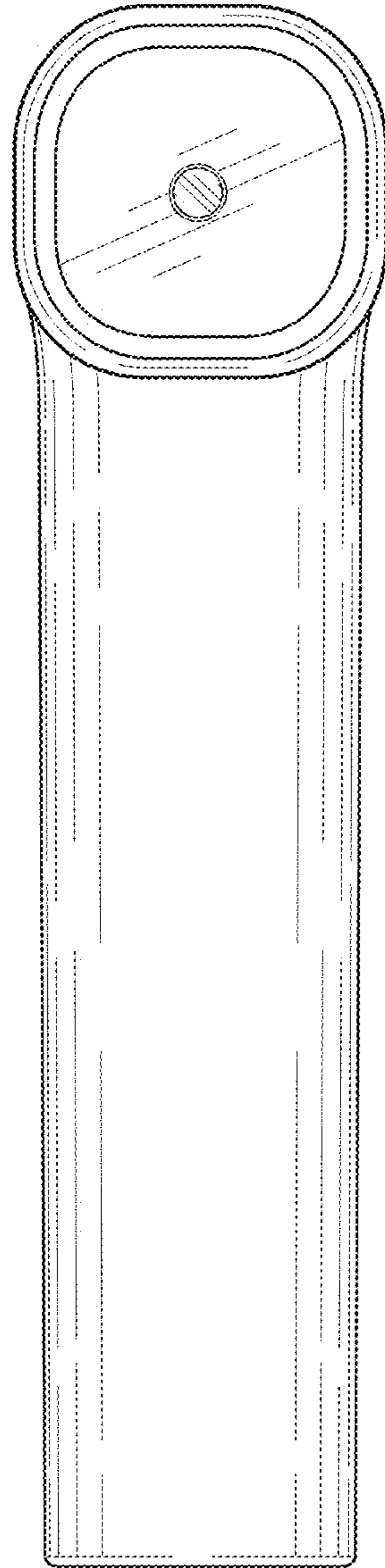


Fig.4

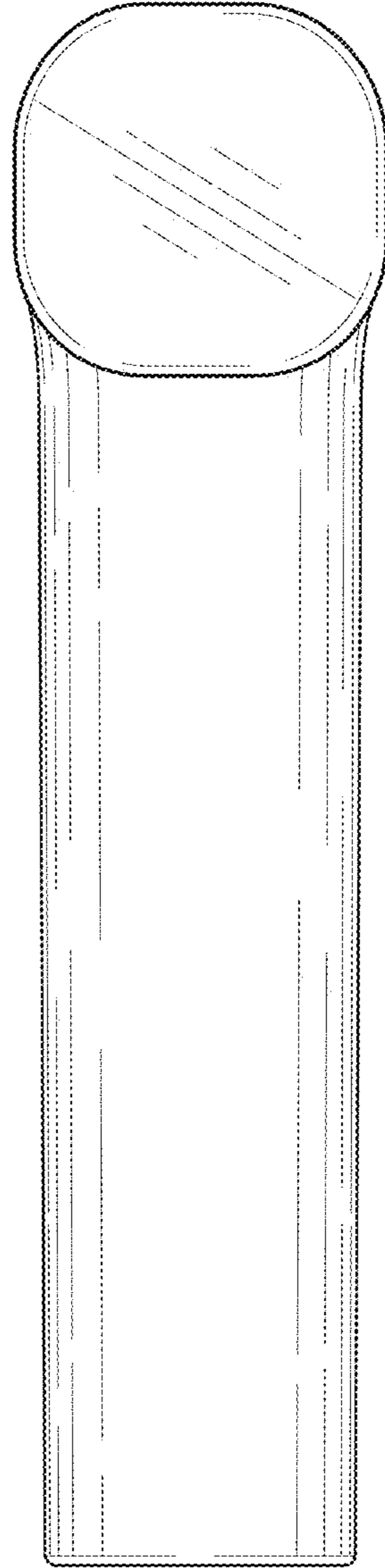


Fig.5

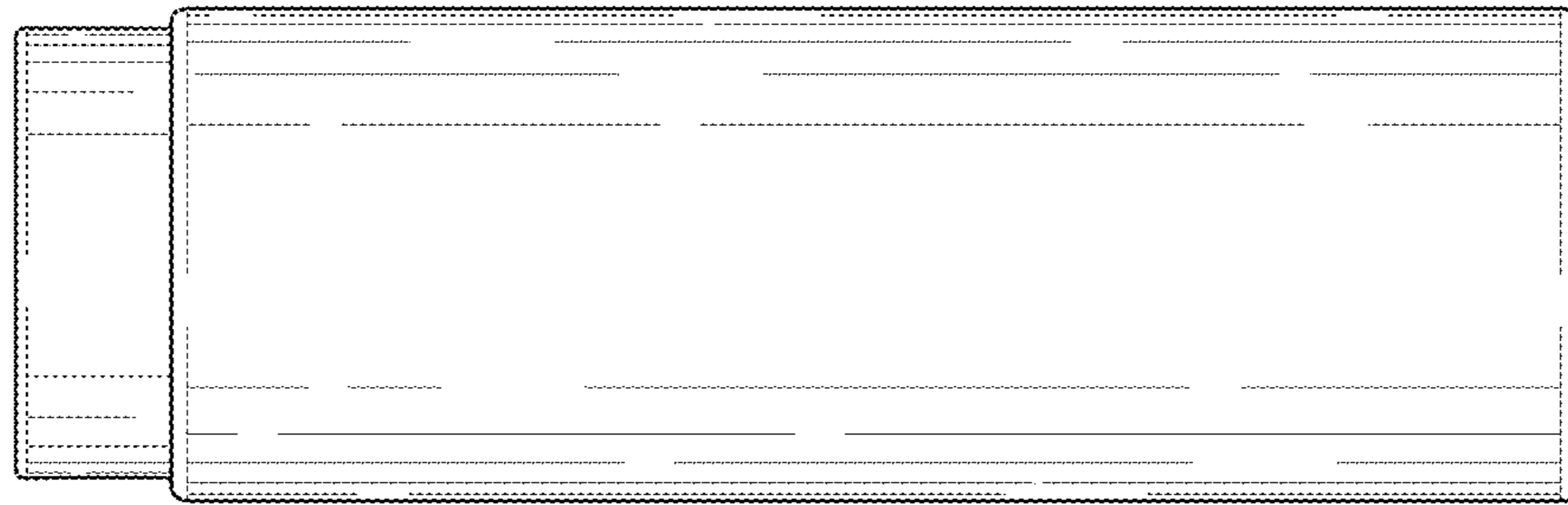


Fig.6

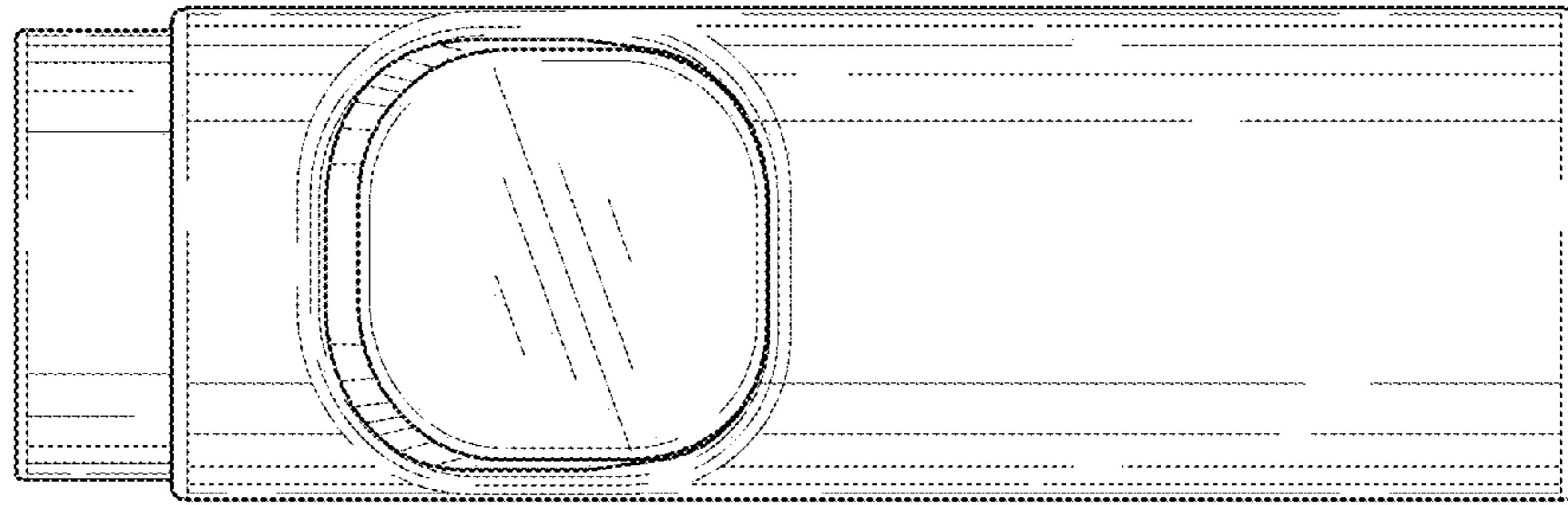


Fig. 7