



US00D956992S

(12) **United States Design Patent**
Lin

(10) **Patent No.:** **US D956,992 S**
(45) **Date of Patent:** **** Jul. 5, 2022**

(54) **FASCIA MASSAGE GUN**
(71) Applicant: **Enterecos (Guangdong) Technologies Co. Ltd., Zhongshan (CN)**
(72) Inventor: **Hanyong Lin, Zhongshan (CN)**
(73) Assignee: **ENTERECOS (GUANGDONG) TECHNOLOGIES CO. LTD., Zhongshan (CN)**

(**) Term: **15 Years**

(21) Appl. No.: **29/752,818**

(22) Filed: **Sep. 29, 2020**

(51) **LOC (13) Cl.** **28-03**

(52) **U.S. Cl.**
USPC **D24/215**

(58) **Field of Classification Search**
USPC D24/215, 200, 211, 212, 213, 214, 133, D24/107, 231, 184; D8/14.1, 61; D28/12, 13
CPC A61H 15/00; A61H 2015/0007; A61H 2015/0042; A61H 15/0092; A61H 15/0078; A61H 15/0085; A61H 23/00; A61H 23/006; A61H 2023/002; A61H 23/02; A61H 2201/0153; A61H 7/00; A61H 7/003; A61H 7/004; A61H 7/005; A61H 9/00; A61H 2205/06

See application file for complete search history.

(56) **References Cited**

U.S. PATENT DOCUMENTS

D288,841 S *	3/1987	Steinel	D28/13
D829,519 S *	10/2018	Teraoka	D8/29.1
D895,133 S *	9/2020	Xu	D24/215
D895,135 S *	9/2020	Xu	D24/215
D895,831 S *	9/2020	Chen	D24/215
D899,620 S *	10/2020	Huang	D24/215
D907,229 S *	1/2021	Zhang	D24/215
D907,230 S *	1/2021	Zhang	D24/215

D908,908 S *	1/2021	Xu	D24/215
D921,917 S *	6/2021	Xu	D24/215
D932,039 S *	9/2021	Yu	D24/215

OTHER PUBLICATIONS

Red Dot Design Massage Gun. Date: Not listed, [online]. [Site visited Apr. 13, 2022]. Available from Internet URL: <https://www.red-dot.org/ko/project/massage-gun-51610> (Year: NA).*
Tamda—Massage Gun. Date: Jan. 9, 2020. [online]. [Site visited Apr. 13, 2022]. Available from Internet URL: <https://www.amazon.co.uk/dp/B083NBVP8Q> (Year: 2020).*
Massage Guns. (Design—© Questel) orbit.com. [Online PDF compilation of references] 18 pgs. Print Dates Range Feb. 19, 2020-Jun. 5, 2020 [Retrieved Apr. 13, 2022] <https://www.orbit.com/export/UCZAH96B/pdf4/60da9e58-fa08-4eff-aecd-73b7ee2244e5-183931.pdf> (Year: 2022).*

* cited by examiner

Primary Examiner — Susan Bennett Hattan
Assistant Examiner — Landon Thomas Cassell
(74) *Attorney, Agent, or Firm* — McClure, Qualey & Rodack, LLP

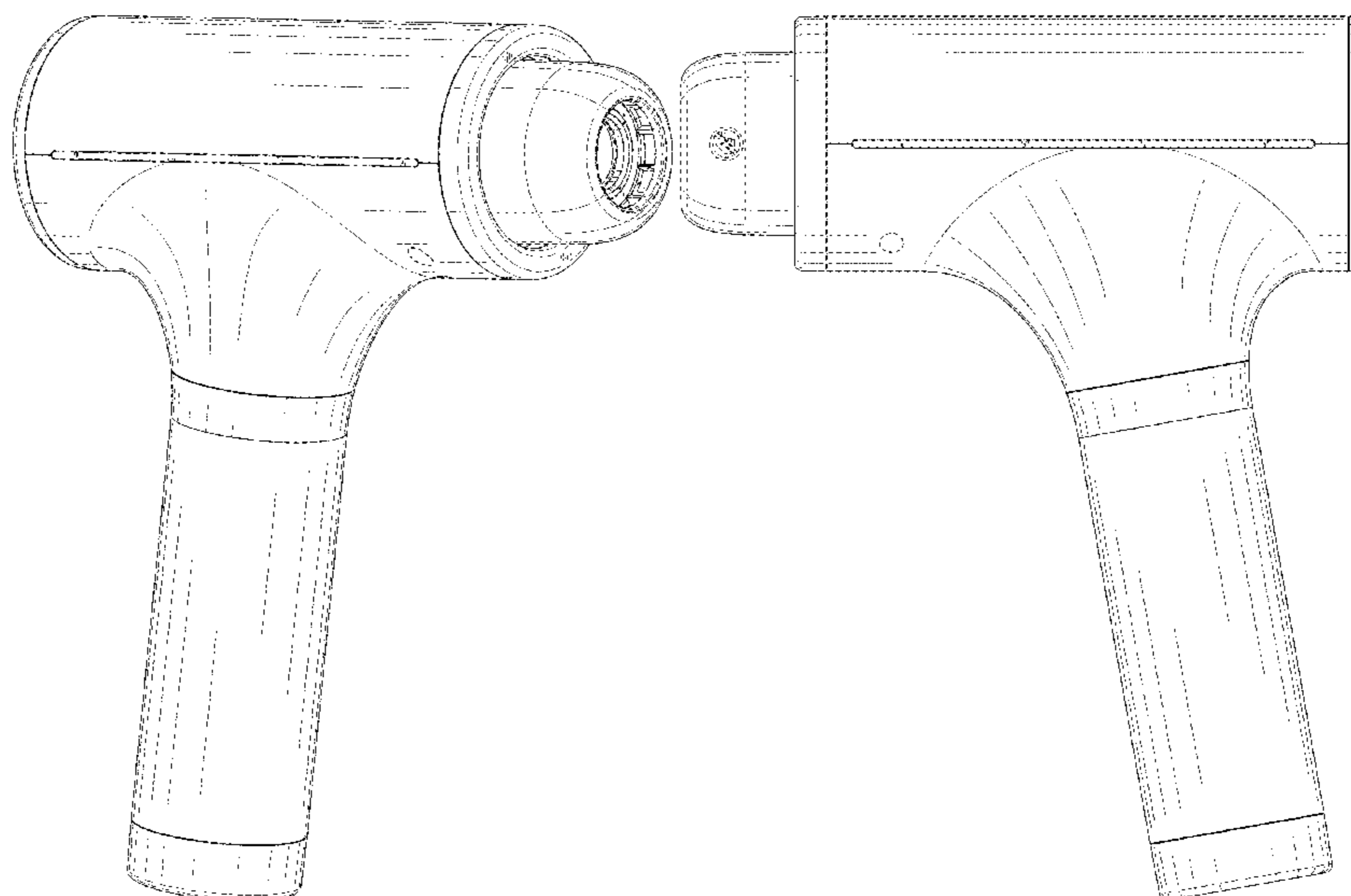
(57) **CLAIM**

The ornamental design for a fascia massage gun, as shown and described.

DESCRIPTION

FIG. 1 is a perspective view of a fascia massage gun; FIG. 2 is a front elevational view thereof; FIG. 3 is a rear elevational view thereof; FIG. 4 is a left side elevational view thereof; FIG. 5 is a right side elevational view thereof; FIG. 6 is a top plan view thereof; FIG. 7 is a bottom plan view thereof; and, FIG. 8 is another perspective view of the fascia massage gun. The broken lines shown in the figures illustrate portions of the fascia massage gun that form no part of the claimed design.

1 Claim, 8 Drawing Sheets



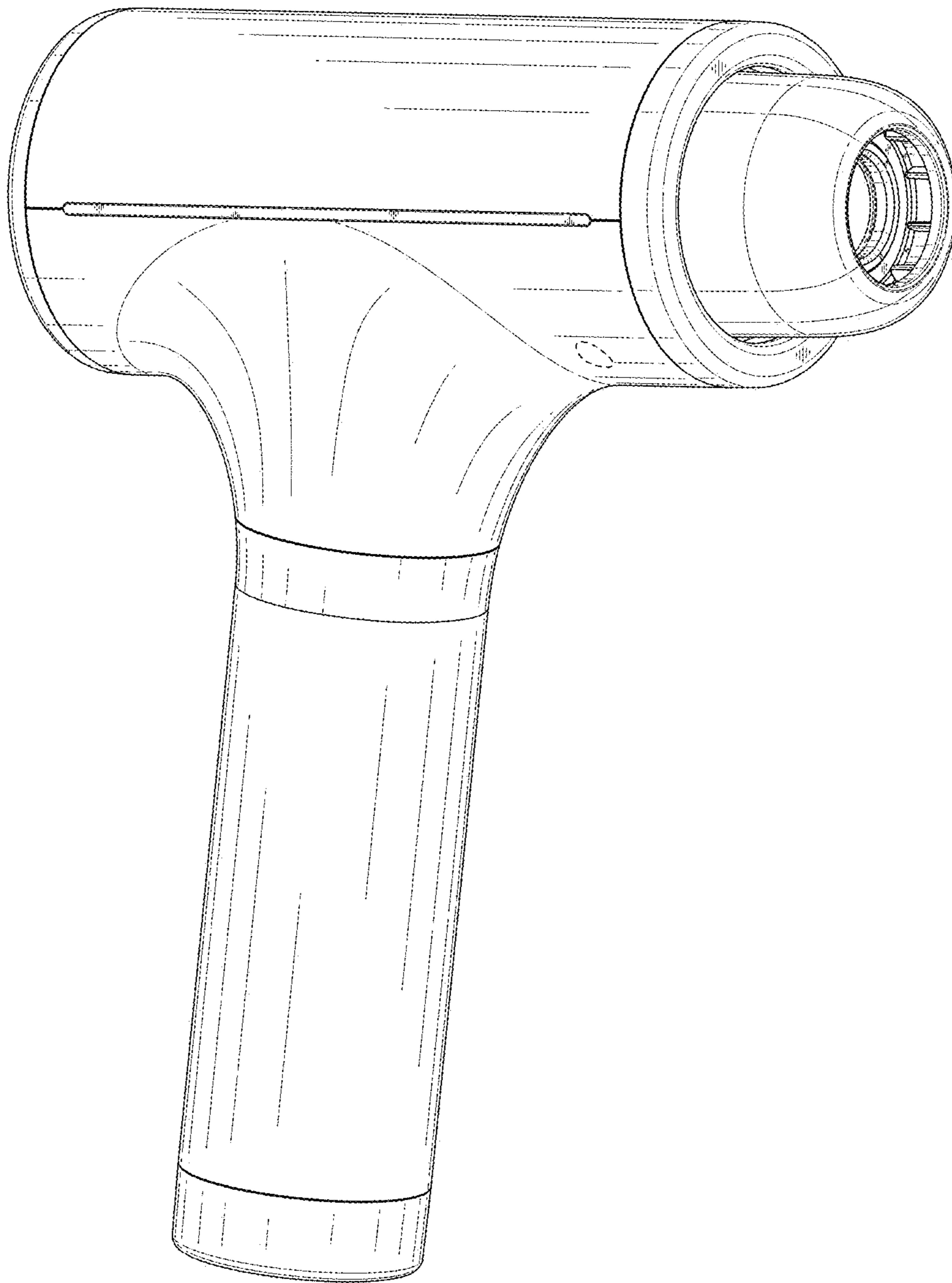


FIG.1

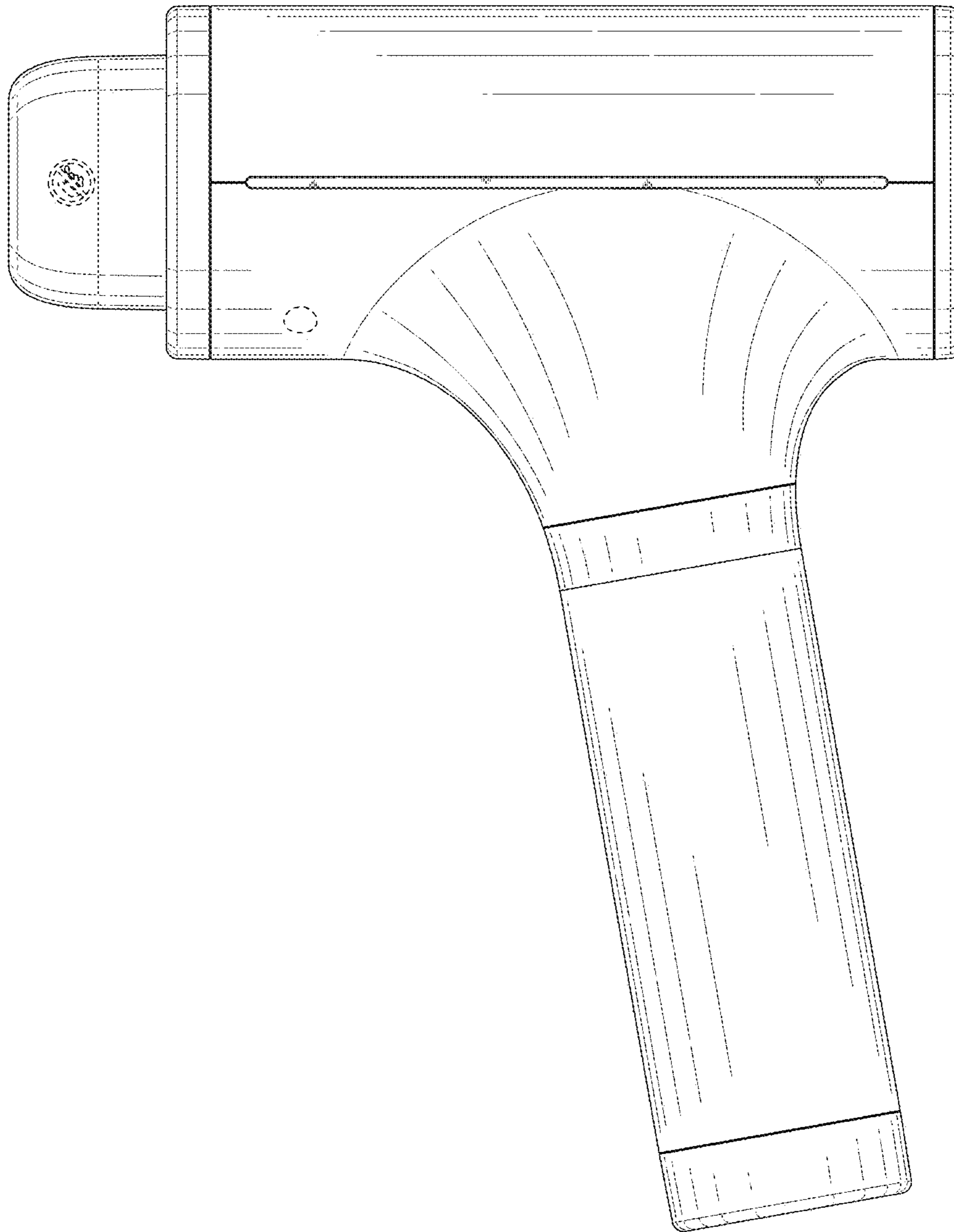


FIG.2

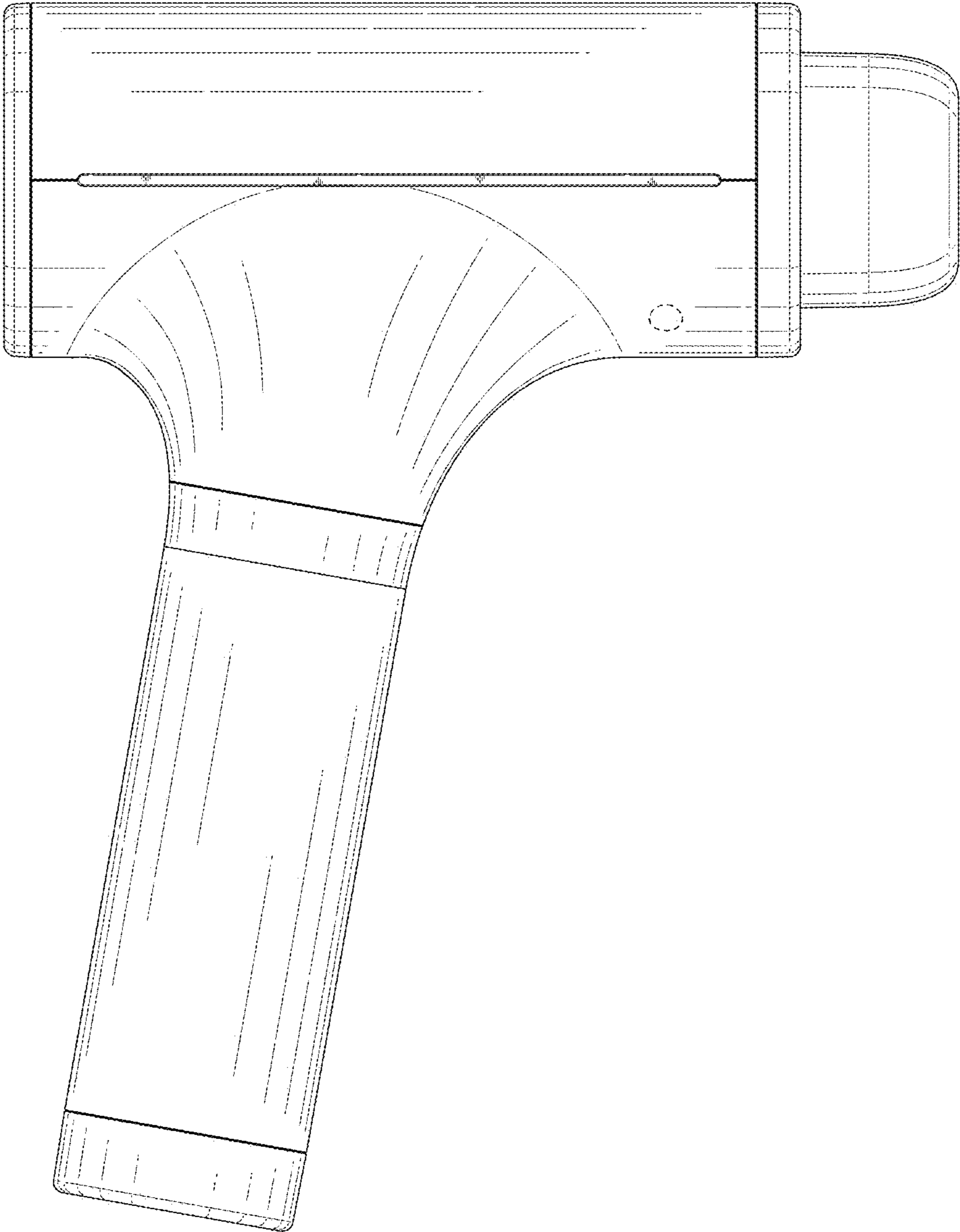


FIG.3

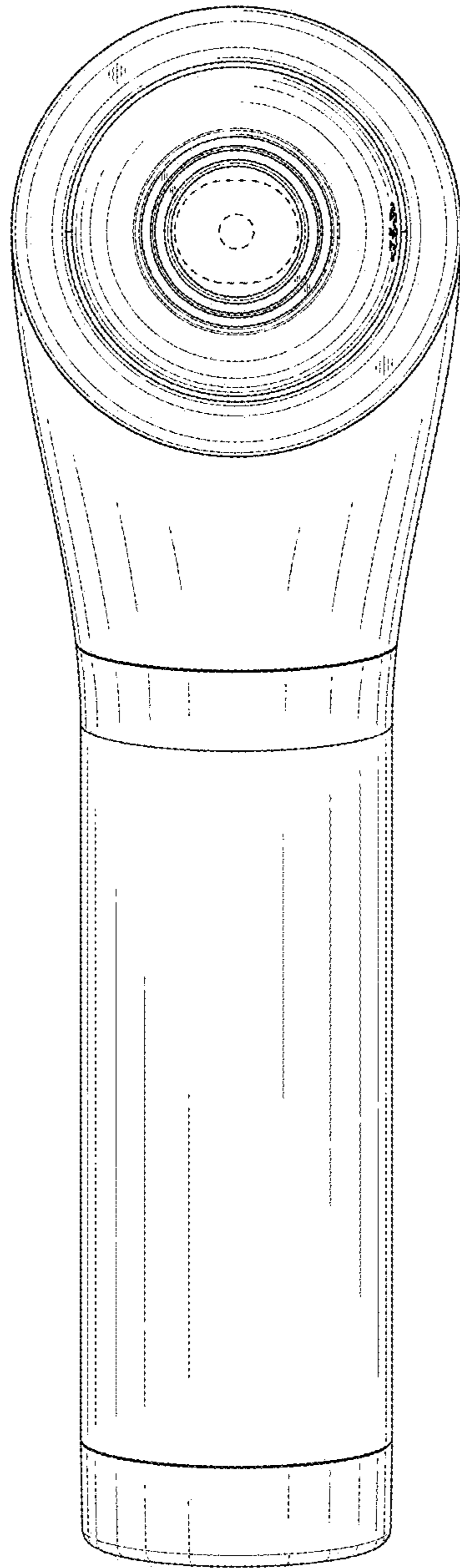


FIG. 4

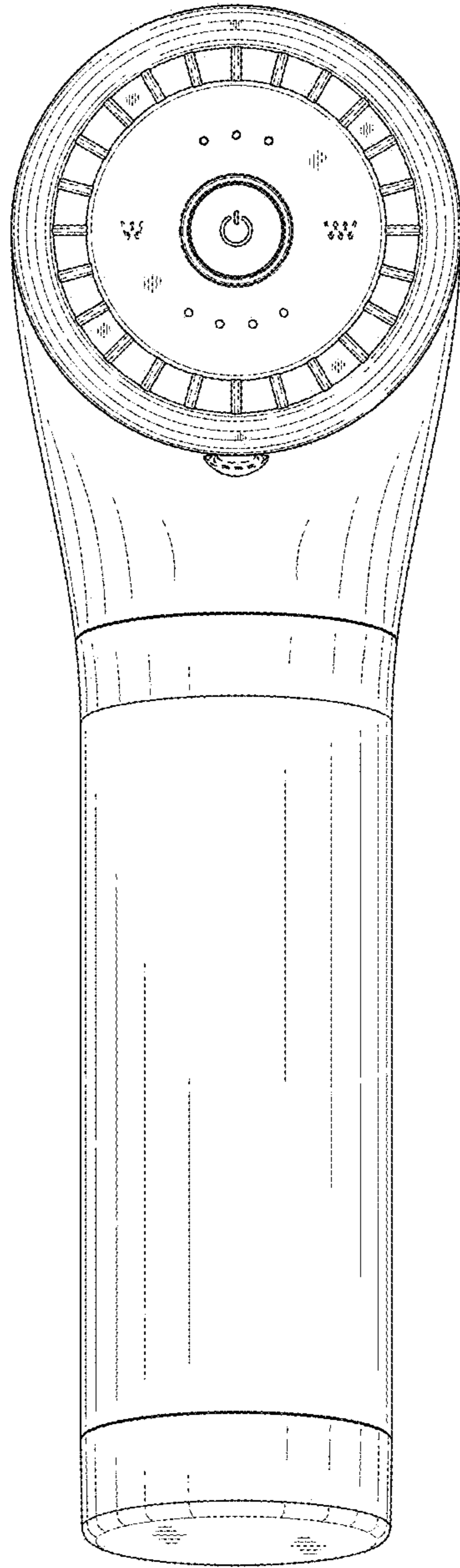


FIG.5

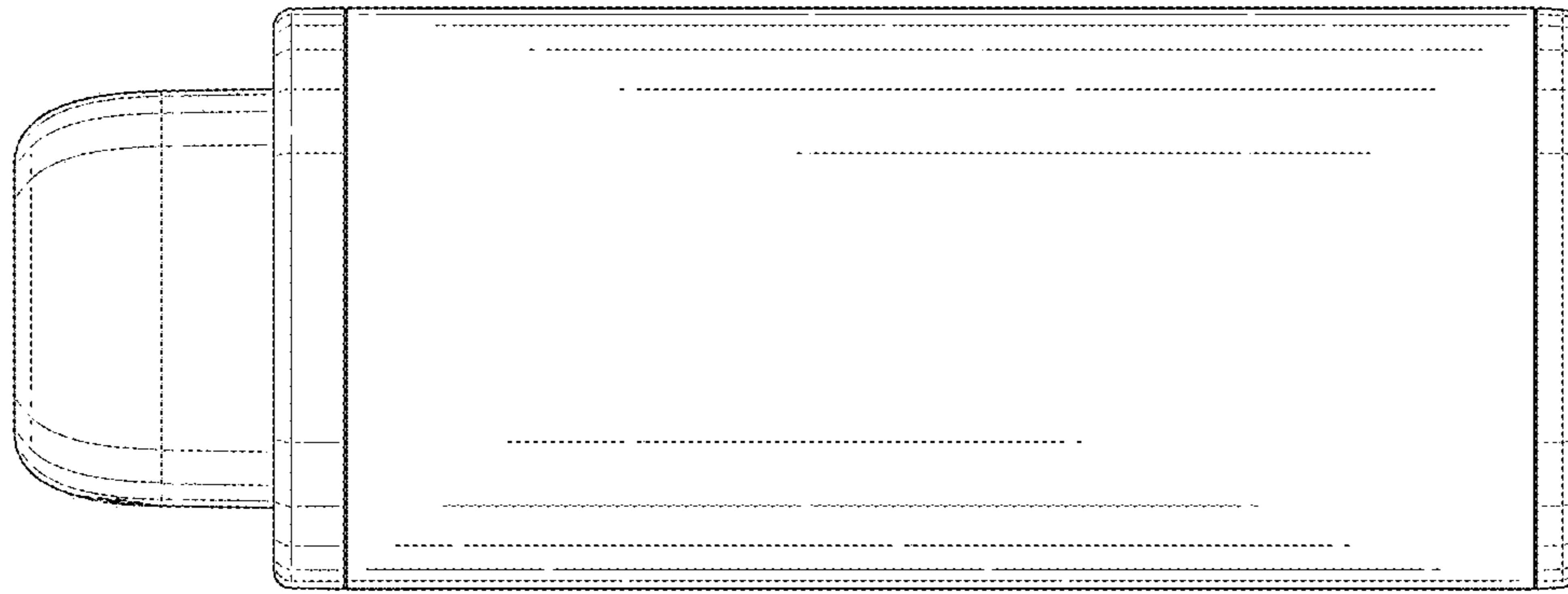


FIG.6

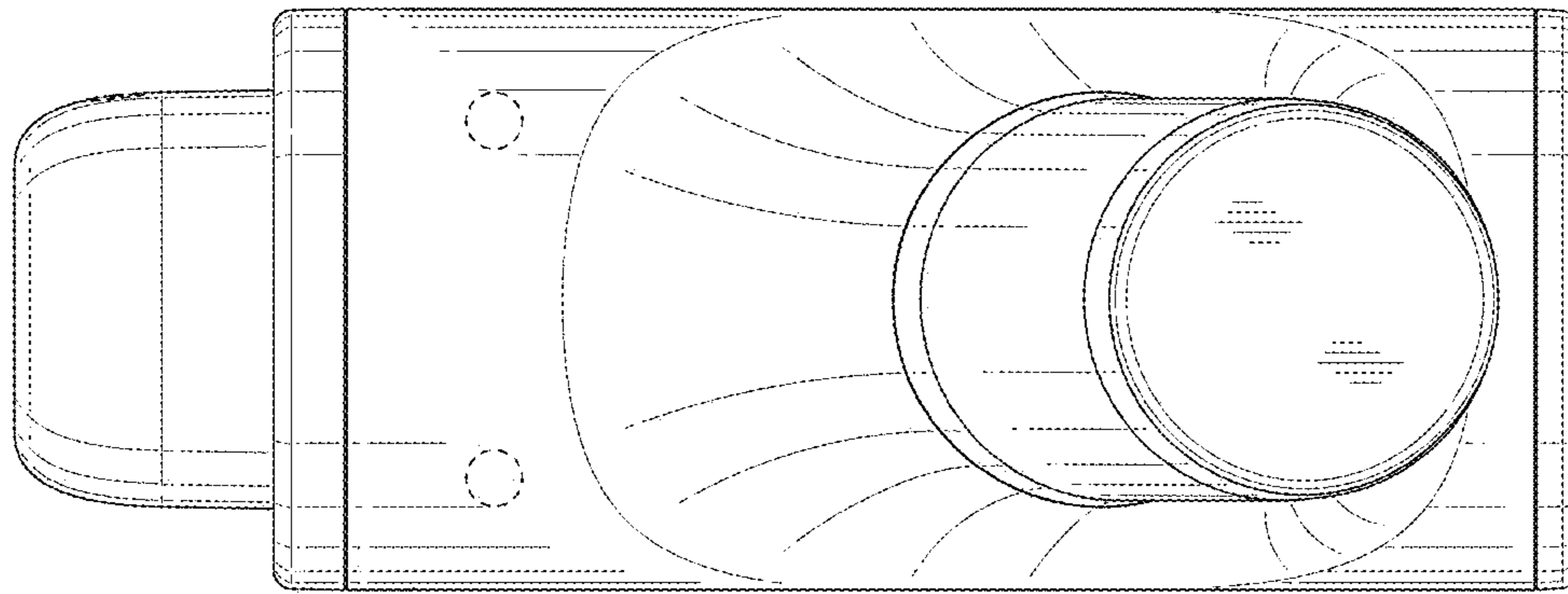


FIG.7

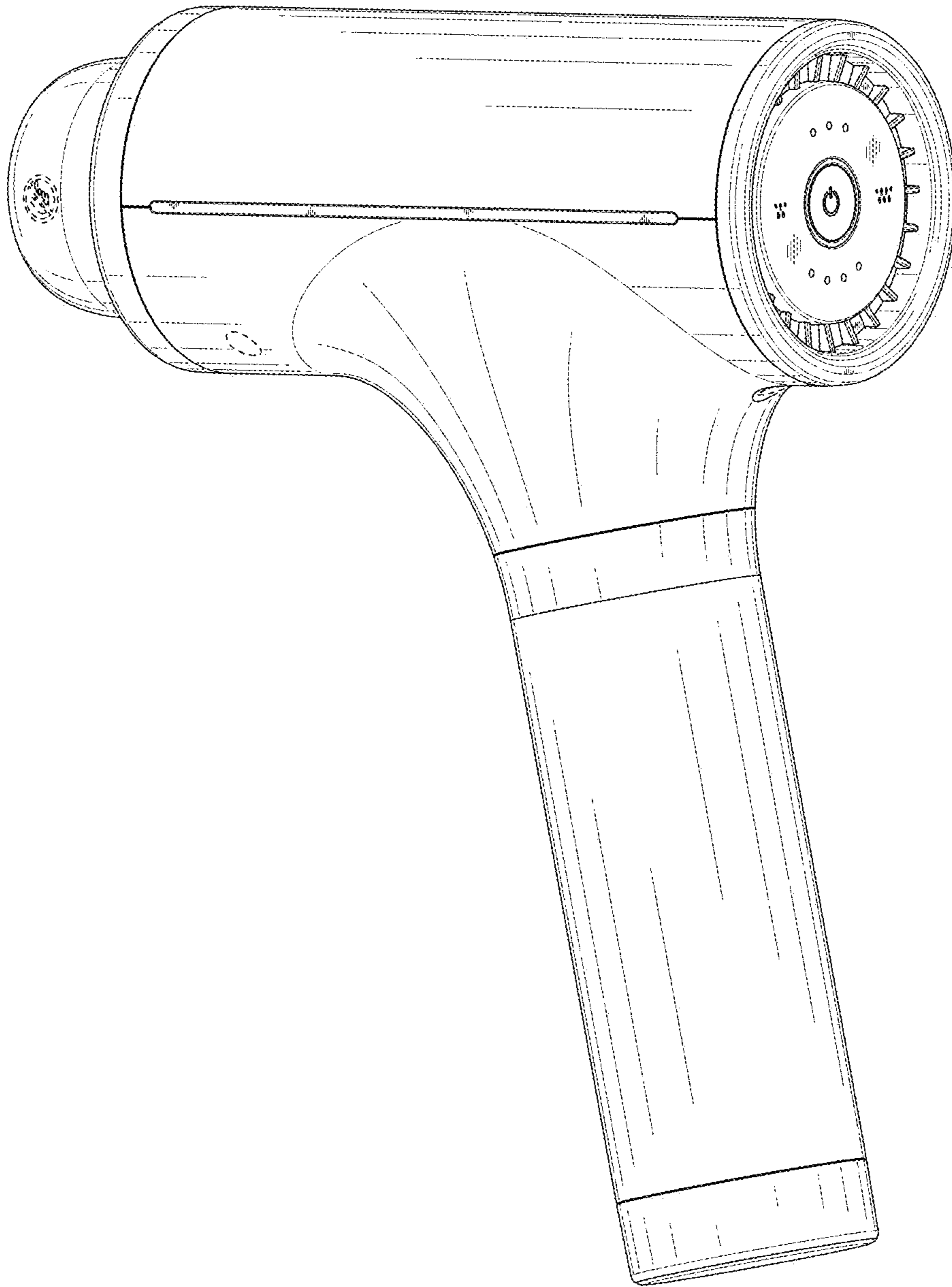


FIG.8