



US00D956991S

(12) **United States Design Patent** (10) **Patent No.:** **US D956,991 S**
Hu (45) **Date of Patent:** **** Jul. 5, 2022**

(54) **MASSAGER**

(71) Applicant: **Youjun Hu**, Shenzhen (CN)

(72) Inventor: **Youjun Hu**, Shenzhen (CN)

(**) Term: **15 Years**

(21) Appl. No.: **29/745,955**

(22) Filed: **Aug. 11, 2020**

(51) **LOC (13) Cl.** **28-03**

(52) **U.S. Cl.**
USPC **D24/215**

(58) **Field of Classification Search**
USPC D21/662, 673, 686, 691, 694, 826;
D25/62, 66, 68, 119, 126, 136; D6/329;
D8/14, 323, 349, 354, 360; D24/107,
D24/128, 215; D15/10, 66, 122, 141,
D15/147, 199
CPC .. A63B 1/00; A63B 2023/003; A63B 23/1218
See application file for complete search history.

(56) **References Cited**

U.S. PATENT DOCUMENTS

4,350,067	A *	9/1982	Picard	B27B 17/0058 269/296
4,355,525	A *	10/1982	Carson	B21D 7/024 D15/123
D549,749	S *	8/2007	Francis	D15/141
9,808,669	B2 *	11/2017	Letow	A63B 21/4045
D824,036	S *	7/2018	Hu	D24/200
D908,231	S *	1/2021	Ye	D24/200
D911,543	S *	2/2021	Zhang	D24/215
D919,108	S *	5/2021	Zhang	D24/215

OTHER PUBLICATIONS

Hismith, "Hismith Table Sex Machine", Feb. 5, 2022. <https://www.hismith.com/en/premium-sex-machine/591-hismith-table-top-20-premium-sex-machine-with-appremotewire-3-in-1-control.html>. Shown on p. 1. (Year: 2022).*
Amazon, "Hismith Table Top Love Machine", Aug. 22, 2020. https://www.amazon.com/Hismith-Table-Top-2-0-Pro/dp/B08G4MQ2RN/ref=cm_cr_arp_d_product_top?ie=UTF8. Shown on p. 1. (Year: 2020).*

* cited by examiner

Primary Examiner — Michael A Maharajh
(74) *Attorney, Agent, or Firm* — Rumit Ranjit Kanakia

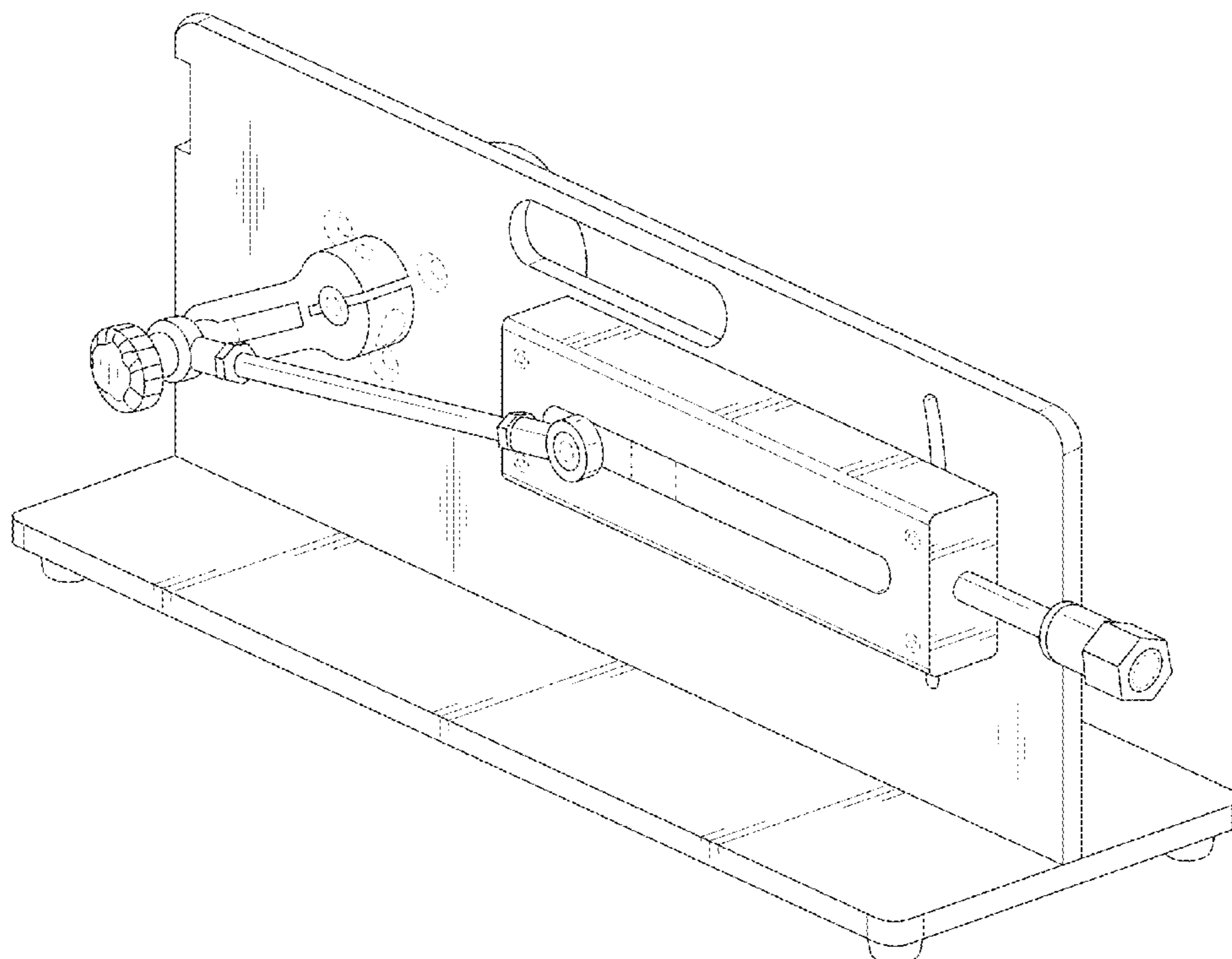
(57) **CLAIM**

I claim the ornamental design for a massager, as shown and described.

DESCRIPTION

FIG. 1 is a perspective view of a massager showing my new design;
FIG. 2 is a front view thereof;
FIG. 3 is a back view thereof;
FIG. 4 is a right-side view thereof;
FIG. 5 is a left-side thereof;
FIG. 6 is a top view thereof;
FIG. 7 is a bottom view thereof; and,
FIG. 8 is another perspective view thereof.
The broken lines are for the purpose of illustrating portions of the article that form no part of the claim. The additional broken lines shown in FIG. 8 are for the purpose of illustrating environmental structure, which form no part of the claimed design.

1 Claim, 8 Drawing Sheets



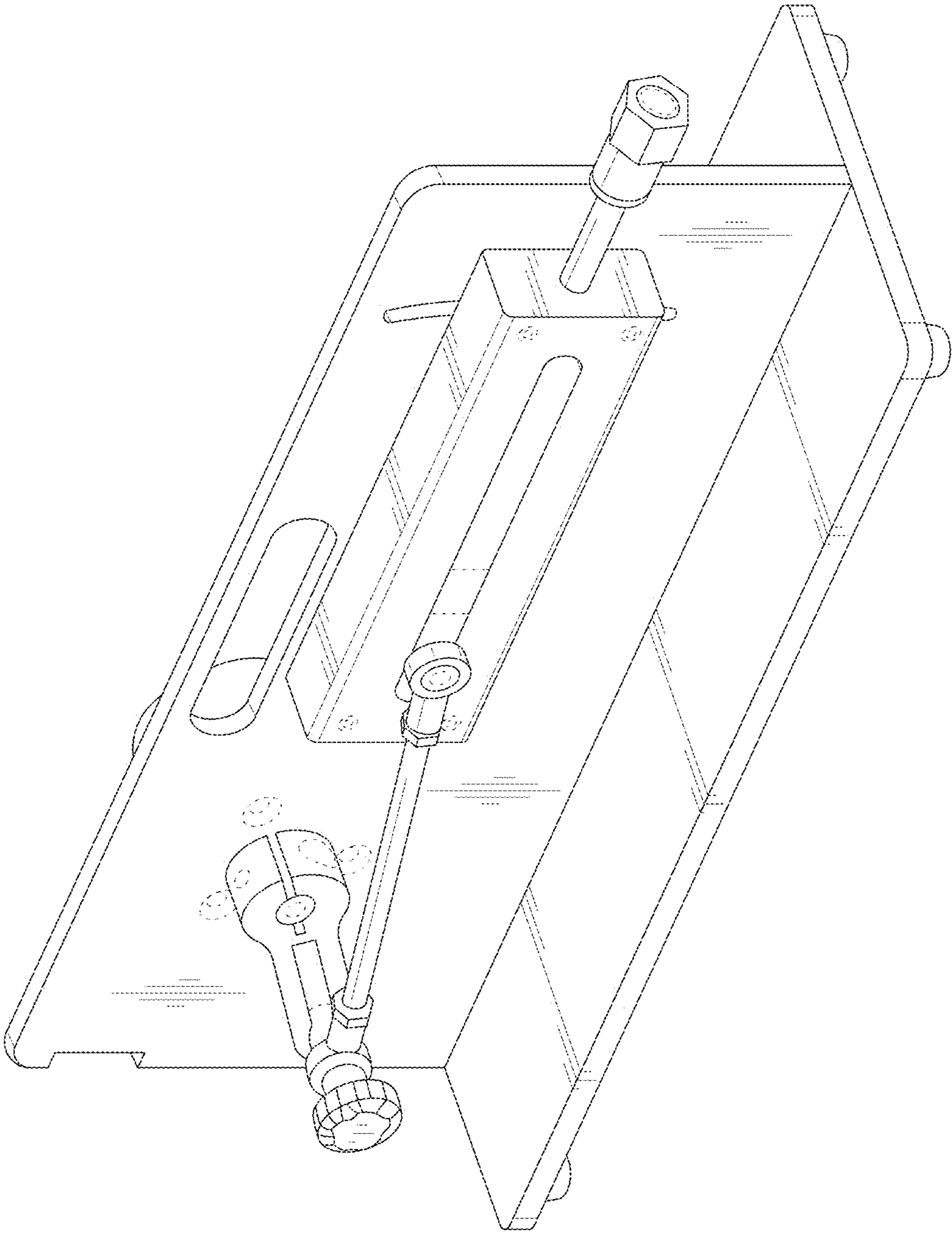


FIG. 1

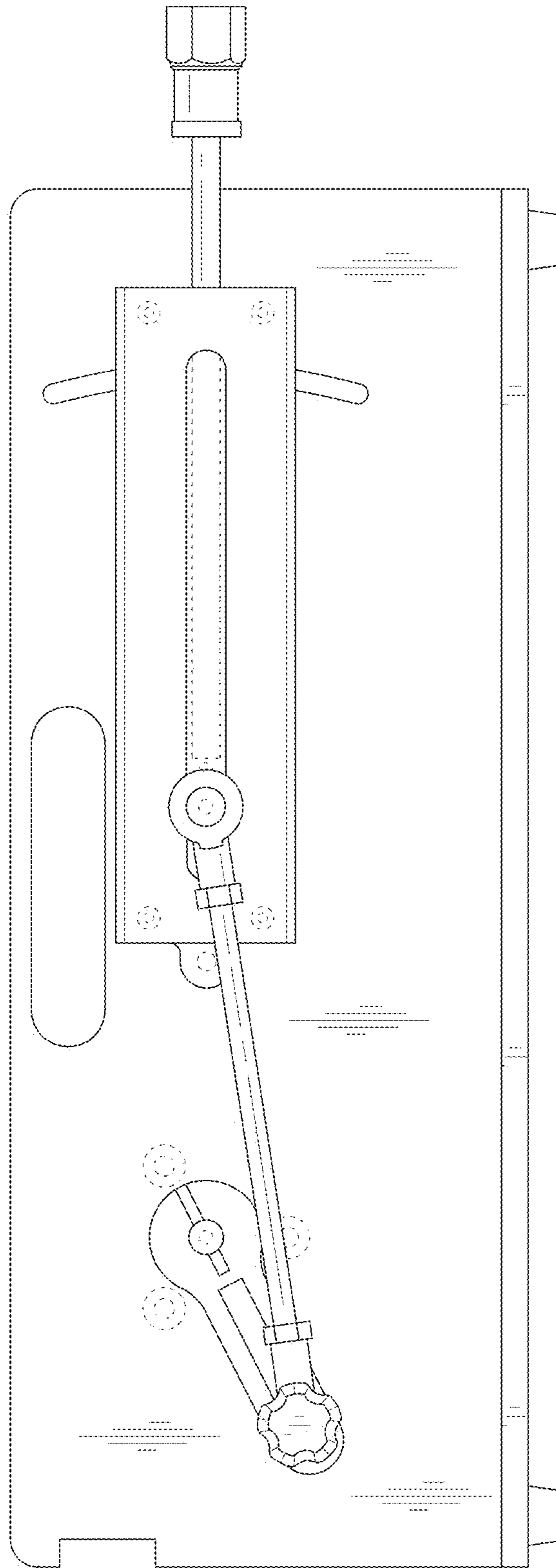


FIG. 2

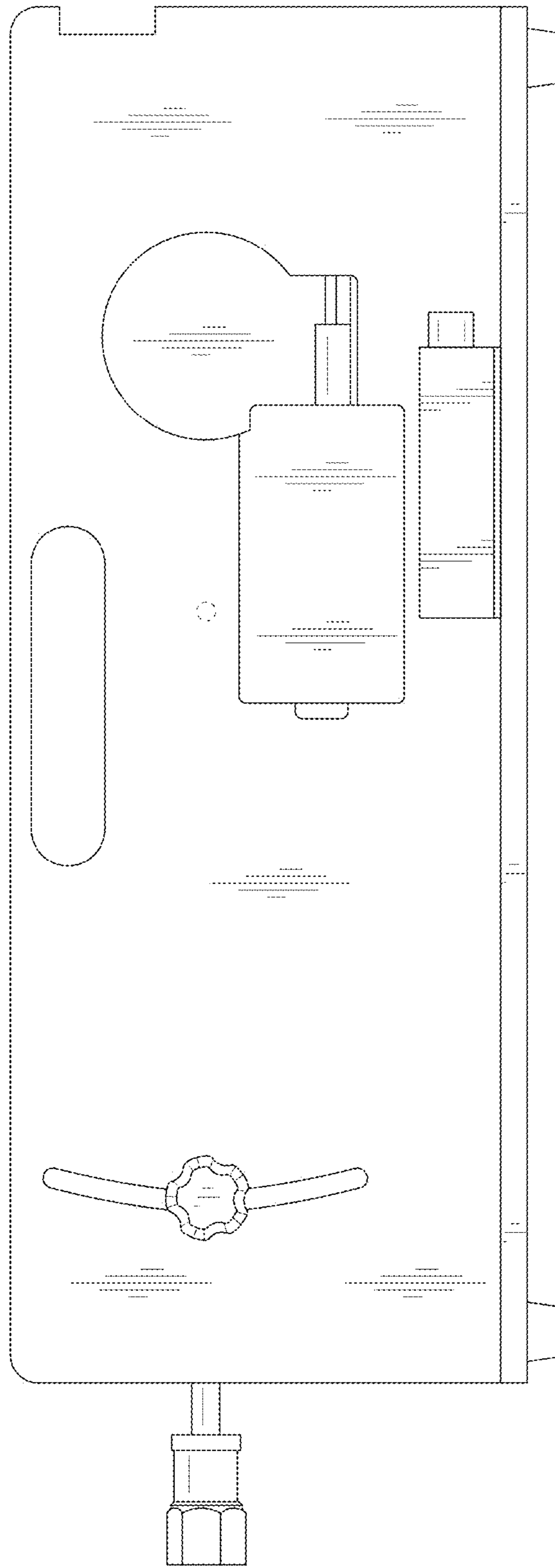


FIG. 3

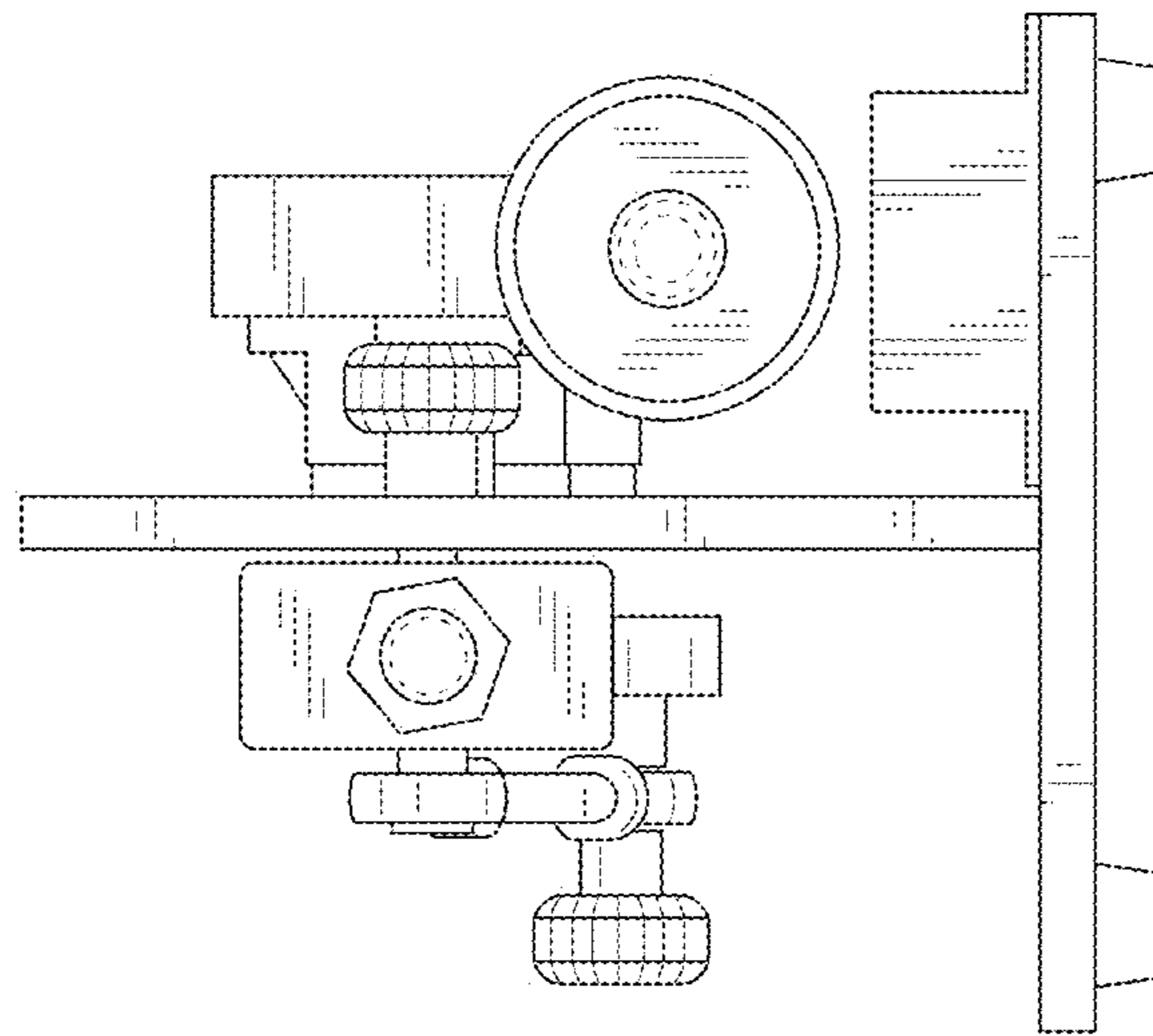


FIG. 4

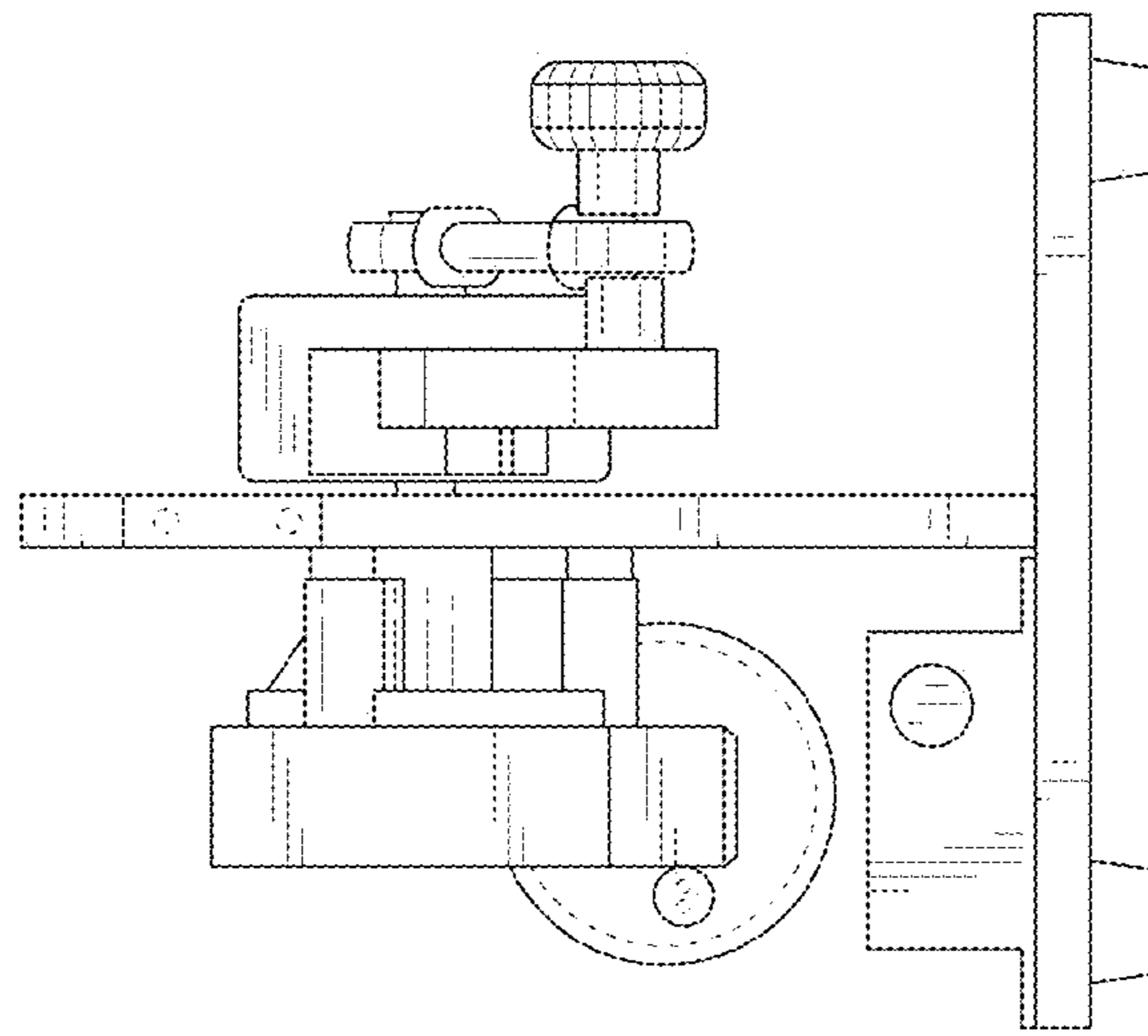


FIG. 5

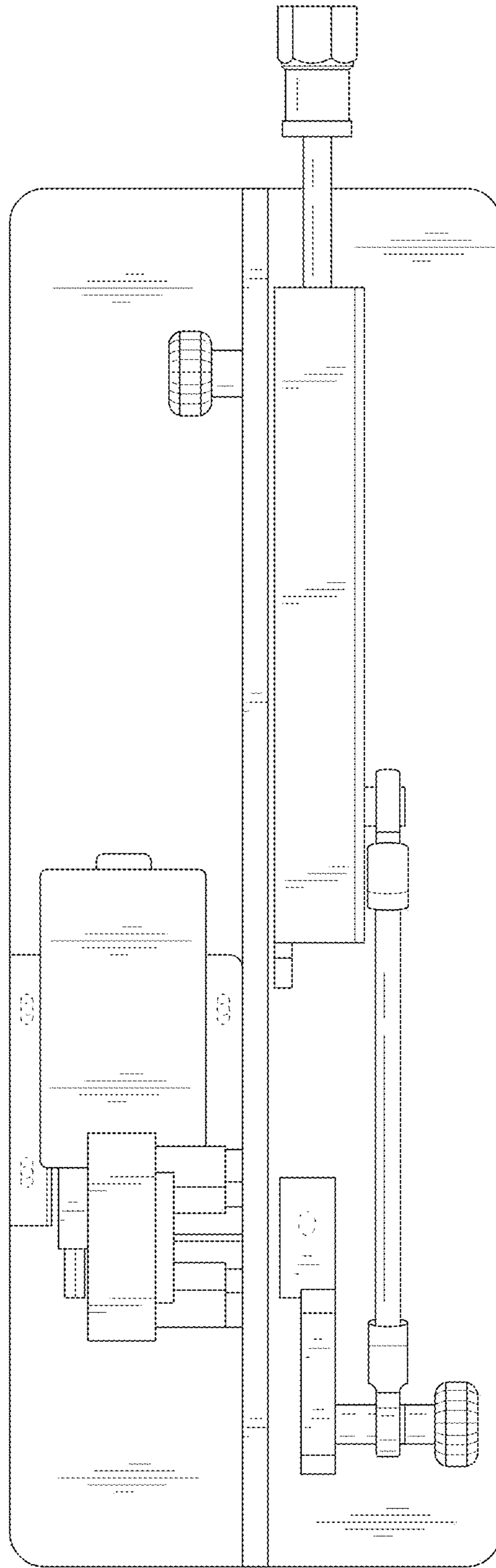


FIG. 6

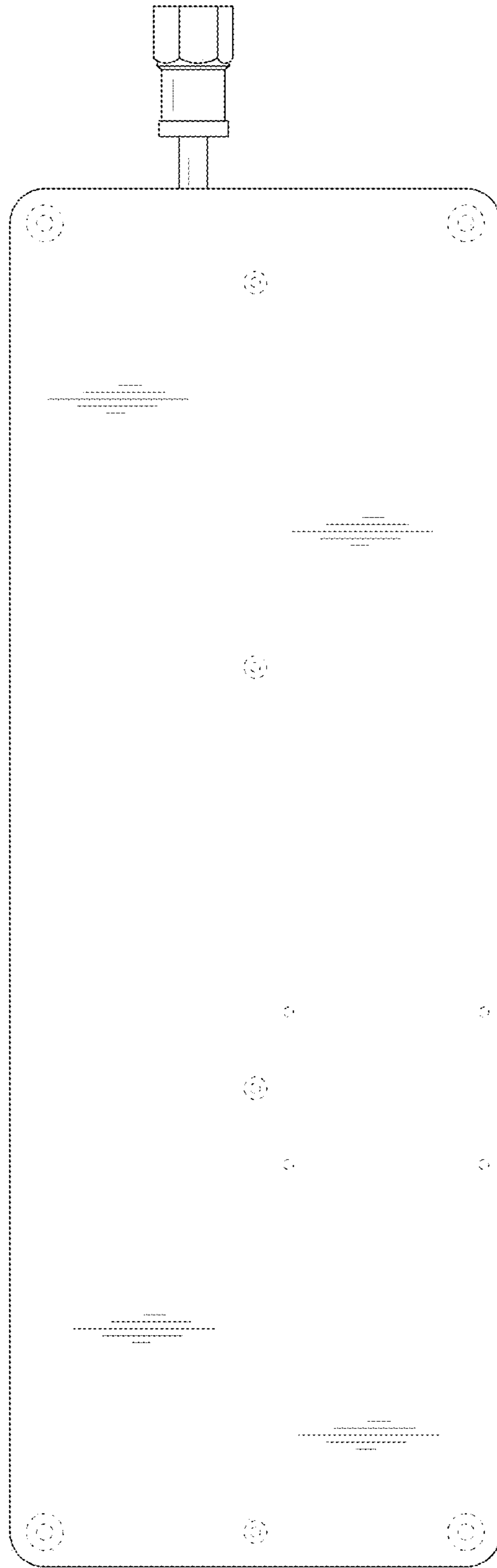


FIG. 7

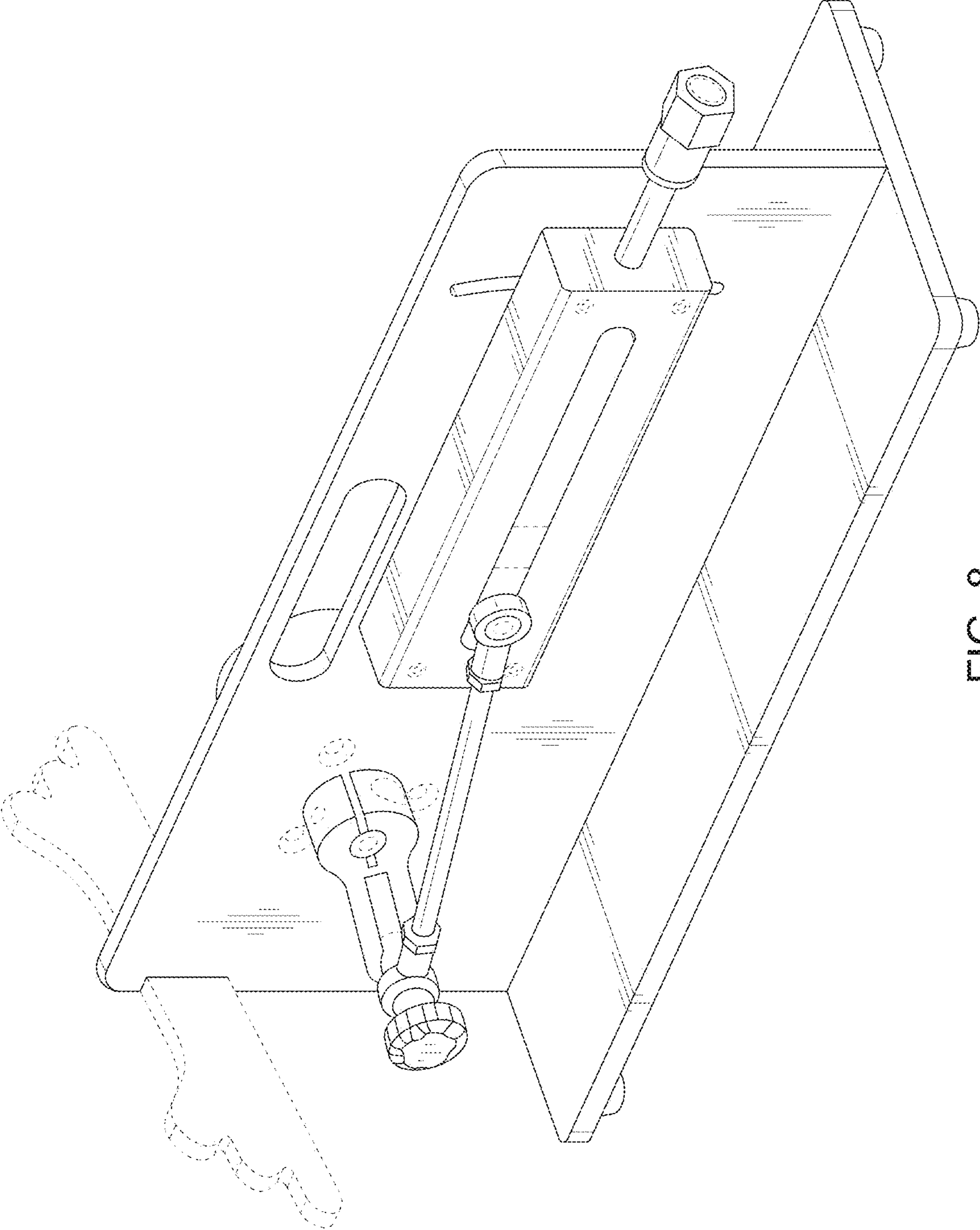


FIG. 8