



(12) **United States Design Patent** (10) **Patent No.:** **US D956,990 S**
Concho et al. (45) **Date of Patent:** **** Jul. 5, 2022**

(54) **VIBRATION DEVICE**

(71) Applicant: **Crave Innovations, Inc.**, San Francisco, CA (US)
 (72) Inventors: **Christine Concho**, San Francisco, CA (US); **Michael Topolovac**, San Francisco, CA (US)
 (73) Assignee: **Crave Innovations, Inc.**, San Francisco, CA (US)

(**) Term: **15 Years**

(21) Appl. No.: **29/745,893**

(22) Filed: **Aug. 10, 2020**

(51) **LOC (13) Cl.** **28-03**

(52) **U.S. Cl.**
 USPC **D24/215**

(58) **Field of Classification Search**
 USPC D24/186, 200, 211, 212, 213, 214, 215;
 D30/160
 CPC A61H 19/44; A61H 19/40; A61H 19/34
 See application file for complete search history.

(56) **References Cited**

U.S. PATENT DOCUMENTS

D636,887	S	*	4/2011	Nan	D24/215
D643,129	S	*	8/2011	Talbot	D24/215
D674,910	S	*	1/2013	Adams	D24/215
D684,701	S	*	6/2013	Uygur	D24/215
D725,283	S	*	3/2015	Sedic	D24/215
D877,352	S	*	3/2020	Jouffret	D24/215
D893,739	S	*	8/2020	Li	D24/215
D906,531	S	*	12/2020	Lopez	D24/215
D914,226	S	*	3/2021	Rakshit	D24/215
D925,053	S	*	7/2021	Callow	A61H 19/32
						D24/215
D925,054	S	*	7/2021	He	D24/215
D927,011	S	*	8/2021	Jouffret	D24/215
D927,702	S	*	8/2021	Lundquist	D24/188
2008/0077058	A1	*	3/2008	Klearman	A61H 23/0254
						601/70

(Continued)

OTHER PUBLICATIONS

Youtube, "Crave Vesper Touch & Vesper Tease Vibrator Ring", Jan. 12, 2020. <https://www.youtube.com/watch?v=SZIO5-cyRXE>. Shown at the 01:27 min mark. (Year: 2020).*

(Continued)

Primary Examiner — Michael A Maharajh

(74) *Attorney, Agent, or Firm* — Jeffrey Schox; Diana Lin

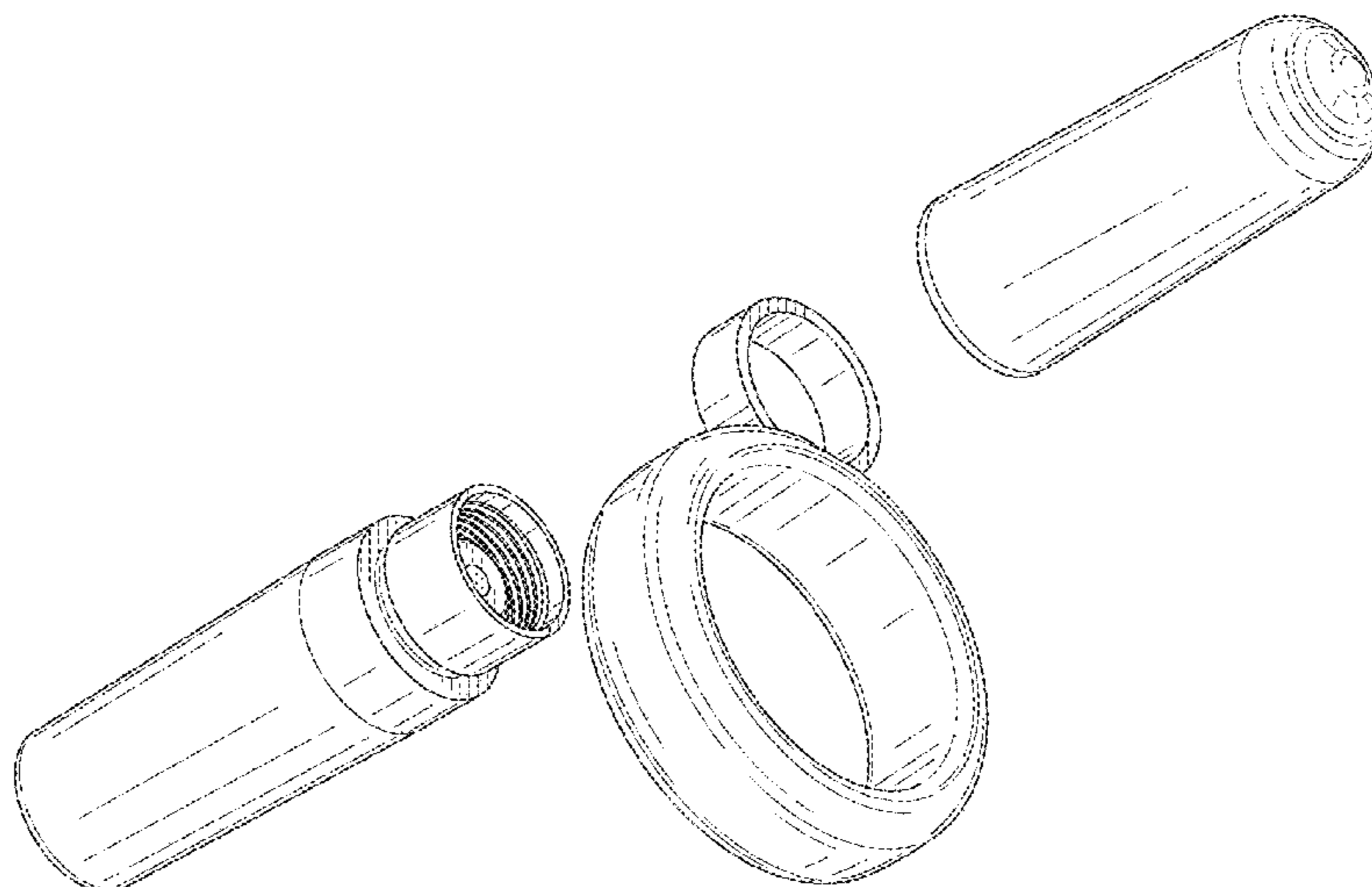
(57) **CLAIM**

We claim the ornamental design for a vibration device, as shown and described.

DESCRIPTION

FIG. 1 is an isometric view, from the bottom right, of the vibration device in an exploded configuration.
 FIG. 2 is an isometric view, from the top left, of the vibration device in the exploded configuration.
 FIG. 3 is an elevation view from the right side of the vibration device in the exploded configuration.
 FIG. 4 is an elevation view from the left side of the vibration device in the exploded configuration.
 FIG. 5 is an elevation view from the front of a first, second, and third component of the vibration device.
 FIG. 6 is an elevation view from the back of the first, second, and third component of the vibration device.
 FIG. 7 is a plan view from the top of the vibration device in the exploded configuration.
 FIG. 8 is a plan view from the bottom of the vibration device in the exploded configuration.
 FIG. 9 is an isometric view, from the top right, of the vibration device in the assembled configuration; and,
 FIG. 10 is an isometric view, from the top right, of a second variation of the vibration device in the assembled configuration.

1 Claim, 10 Drawing Sheets



(56)

References Cited

U.S. PATENT DOCUMENTS

2009/0069629 A1* 3/2009 Uson Calvo A61H 19/34
600/38
2012/0116273 A1* 5/2012 Nan A61H 19/34
601/46
2013/0296645 A1* 11/2013 Evans A61H 19/40
600/41
2014/0228629 A1* 8/2014 Baetica A61H 23/00
600/38
2015/0174001 A1* 6/2015 Milton A61H 19/34
600/41
2015/0313749 A1* 11/2015 Hahr A61H 19/50
600/39
2017/0042757 A1* 2/2017 Wang A61H 19/34
2017/0042758 A1* 2/2017 Cregan A61H 23/02
2018/0116904 A1* 5/2018 Lieberman A61H 23/02
2020/0069511 A1* 3/2020 Lopez G06F 3/0346
2020/0405573 A1* 12/2020 Topolovac A61H 19/44

OTHER PUBLICATIONS

Twitter, "Crave Vesper Touch and Tease", Jan. 8, 2020. <https://twitter.com/followcrave/status/1215039445398720513>. (Year: 2020).*

* cited by examiner

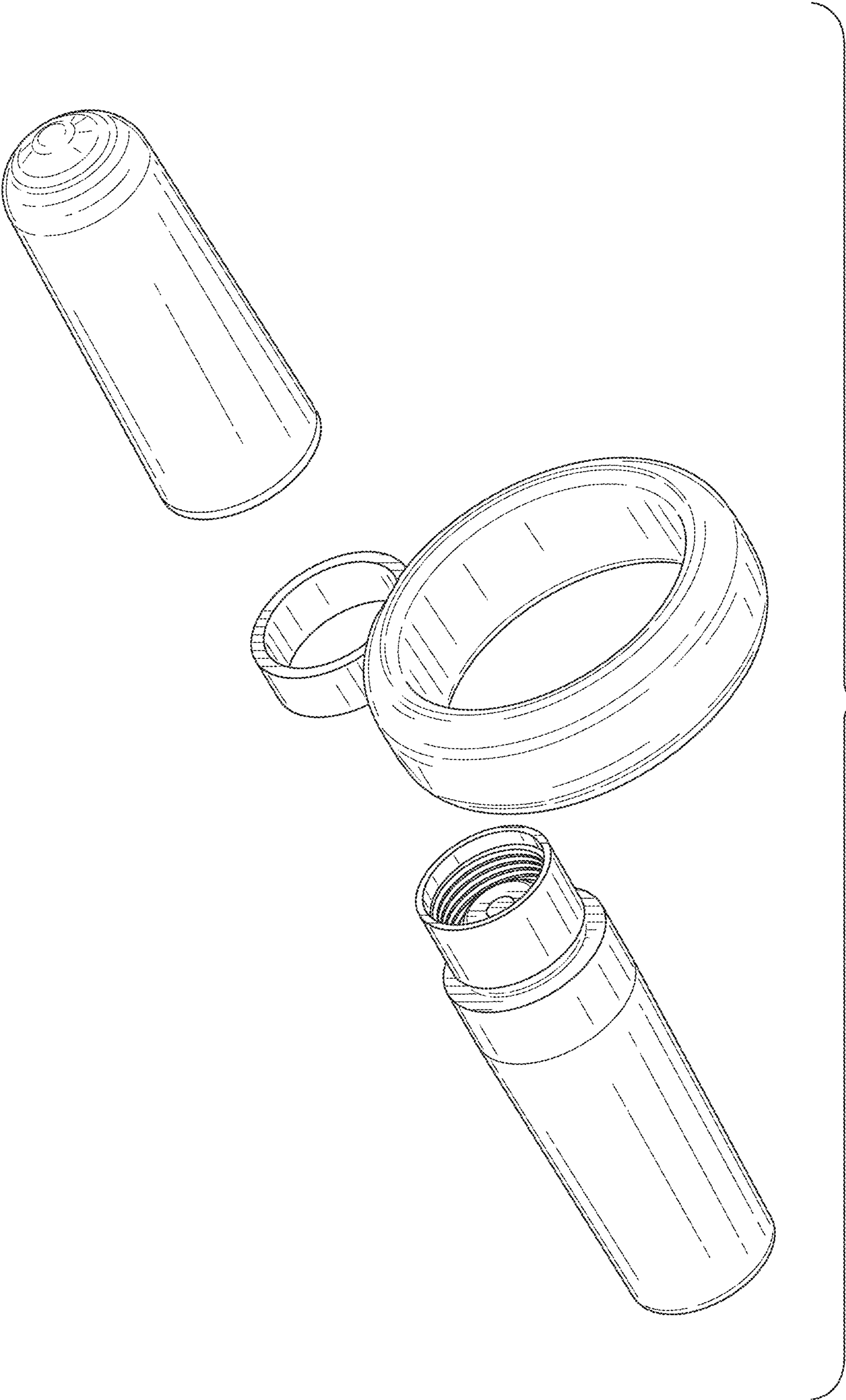


FIG. 1

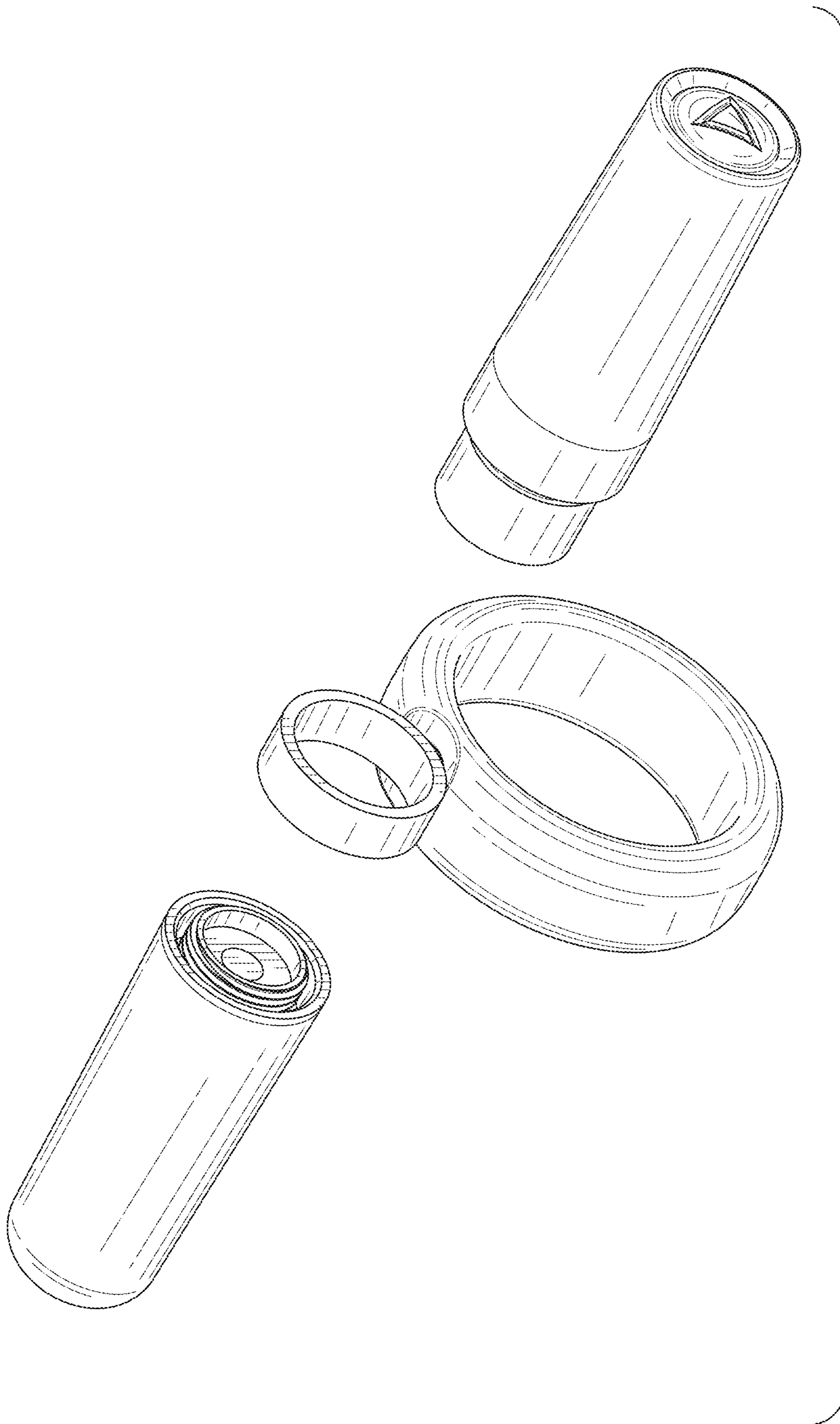


FIG. 2

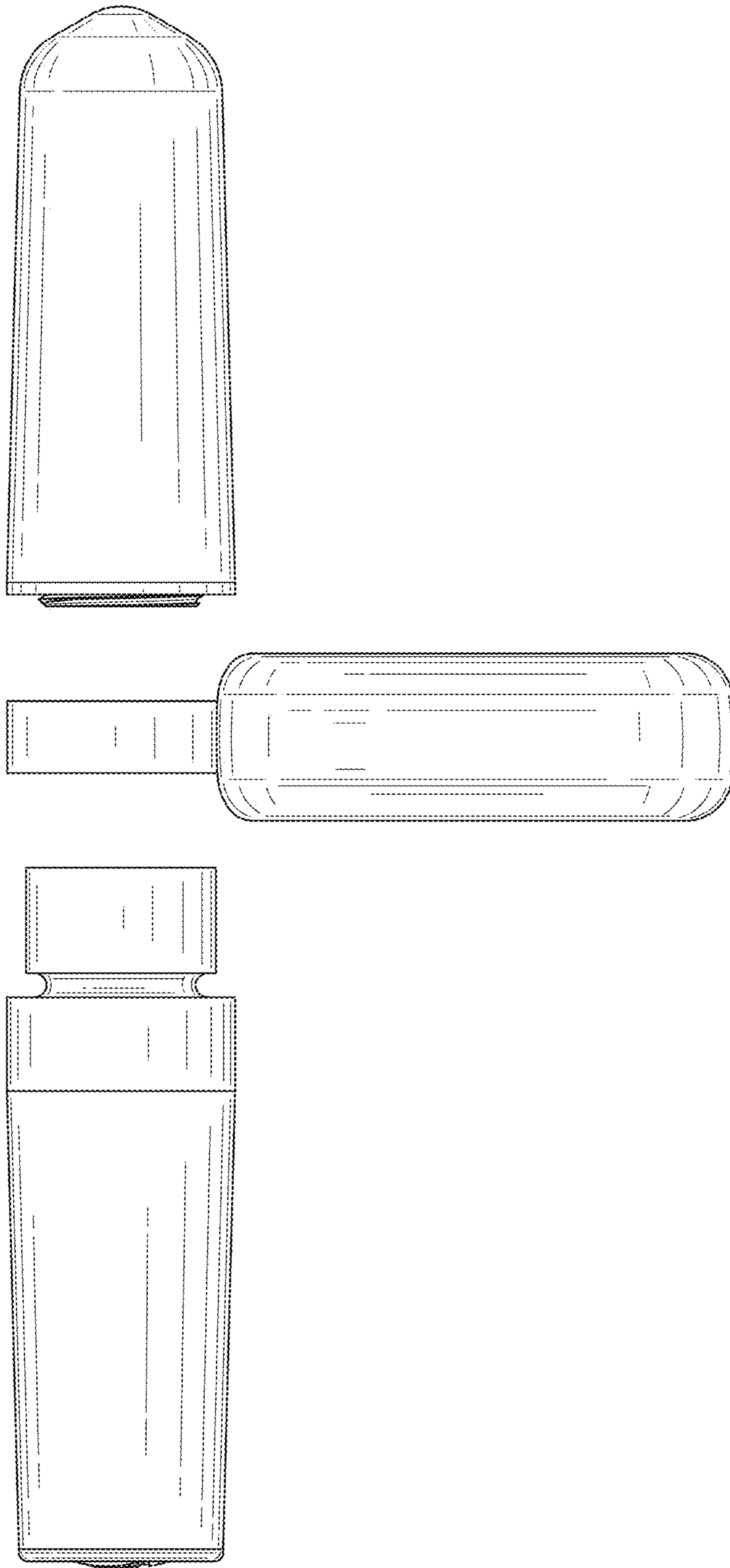


FIG. 3

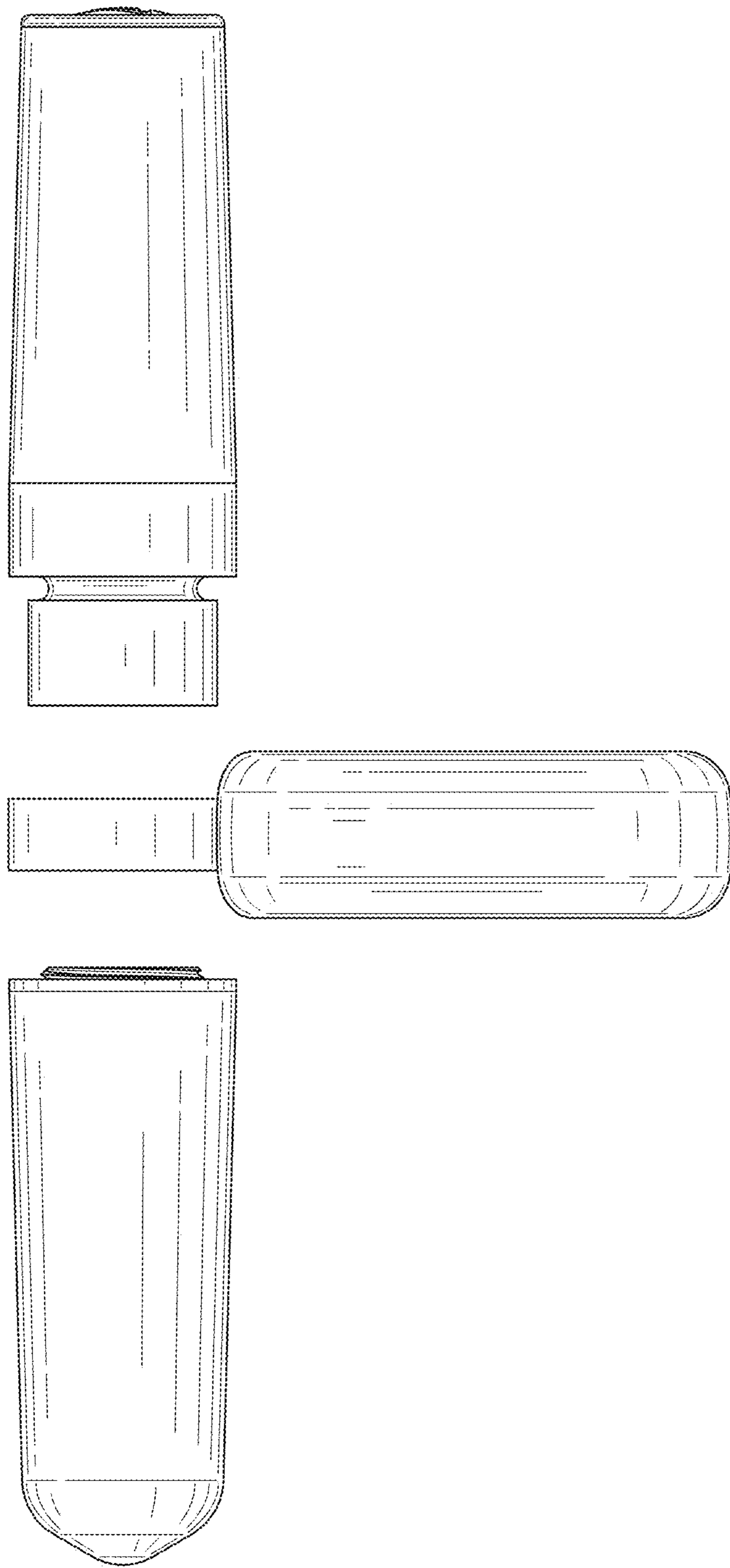


FIG. 4

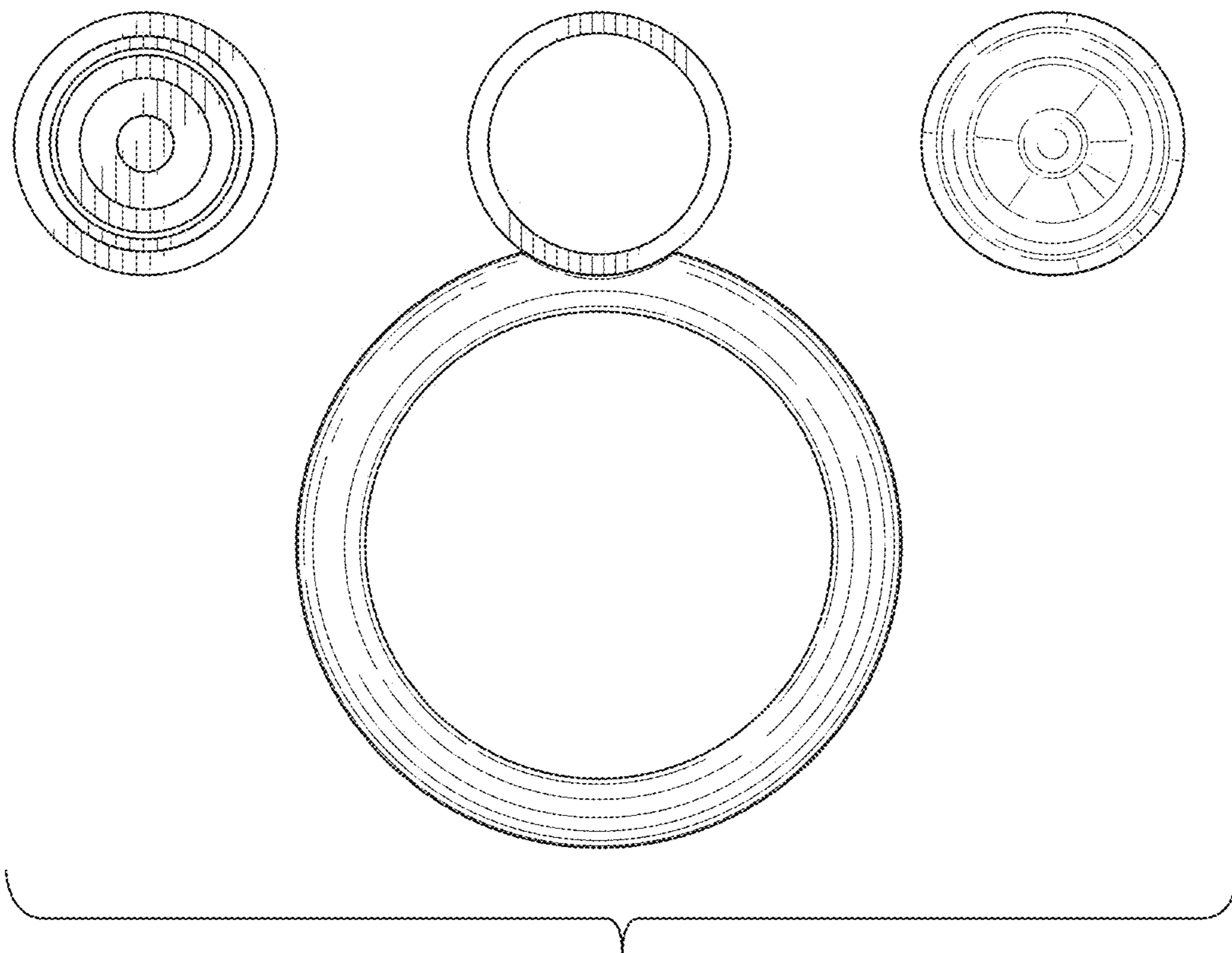


FIG. 5

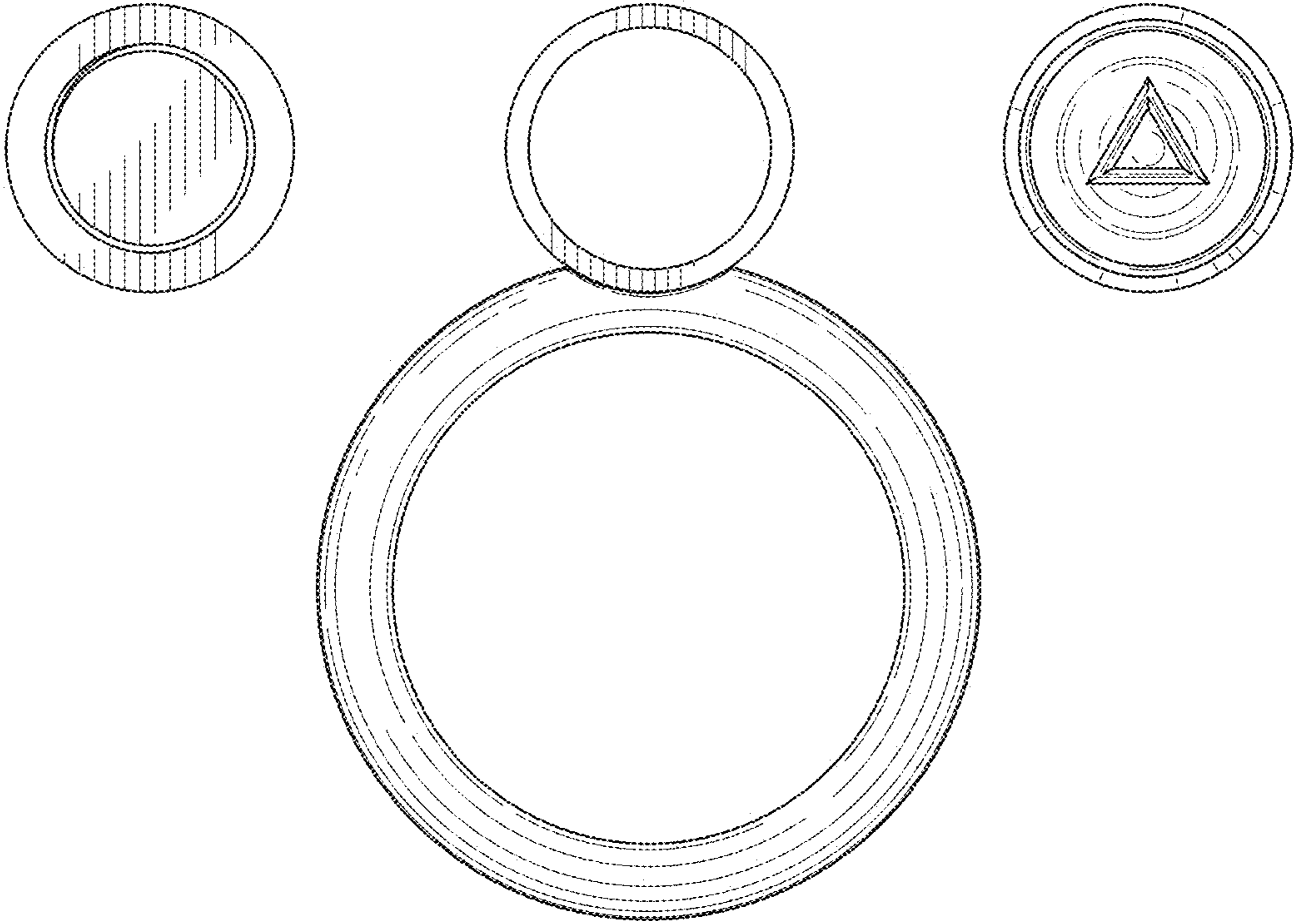


FIG. 6

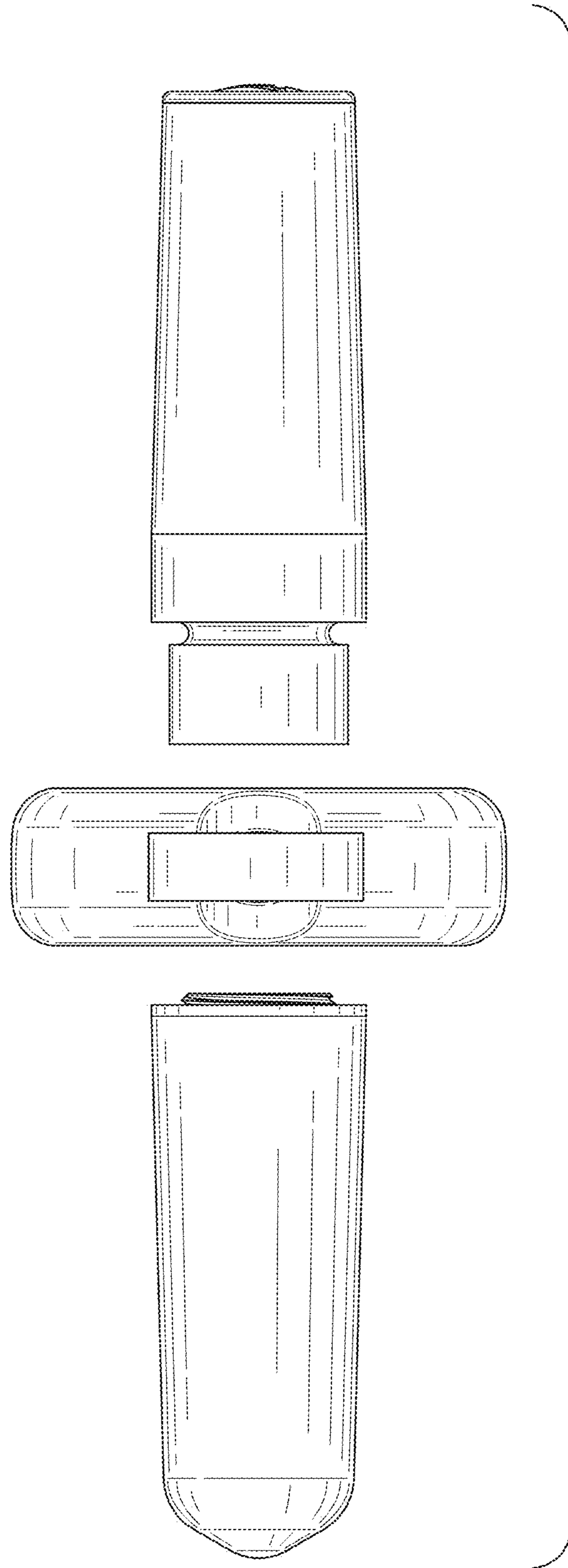


FIG. 7

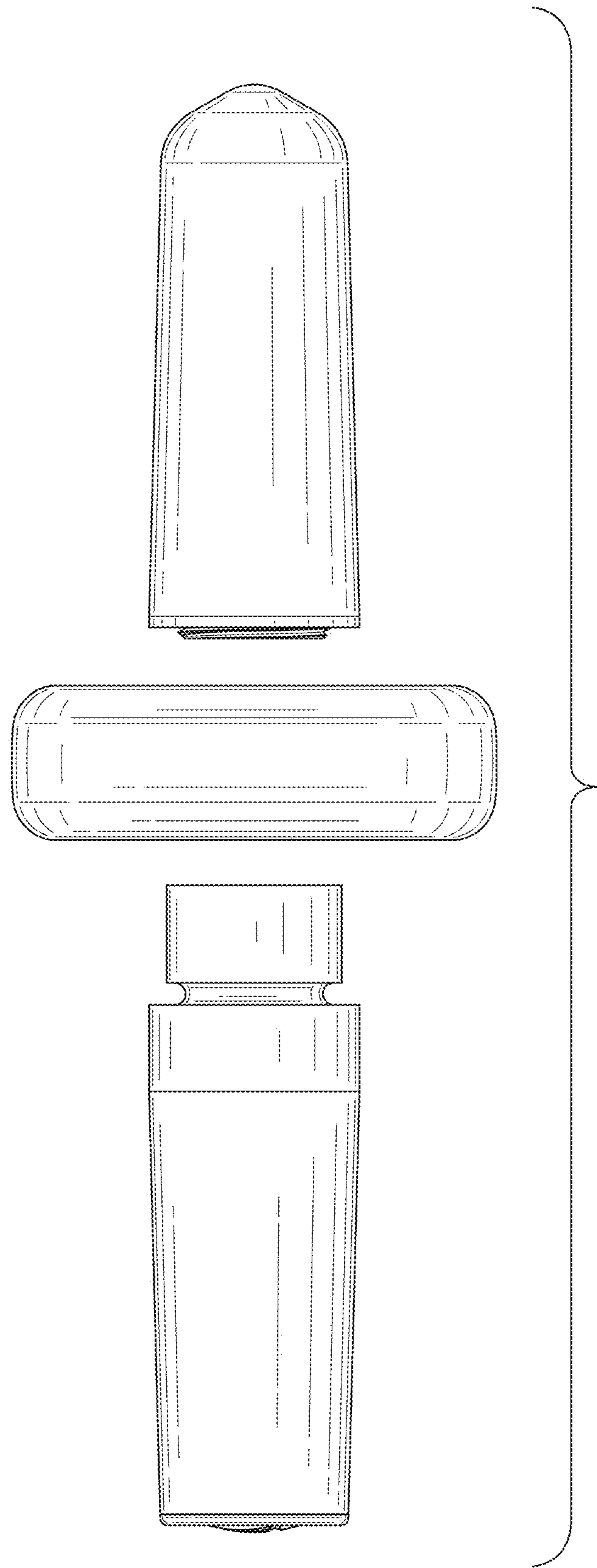


FIG. 8

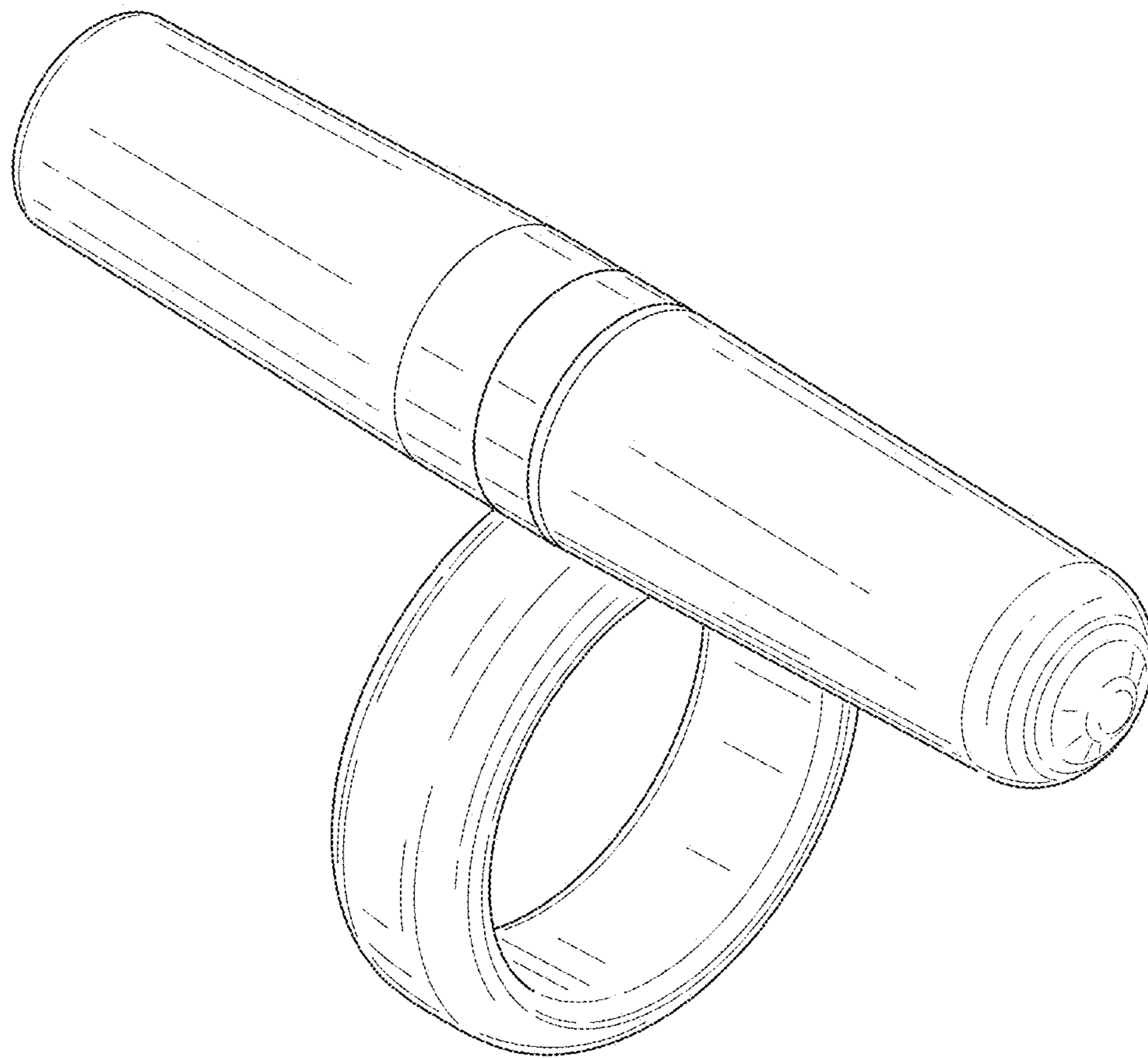


FIG. 9

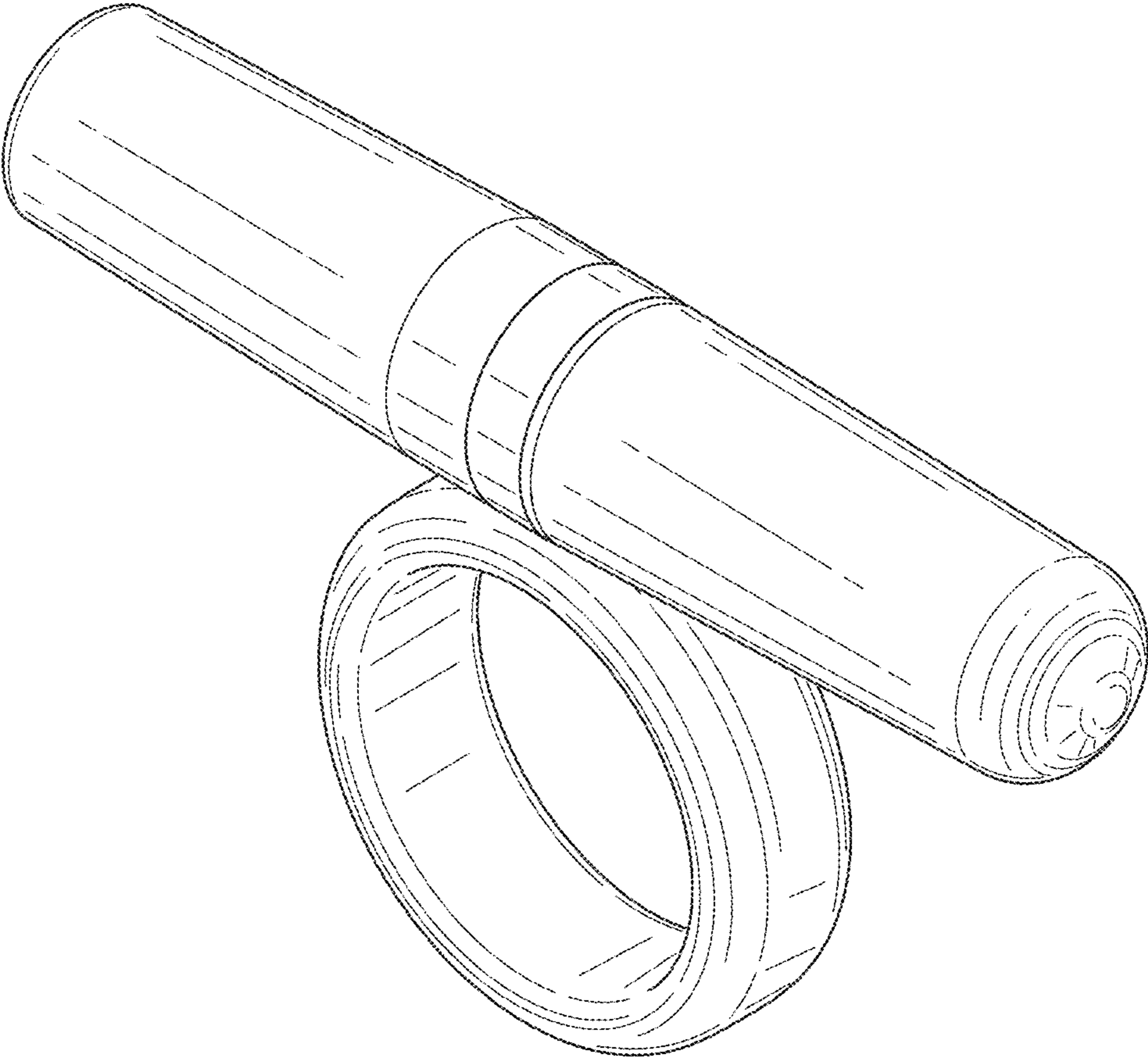


FIG. 10