



US00D956988S

(12) **United States Design Patent** (10) **Patent No.:** **US D956,988 S**
Ruola (45) **Date of Patent:** **** Jul. 5, 2022**

(54) **POOL**

FOREIGN PATENT DOCUMENTS

(71) Applicant: **Drop Design Pool Oy**, Turku (FI)

EM 001862442-0001 * 10/2011
FR 20124648-001 * 5/2013

(72) Inventor: **Nikolai Ruola**, Helsinki (FI)

OTHER PUBLICATIONS

(73) Assignee: **DROP DESIGN POOL OY**, Turku (FI)

Monarch Portable Spa, available in archiproducts.com, announced Year 2018 [online], [site visited Mar. 14, 2022], Internet URL: https://www.archiproducts.com/en/products/diamond-spas/square-hot-tub-6-seats-monarch-portable-spa_349935 (Year: 2018).*

(**) Term: **15 Years**

(21) Appl. No.: **29/728,193**

Primary Examiner — Brett Miller

(22) Filed: **Mar. 17, 2020**

Assistant Examiner — Jasmine L. Comedy

(51) **LOC (13) Cl.** **23-02**

(74) *Attorney, Agent, or Firm* — Eversheds Sutherland (US) LLP

(52) **U.S. Cl.**
USPC **D24/204; D25/2**

(58) **Field of Classification Search**
USPC D25/2; 4/488, 541.6, 904; D23/277;
D24/204

(57) **CLAIM**

CPC E04H 4/00; E04H 4/0018; E04H 4/144;
E04H 4/14; A61H 33/00
See application file for complete search history.

The ornamental design for a pool, as shown and described.

(56) **References Cited**

DESCRIPTION

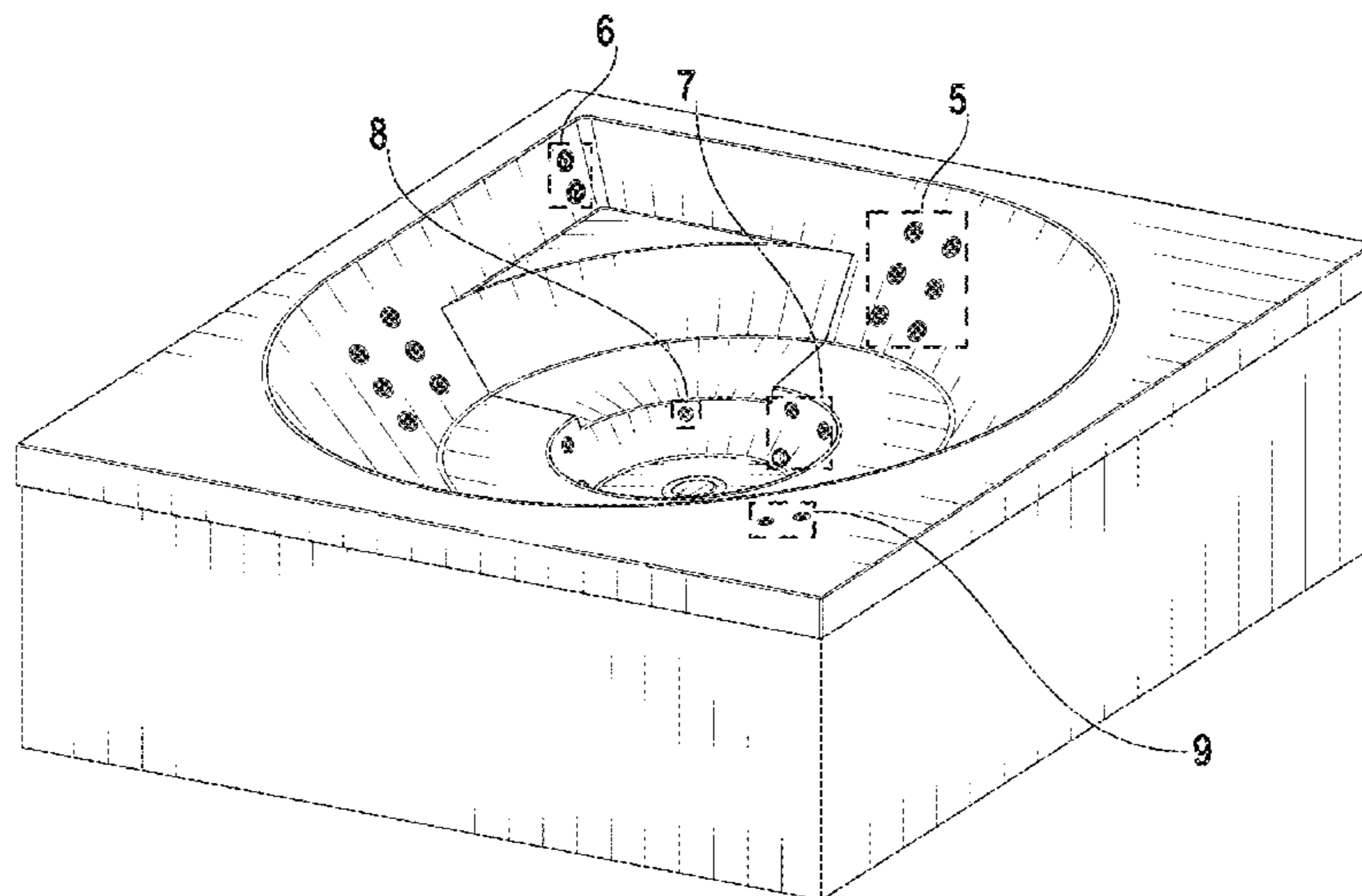
U.S. PATENT DOCUMENTS

- D247,978 S * 5/1978 D’Innocente D23/280.3
- D264,505 S * 5/1982 Reineman D24/204
- D267,271 S * 12/1982 Kingsley D25/2
- D270,760 S * 9/1983 Wiley D23/277
- D271,522 S * 11/1983 Wiley D23/277
- D278,183 S * 3/1985 Myers D23/277
- D286,671 S * 11/1986 Griffiths D23/277
- D305,063 S * 12/1989 Jacuzzi D24/205
- D403,413 S * 12/1998 Richardson, III D23/280.4
- D521,154 S * 5/2006 Loyd D24/204
- D542,416 S * 5/2007 Larsen D24/204
- D561,309 S * 2/2008 Talocci D23/277
- D566,246 S * 4/2008 Cunningham D23/277
- D583,449 S * 12/2008 Daikubara D23/304
- D657,882 S * 4/2012 Larsen D24/204
- 9,038,208 B2 * 5/2015 Ferriss A61H 33/60
4/492
- D864,402 S * 10/2019 Rathnam D24/204

FIG. 1 is a perspective view of a pool;
 FIG. 2 is a side view thereof, with all sides of the pool being identical;
 FIG. 3 is a top view thereof;
 FIG. 4 is a bottom view thereof;
 FIG. 5 is an enlarged view of portion 5 in FIG. 1;
 FIG. 6 is an enlarged view of portion 6 in FIG. 1;
 FIG. 7 is an enlarged view of portion 7 in FIG. 1;
 FIG. 8 is an enlarged view of portion 8 in FIG. 1; and,
 FIG. 9 is an enlarged view of portion 9 in FIG. 1.
 The dashed broken lines are directed to environment and show unclaimed subject matter and form no part of the claimed design. The dash-dot broken lines represent boundary lines defining unclaimed subject matter and form no part of the claimed design.

(Continued)

1 Claim, 7 Drawing Sheets



(56)

References Cited

U.S. PATENT DOCUMENTS

2010/0050336 A1* 3/2010 Davis A61H 33/0087
4/541.6
2014/0131472 A1* 5/2014 Eddington A61H 33/6005
239/18
2015/0283400 A1* 10/2015 Hatley A61N 5/0618
607/80
2015/0366752 A1* 12/2015 Hatley A61H 33/02
4/541.3
2017/0020780 A1* 1/2017 Hatley A61H 33/60
2020/0150755 A1* 5/2020 Hales G06T 19/006

* cited by examiner

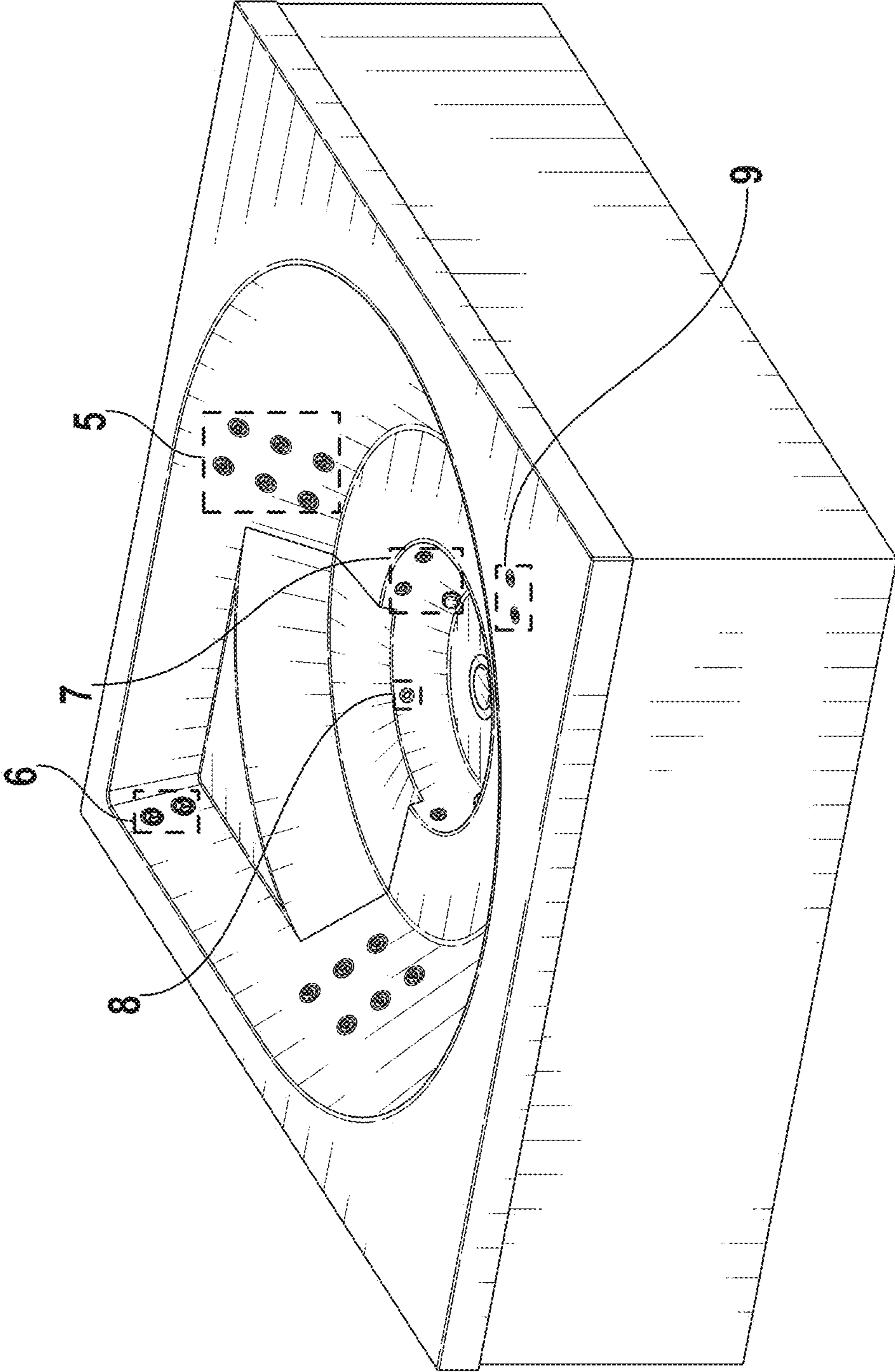


FIG. 1

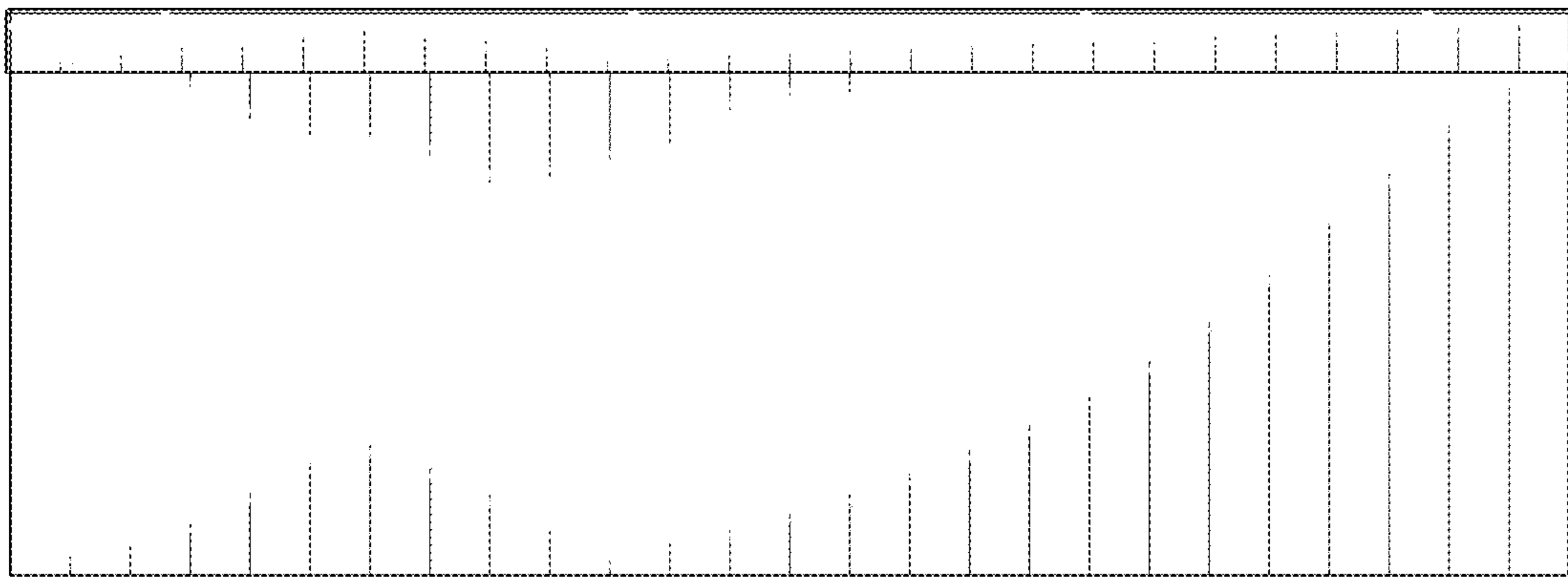


FIG. 2

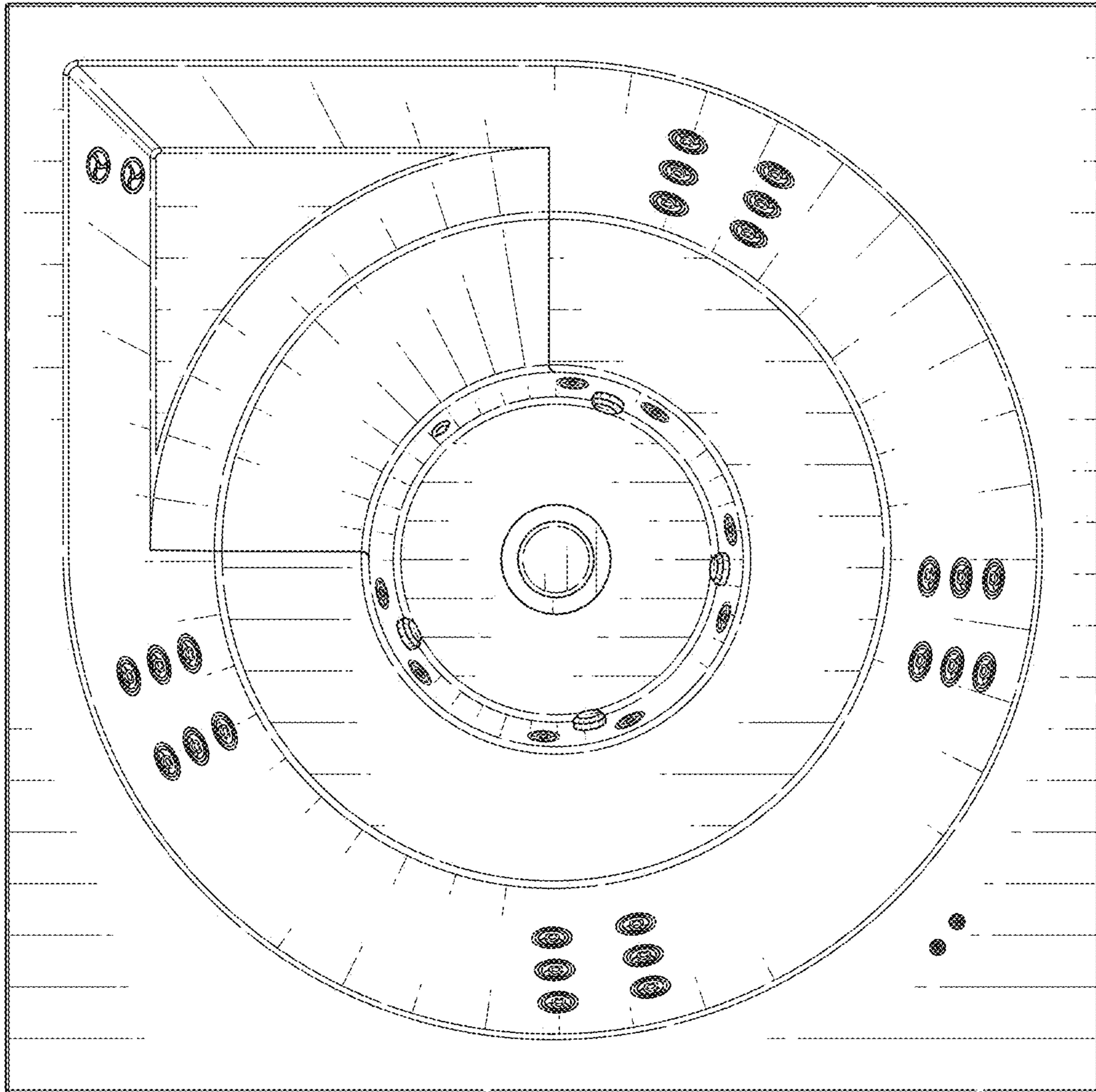


FIG. 3



FIG. 4

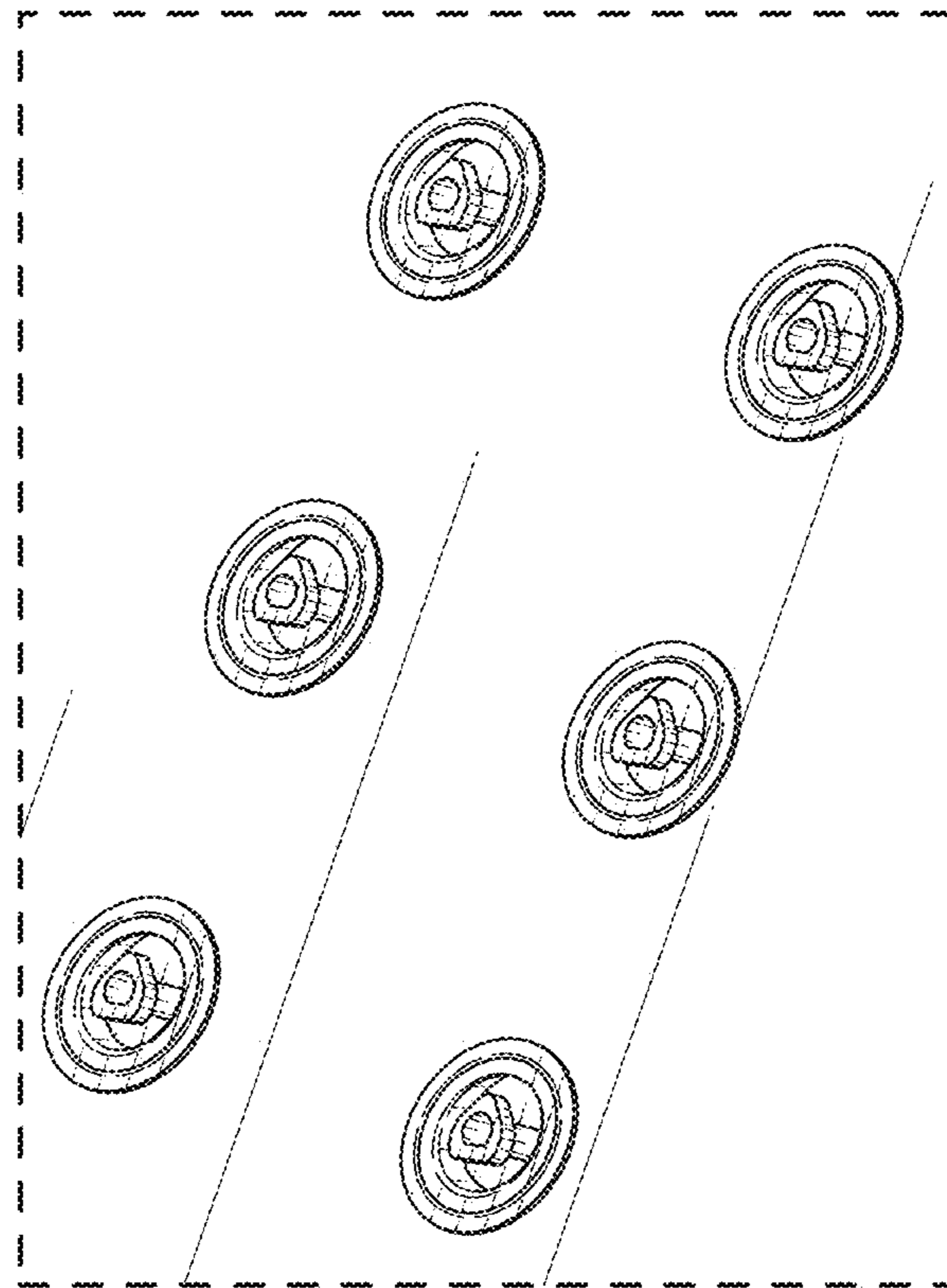


FIG. 5

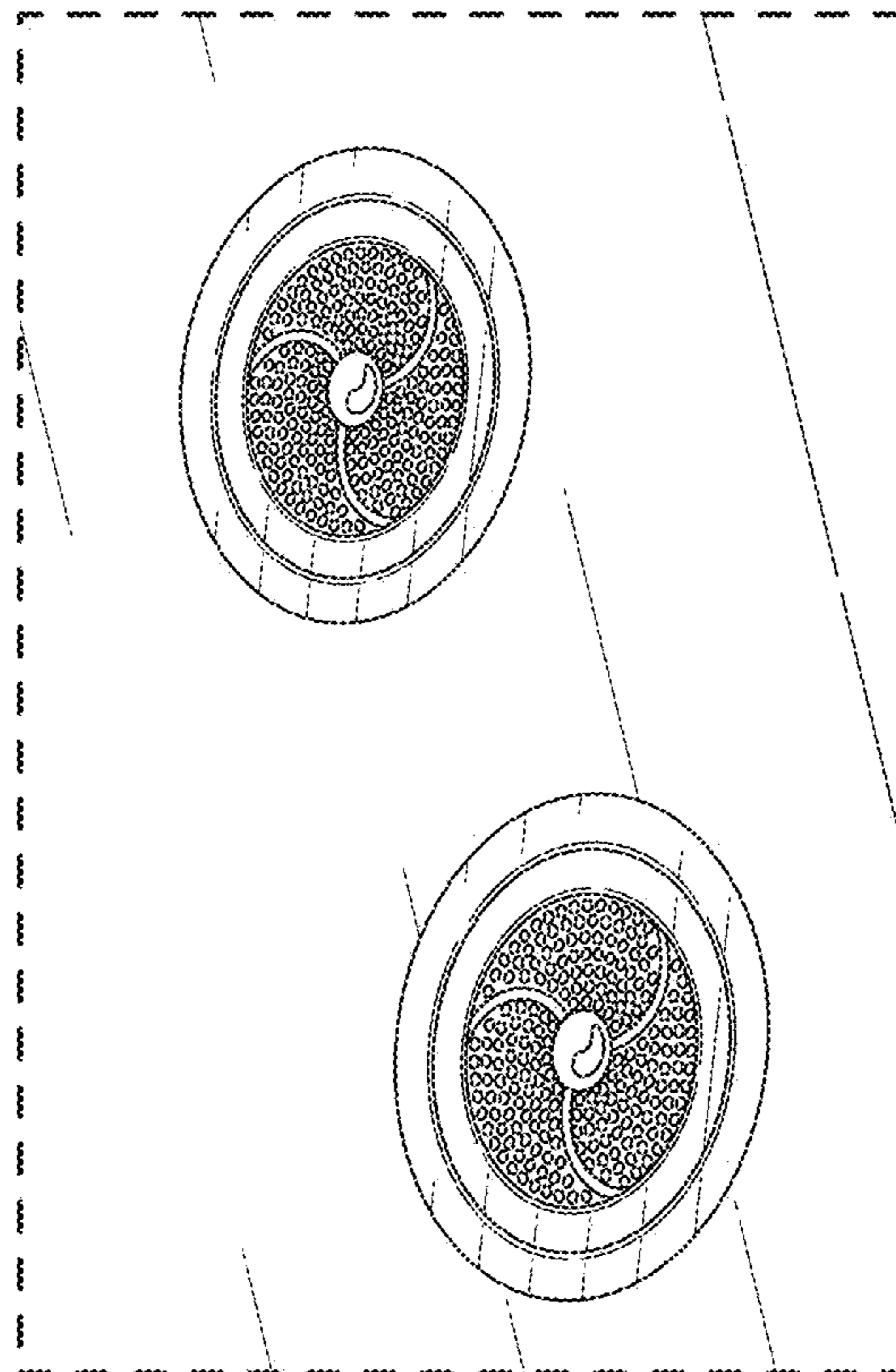


FIG. 6

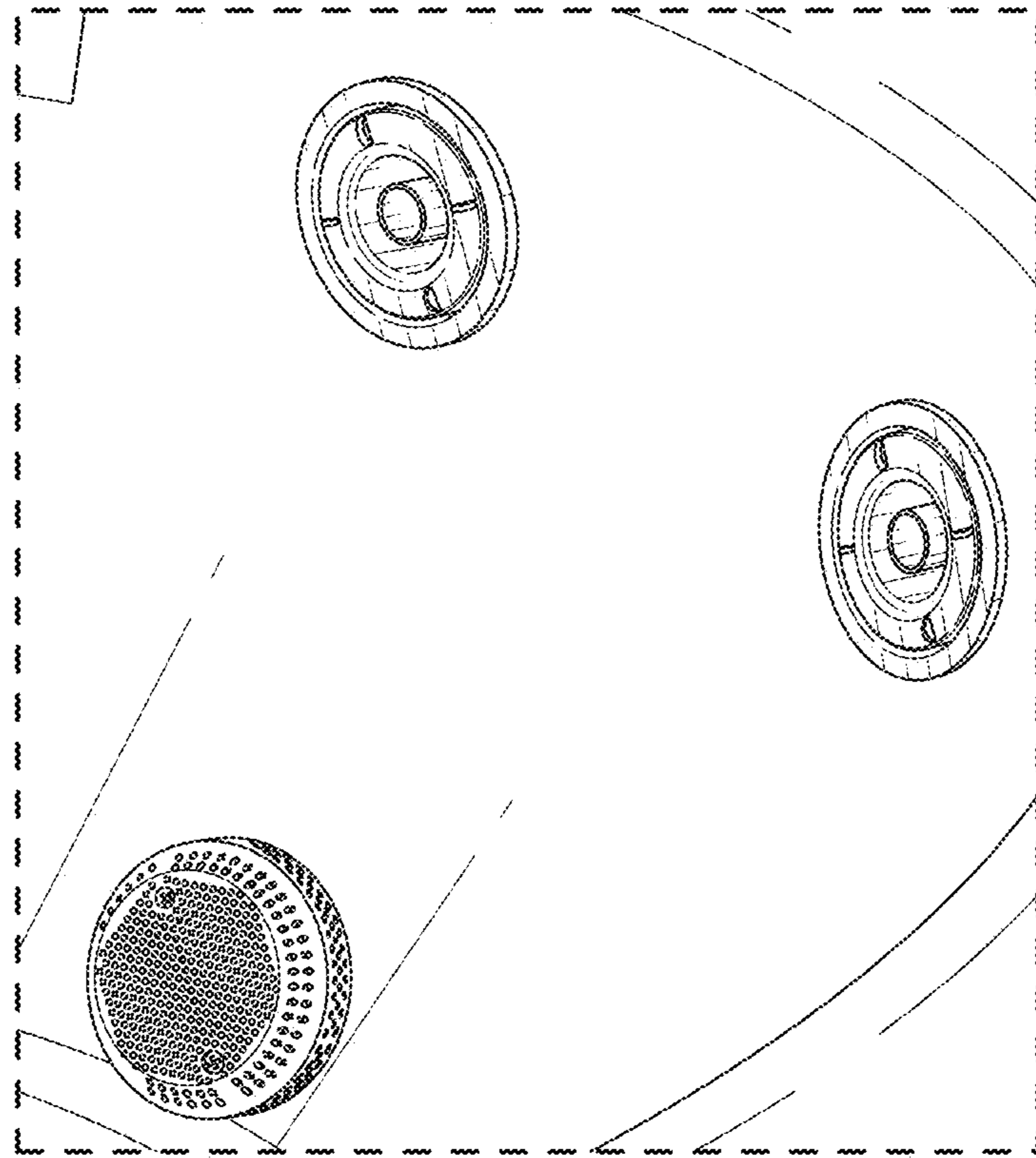


FIG. 7

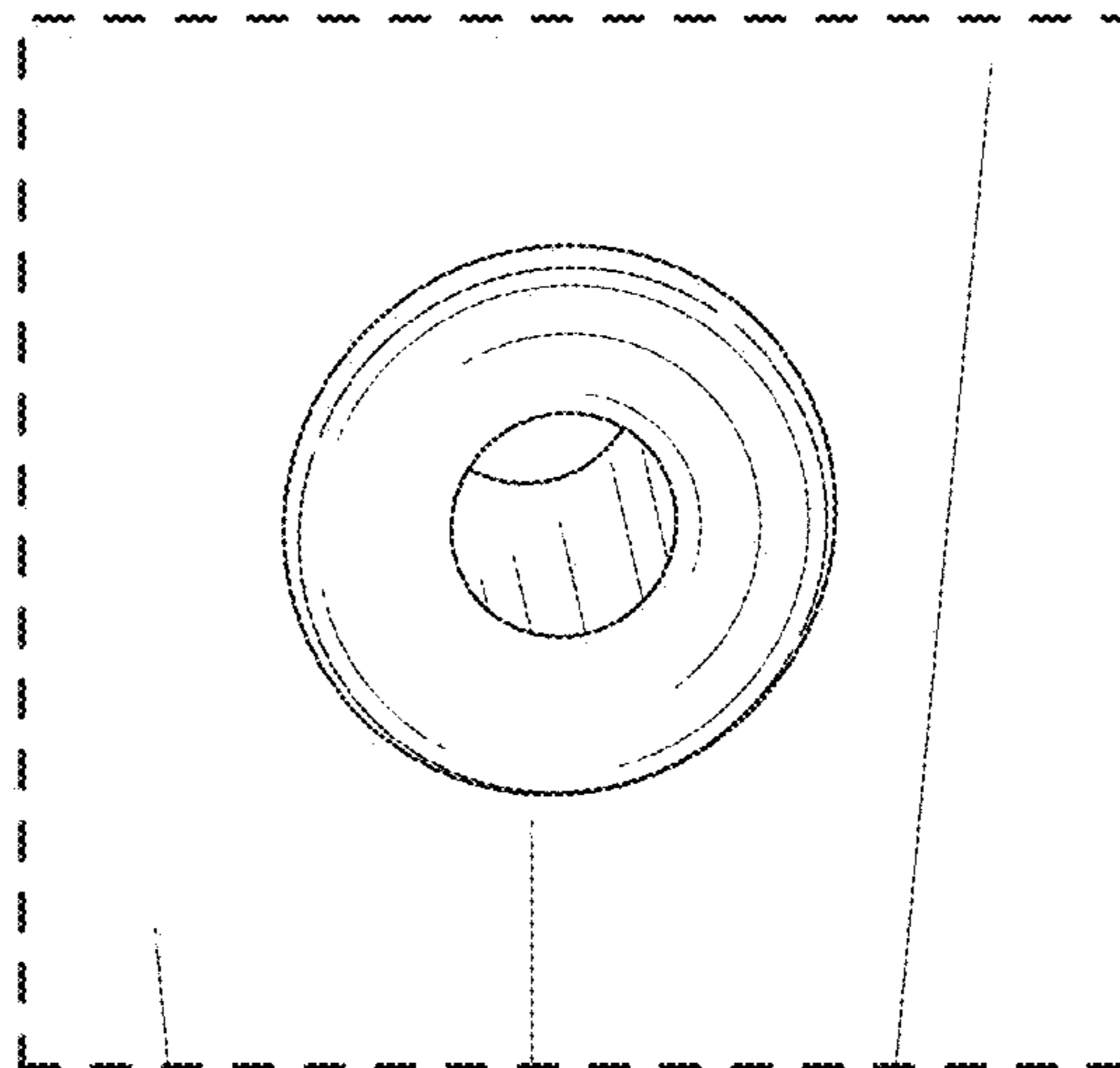


FIG. 8

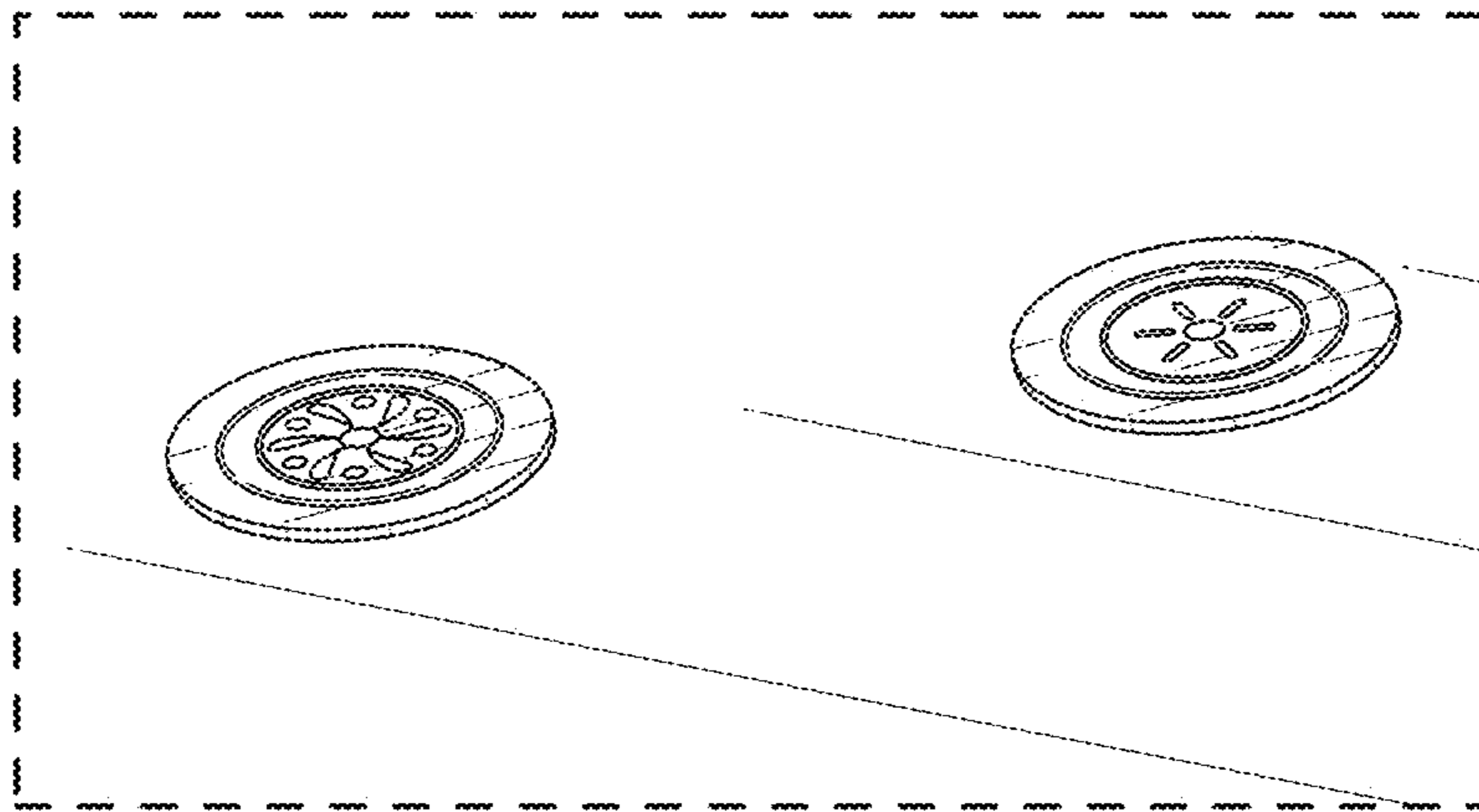


FIG. 9