



US00D956980S

(12) **United States Design Patent**
Chu et al.

(10) **Patent No.:** **US D956,980 S**
(45) **Date of Patent:** **** Jul. 5, 2022**

- (54) **DENTAL SHIM**
- (71) Applicant: **Fresh Health Inc.**, Mountain View, CA (US)
- (72) Inventors: **Angela Junyan Chu**, San Francisco, CA (US); **Sophie Katherine Sheeline**, San Francisco, CA (US); **Kristina Jenna Cook**, San Francisco, CA (US); **Jonathan Riley Cox**, Saratoga, CA (US)
- (73) Assignee: **FRESH HEALTH INC.**, Mountain View, CA (US)
- (**) Term: **15 Years**
- (21) Appl. No.: **29/754,398**
- (22) Filed: **Oct. 9, 2020**

Related U.S. Application Data

- (63) Continuation of application No. PCT/US2020/028311, filed on Apr. 15, 2020.
- (51) **LOC (13) Cl.** **24-02**
- (52) **U.S. Cl.**
USPC **D24/176**
- (58) **Field of Classification Search**
USPC D24/176-178, 180-181
CPC . A61C 17/0202; A61C 17/0211; A61C 9/004;
A61C 7/002; A61C 7/08; A61C 7/36
See application file for complete search history.

(56) **References Cited**

U.S. PATENT DOCUMENTS

3,379,192 A	4/1968	Warren
3,527,218 A	9/1970	Westine
3,731,675 A	5/1973	Kelly
4,164,940 A	8/1979	Quinby
5,104,315 A	4/1992	McKinley

D406,405 S *	3/1999	Yoshida	D24/176
6,056,710 A	5/2000	Bachman et al.		
6,334,853 B1	1/2002	Kopelman et al.		
6,353,956 B1	3/2002	Berge		
6,402,707 B1	6/2002	Ernst		
6,475,173 B1	11/2002	Bachman et al.		
6,893,259 B1	5/2005	Reizenson		
7,092,107 B2	8/2006	Babayoff et al.		
7,112,065 B2	9/2006	Kopelman et al.		
7,156,661 B2	1/2007	Choi et al.		
8,102,538 B2	1/2012	Babayoff		
8,241,035 B2	8/2012	Jones et al.		

(Continued)

FOREIGN PATENT DOCUMENTS

FR 2 905 258 3/2008

OTHER PUBLICATIONS

International Search Report and Written Opinion issued in International Application No. PCT/US2018/040459 dated Nov. 5, 2018, 12 pages.

(Continued)

Primary Examiner — Wan Laymon

(74) *Attorney, Agent, or Firm* — Cooley LLP

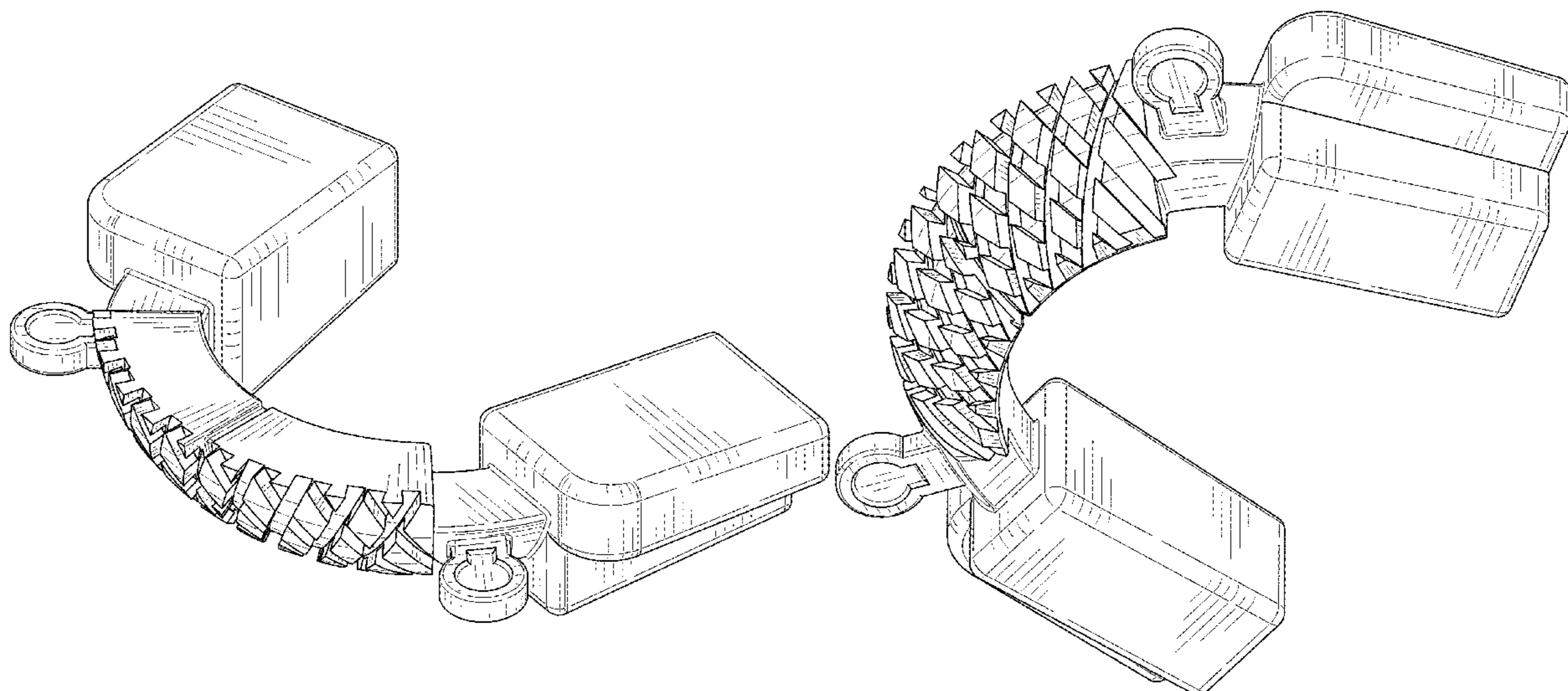
(57) **CLAIM**

The ornamental design for a dental shim, as shown and described.

DESCRIPTION

FIG. 1 is a top perspective view of a dental shim.
 FIG. 2 is a bottom perspective view of a dental shim.
 FIG. 3 is a front view of a dental shim.
 FIG. 4 is a rear view of a dental shim.
 FIG. 5 is a right side view of a dental shim.
 FIG. 6 is a left side view of a dental shim.
 FIG. 7 is a top view of a dental shim; and
 FIG. 8 is a bottom view of a dental shim.

1 Claim, 6 Drawing Sheets



(56)

References Cited

U.S. PATENT DOCUMENTS

8,363,228 B2 1/2013 Babayoff
 D682,431 S * 5/2013 Westerlund D24/181
 8,567,408 B2 * 10/2013 Roettger A63B 71/085
 128/861
 8,617,090 B2 12/2013 Fougere et al.
 8,638,447 B2 1/2014 Babayoff et al.
 8,638,448 B2 1/2014 Babayoff et al.
 8,675,207 B2 3/2014 Babayoff
 8,684,956 B2 4/2014 McDonough et al.
 8,888,727 B2 11/2014 Boyd et al.
 9,022,959 B2 5/2015 Fusi, II et al.
 9,022,960 B2 5/2015 Fougere et al.
 9,022,961 B2 5/2015 Fougere et al.
 9,101,433 B2 8/2015 Babayoff
 9,216,073 B2 12/2015 McDonough et al.
 9,222,768 B2 12/2015 Ernst et al.
 9,299,192 B2 3/2016 Kopelman
 9,308,064 B2 4/2016 Binner et al.
 9,579,173 B2 2/2017 Fougere et al.
 9,615,901 B2 4/2017 Babayoff et al.
 9,770,643 B2 9/2017 Hawkins
 D800,910 S * 10/2017 Layzell D24/181
 2007/0184404 A1 8/2007 Johnki

2011/0027746 A1 2/2011 McDonough et al.
 2011/0072605 A1 3/2011 Steur
 2011/0154595 A1 6/2011 Hill
 2011/0318705 A1 12/2011 Sullivan et al.
 2012/0077144 A1 3/2012 Fougere et al.
 2012/0219926 A1 8/2012 Sullivan et al.
 2012/0318289 A1 12/2012 Sahoo
 2013/0014331 A1 1/2013 Garner et al.
 2013/0190608 A1 7/2013 Schmidt
 2013/0239978 A1 * 9/2013 Stubbs A61F 5/566
 128/861
 2014/0261464 A1 * 9/2014 Layzell A63B 71/085
 128/861
 2016/0235509 A1 8/2016 Freiberg et al.
 2016/0236851 A1 8/2016 Leser et al.
 2019/0000599 A1 1/2019 Hanuschik et al.
 2021/0085436 A1 * 3/2021 Evans A61C 17/0202

OTHER PUBLICATIONS

International Search Report and Written Opinion issued in International Application No. PCT/US2020/028311 dated Aug. 14, 2020, 16 pages.

* cited by examiner

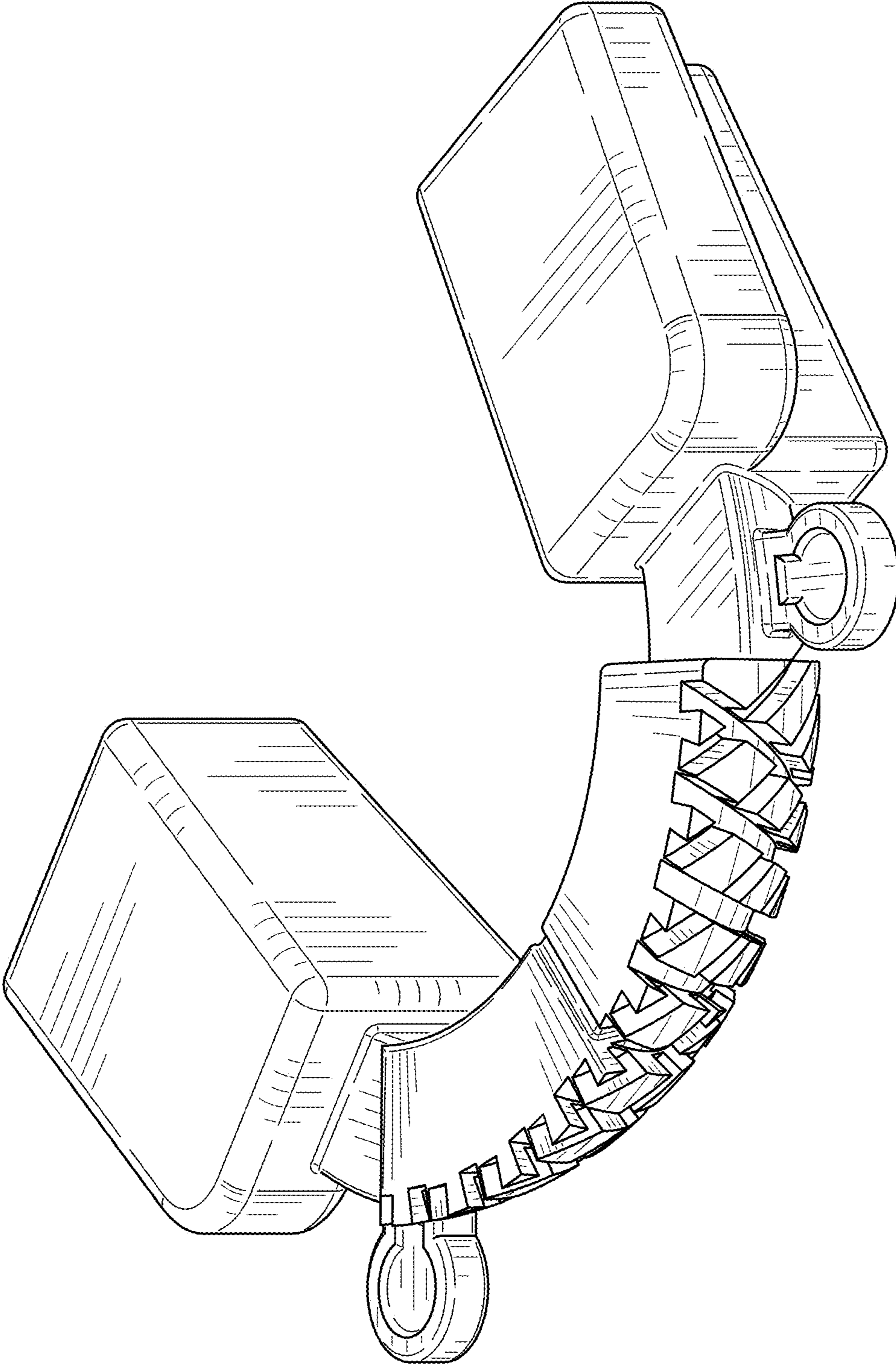


FIG. 1

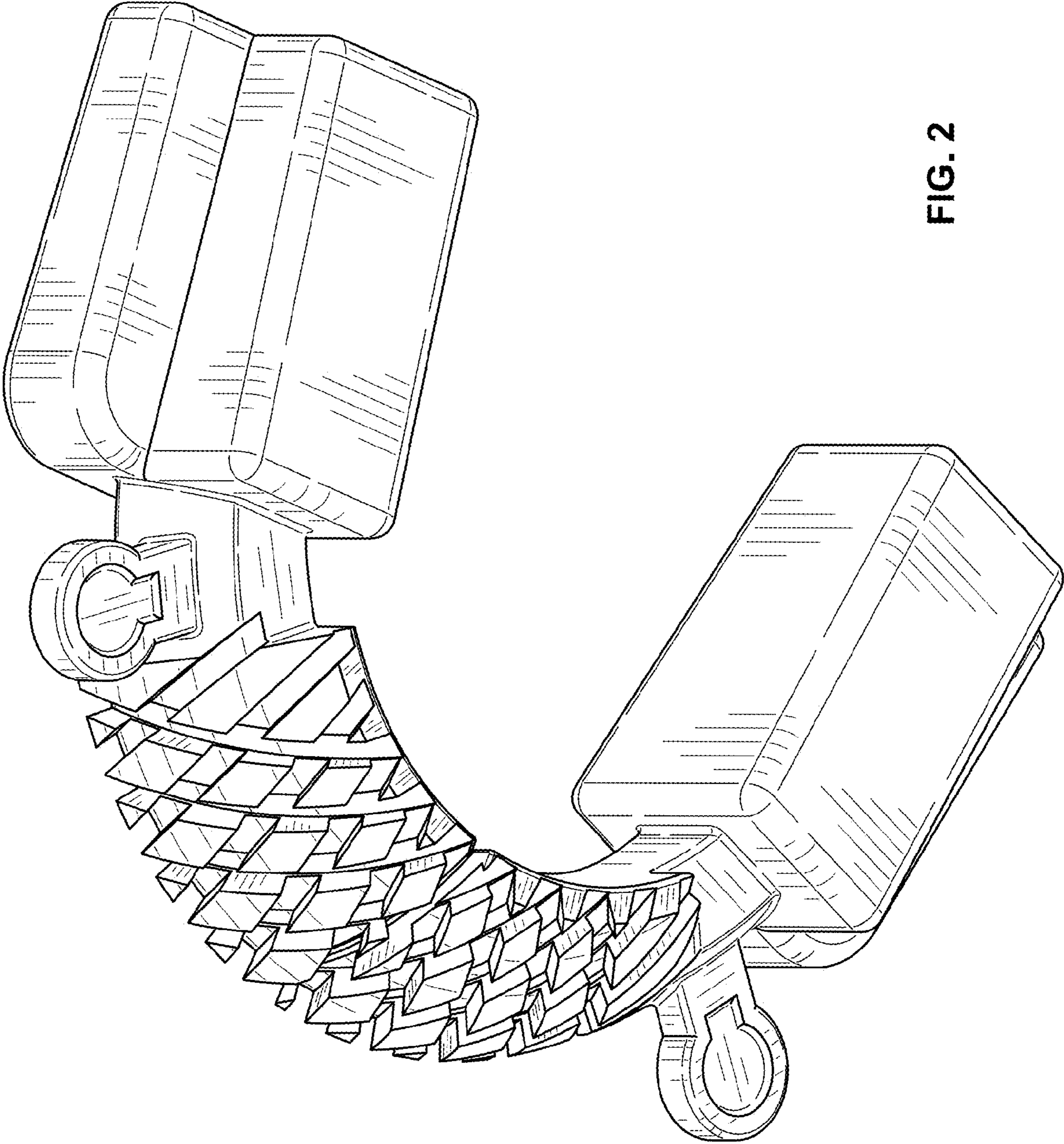


FIG. 2

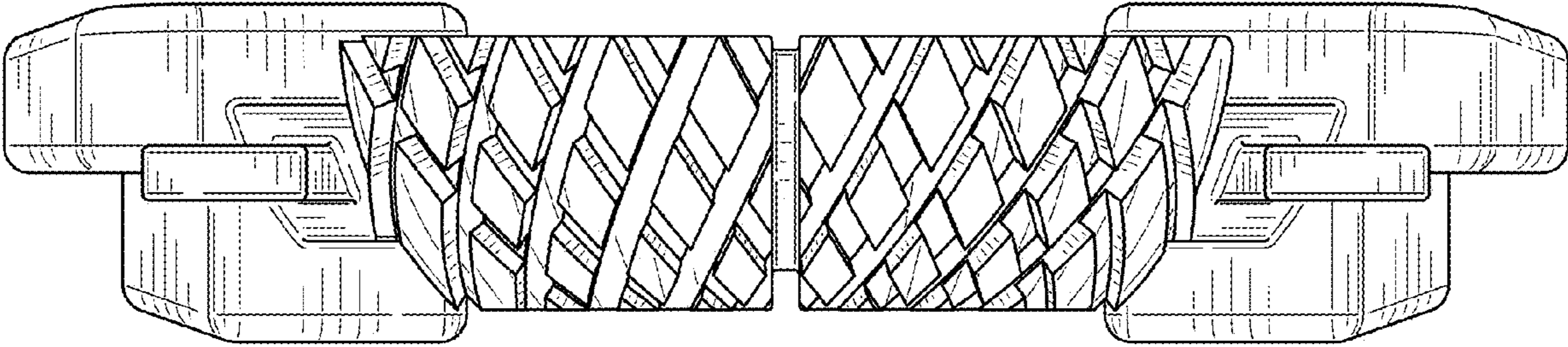


FIG. 3

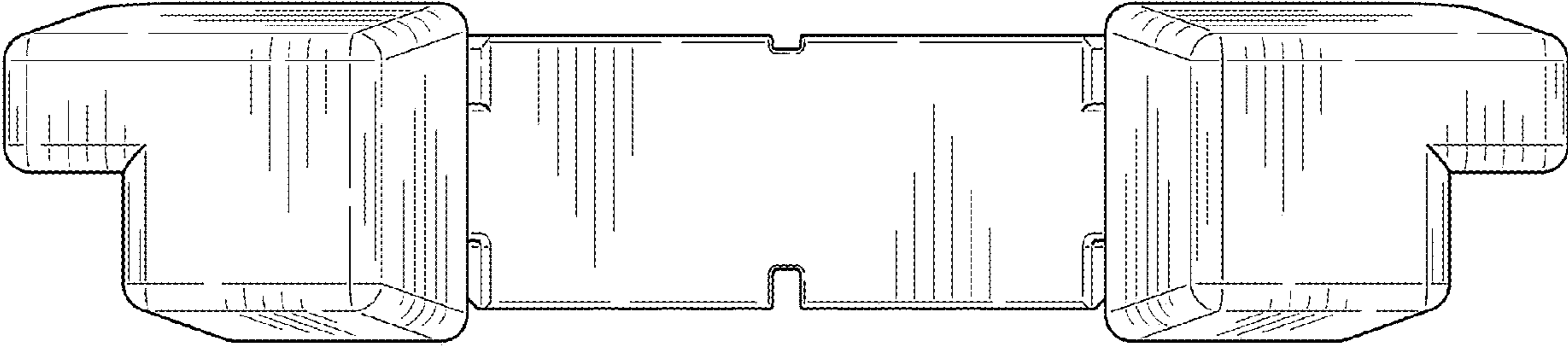


FIG. 4

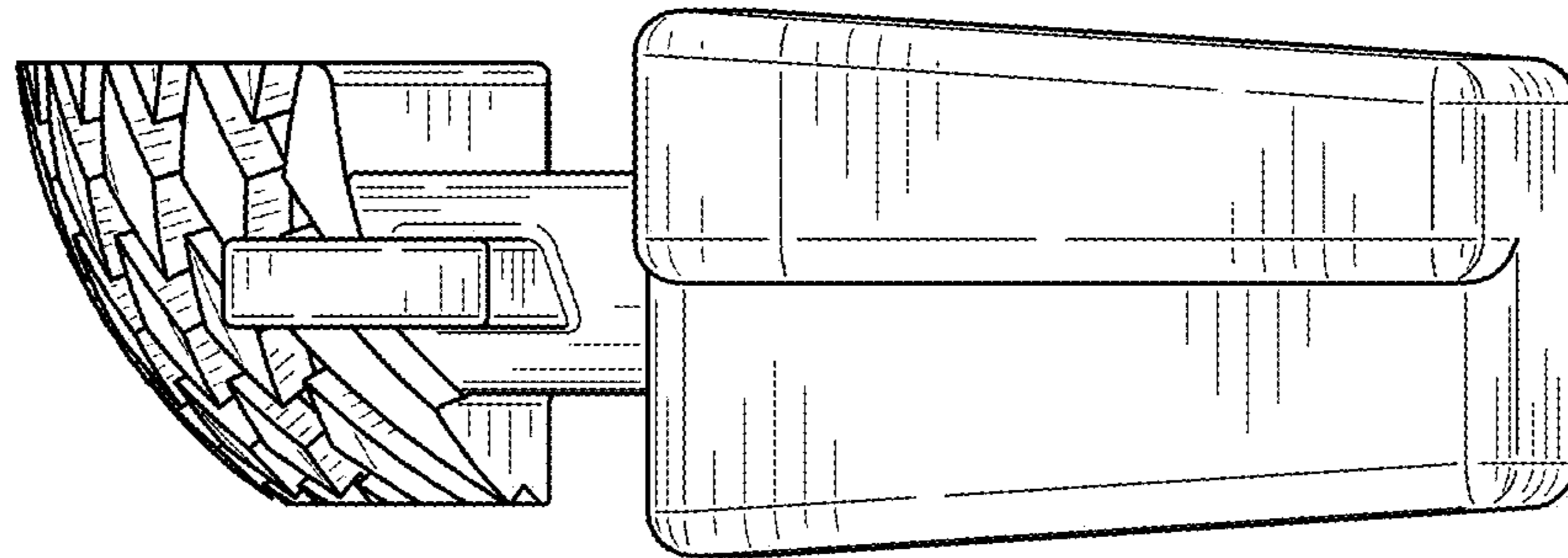


FIG. 5

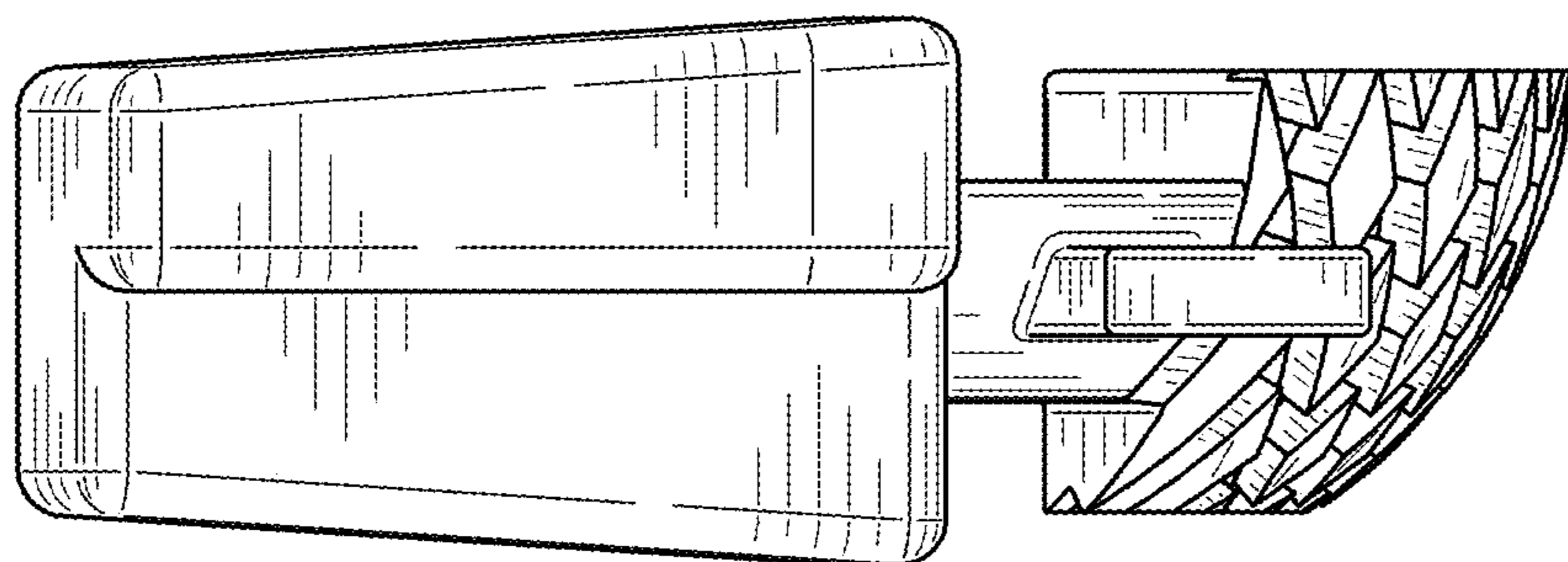


FIG. 6

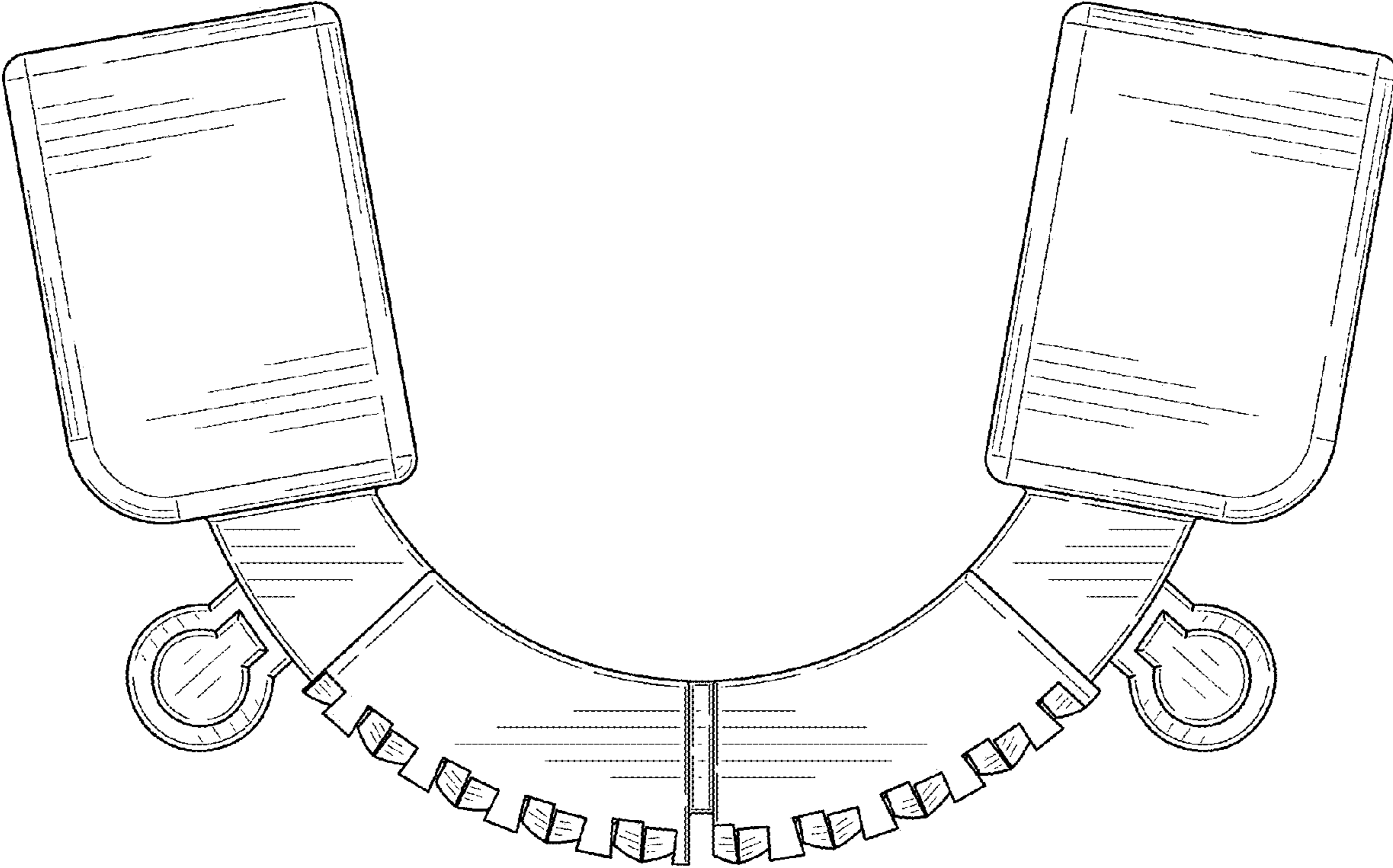


FIG. 7

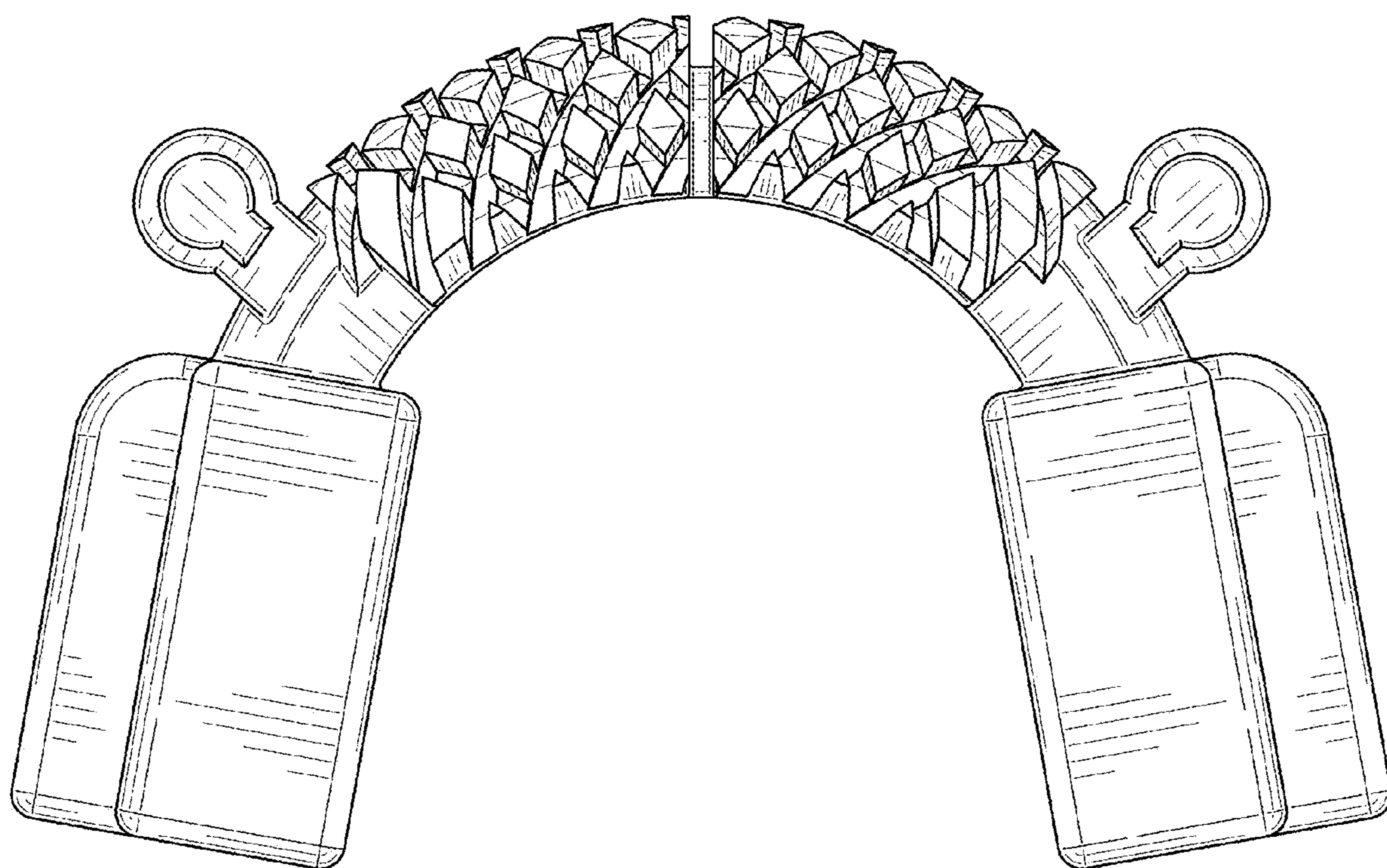


FIG. 8