

US00D956979S

(12) **United States Design Patent** (10) **Patent No.:** **US D956,979 S**
Park (45) **Date of Patent:** **** Jul. 5, 2022**

(54) **DENTAL MEMBRANE**

(71) Applicant: **MEGAGEN IMPLANT CO., LTD.**,
Daegu (KR)

(72) Inventor: **Kwang Bum Park**, Daegu (KR)

(73) Assignee: **MEGAGEN IMPLANT CO., LTD.**,
Daegu (KR)

(**) Term: **15 Years**

(21) Appl. No.: **29/755,228**

(22) Filed: **Oct. 19, 2020**

(30) **Foreign Application Priority Data**

Apr. 29, 2020 (KR) 30-2020-0019150

(51) **LOC (13) Cl.** **24-03**

(52) **U.S. Cl.**
USPC **D24/156**

(58) **Field of Classification Search**
USPC D24/155, 156
CPC A61L 27/44
See application file for complete search history.

(56) **References Cited**

U.S. PATENT DOCUMENTS

D794,180 S * 8/2017 Frisk D24/124
D909,580 S * 2/2021 Edwards D24/155
2007/0276509 A1 * 11/2007 Ratcliffe A61L 27/3633
623/23.74
2009/0004627 A1 * 1/2009 Ishimoto A61L 31/148
433/215
2012/0135376 A1 * 5/2012 Cheung A61L 27/56
433/136

2013/0189645 A1 * 7/2013 Neumeyer A61C 8/00
433/217.1
2013/0236853 A1 * 9/2013 Axelsson A61C 8/0006
433/173
2015/0351869 A1 * 12/2015 Fulkerson A61C 3/10
433/156
2017/0189159 A1 * 7/2017 Bartee A61L 31/146
2017/0203003 A1 * 7/2017 Jo A61K 35/64
2018/0344902 A1 * 12/2018 Stiefel A61F 2/2875
2019/0151510 A1 * 5/2019 Tasciotti A61L 27/3834
2019/0274790 A1 * 9/2019 Karmon A61F 2/2803

* cited by examiner

Primary Examiner — Charles D Hanson
(74) *Attorney, Agent, or Firm* — Berenato & White, LLC

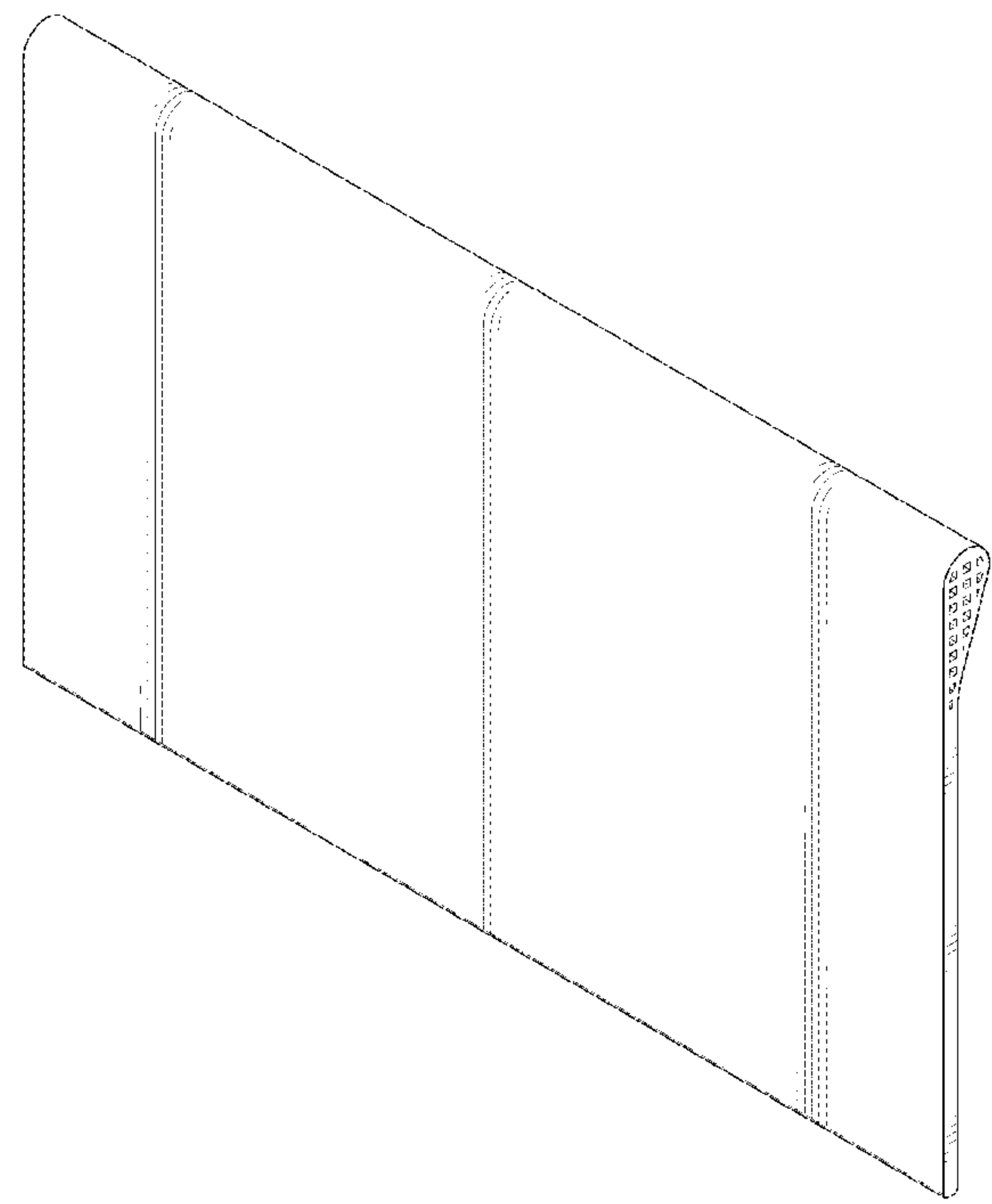
(57) **CLAIM**

The ornamental design for a dental membrane, as shown and described.

DESCRIPTION

FIG. 1 is a front perspective view of my dental membrane;
FIG. 2 is a front view;
FIG. 3 is a rear view;
FIG. 4 is a left side view;
FIG. 4A is an enlarged view of the encircled portion of FIG. 4;
FIG. 5 is a right side view;
FIG. 6 is a top view;
FIG. 7 is a bottom view; and,
FIG. 8 is a perspective view of the dental membrane in an installed orientation.
The dashed lines form no part of the claimed design and illustrate environment only.

1 Claim, 6 Drawing Sheets



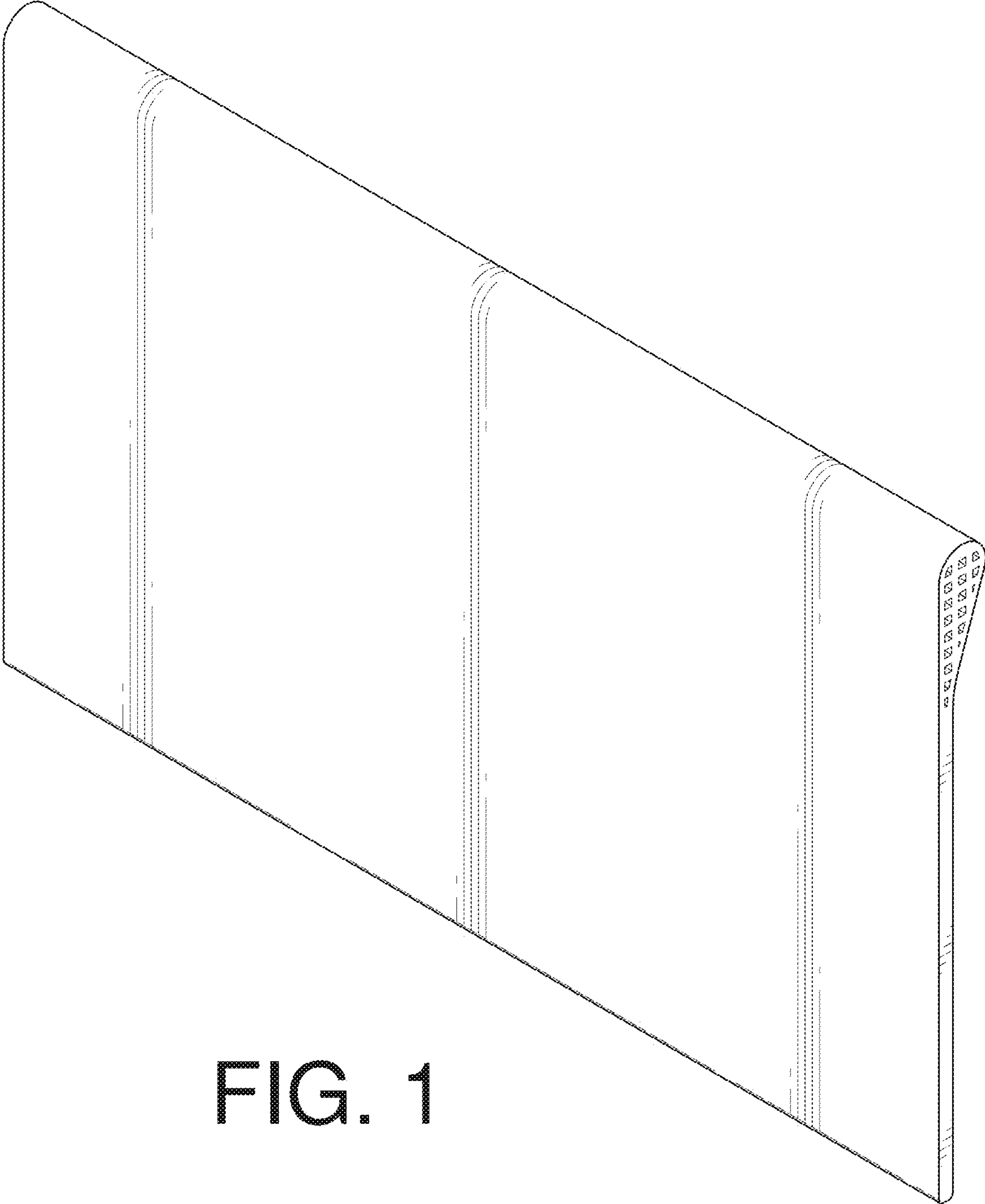


FIG. 1

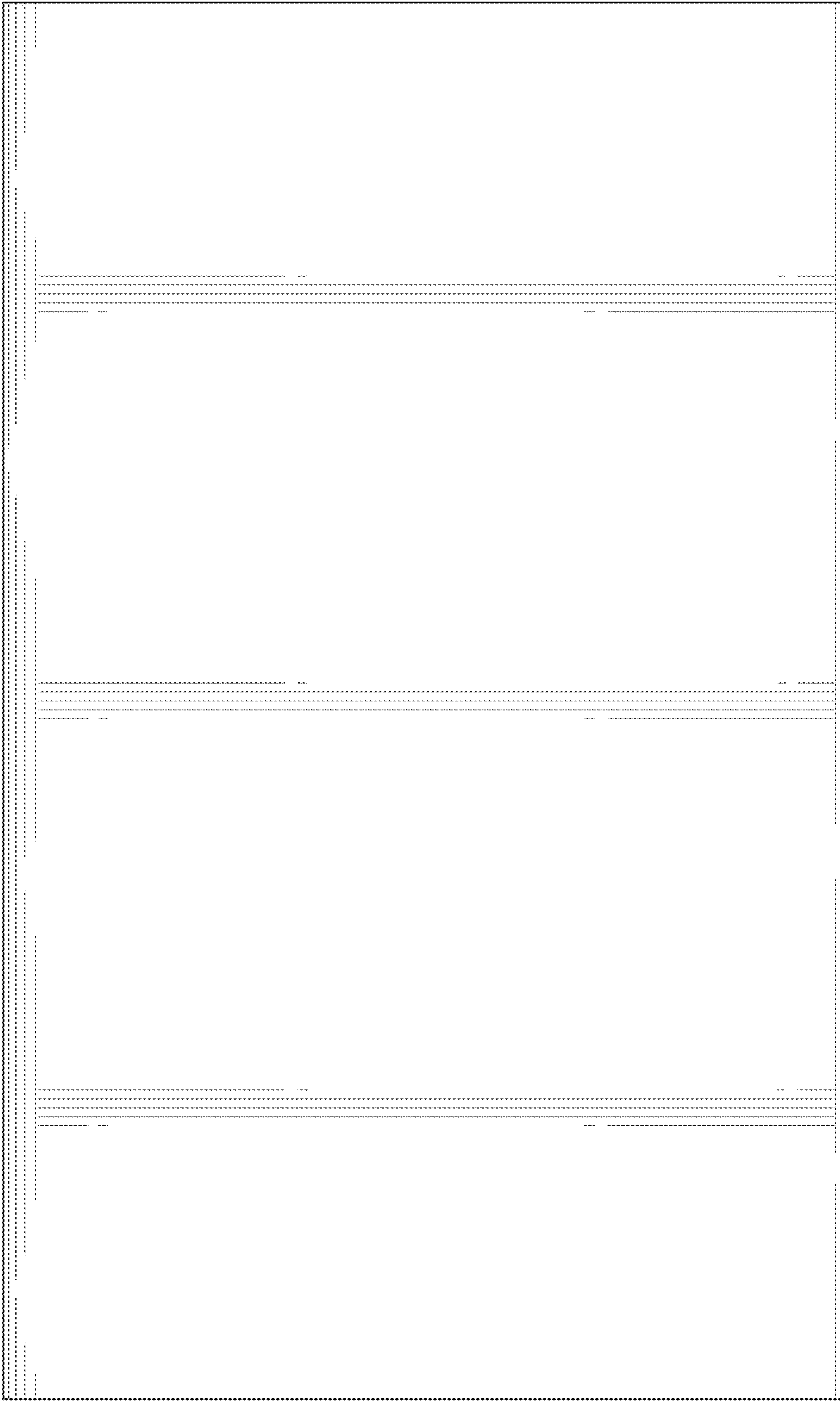


FIG. 2

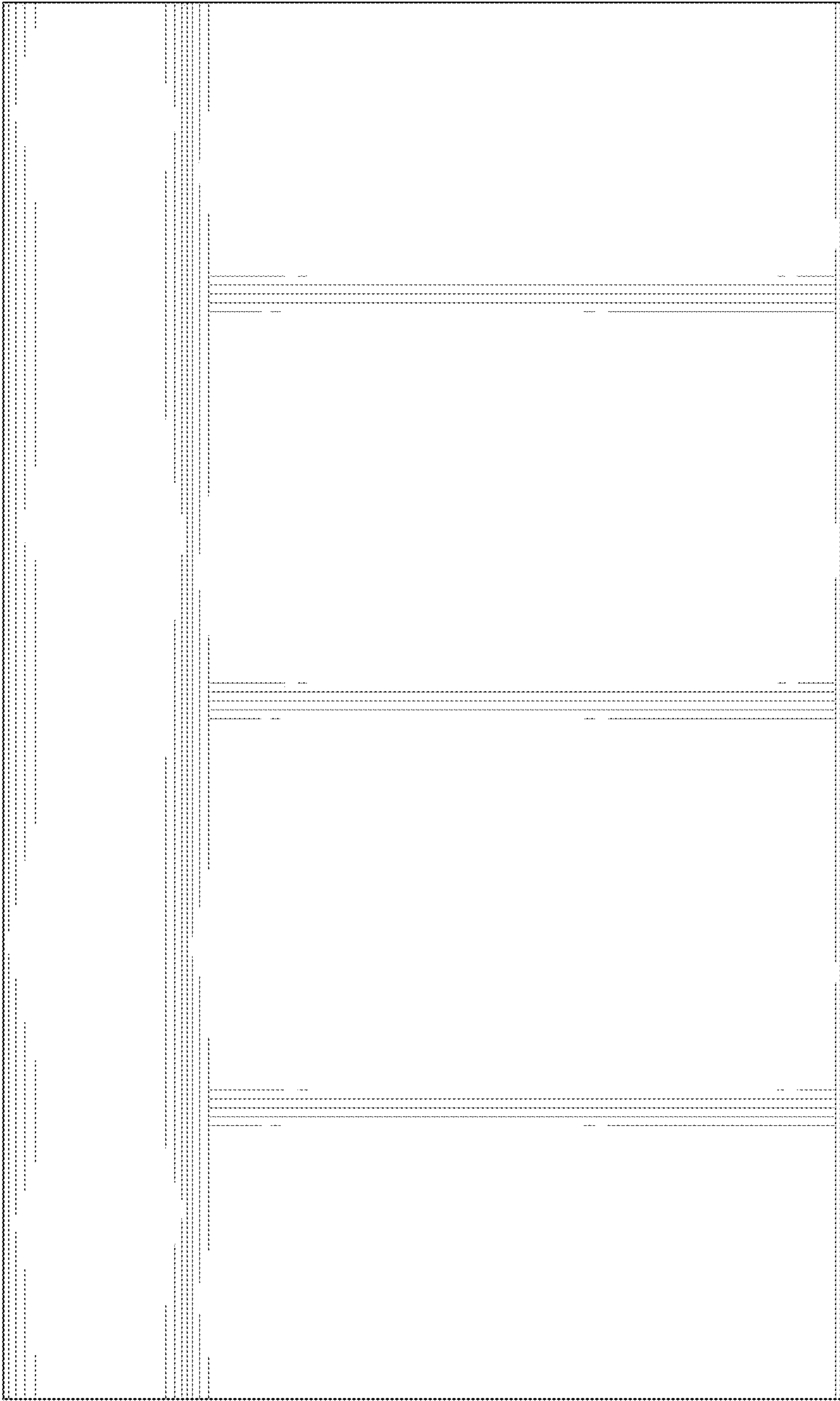


FIG. 3

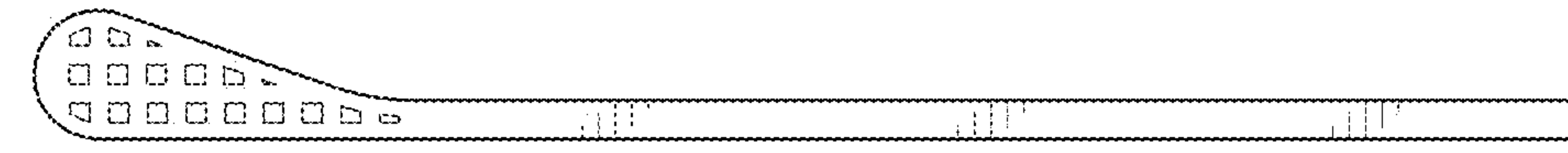


FIG. 5

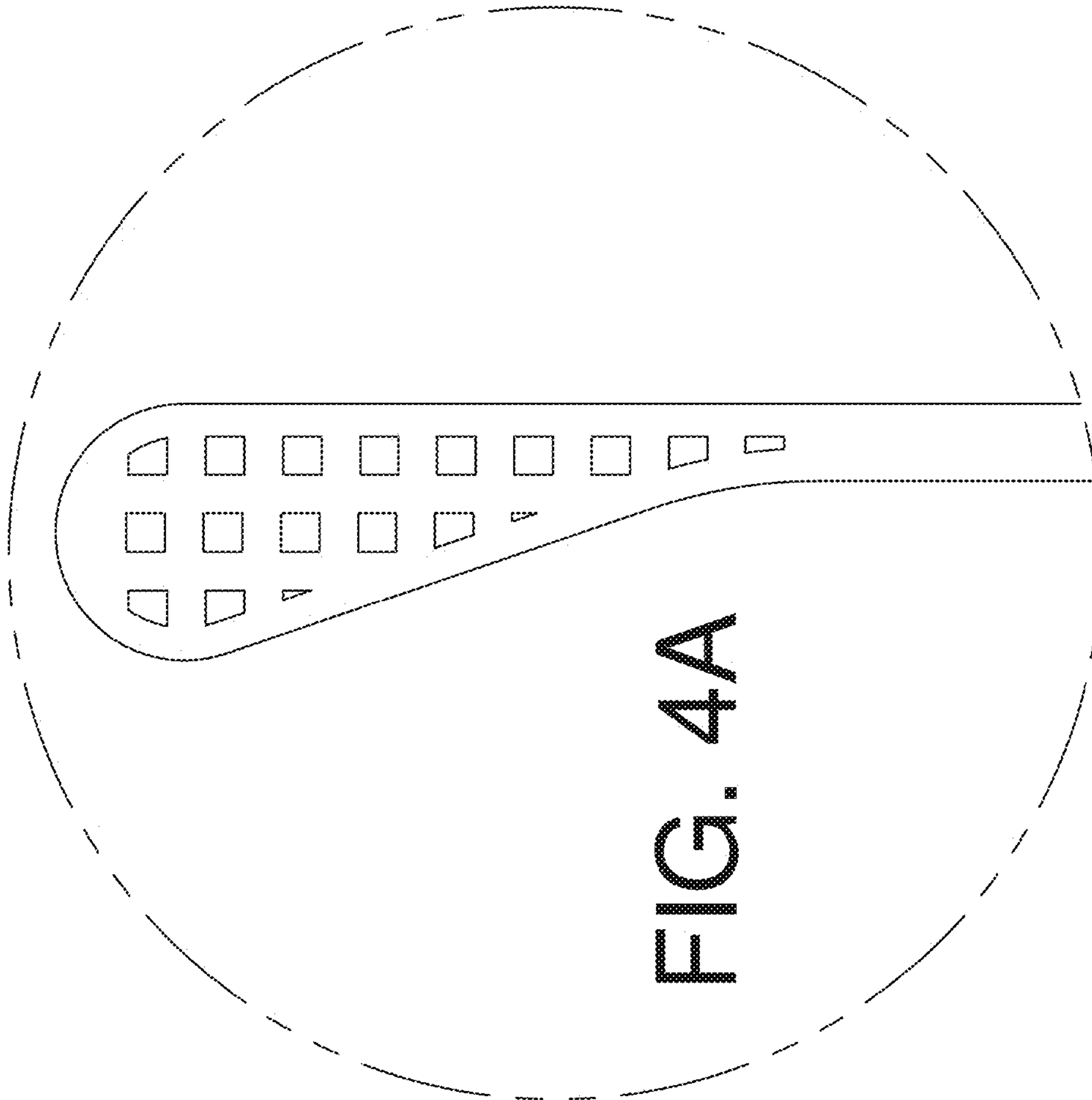


FIG. 4A

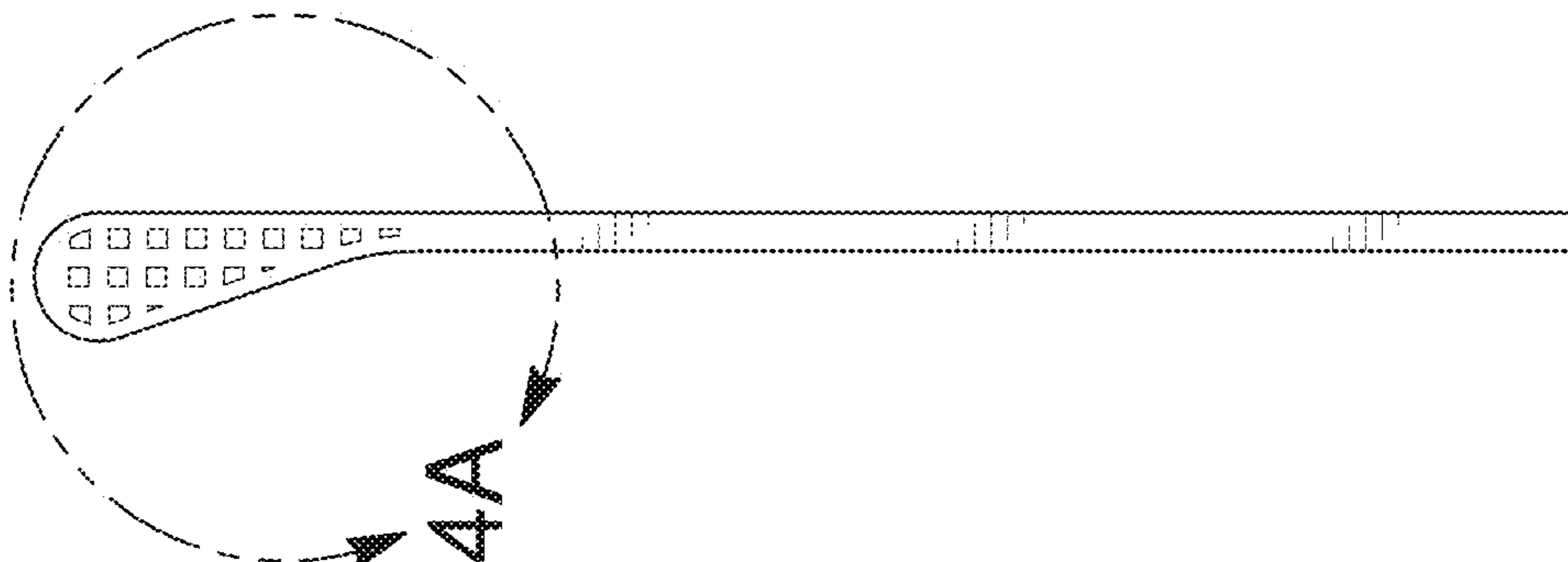


FIG. 4



FIG. 6

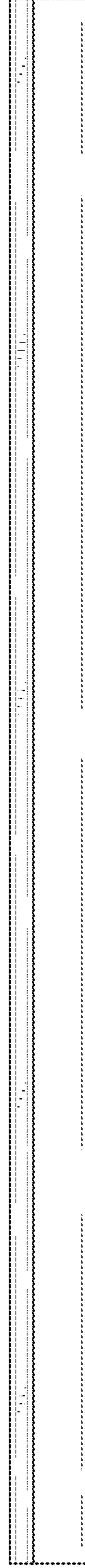


FIG. 7

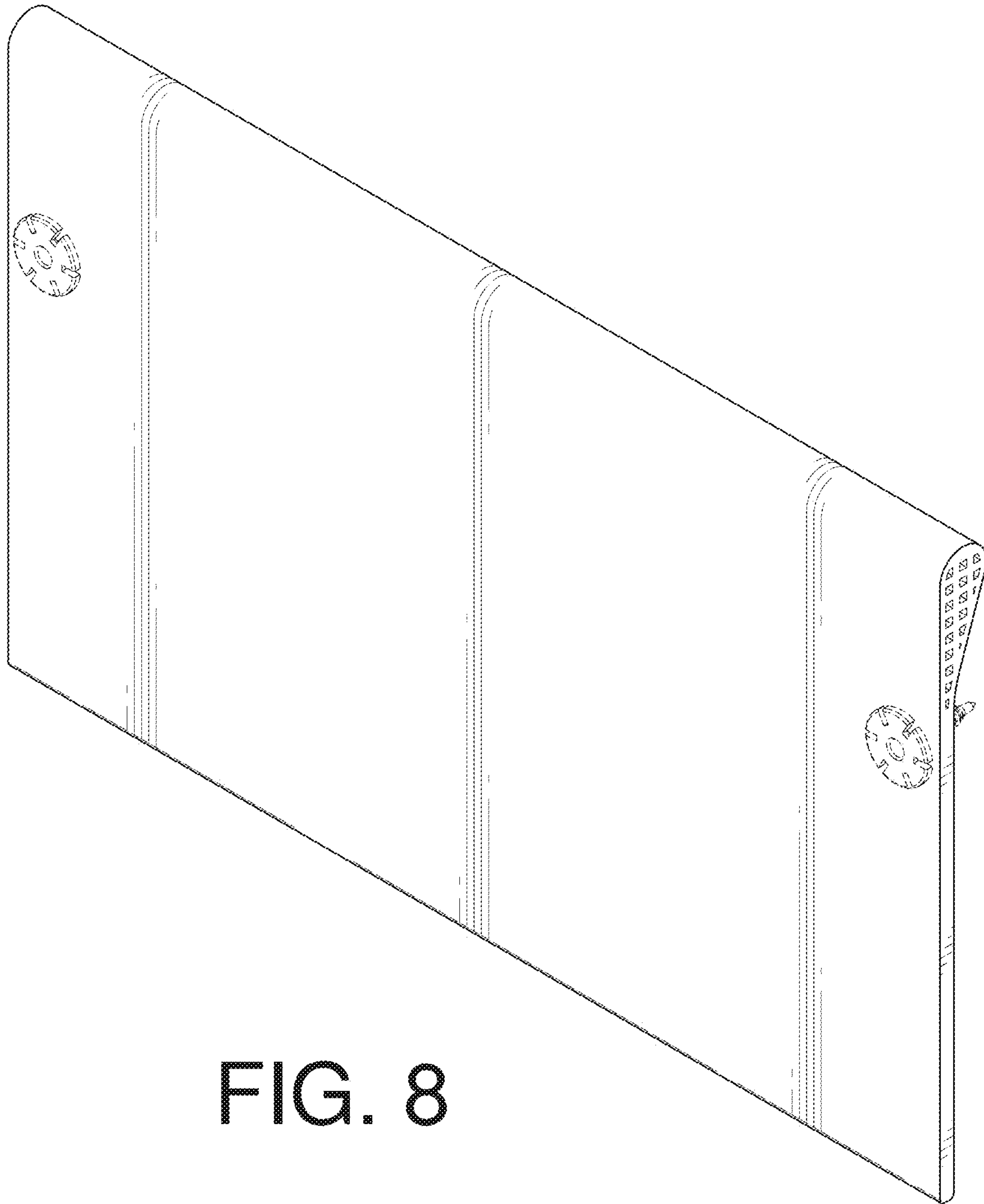


FIG. 8