



US00D956978S

(12) **United States Design Patent** (10) **Patent No.:** **US D956,978 S**  
**Park** (45) **Date of Patent:** **\*\* Jul. 5, 2022**

- (54) **DENTAL MEMBRANE**
- (71) Applicant: **MEGAGEN IMPLANT CO., LTD.**,  
Daegu (KR)
- (72) Inventor: **Kwang Bum Park**, Daegu (KR)
- (73) Assignee: **MEGAGEN IMPLANT CO., LTD.**,  
Daegu (KR)
- (\*\*) Term: **15 Years**
- (21) Appl. No.: **29/755,223**
- (22) Filed: **Oct. 19, 2020**
- (30) **Foreign Application Priority Data**
- Apr. 29, 2020 (KR) ..... 30-2020-0019149
- (51) **LOC (13) Cl.** ..... **24-03**
- (52) **U.S. Cl.**  
USPC ..... **D24/156**
- (58) **Field of Classification Search**  
USPC ..... D24/155, 156  
CPC ..... A61L 27/44  
See application file for complete search history.
- (56) **References Cited**
- U.S. PATENT DOCUMENTS
- |                   |         |           |       |              |
|-------------------|---------|-----------|-------|--------------|
| D794,180 S *      | 8/2017  | Frisk     | ..... | D24/124      |
| D909,580 S *      | 2/2021  | Edwards   | ..... | D24/155      |
| 2007/0276509 A1 * | 11/2007 | Ratcliffe | ..... | A61L 27/3633 |
|                   |         |           |       | 623/23.74    |
| 2009/0004627 A1 * | 1/2009  | Ishimoto  | ..... | A61L 31/148  |
|                   |         |           |       | 433/215      |
| 2012/0135376 A1 * | 5/2012  | Cheung    | ..... | A61L 27/56   |
|                   |         |           |       | 433/136      |

- |                   |         |           |       |              |
|-------------------|---------|-----------|-------|--------------|
| 2013/0189645 A1 * | 7/2013  | Neumeyer  | ..... | A61C 8/00    |
|                   |         |           |       | 433/217.1    |
| 2013/0236853 A1 * | 9/2013  | Axelsson  | ..... | A61C 8/0006  |
|                   |         |           |       | 433/173      |
| 2015/0351869 A1 * | 12/2015 | Fulkerson | ..... | A61C 3/10    |
|                   |         |           |       | 433/156      |
| 2017/0189159 A1 * | 7/2017  | Bartee    | ..... | A61L 31/146  |
| 2017/0203003 A1 * | 7/2017  | Jo        | ..... | A61K 35/64   |
| 2018/0344902 A1 * | 12/2018 | Stiefel   | ..... | A61F 2/2875  |
| 2019/0151510 A1 * | 5/2019  | Tasciotti | ..... | A61L 27/3834 |
| 2019/0274790 A1 * | 9/2019  | Karmon    | ..... | A61F 2/2803  |

\* cited by examiner

Primary Examiner — Charles D Hanson

(74) Attorney, Agent, or Firm — Berenato & White, LLC

(57) **CLAIM**

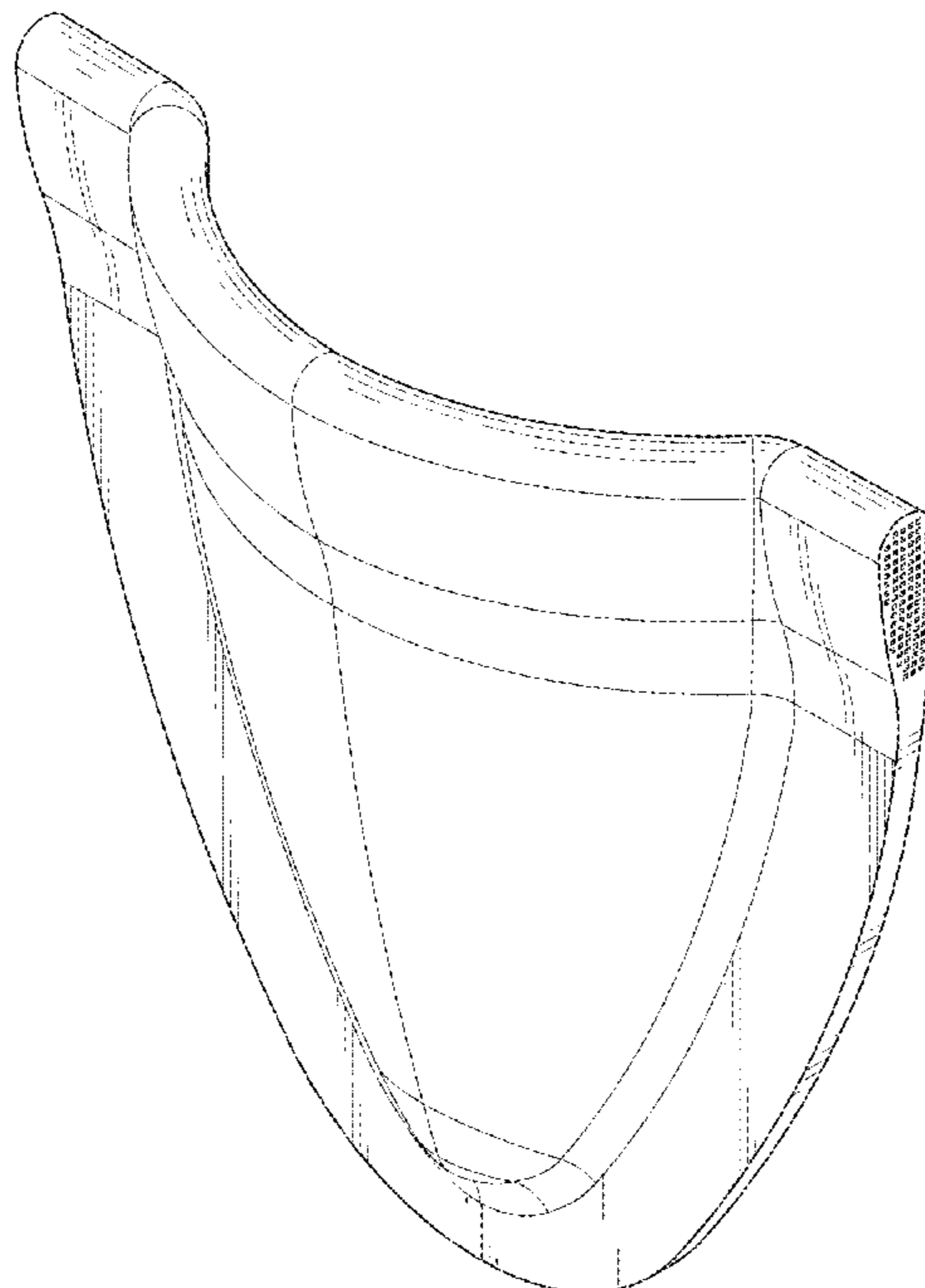
The ornamental design for a dental membrane, as shown and described.

**DESCRIPTION**

FIG. 1 is a front perspective view of my dental membrane;  
 FIG. 2 is a front view;  
 FIG. 2A is a cross-sectional view taken along the line 2A-2A of FIG. 2;  
 FIG. 3 is a rear view;  
 FIG. 4 is a left side view;  
 FIG. 4A is an enlarged view of the encircled portion of FIG. 4;  
 FIG. 5 is a right side view;  
 FIG. 6 is a top plan view;  
 FIG. 7 is a bottom plan view; and,  
 FIG. 8 is a perspective view of the dental membrane in an installed orientation.

The dashed lines form no part of the claimed design and illustrate environment only.

**1 Claim, 8 Drawing Sheets**



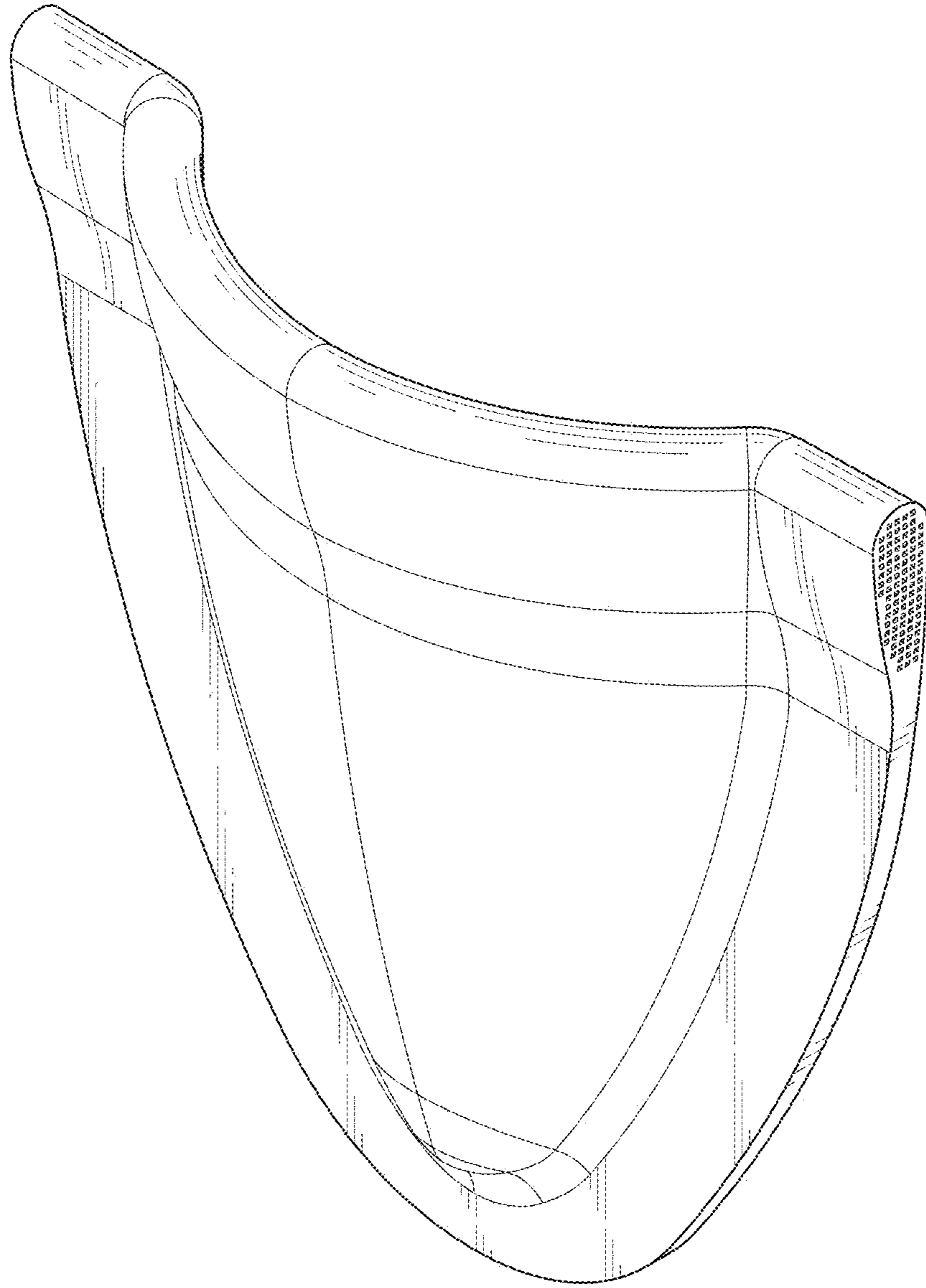


FIG. 1

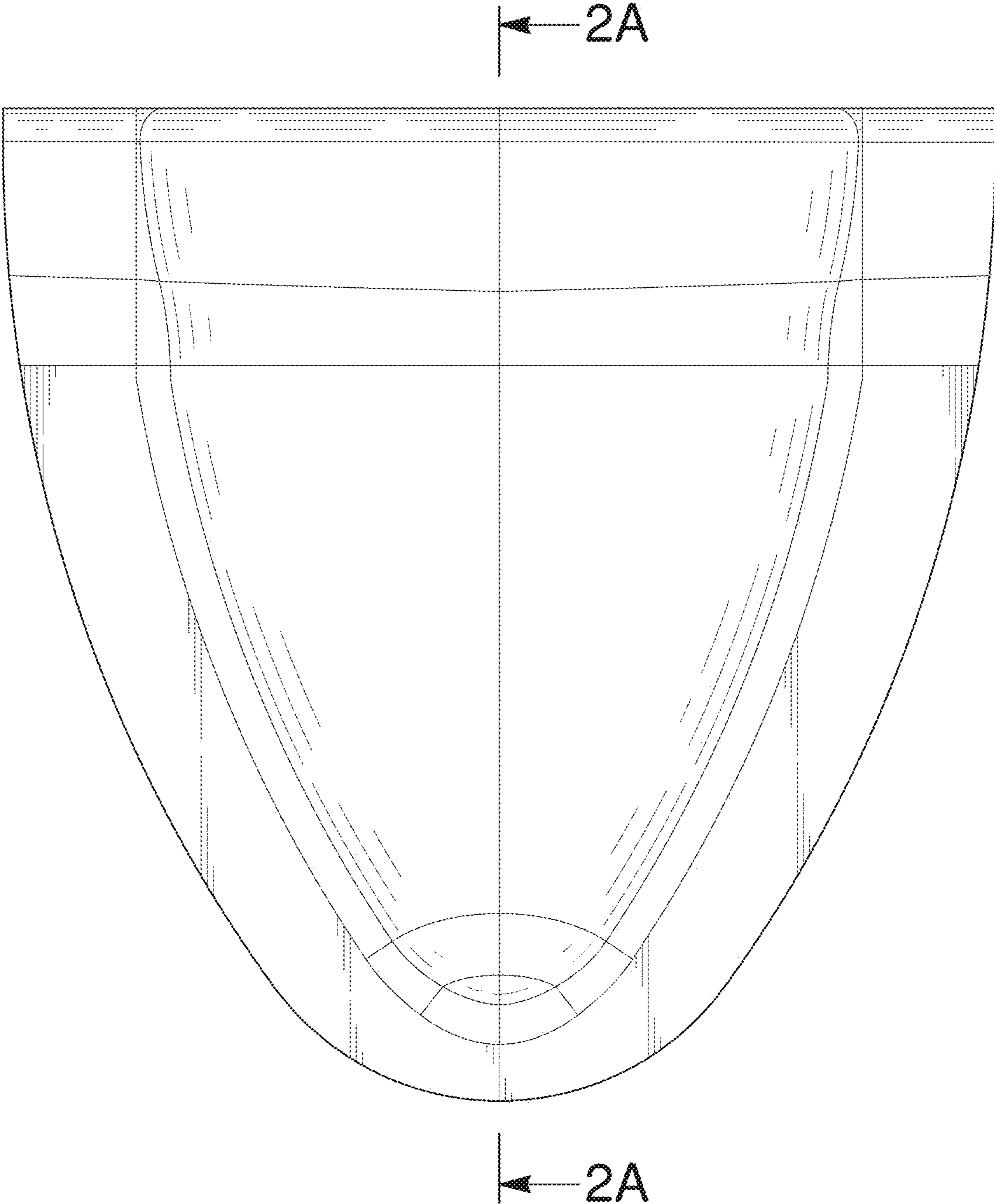


FIG. 2

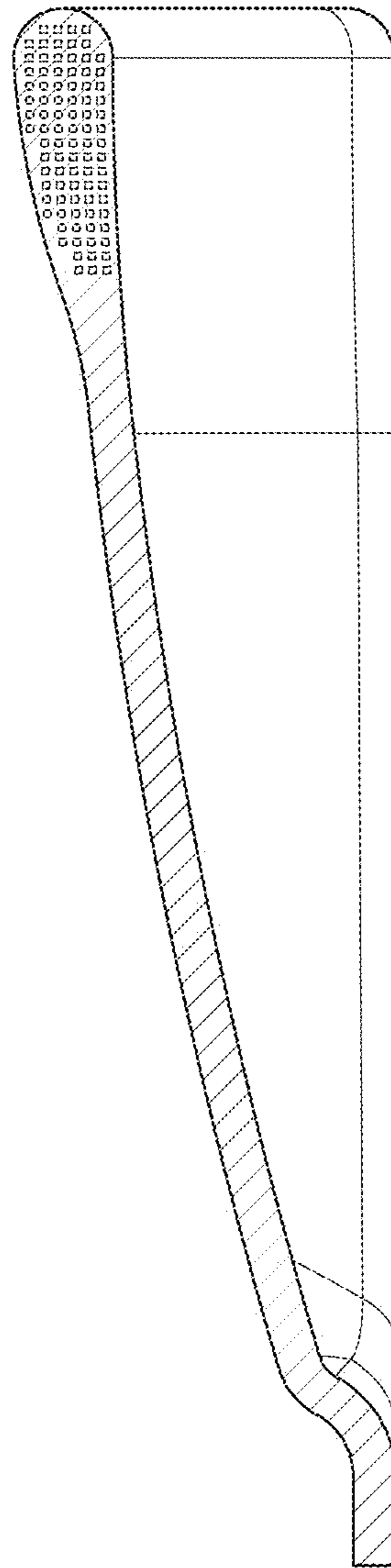


FIG. 2A

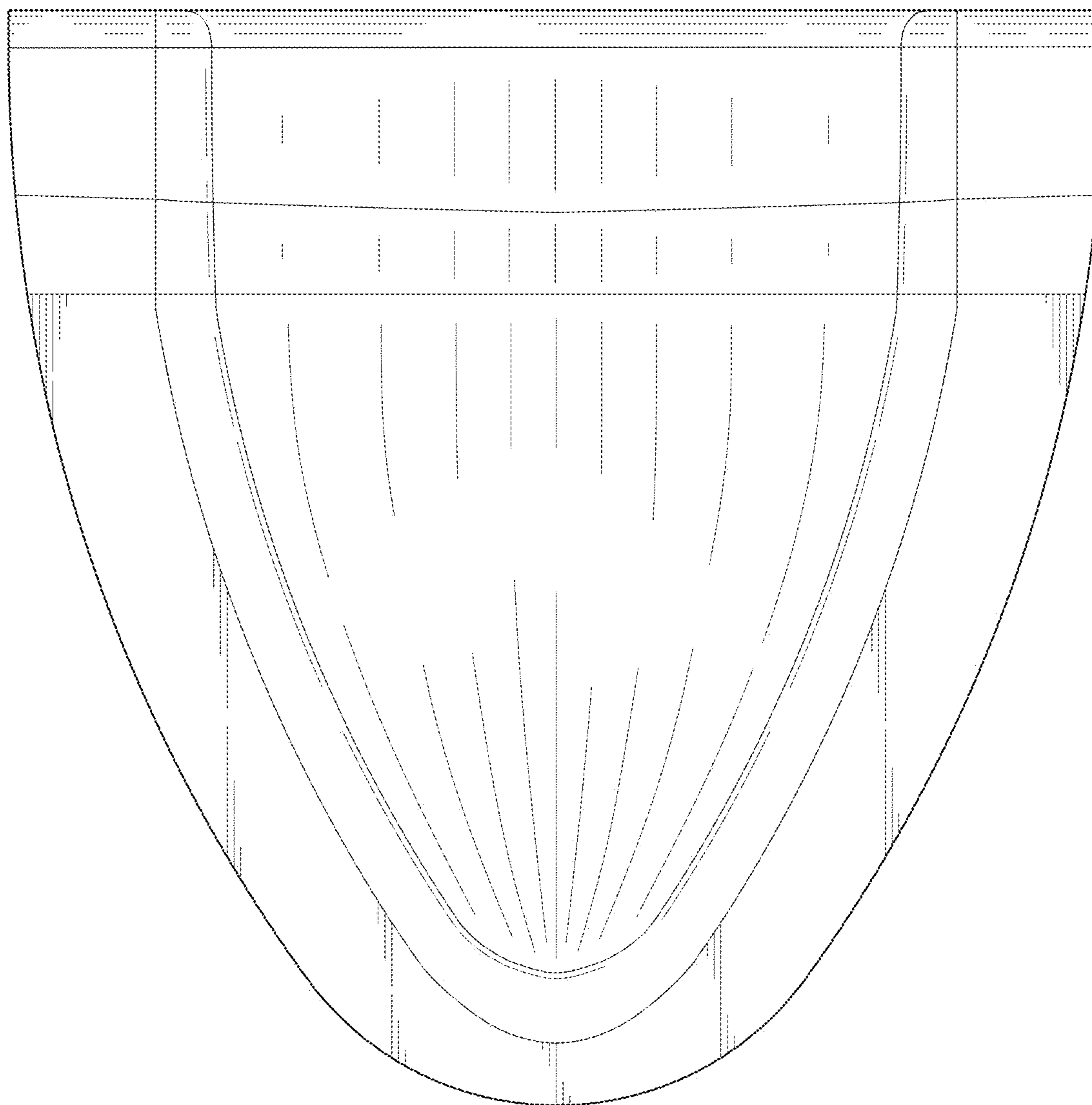


FIG. 3

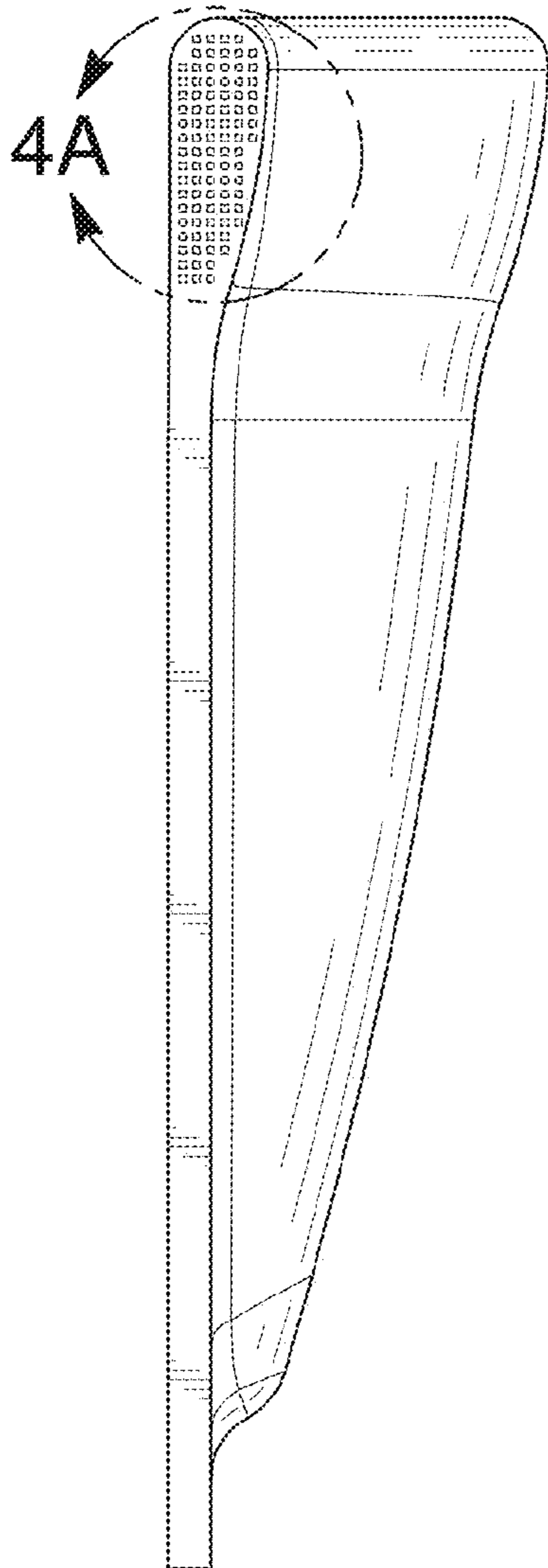


FIG. 4

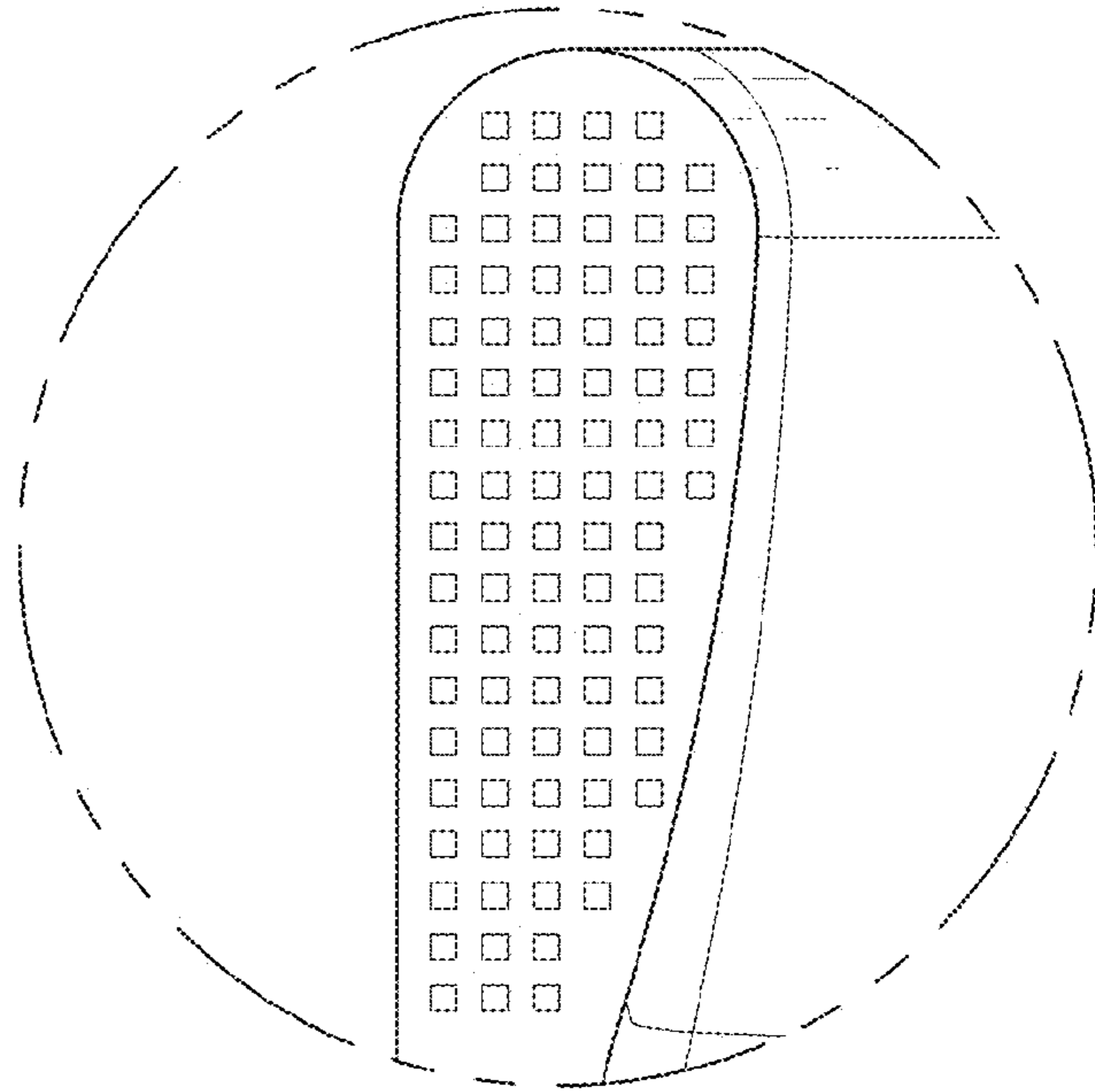


FIG. 4A

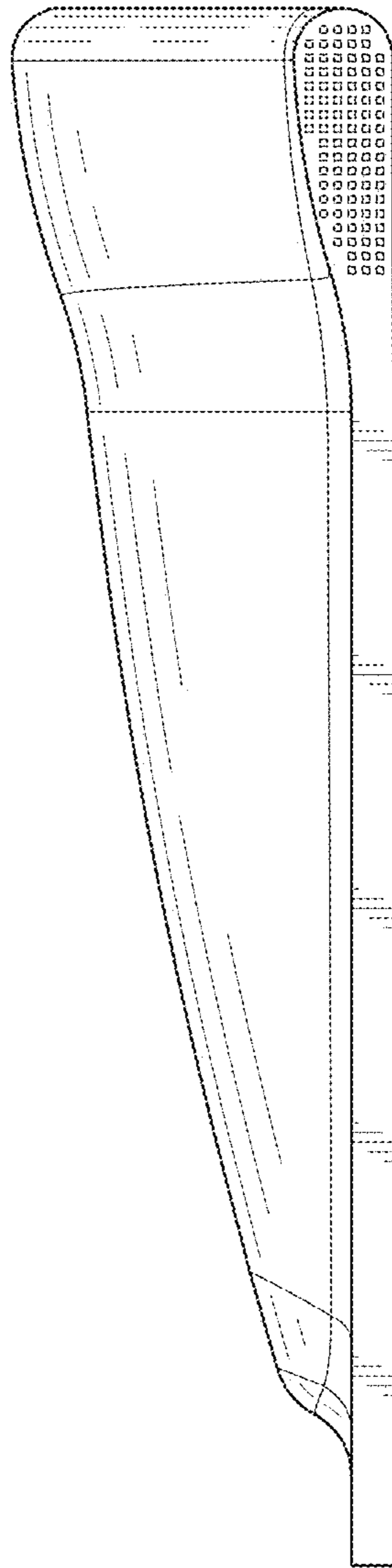


FIG. 5

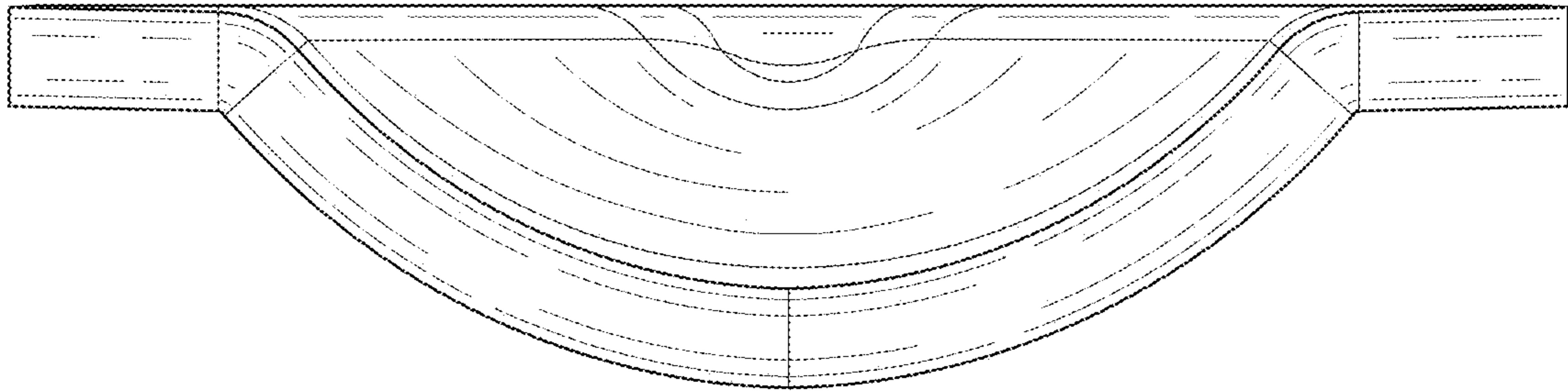


FIG. 6

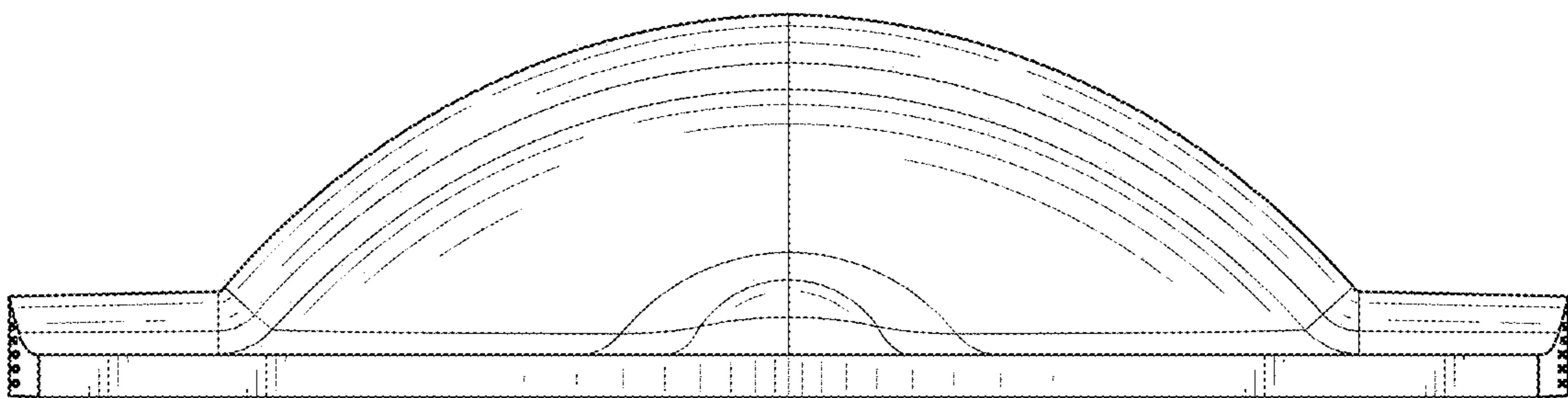


FIG. 7



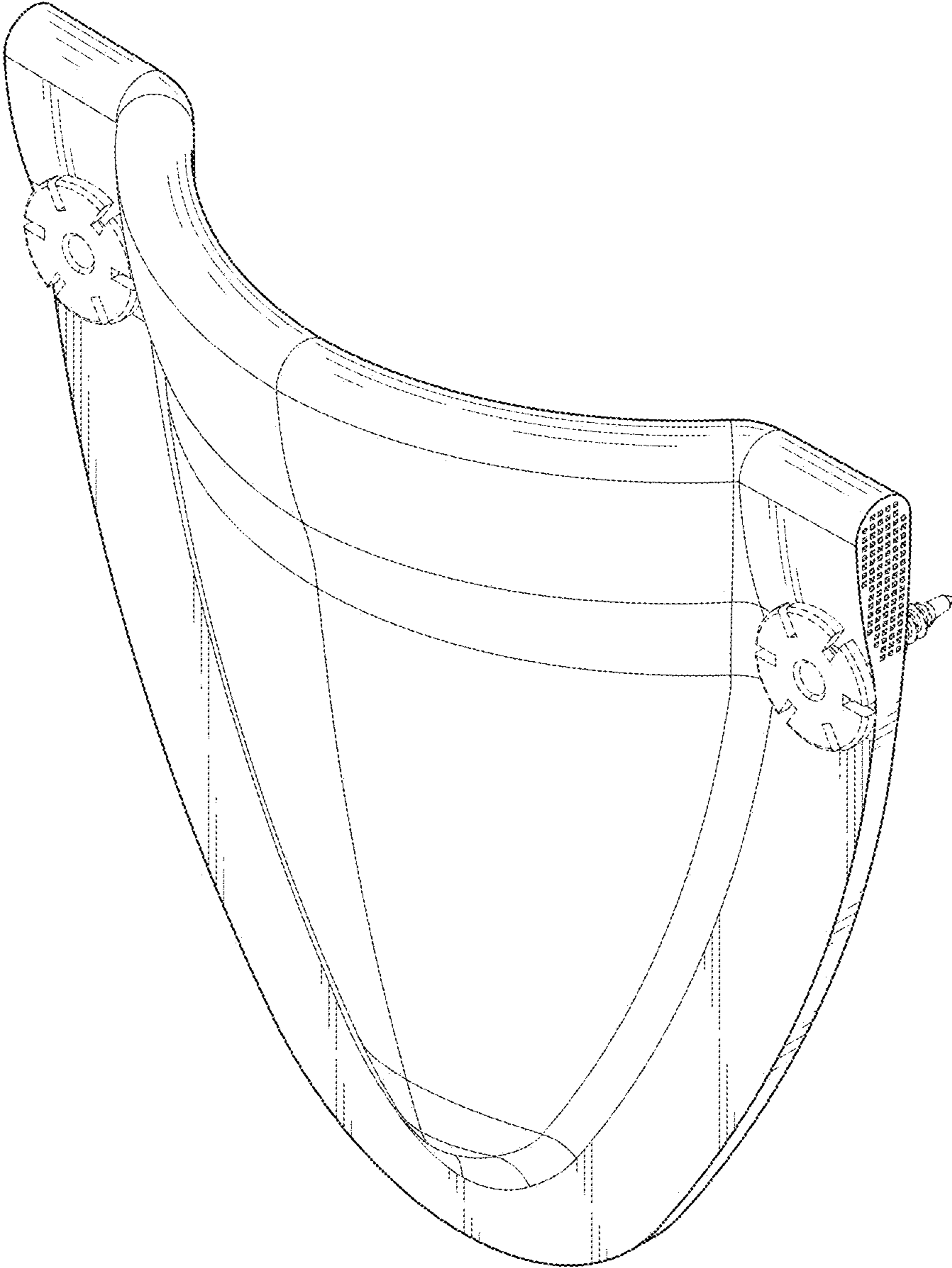


FIG. 8