



US00D956976S

(12) **United States Design Patent** (10) **Patent No.:** **US D956,976 S**  
**Onorato** (45) **Date of Patent:** **\*\* Jul. 5, 2022**

(54) **MEASUREMENT GUIDE FOR A CYST, LESION OR SKIN DISORDER**

6,171,276 B1 1/2001 Lippe et al.  
6,203,530 B1 3/2001 Stewart, Sr.  
6,790,456 B2 9/2004 Vogel et al.  
7,442,185 B2 10/2008 Amark et al.

(71) Applicant: **Joseph Onorato**, Oyster Bay, NY (US)

(Continued)

(72) Inventor: **Joseph Onorato**, Oyster Bay, NY (US)

**FOREIGN PATENT DOCUMENTS**

(\* ) Notice: This patent is subject to a terminal disclaimer.

EP 0186752 A2 7/1986  
EP 2 145 642 A2 1/2010

(\*\*) Term: **15 Years**

(Continued)

(21) Appl. No.: **29/738,147**

**OTHER PUBLICATIONS**

(22) Filed: **Jun. 15, 2020**

International Search Report and Written Opinion issued in related International Application No. PCT/US17/24828 dated Aug. 11, 2017.

**Related U.S. Application Data**

(Continued)

(63) Continuation of application No. 29/669,176, filed on Nov. 6, 2018, now Pat. No. Des. 893,715.

*Primary Examiner* — Bridget L Eland

(51) **LOC (13) Cl.** ..... **24-02**

(74) *Attorney, Agent, or Firm* — Michele V. Frank; Venable LLP

(52) **U.S. Cl.**

USPC ..... **D24/140**

(58) **Field of Classification Search**

USPC ..... D24/140, 133; D10/64, 65, 70  
CPC ..... A61B 5/0215; A61B 5/6851  
See application file for complete search history.

(57) **CLAIM**

The ornamental design for a measurement guide for a cyst, lesion or skin disorder, as shown and described.

(56) **References Cited**

**DESCRIPTION**

**U.S. PATENT DOCUMENTS**

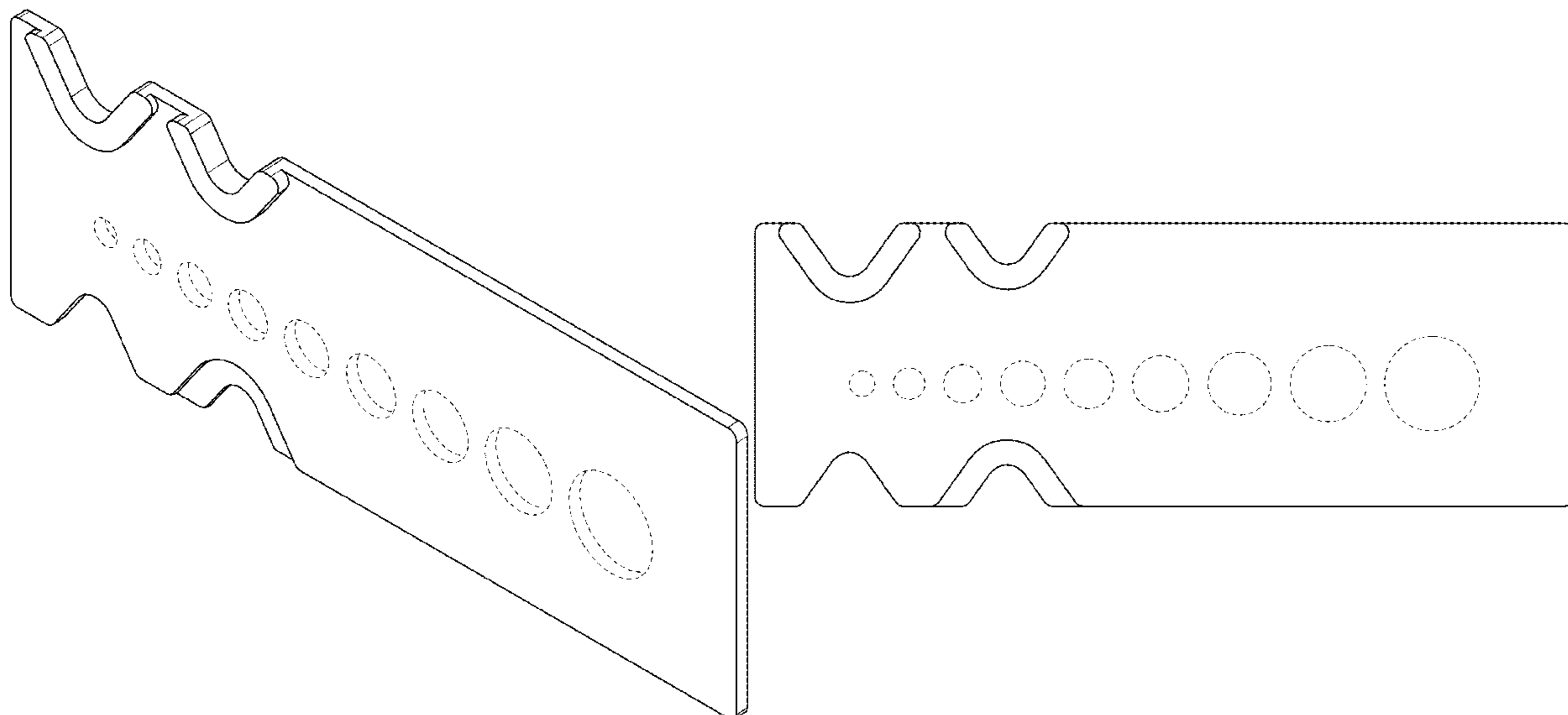
2,565,081 A 8/1951 Maynes  
D279,358 S \* 6/1985 Lichtman ..... D10/70  
5,034,002 A 7/1991 Duranzampa et al.  
5,042,977 A 8/1991 Bechtold et al.  
D320,658 S 10/1991 Quigley et al.  
5,104,380 A 4/1992 Holman et al.  
5,256,140 A 10/1993 Fallick  
D343,236 S 1/1994 Quigley et al.  
D346,022 S 4/1994 Quigley et al.  
D353,458 S 12/1994 Quigley et al.  
5,480,387 A 1/1996 Gabriel et al.  
5,705,363 A 1/1998 Imakawa  
5,741,212 A 4/1998 Matthews

FIG. 1 is a perspective view of an embodiment of a measure guide for a cyst, lesion, or skin disorder, showing my new design;

FIG. 2 is a front view thereof;  
FIG. 3 is a rear view thereof;  
FIG. 4 is a left view thereof;  
FIG. 5 is a right view thereof;  
FIG. 6 is a top view thereof; and,  
FIG. 7 is a bottom view thereof.

The features shown in broken lines form no part of the claimed design.

**1 Claim, 3 Drawing Sheets**



(56)

References Cited

U.S. PATENT DOCUMENTS

D621,938 S	8/2010	Petersen et al.	
8,123,724 B2	2/2012	Gillespie, III	
8,128,960 B2	3/2012	Kabra et al.	
D669,985 S	10/2012	Cheney et al.	
D725,267 S	3/2015	Gantes	
D728,110 S	4/2015	Corbett, III et al.	
D736,380 S *	8/2015	Van Dalen .....	D24/150
D750,776 S	3/2016	Lytle et al.	
D755,964 S	5/2016	Freudenthal	
D784,536 S	4/2017	Freudenthal	
D821,578 S *	6/2018	Miller .....	D24/140
D829,908 S	10/2018	Wonderley	
D830,549 S	10/2018	Wartinbee	
D879,292 S *	3/2020	Freitas .....	D24/140
D882,780 S *	4/2020	Rustamzadeh .....	D24/135
D893,715 S *	8/2020	Onorato .....	D24/140
2003/0040716 A1	2/2003	Heiniger et al.	
2004/0225276 A1	11/2004	Burgess	
2006/0037091 A1	2/2006	Gurtner et al.	
2007/0197968 A1	8/2007	Pongpairachana et al.	
2008/0015503 A1	1/2008	Jansen et al.	
2010/0100039 A1	4/2010	Wyrick	
2010/0152667 A1	6/2010	Kietzmann	
2010/0274178 A1	10/2010	LePivert	
2012/0004620 A1	1/2012	Spool et al.	
2012/0056019 A1	3/2012	Renz et al.	
2014/0039451 A1	2/2014	Bangera et al.	
2014/0323837 A1	10/2014	Hirshberg	
2014/0336577 A1	11/2014	McCoy	
2015/0110892 A1	4/2015	Gammelsaeter et al.	

FOREIGN PATENT DOCUMENTS

EP	2871064 A1	5/2015
KR	101525854 B1	6/2015
WO	2015/134226 A1	9/2015

OTHER PUBLICATIONS

Extended European Search Report issued in related European Application No. 17776583.1 dated Mar. 8, 2018.

European Office Action issued in related European Application No. 17776 583.1 dated Oct. 15, 2018.

Ellzey, Inga, MPA Rhia, CDC, Size Matters, Nov. 21, 2014, The Dermatologist, <<https://www.the-dermatologist.com/content/size-matters>>. Accessed Dec. 21, 2018 (Year: 2014).

Office Action issued in related U.S. Appl. No. 15/444,598 dated Aug. 9, 2018.

Office Action issued in related U.S. Appl. No. 15/444,598 dated Feb. 11, 2019.

Office Action issued in related U.S. Appl. No. 15/444,598 dated Aug. 12, 2019.

Office Action issued in related U.S. Appl. No. 15/240,679 dated Dec. 22, 2016.

Examination report issued in related Australian Patent Application No. 2017245259 dated Feb. 14, 2019.

Office Action issued in related U.S. Appl. No. 29/669,176 dated Nov. 15, 2019.

Notice of Allowance issued in related U.S. Appl. No. 15/444,598 dated Jan. 8, 2020.

\* cited by examiner

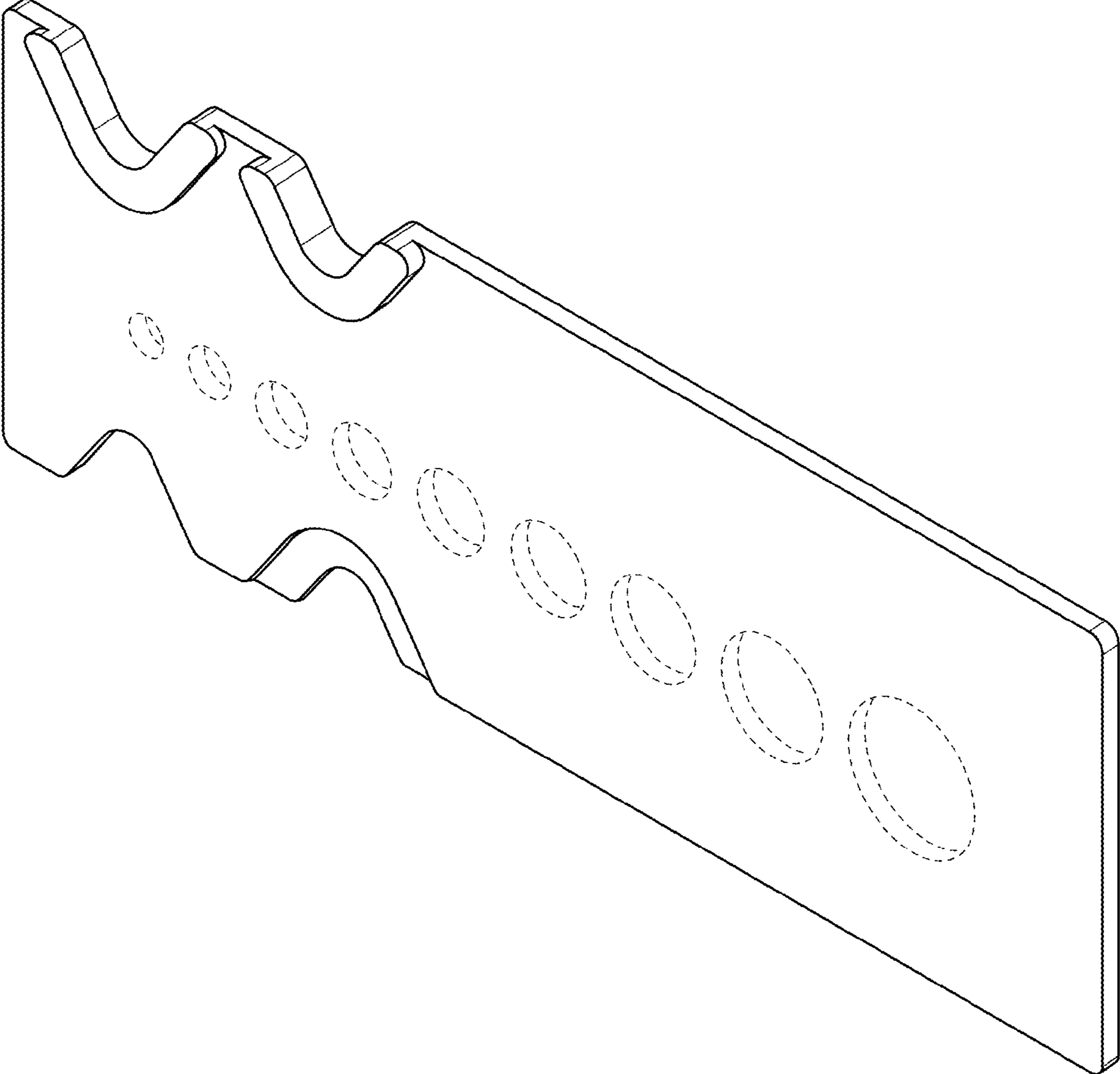


FIG. 1

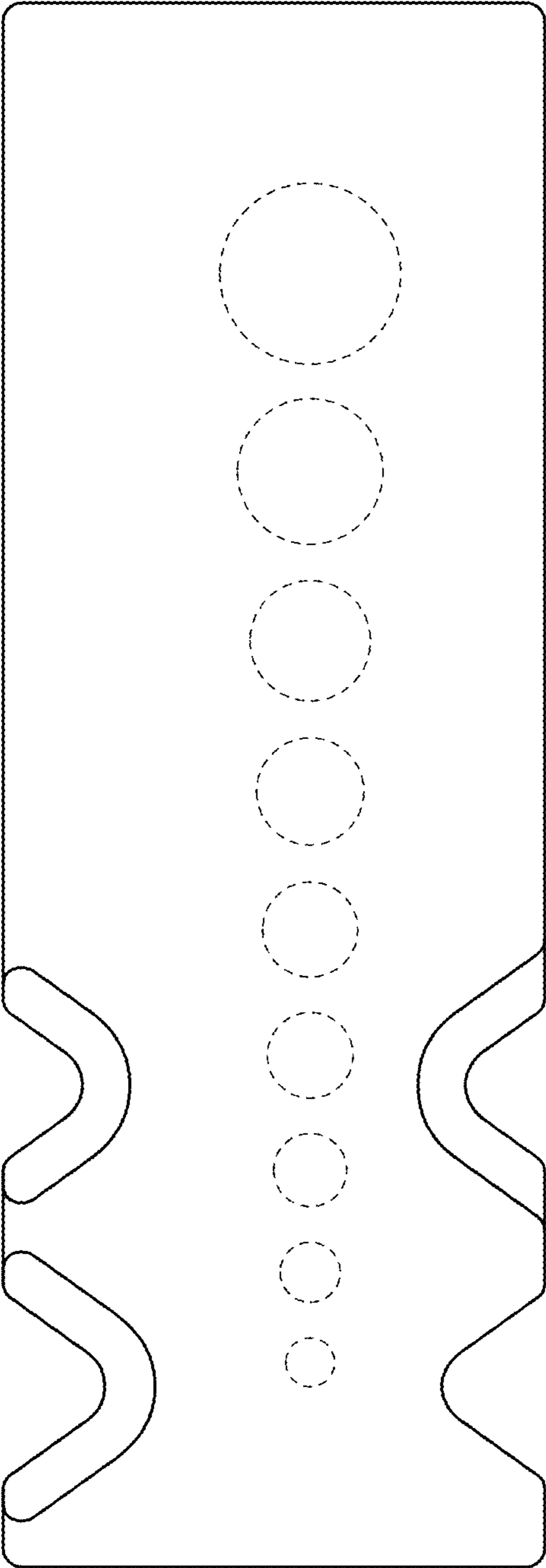


FIG. 2

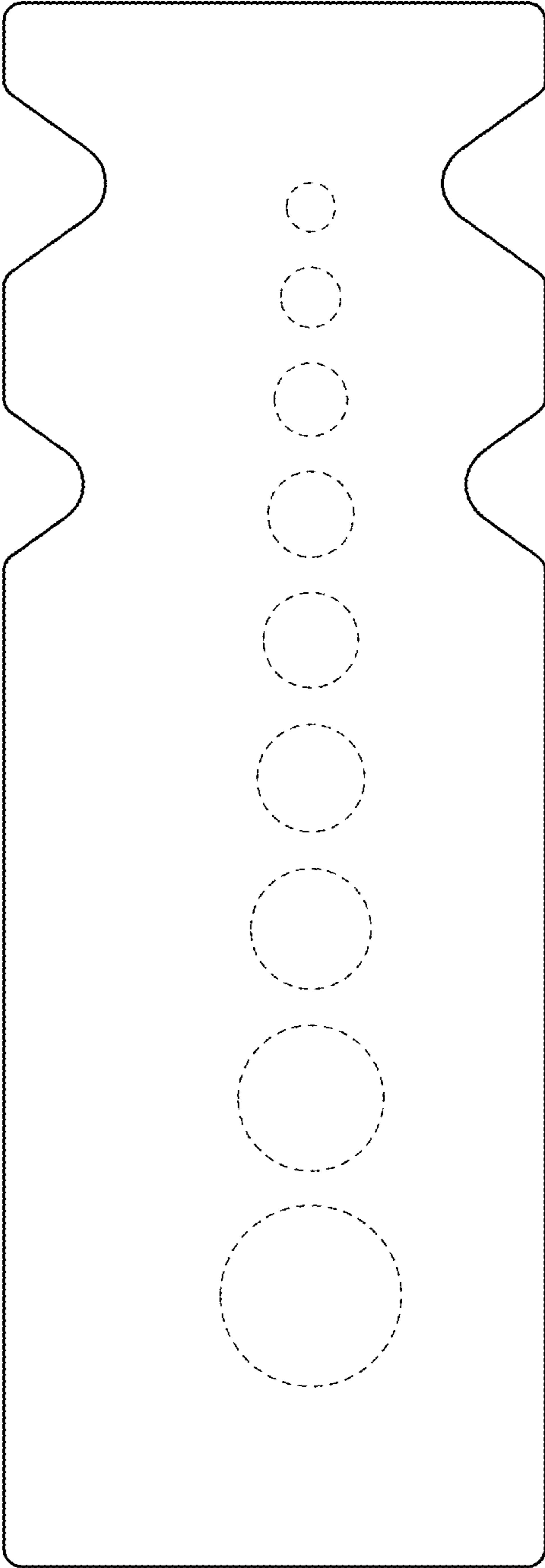


FIG. 3

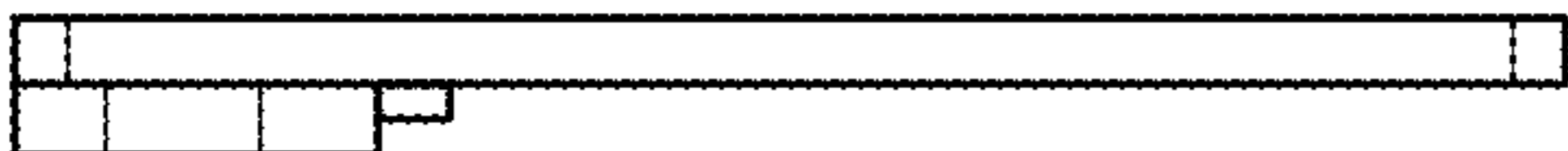


FIG. 4



FIG. 5



FIG. 6



FIG. 7