



US00D956974S

(12) **United States Design Patent**
Suzuki

(10) **Patent No.:** **US D956,974 S**
(45) **Date of Patent:** **** Jul. 5, 2022**

- (54) **ENDOSCOPE OPERATING UNIT**
- (71) Applicant: **OLYMPUS CORPORATION**, Tokyo (JP)
- (72) Inventor: **Tatsuhiko Suzuki**, Kunitachi (JP)
- (73) Assignee: **OLYMPUS CORPORATION**, Tokyo (JP)
- (**) Term: **15 Years**
- (21) Appl. No.: **29/694,743**
- (22) Filed: **Jun. 13, 2019**
- (51) **LOC (13) Cl.** **24-02**
- (52) **U.S. Cl.**
USPC **D24/138**
- (58) **Field of Classification Search**
USPC D24/137, 138, 133, 160, 134
CPC E05F 15/46; E05F 15/79
See application file for complete search history.

- D933,820 S * 10/2021 Ota D24/133
- D935,017 S * 11/2021 Kawanishi D24/138
- D940,315 S * 1/2022 Ono D24/138
- D940,317 S * 1/2022 Ono D24/138

* cited by examiner

Primary Examiner — Eliza Z Harvey

(74) *Attorney, Agent, or Firm* — Scully, Scott, Murphy & Presser, P.C.

(57) **CLAIM**

The ornamental design for an endoscope operating unit, as shown and described.

DESCRIPTION

FIG. 1 is a front perspective view of an endoscope operating unit showing my new design;
 FIG. 2 is a rear and left side perspective view thereof;
 FIG. 3 is a rear and left side perspective view thereof;
 FIG. 4 is a front view thereof;
 FIG. 5 is a rear view thereof;
 FIG. 6 is a top thereof;
 FIG. 7 is a bottom view thereof;
 FIG. 8 is a right side view thereof; and,
 FIG. 9 is a left side view thereof.

The appearance of the endoscope operating unit shown between the dot-dash break lines forms no part of the claimed design.

(56) **References Cited**

U.S. PATENT DOCUMENTS

- D882,079 S * 4/2020 Melkent D24/133
- D919,804 S * 5/2021 Cole D24/133

1 Claim, 9 Drawing Sheets

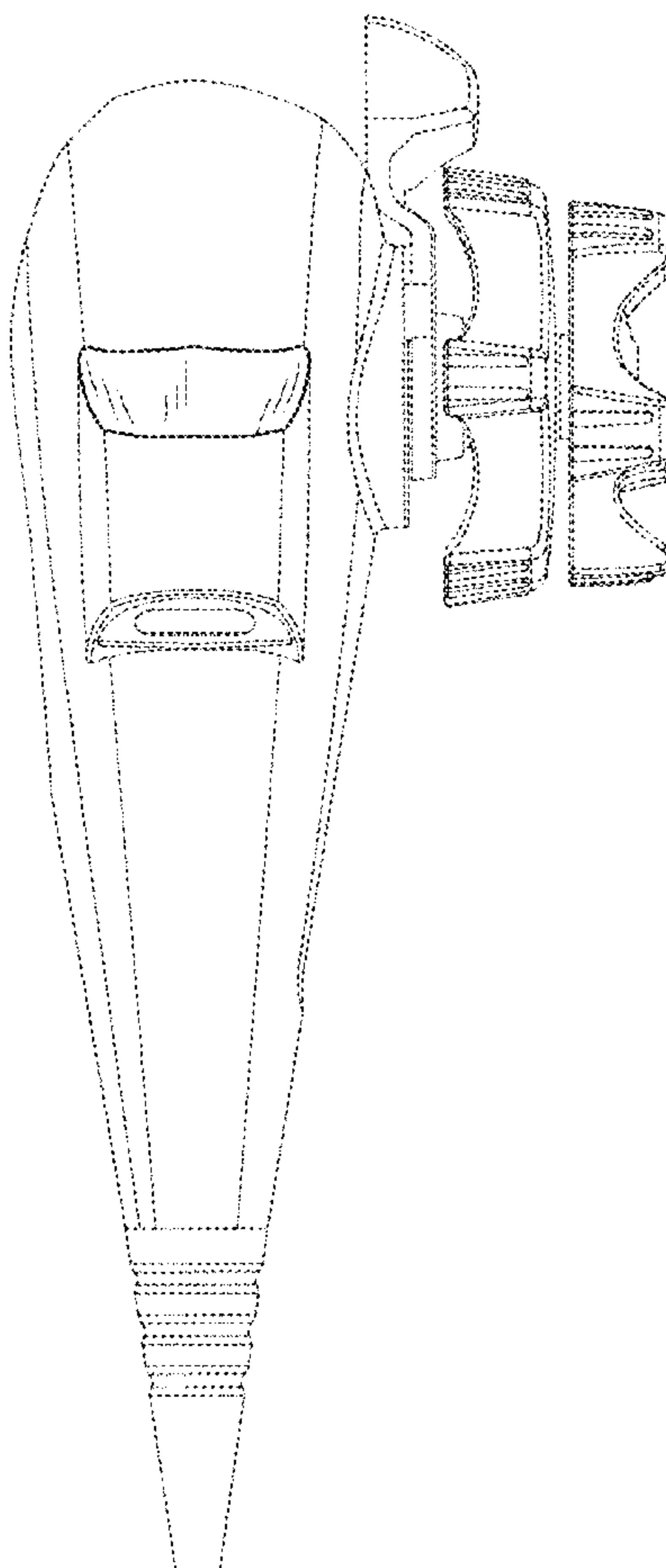


FIG.1

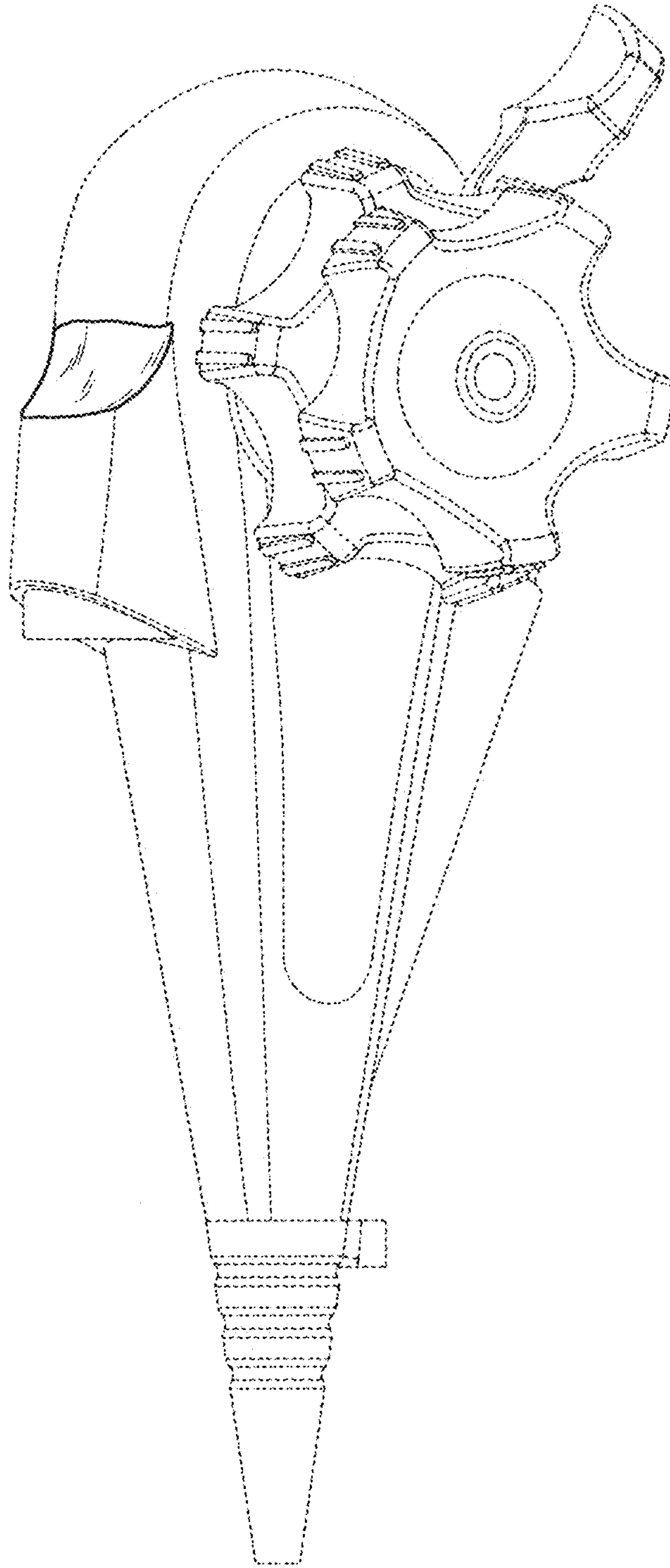


FIG.2

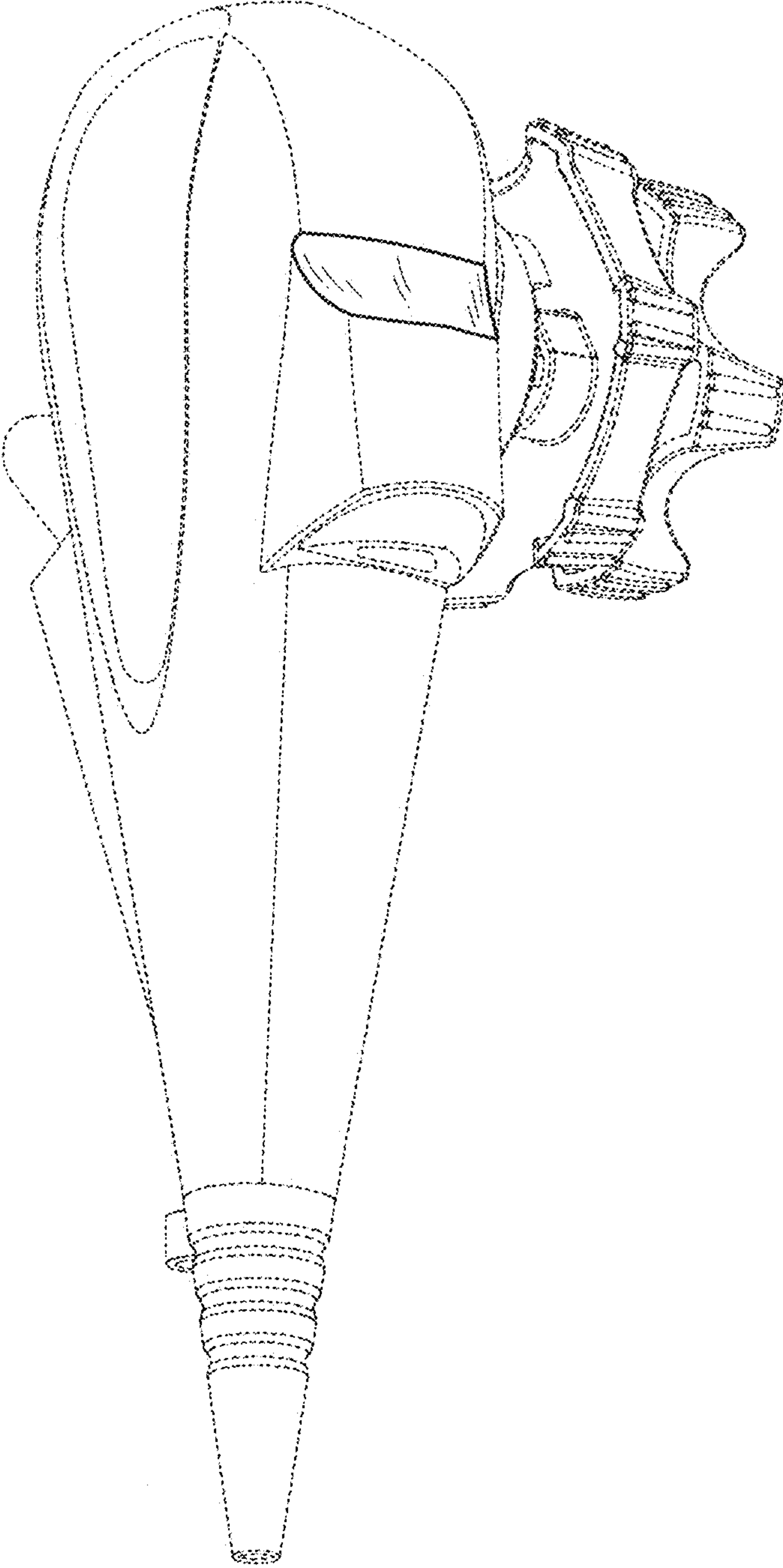


FIG.3

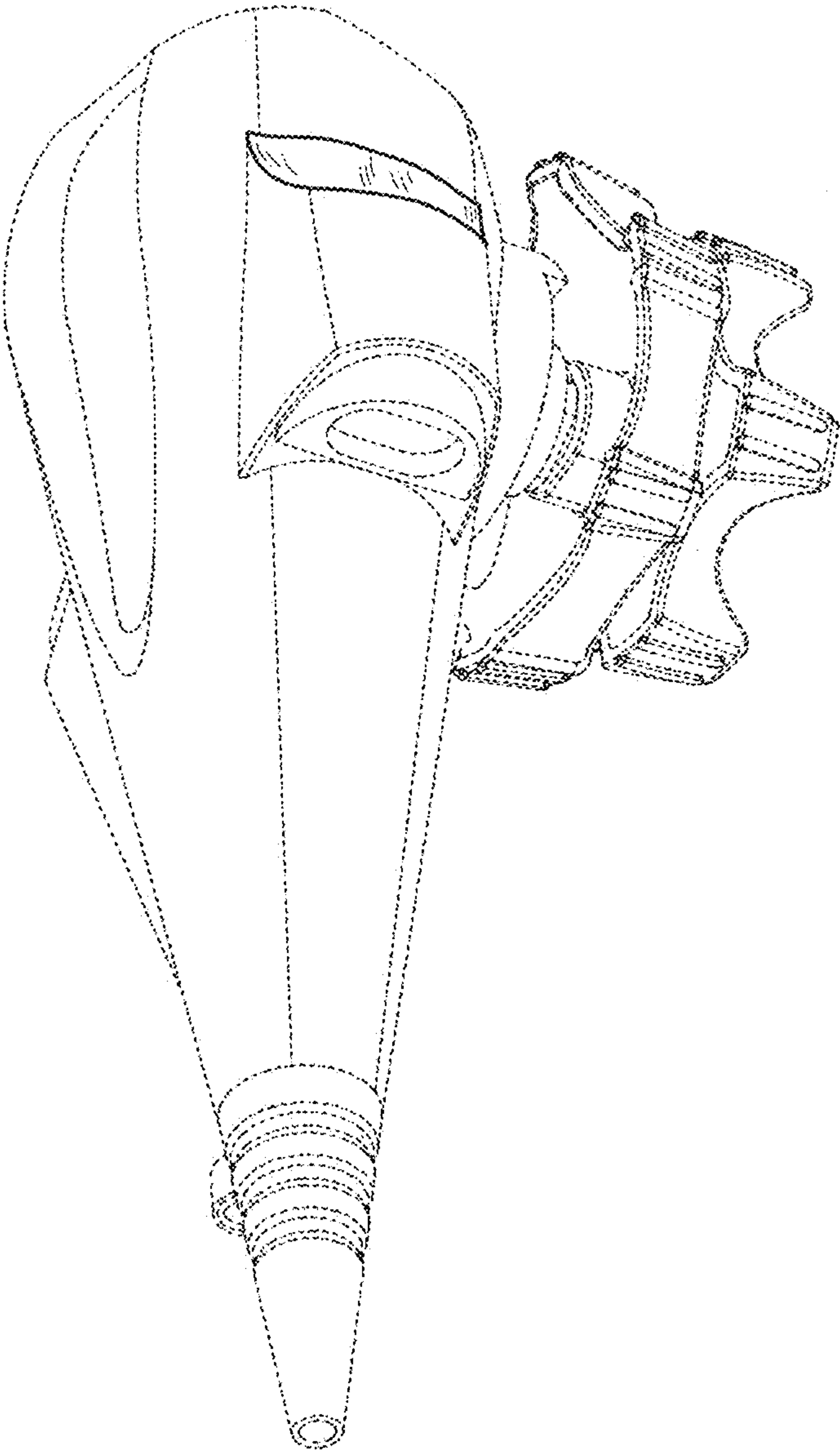


FIG.4

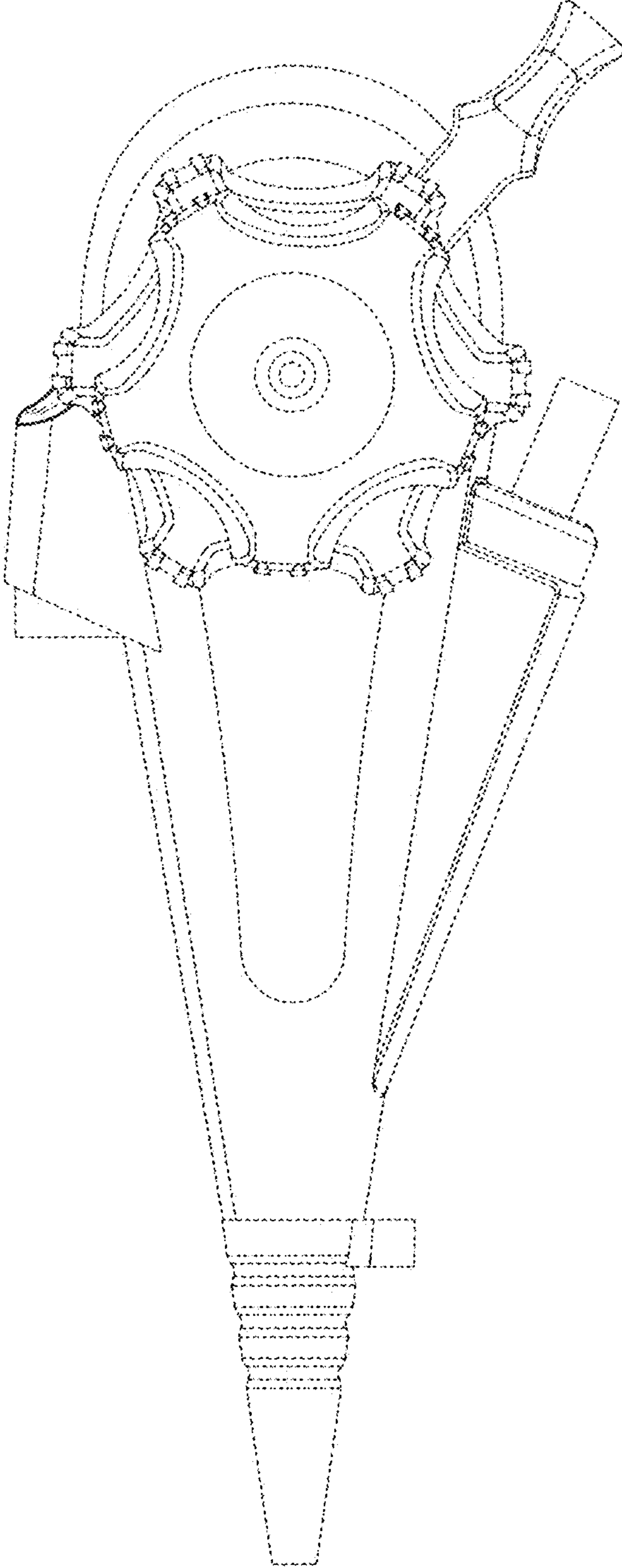


FIG.5

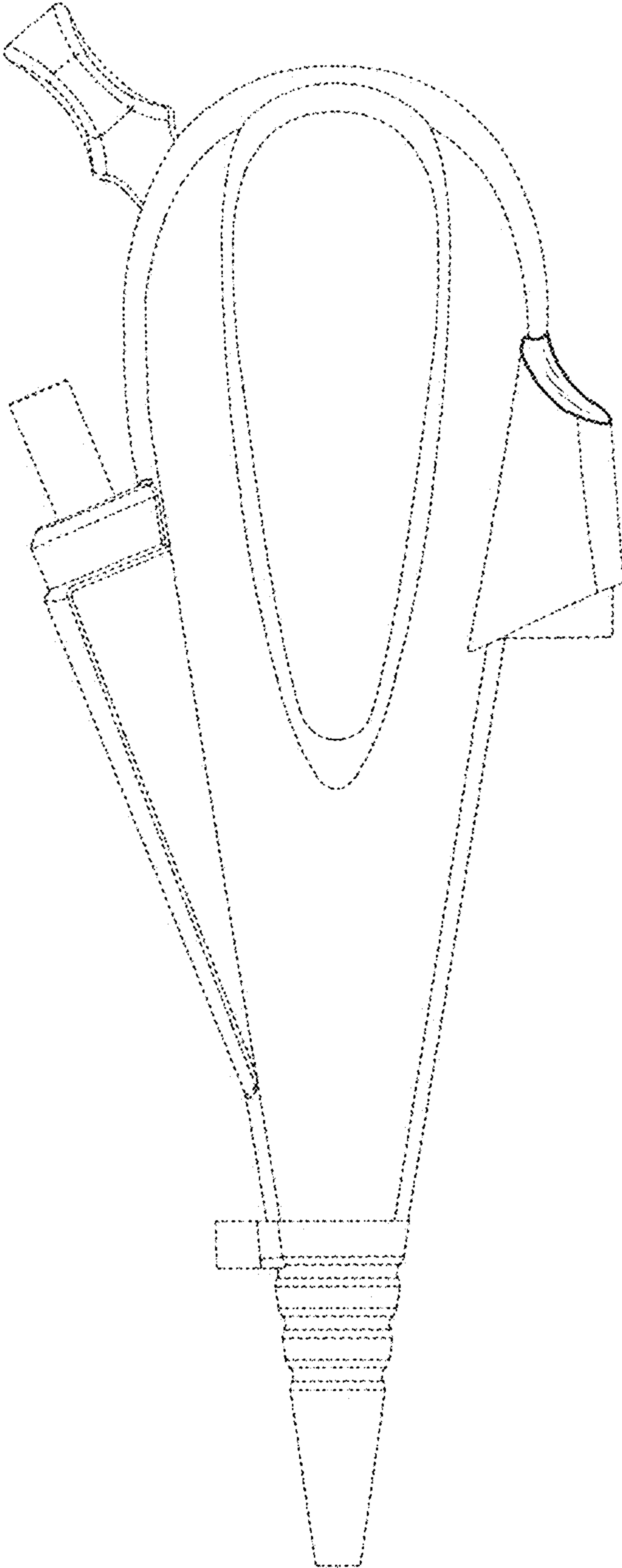


FIG.6

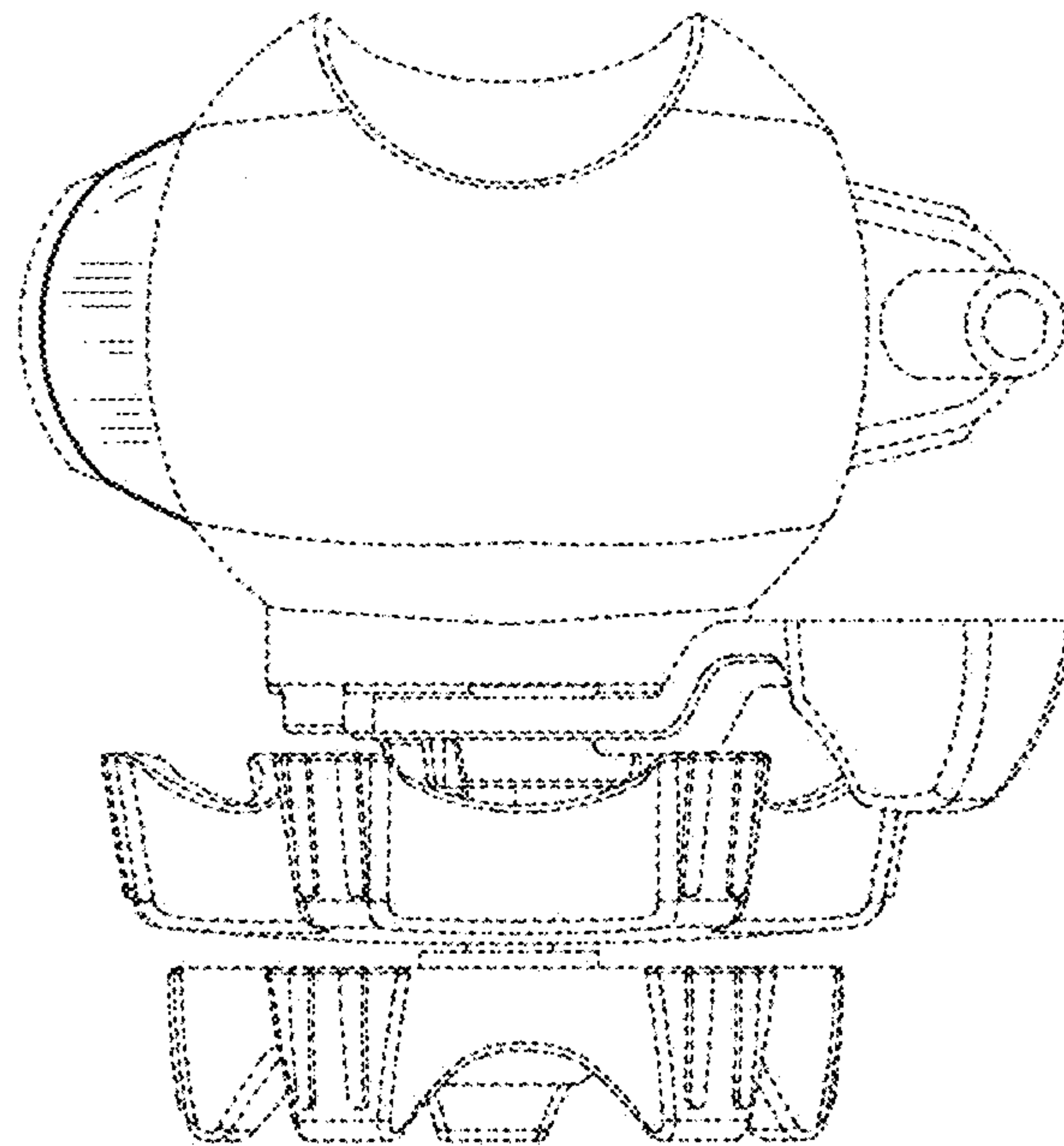


FIG. 7

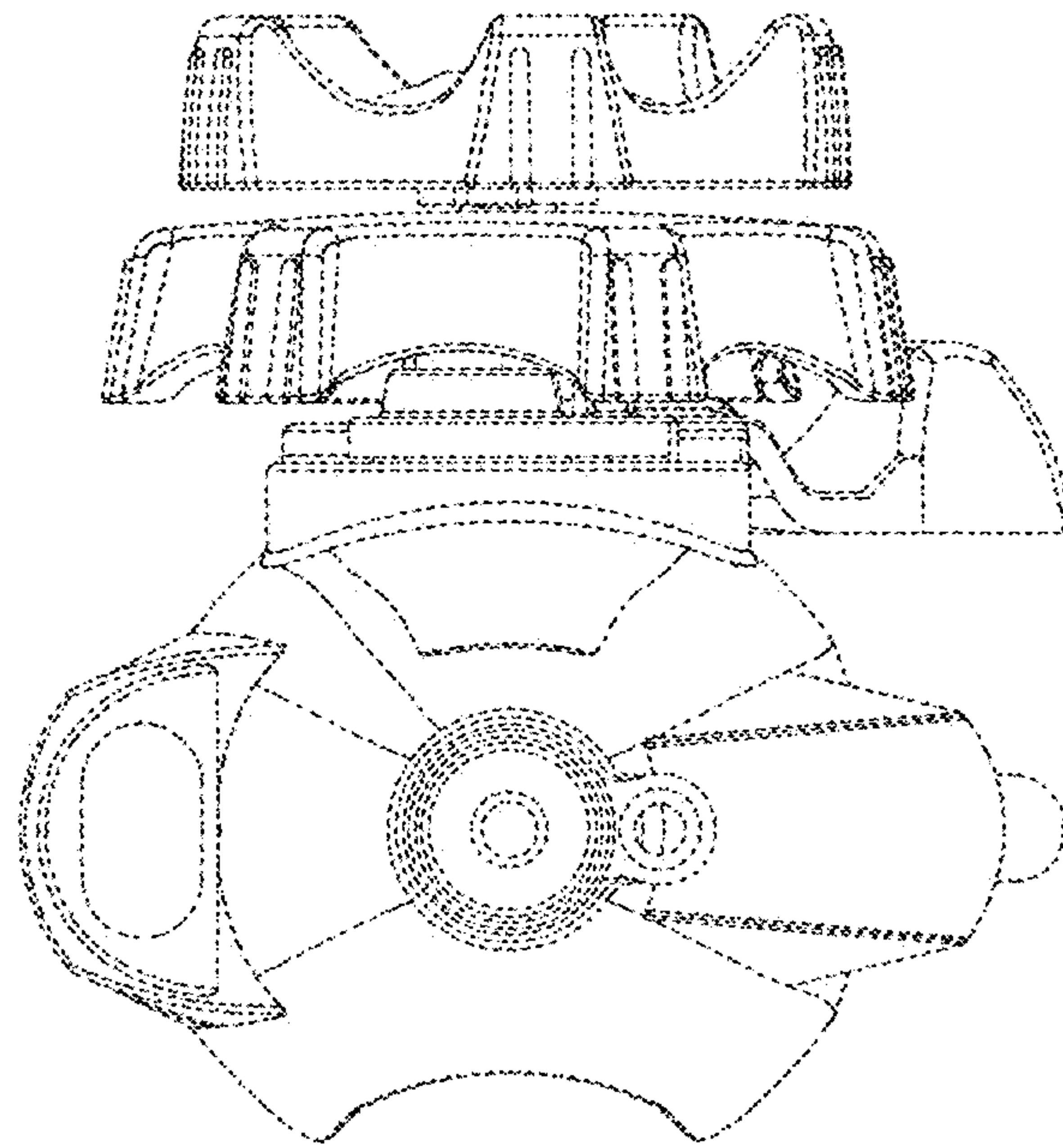


FIG.8

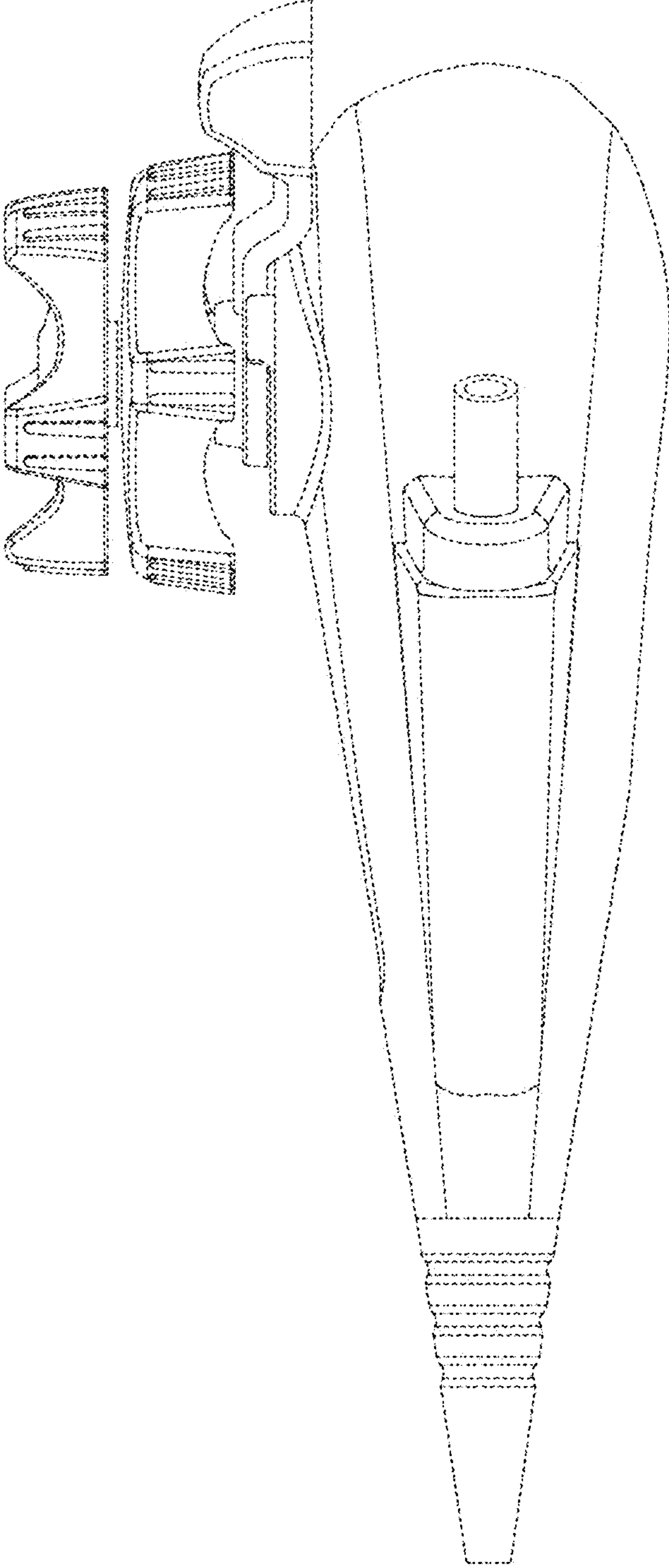


FIG.9

