



US00D956972S

(12) **United States Design Patent**
Costin

(10) **Patent No.:** **US D956,972 S**

(45) **Date of Patent:** **** Jul. 5, 2022**

- (54) **HANDHELD ENDOSCOPE**
- (71) Applicant: **Clear Image Technology, LLC**,
Westlake, OH (US)
- (72) Inventor: **John Costin**, Avon Lake, OH (US)
- (73) Assignee: **Clear Image Technology, LLC**,
Westlake, OH (US)
- (**) Term: **15 Years**
- (21) Appl. No.: **29/694,693**
- (22) Filed: **Jun. 12, 2019**

D921,890 S *	6/2021	Milella, Jr.	D24/133
D921,891 S *	6/2021	Milella, Jr.	D24/133
D921,892 S *	6/2021	Milella, Jr.	D24/133
D934,649 S *	11/2021	Bast	D8/107
D935,030 S *	11/2021	De Klein	D24/186
D941,468 S *	1/2022	Freschi	D24/134
D942,020 S *	1/2022	De Klein	D24/186
2016/0202031 A1 *	7/2016	Rumfitt	F42B 12/64 102/334
2016/0209191 A1 *	7/2016	Adams	F42B 12/625
2019/0183324 A1 *	6/2019	Costin	A61B 1/05

* cited by examiner

Primary Examiner — Eliza Z Bennett-Hattan

(74) *Attorney, Agent, or Firm* — Law Office of Scott C Harris, Inc

Related U.S. Application Data

- (63) Continuation of application No. 16/041,418, filed on Jul. 20, 2018, now abandoned.
- (51) **LOC (13) Cl.** **08-05**
- (52) **U.S. Cl.**
USPC **D24/138**
- (58) **Field of Classification Search**
USPC D24/137, 138, 133, 160, 134
CPC E05F 15/46; E05F 15/79
See application file for complete search history.

(57) **CLAIM**

I claim the ornamental design for a handheld endoscope, as shown and described.

DESCRIPTION

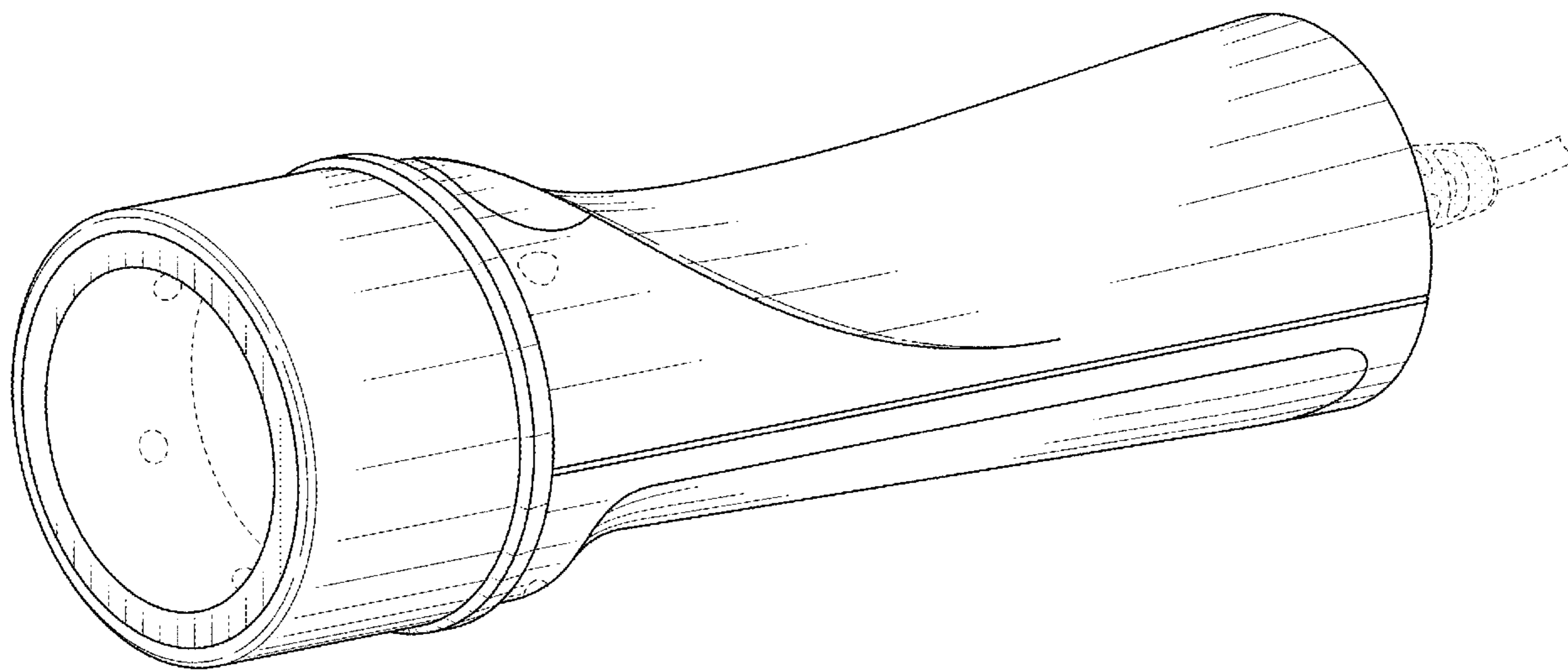
FIG. 1 is an isometric perspective view of the handheld endoscope;
 FIG. 2 is a top view of the handheld endoscope;
 FIG. 3 is a bottom view of the handheld endoscope;
 FIG. 4 is a right side view of the handheld endoscope;
 FIG. 5 is a left side view of the handheld endoscope;
 FIG. 6 is a first side view of the handheld endoscope; and,
 FIG. 7 is a second side view of the handheld endoscope.
 The broken lines shown are included for the purpose of illustrating portions of the handheld endoscope invention that form no part of the claim.

(56) **References Cited**

U.S. PATENT DOCUMENTS

D422,359 S *	4/2000	Fitch	D24/133
D727,496 S *	4/2015	Berci	D24/137
D754,336 S *	4/2016	Renner	D24/137
D802,128 S *	11/2017	Im	D24/137

1 Claim, 4 Drawing Sheets



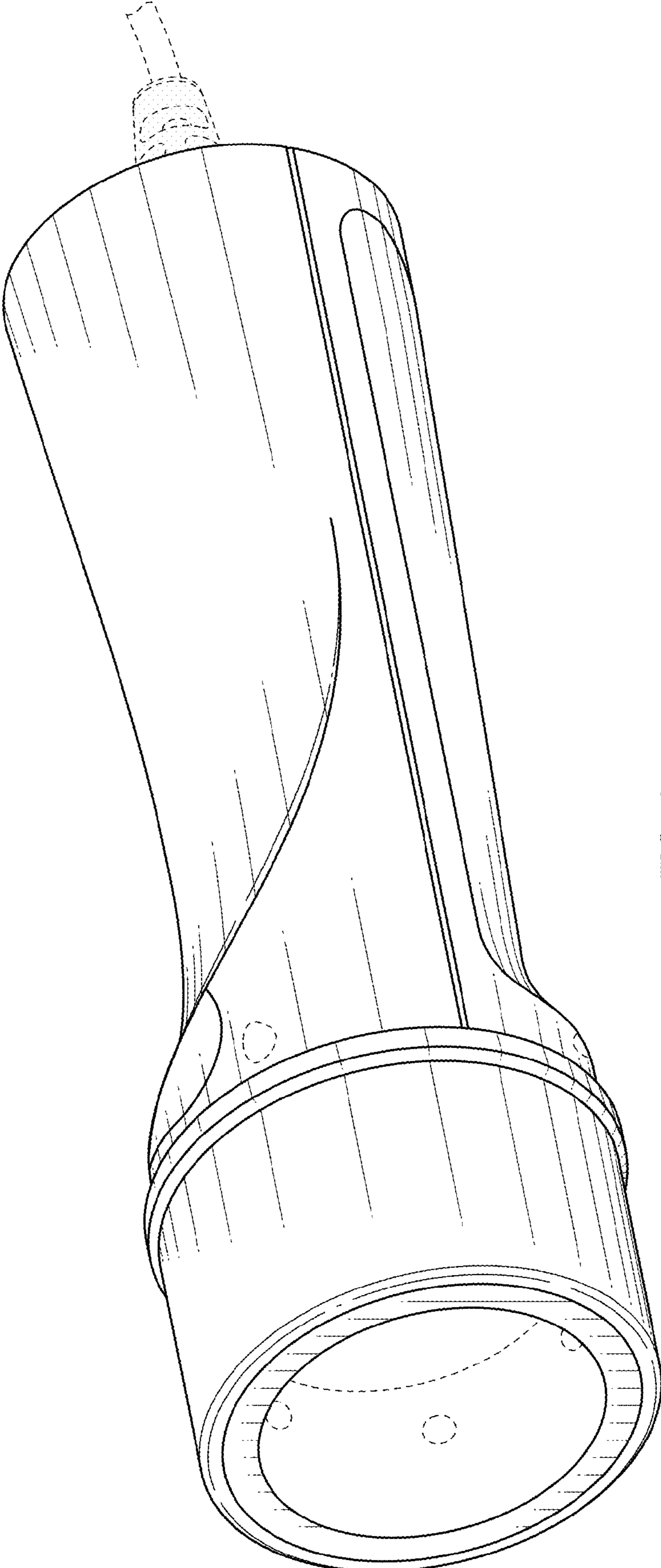


FIG. 1

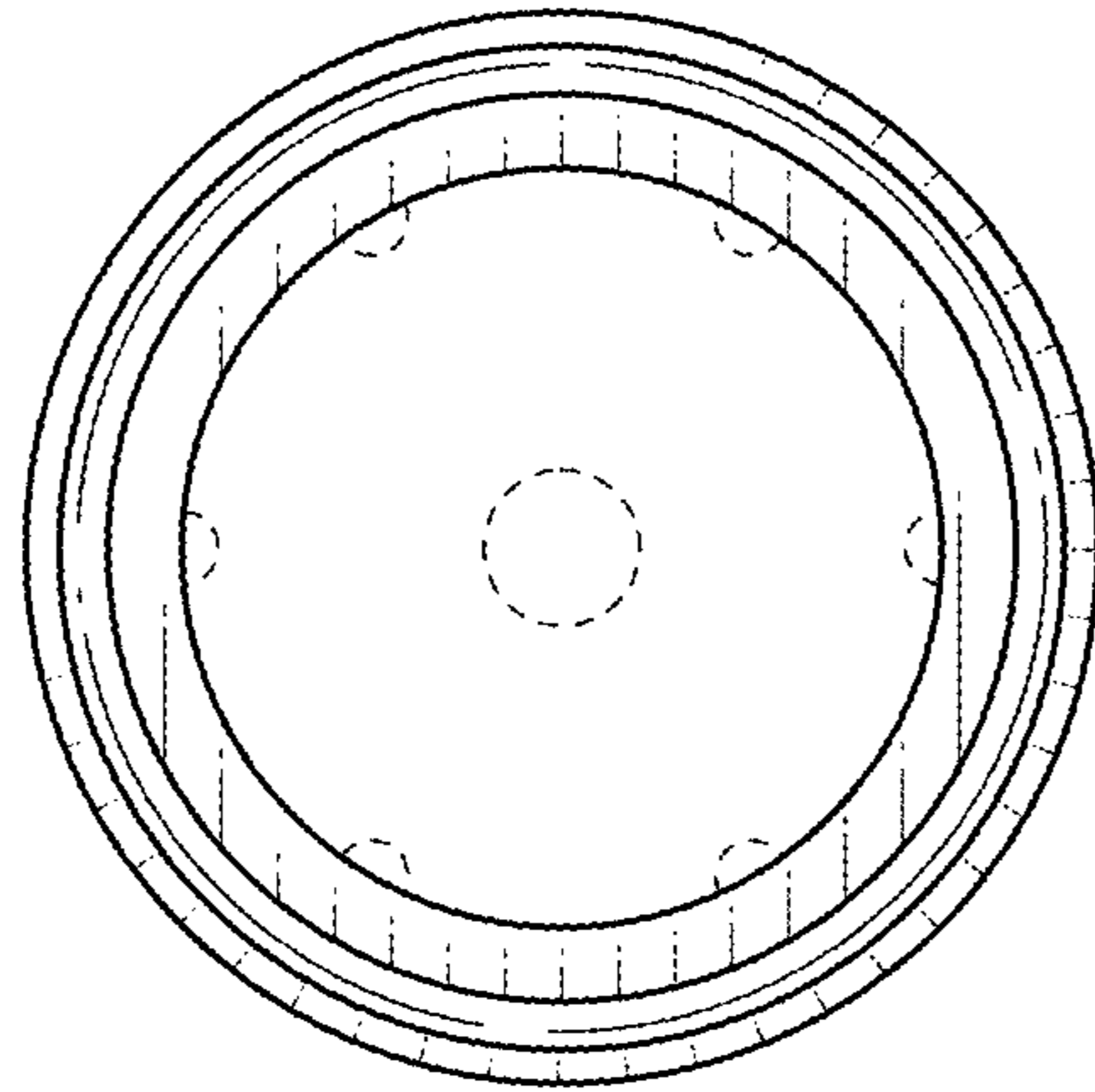


FIG. 2

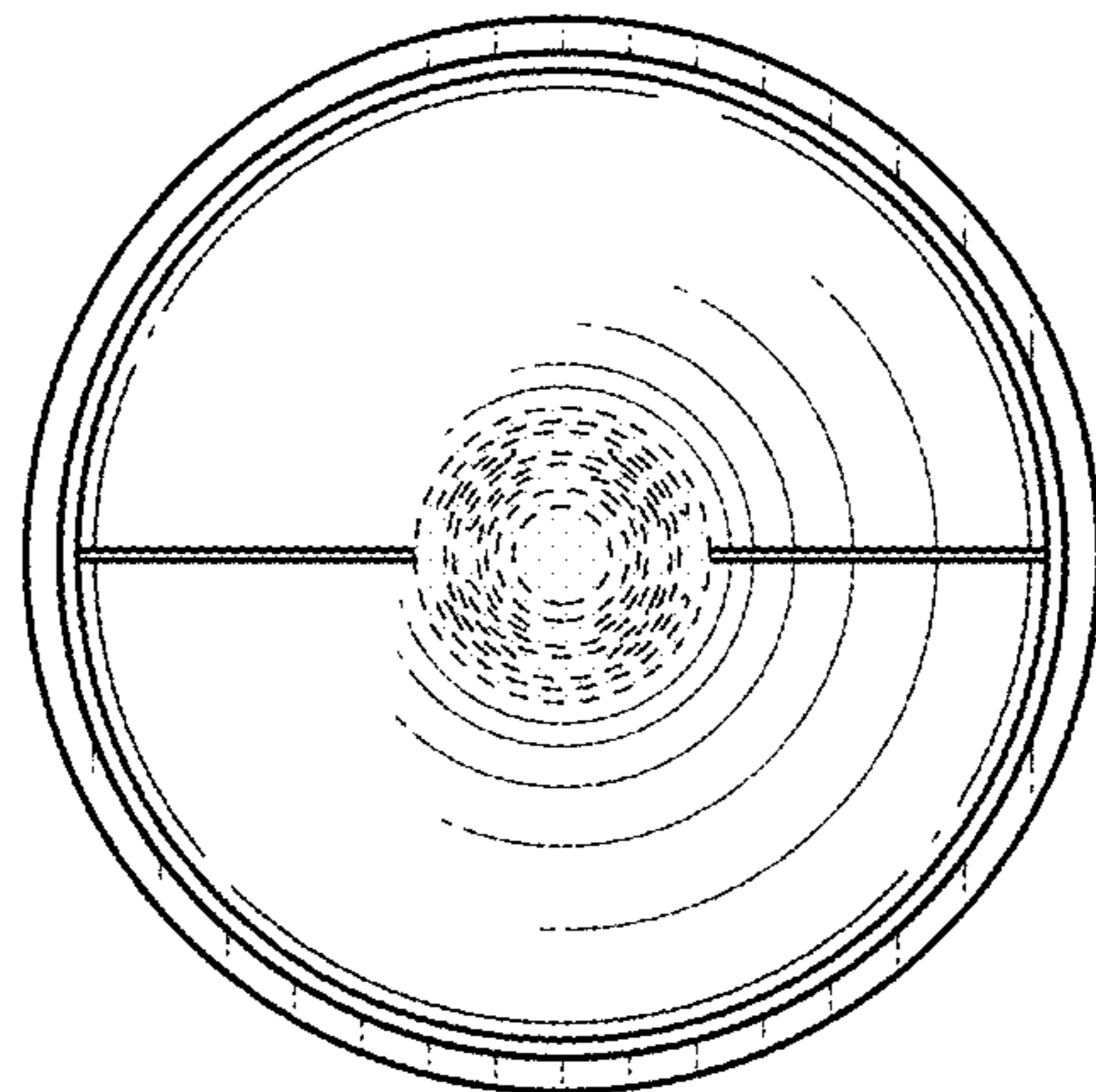


FIG. 3

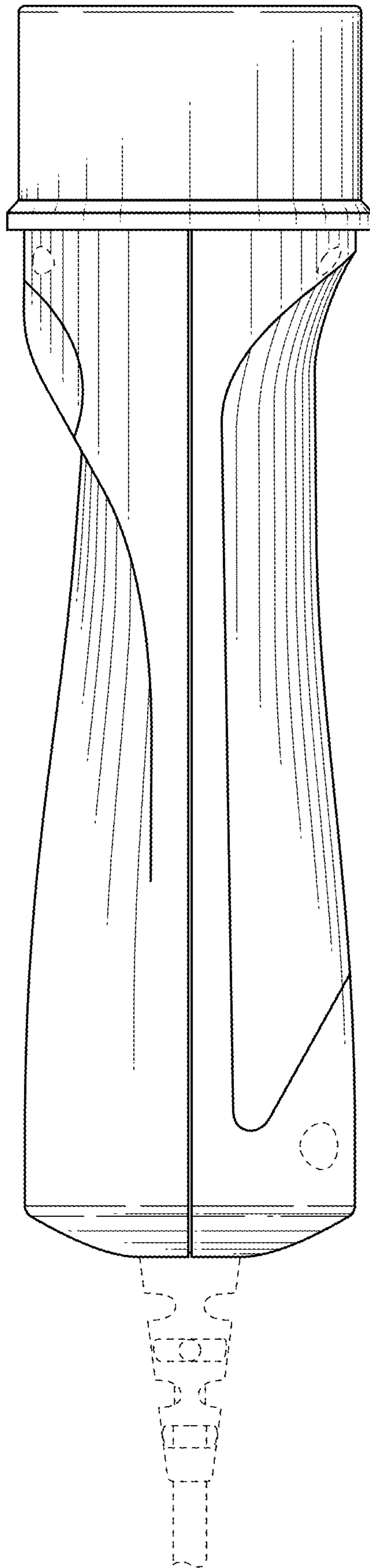


FIG. 4

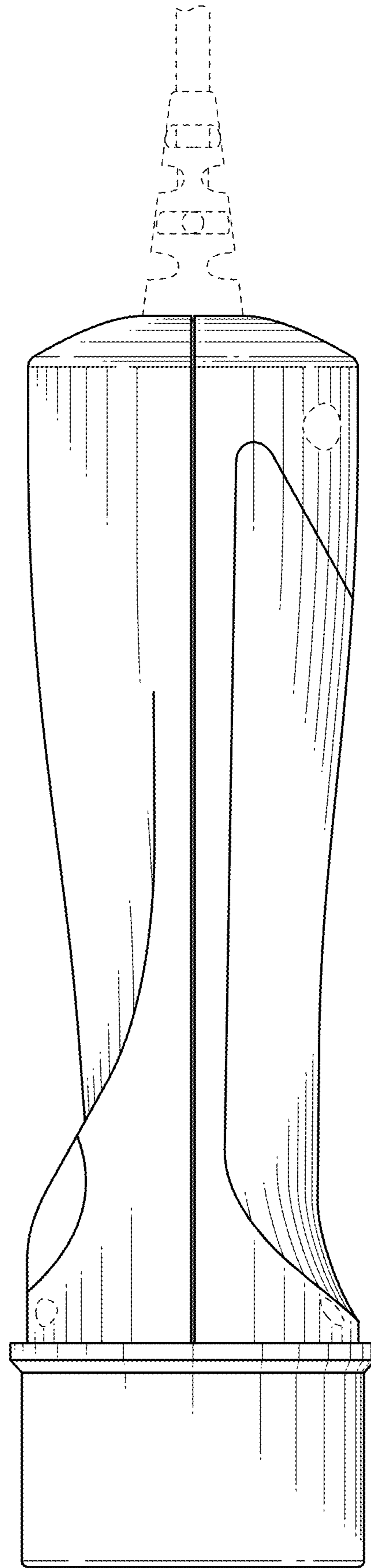


FIG. 5

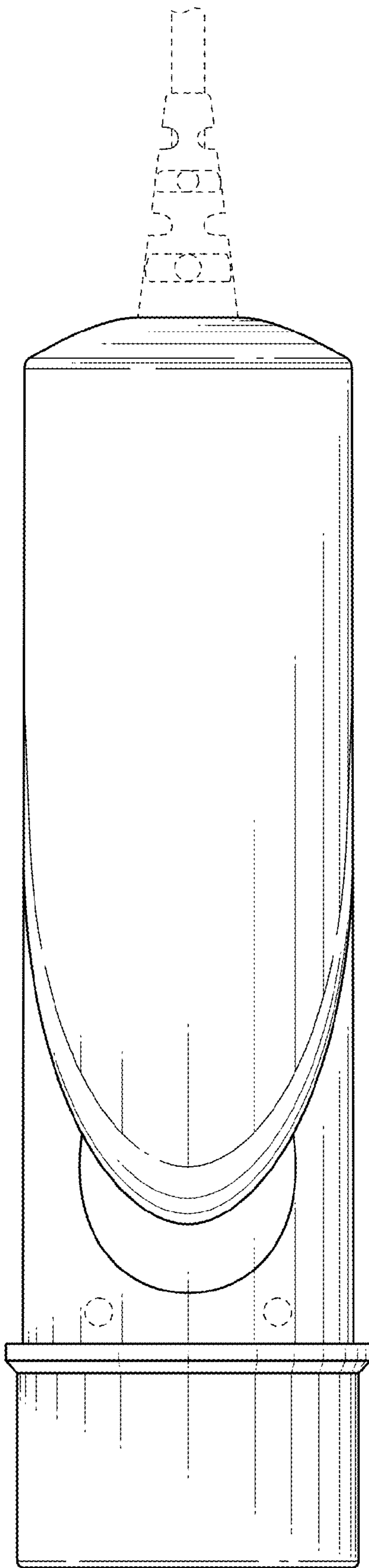


FIG. 6

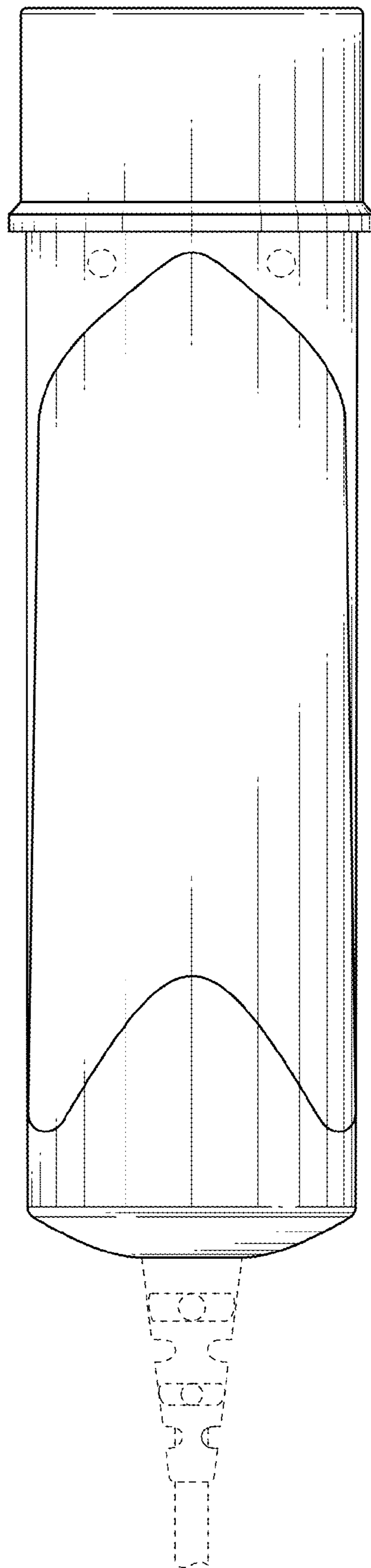


FIG. 7