



US00D956966S

(12) **United States Design Patent** (10) **Patent No.:** **US D956,966 S**  
**Suarez del Real Pena et al.** (45) **Date of Patent:** **\*\* Jul. 5, 2022**

(54) **INJECTION SITE WITH FRANGIBLE CONNECTOR**

D454,637 S \* 3/2002 Nestenborg ..... D24/112  
D517,209 S \* 3/2006 Burton ..... D24/129  
D604,637 S \* 11/2009 Ueda ..... D24/118

(Continued)

(71) Applicant: **Fresenius Medical Care Holdings, Inc.**, Waltham, MA (US)

FOREIGN PATENT DOCUMENTS

(72) Inventors: **Diego Suarez del Real Pena**, Misson, TX (US); **Jorge Alberto Perez Robles**, Mission, TX (US); **Irving Uziel Hernandez Gomez**, Hidalgo, TX (US)

EM 008200844-0002 \* 10/2020  
EM 008201271-0001 \* 10/2020

(Continued)

(73) Assignee: **Fresenius Medical Care Holdings, Inc.**, Waltham, MA (US)

OTHER PUBLICATIONS

(\*\*) Term: **15 Years**

Metrix—66045—Eva 2-port Bag, Stoma Bags. com, [Post date Aug. 15, 2017], [Site visited Oct. 4, 2021], Seen at URL: <https://www.stomabags.com/metrix-66045-eva-2-port-bag> (Year: 2017).\*

(21) Appl. No.: **29/731,767**

*Primary Examiner* — Natasha Vujcic  
*Assistant Examiner* — Gilbert B Ford

(22) Filed: **Apr. 17, 2020**

(51) **LOC (13) Cl.** ..... **24-02**

(52) **U.S. Cl.**  
USPC ..... **D24/129**

(58) **Field of Classification Search**  
USPC ..... D24/112–114, 118, 127–130, 133, 186, D24/108

CPC .... A61J 1/1462; A61J 1/1475; A61J 2205/20; A61J 1/2065; B29C 65/02; A61M 39/10; A61M 39/162

See application file for complete search history.

(74) *Attorney, Agent, or Firm* — Leydig, Voit & Mayer, Ltd.

(57) **CLAIM**

We claim, the ornamental design for an injection site with frangible connector, as shown and described.

**DESCRIPTION**

FIG. 1 is a bottom, front, right side perspective view of an injection site with frangible connector showing our new design;

FIG. 2 is a front elevational view thereof;

FIG. 3 is a rear elevational view thereof;

FIG. 4 is a right side elevational view thereof;

FIG. 5 is a left side elevational view thereof;

FIG. 6 is a top plan view thereof; and,

FIG. 7 is a bottom plan view thereof.

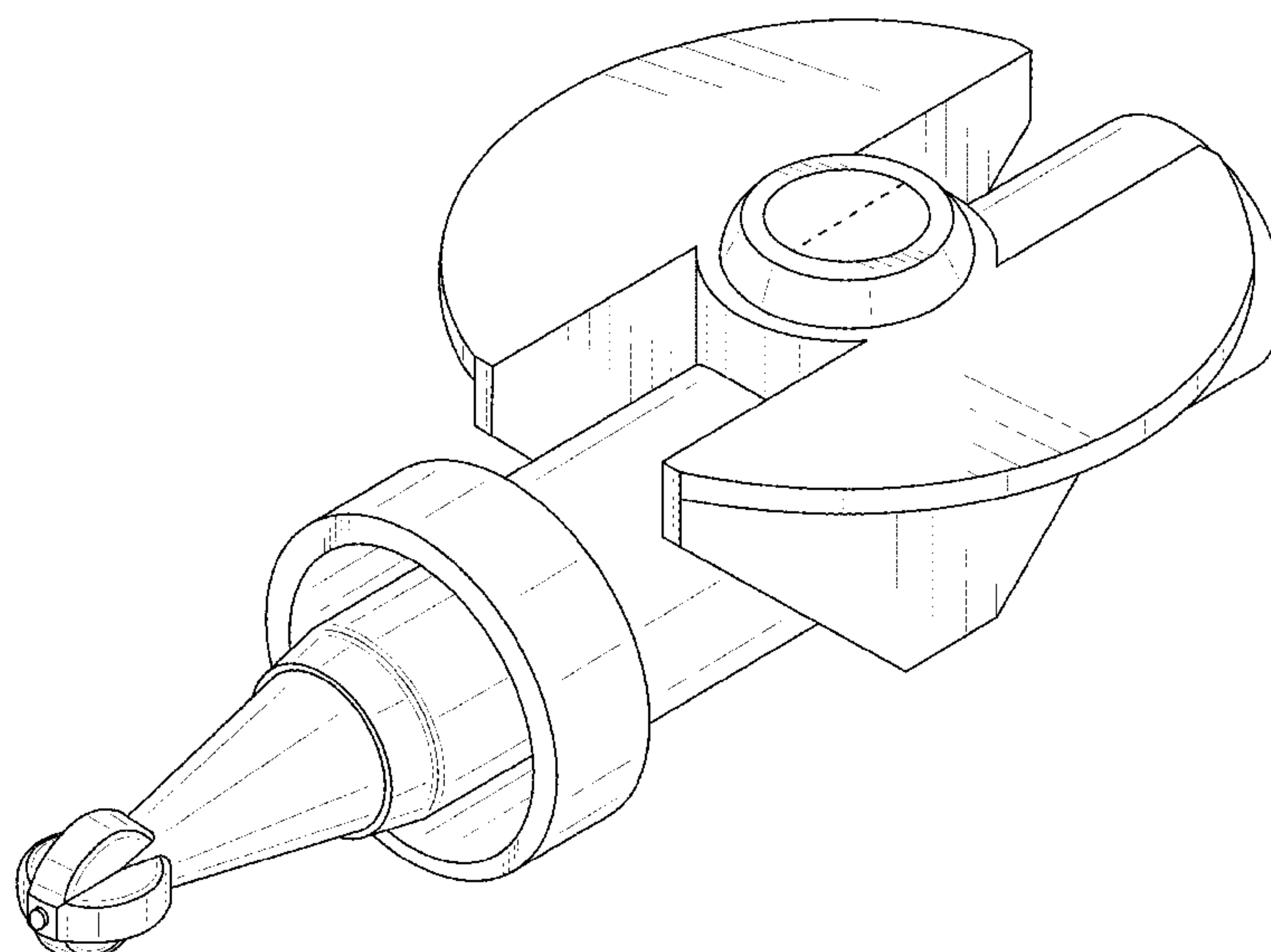
The broken lines shown in the drawings illustrate portions of the injection site with frangible connector which form no part of the claimed design.

**1 Claim, 7 Drawing Sheets**

(56) **References Cited**

U.S. PATENT DOCUMENTS

4,412,573 A \* 11/1983 Zdeb ..... B29C 66/5344  
604/415  
4,436,519 A 3/1984 O'Neill  
5,221,271 A 6/1993 Nicholson et al.  
5,342,316 A 8/1994 Wallace  
5,354,275 A 10/1994 Behnke et al.  
5,417,673 A 5/1995 Gordon  
D388,168 S \* 12/1997 Barney ..... D24/118  
D397,789 S \* 9/1998 Barney ..... D24/118  
D402,366 S \* 12/1998 Barney ..... D24/118



(56)

References Cited

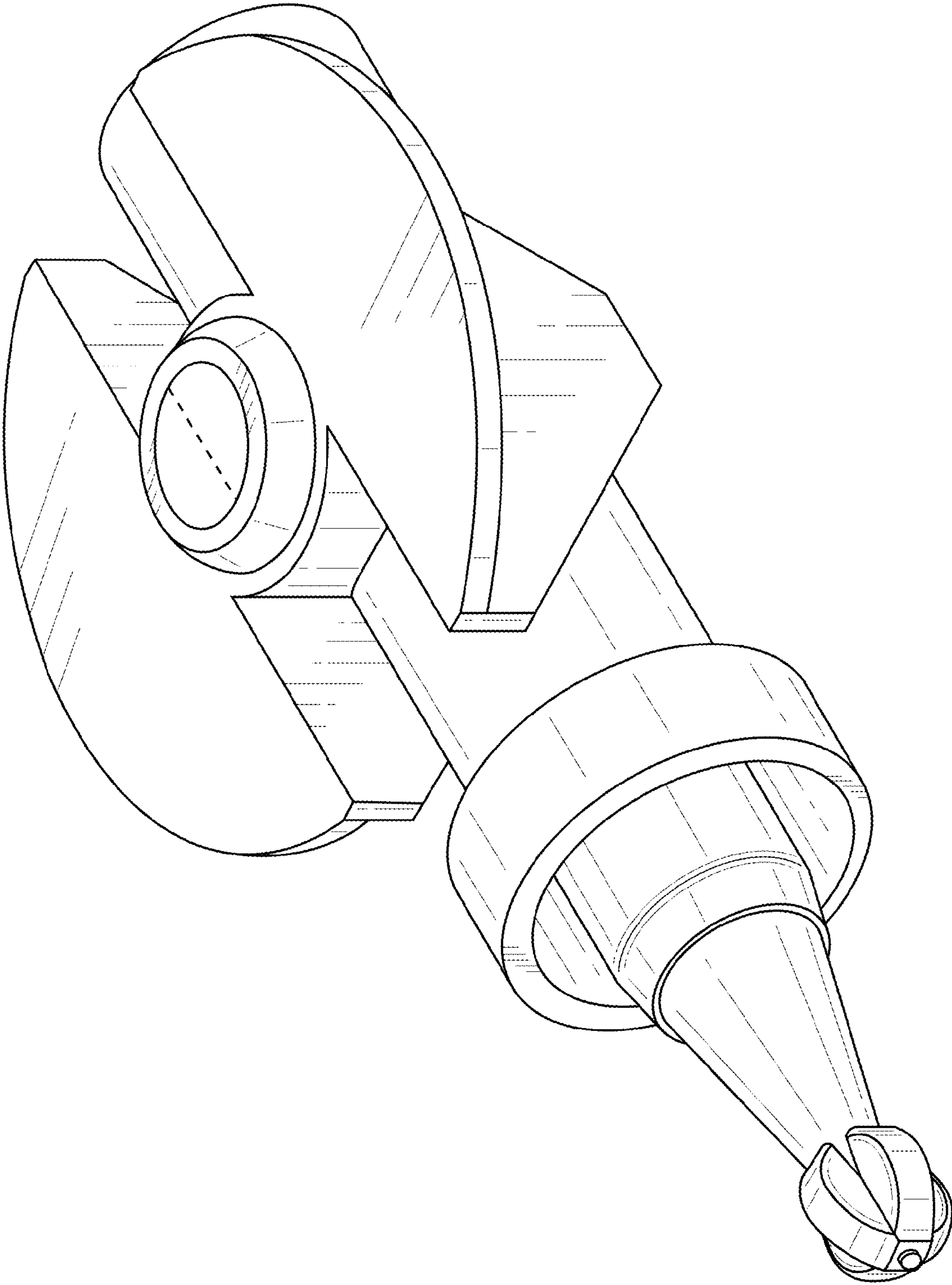
U.S. PATENT DOCUMENTS

D622,375 S \* 8/2010 Tsuruoka ..... D24/127  
D699,343 S \* 2/2014 Clements ..... D24/118  
9,079,005 B2 7/2015 Chelak et al.  
10,368,789 B2 8/2019 Chelak et al.  
D877,886 S \* 3/2020 Register ..... D24/110.1  
D878,570 S \* 3/2020 Suarez del Real Pena . D24/118  
D884,886 S \* 5/2020 Kangastupa ..... D24/129  
D900,311 S \* 10/2020 Henaut ..... D24/118  
D903,860 S \* 12/2020 Tashiro ..... D24/118  
D927,683 S \* 8/2021 Blin ..... D24/118  
2005/0261637 A1 11/2005 Miller  
2015/0112271 A1 4/2015 Chelak et al.  
2018/0028403 A1\* 2/2018 Fangrow ..... A61J 1/2096  
2018/0177444 A1 6/2018 Chelak et al.  
2020/0230023 A1\* 7/2020 Pallares ..... A61J 1/1475  
2021/0138221 A1\* 5/2021 Harding ..... A61M 39/162  
2021/0212894 A1\* 7/2021 del Real Pena ..... A61J 1/10

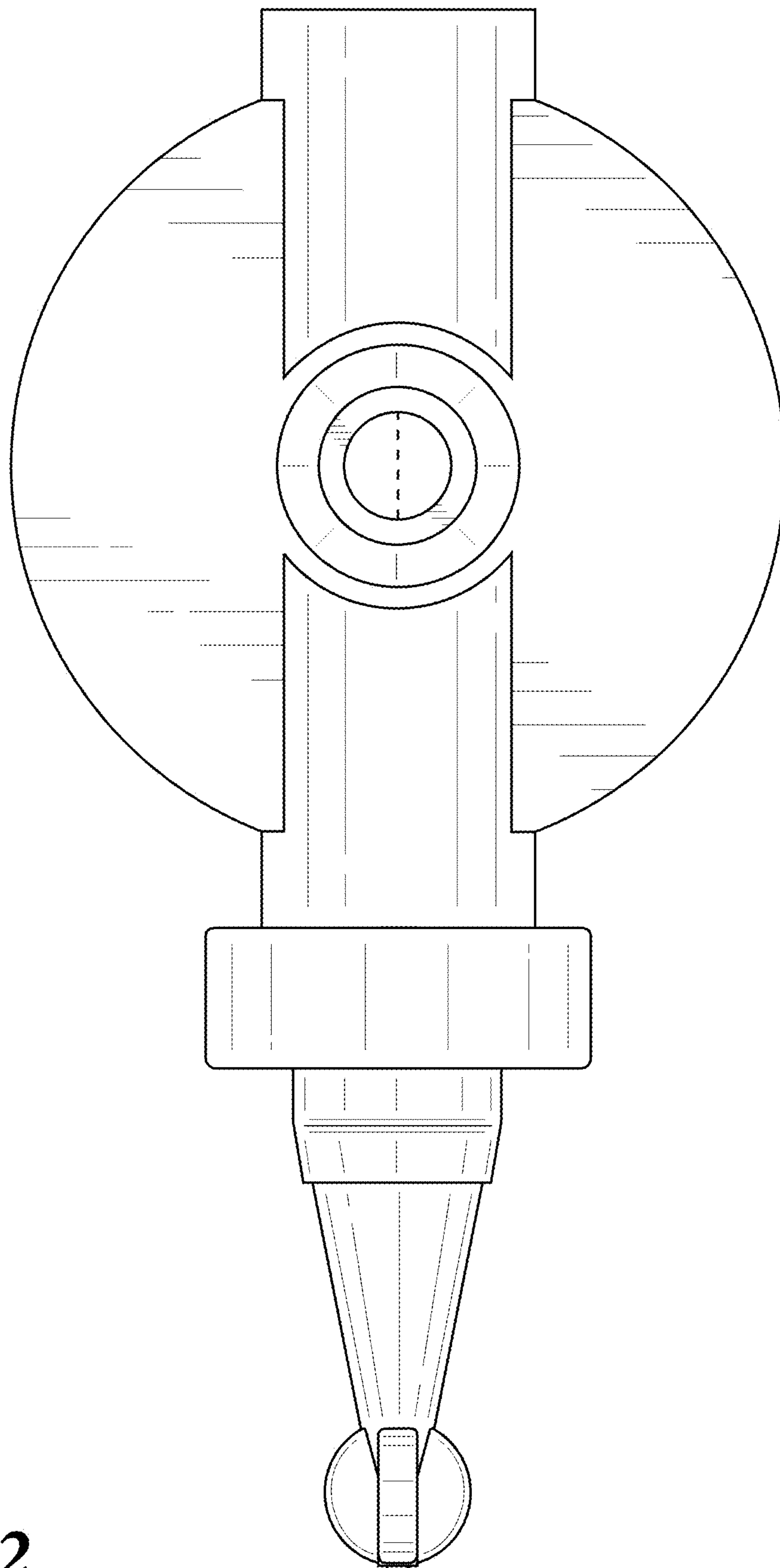
FOREIGN PATENT DOCUMENTS

EM 008201271-0002 \* 10/2020  
JP 3224170 U 11/2019  
WO WO 2016/206804 A1 12/2016

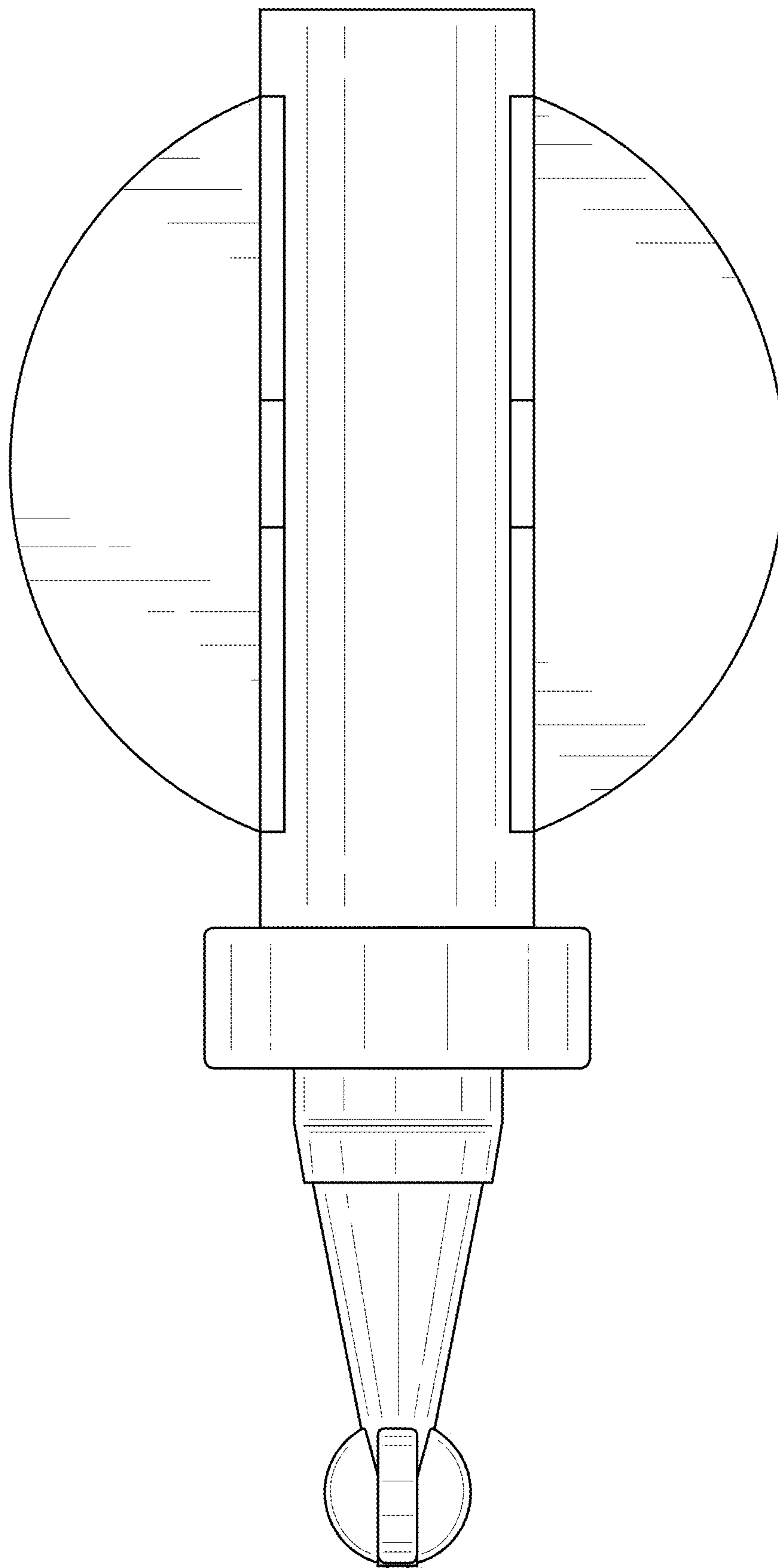
\* cited by examiner



**Fig. 1**

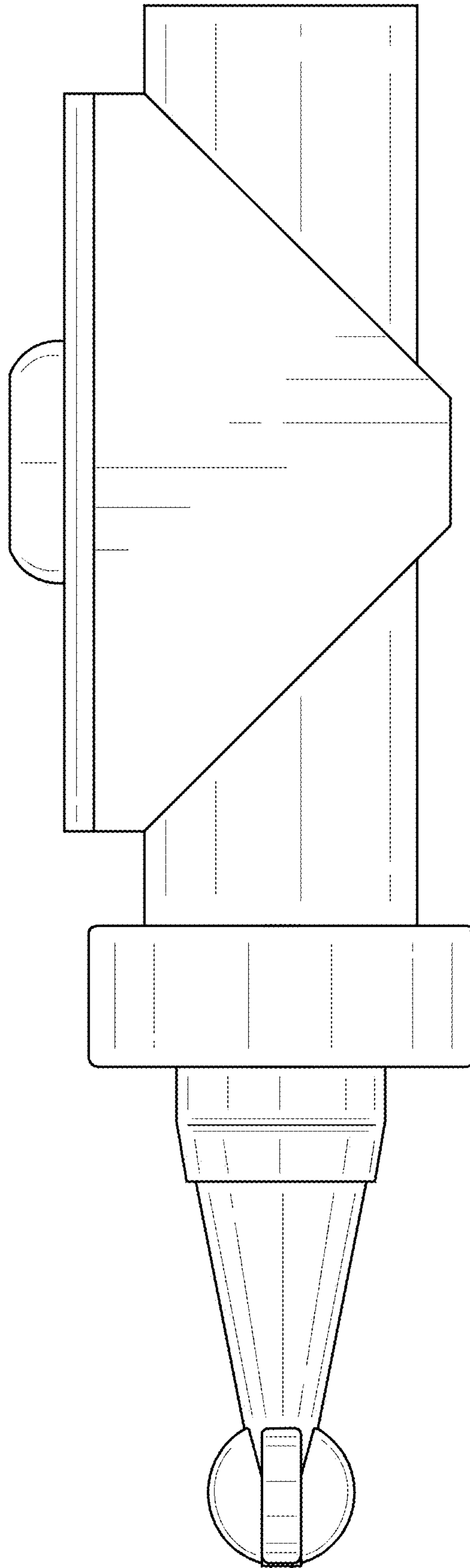


***Fig. 2***

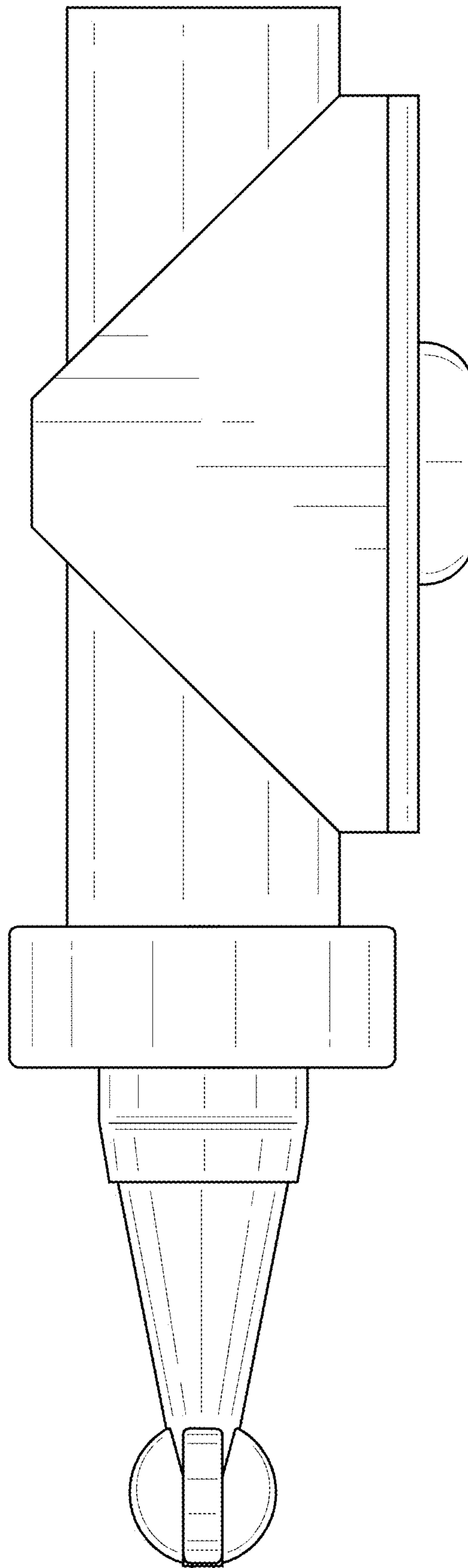


*Fig. 3*

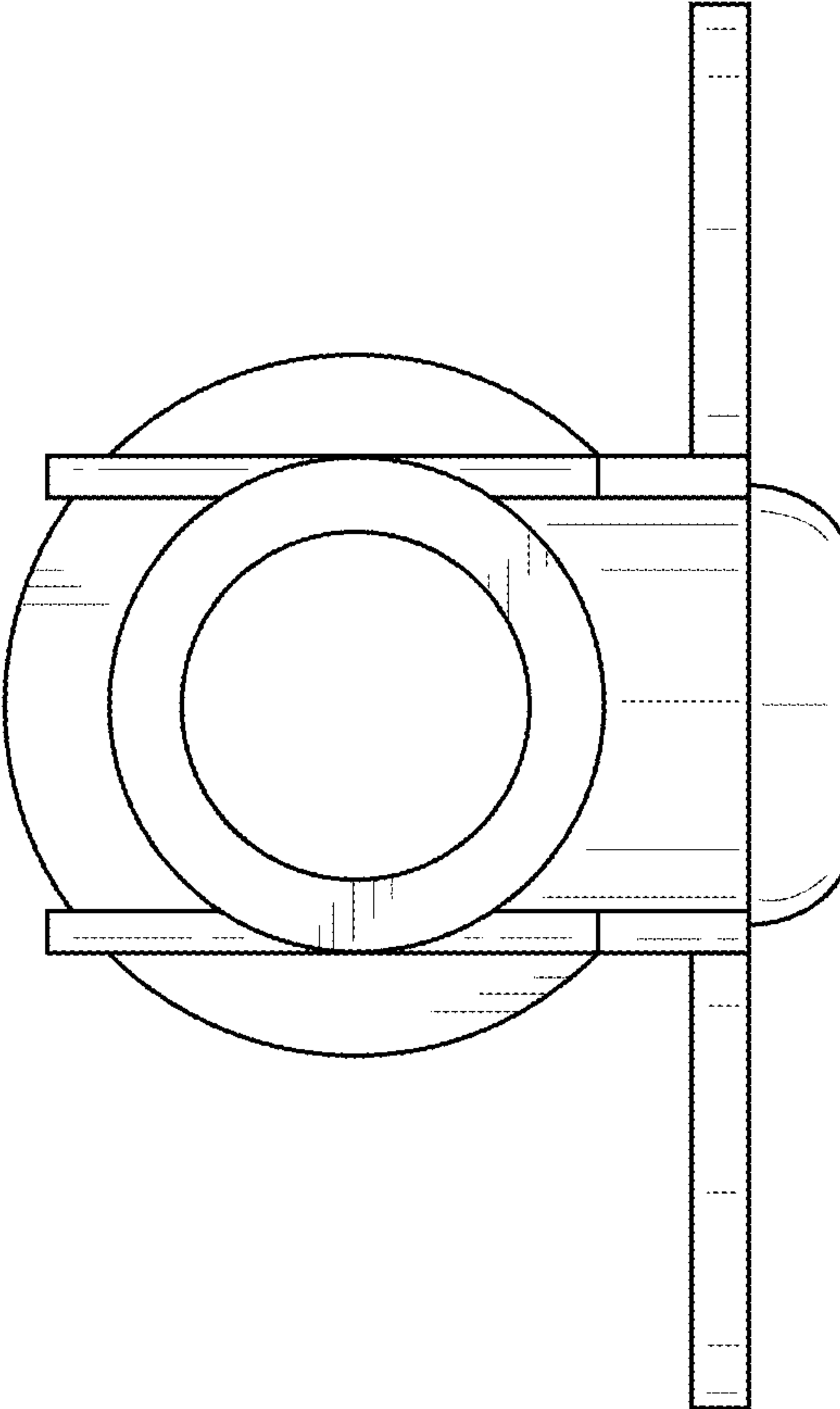




***Fig. 4***

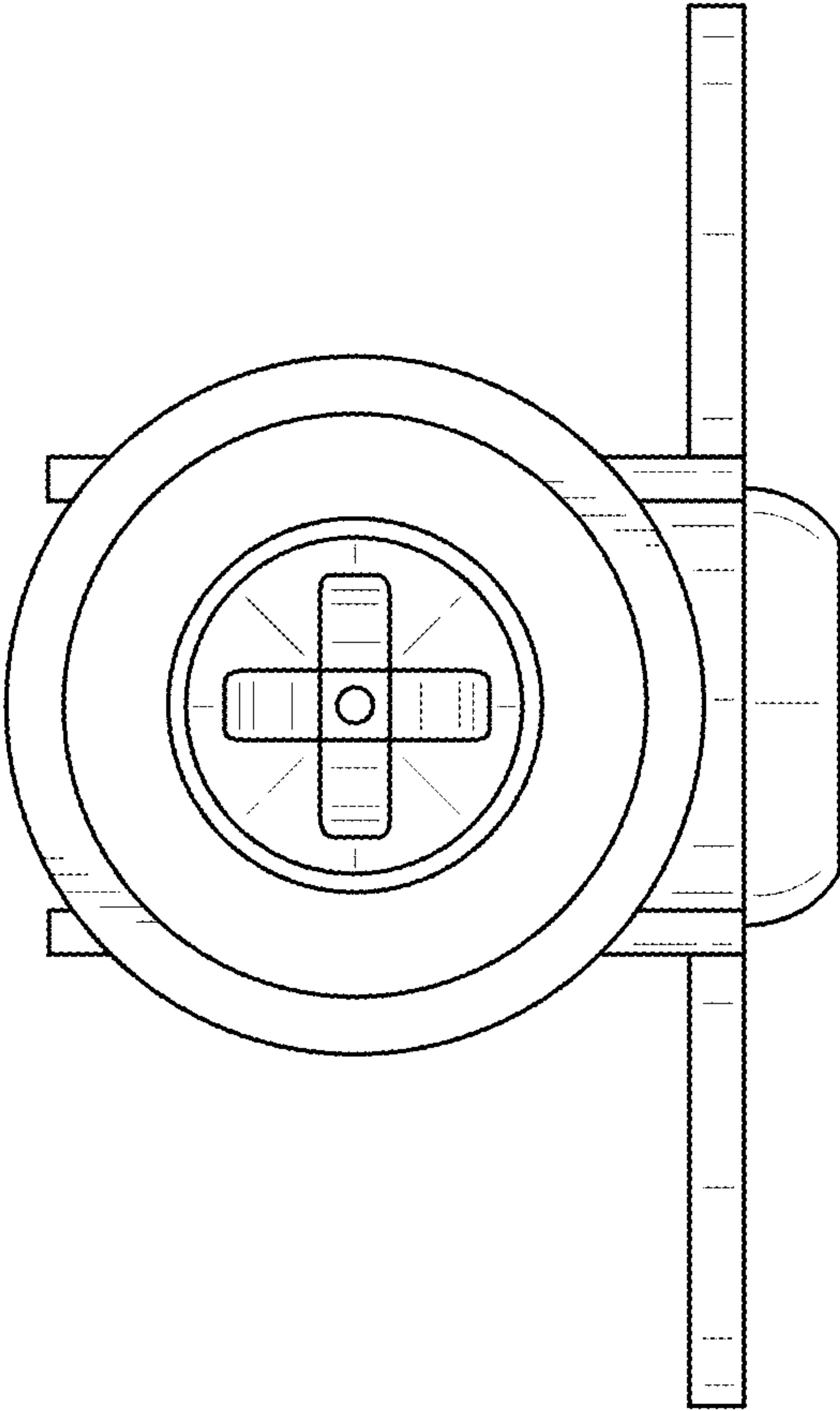


*Fig. 5*



*Fig. 6*





*Fig. 7*