



US00D956959S

(12) **United States Design Patent** (10) **Patent No.:** **US D956,959 S**  
**Sidhu** (45) **Date of Patent:** **\*\* Jul. 5, 2022**

(54) **SUCTION TOOL**  
(71) Applicant: **SafeVac, LLC**, Las Vegas, NV (US)  
(72) Inventor: **Jessy Sidhu**, Las Vegas, NV (US)  
(73) Assignee: **SafeVac, LLC**, Las Vegas, NV (US)  
(\*\*) Term: **15 Years**

D642,330 S \* 7/2011 Turner ..... D27/101  
D656,545 S \* 3/2012 Hung ..... D19/117  
D663,831 S \* 7/2012 Sidhu ..... D24/112  
D683,448 S \* 5/2013 Sidhu ..... D24/112  
D683,449 S \* 5/2013 Sidhu ..... D24/112  
D685,087 S \* 6/2013 Voic ..... D24/133  
D797,281 S \* 9/2017 Ohashi ..... D24/130  
D811,587 S \* 2/2018 Mitchell ..... D24/112  
D819,804 S \* 6/2018 Knight ..... D24/113  
D831,208 S \* 10/2018 Benisty ..... D24/112  
2013/0211330 A1 \* 8/2013 Pedersen ..... A61M 5/5086  
604/111

(21) Appl. No.: **29/767,738**

(22) Filed: **Jan. 25, 2021**

**Related U.S. Application Data**

(63) Continuation of application No. 29/639,645, filed on Mar. 7, 2018, now Pat. No. Des. 908,864.

(51) **LOC (13) Cl.** ..... **24-02**

(52) **U.S. Cl.**  
USPC ..... **D24/112**

(58) **Field of Classification Search**  
USPC ..... D24/112-114, 108, 130, 127, 133, 186;  
606/181, 185; 604/264, 523-528, 272,  
604/164.01-164.11, 187, 93.01; 600/101,  
600/139, 143; 128/200.24, 207.14,  
128/207.15

CPC .. A61M 25/065; A61M 5/42; A61M 25/0612;  
A61M 25/00; A61M 39/00; A61M 27/00;  
A61M 25/0043; A61M 25/0067; A61M  
25/0097; A61F 2/958

See application file for complete search history.

(56) **References Cited**

**U.S. PATENT DOCUMENTS**

4,265,621 A \* 5/1981 McVey ..... A61C 17/092  
433/91  
D632,387 S \* 2/2011 Sidhu ..... A61C 17/08  
D24/112

\* cited by examiner

*Primary Examiner* — David G Muller

(74) *Attorney, Agent, or Firm* — Mintz, Levin, Cohn,  
Ferris, Glovsky and Popeo, P.C.

(57) **CLAIM**

The ornamental design for a suction tool, as shown and described.

**DESCRIPTION**

FIG. 1 is a front, side, and top perspective view of a suction tool of our design;  
FIG. 2 is a front view thereof;  
FIG. 3 is a rear view thereof;  
FIG. 4 is a left side view thereof;  
FIG. 5 is right side view thereof;  
FIG. 6 is a top view thereof;  
FIG. 7 is a bottom view thereof; and,  
FIG. 8 is a side cross-sectional view thereof, taken along the line 8-8 as shown in FIG. 7.

**1 Claim, 4 Drawing Sheets**

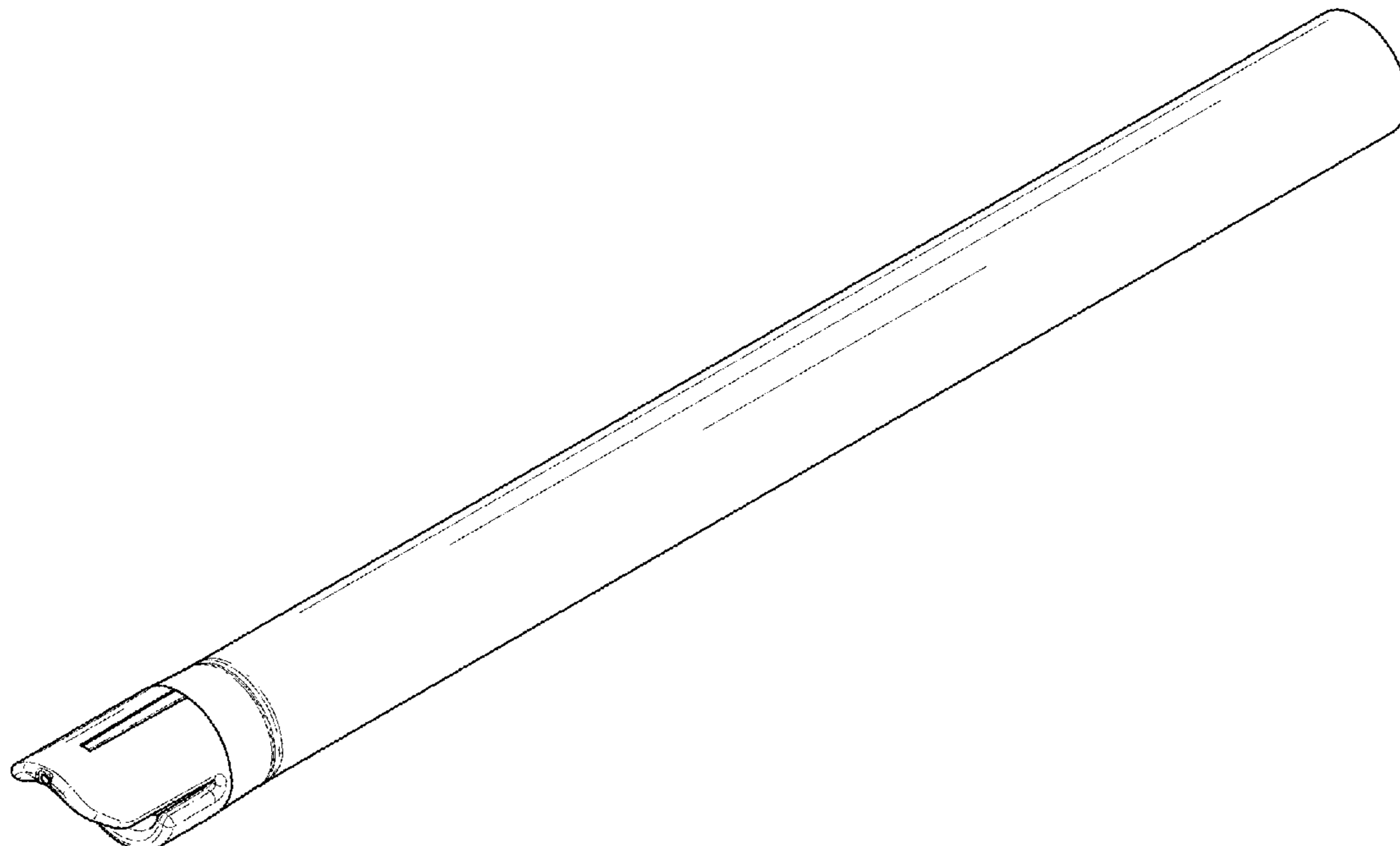
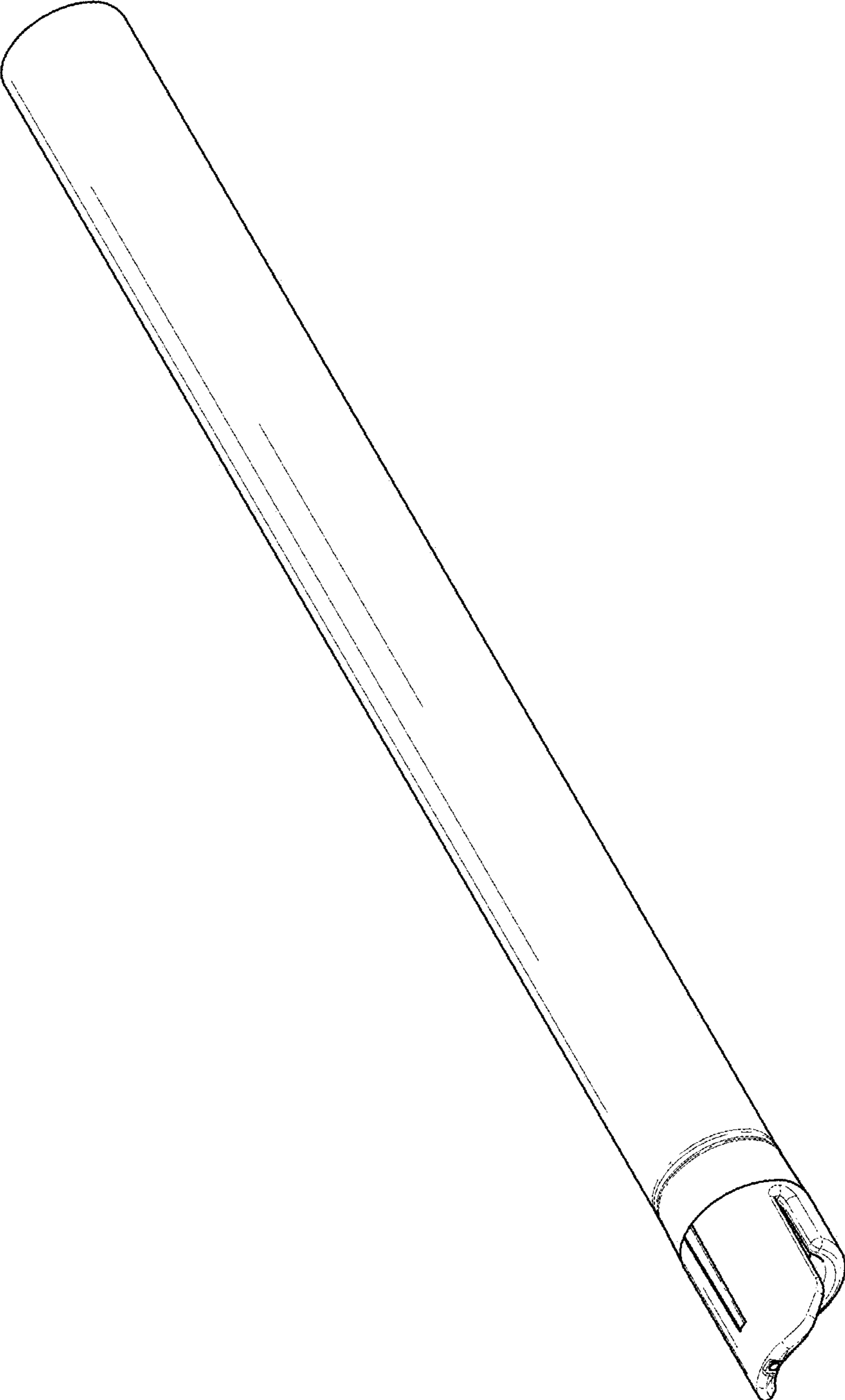


FIG. 1



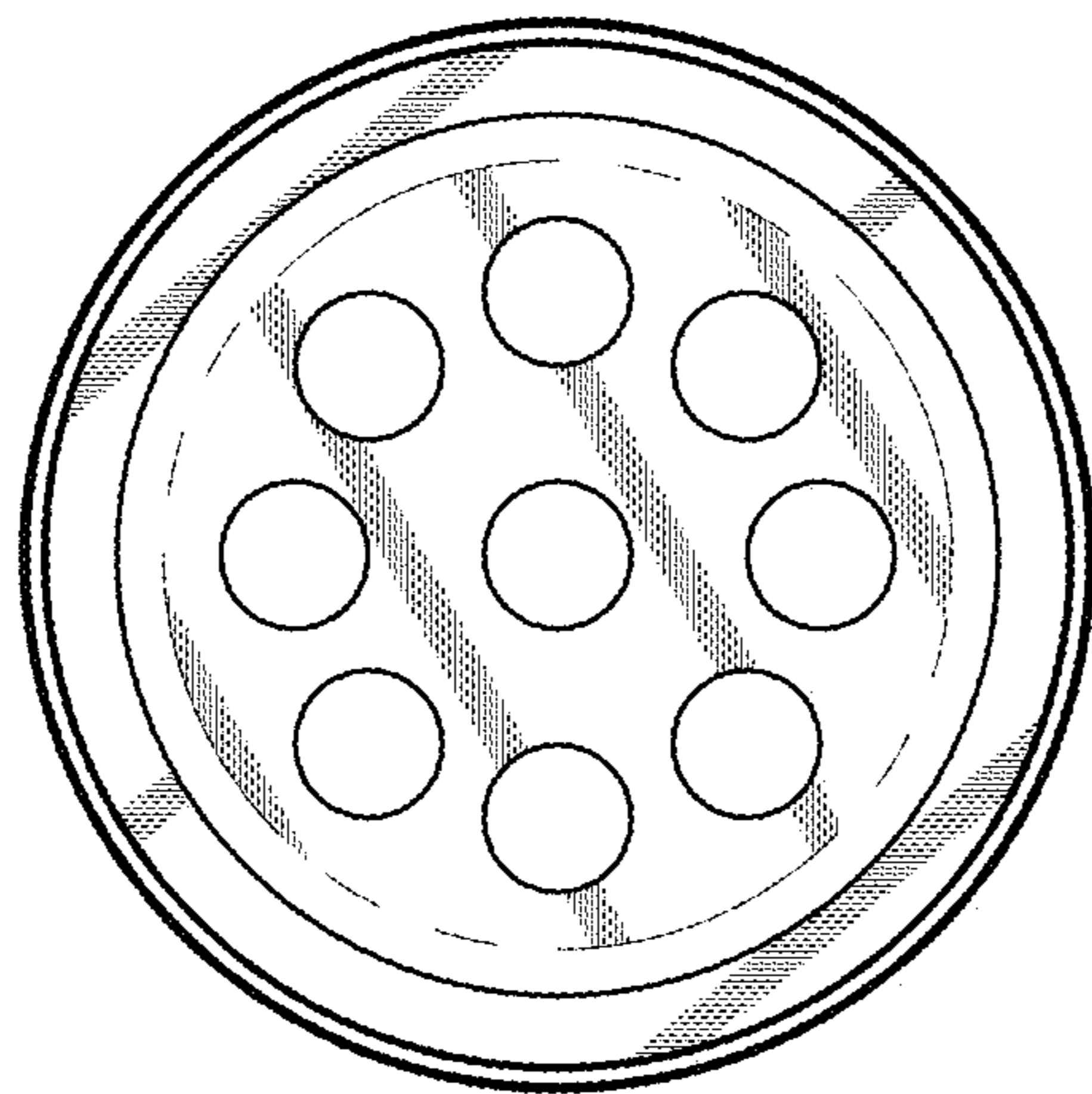


FIG. 3

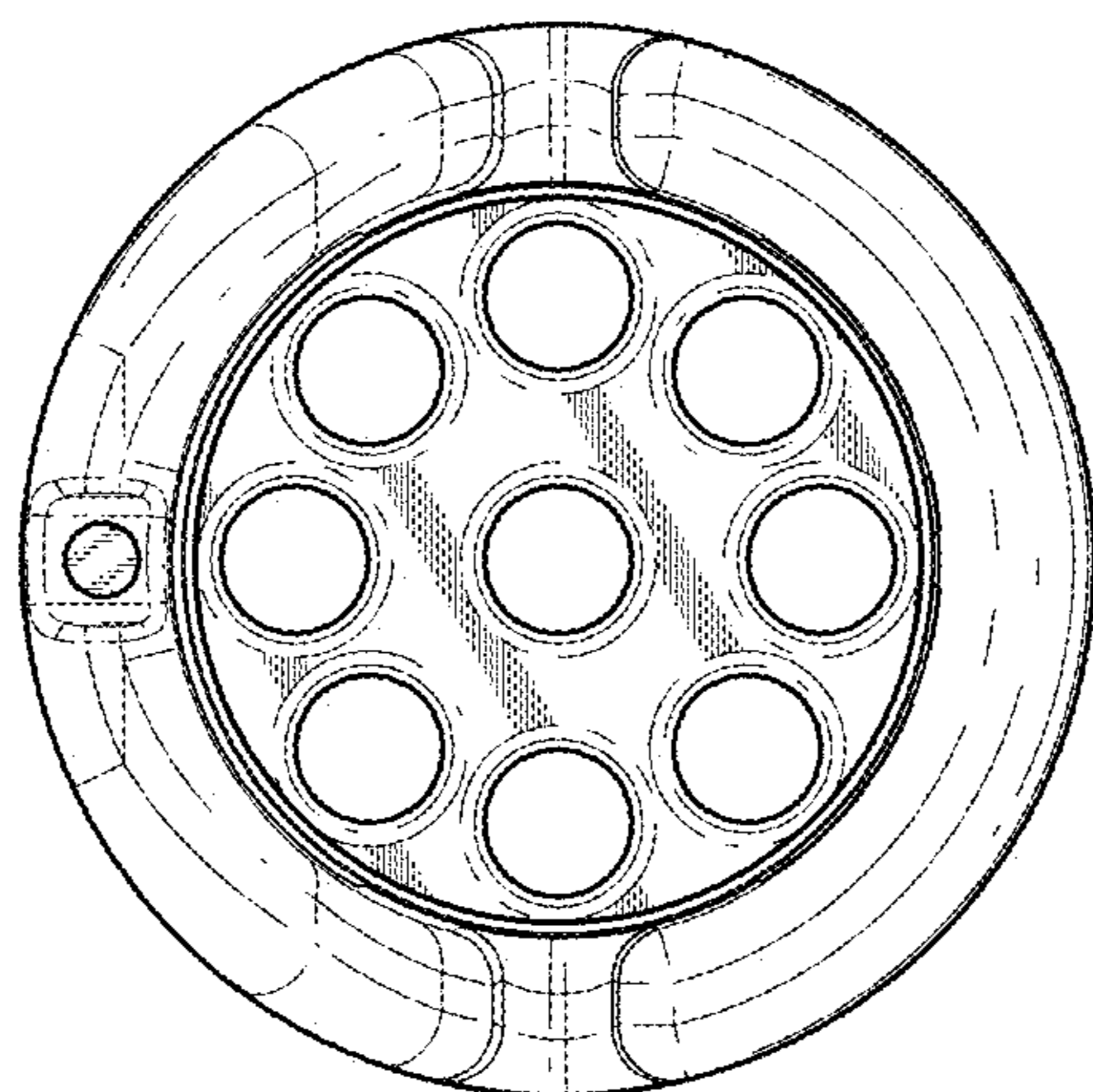


FIG. 2

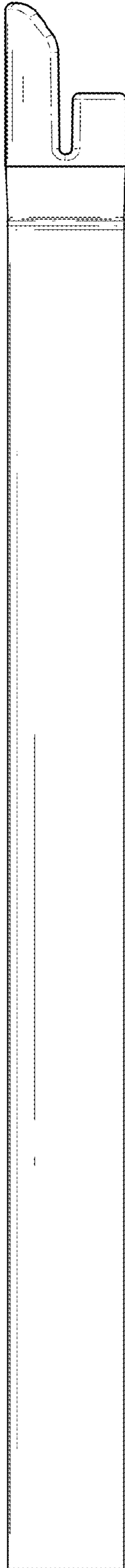


FIG. 4

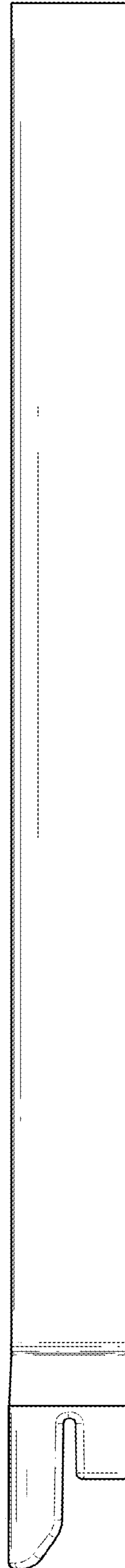


FIG. 5

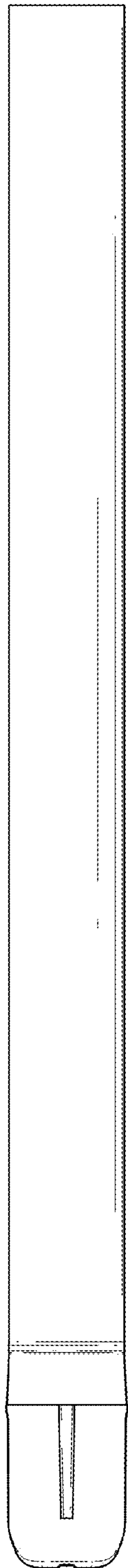


FIG. 6

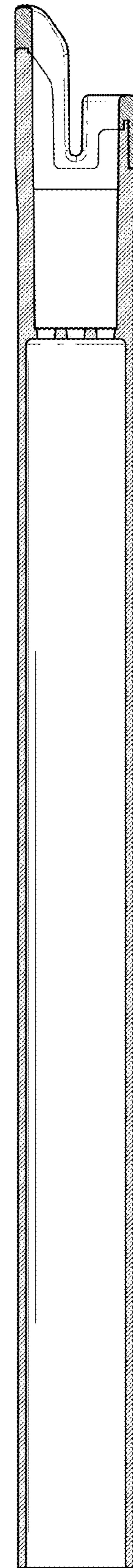
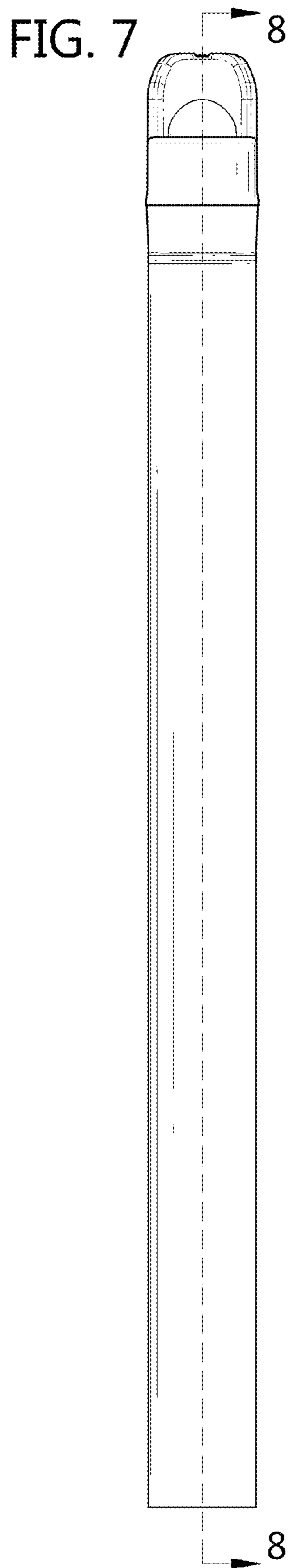


FIG. 8