



US00D956957S

(12) **United States Design Patent** (10) **Patent No.:** **US D956,957 S**  
**Senff et al.** (45) **Date of Patent:** **\*\* Jul. 5, 2022**

- (54) **RESERVOIR FOR WATER FLOSSER**
- (71) Applicant: **WATER PIK, INC.**, Fort Collins, CO (US)
- (72) Inventors: **Oscar C. Senff**, Broomfield, CO (US);  
**Jeffrey Ladwig**, Seattle, WA (US);  
**Carson Massie**, Seattle, WA (US);  
**Adam Weisgerber**, Shoreline, WA (US)
- (73) Assignee: **WATER PIK, INC.**, Fort Collins, CO (US)
- (\*\*) Term: **15 Years**
- (21) Appl. No.: **29/768,954**
- (22) Filed: **Feb. 2, 2021**

**Related U.S. Application Data**

- (63) Continuation of application No. 29/736,723, filed on Jun. 2, 2020, now Pat. No. Des. 912,241, which is a (Continued)
- (51) **LOC (13) Cl.** ..... **28-03**
- (52) **U.S. Cl.**  
USPC ..... **D24/111**
- (58) **Field of Classification Search**  
USPC ..... D24/111, 108, 112-115, 117, 152, 176;  
D4/101, 102, 110, 111  
CPC ... A61C 15/046; A61C 15/047; A61C 15/048;  
A61C 17/00; A61C 17/005; A61C 17/02;  
A61C 17/0202; A61C 17/0205; A61C  
17/0211; A61C 17/16; A61C 17/22; A61C  
17/222; A61C 17/225; A61C 17/227;  
A61C 17/28; A61C 17/32; A61C 17/34;  
A61C 17/36

See application file for complete search history.

(56) **References Cited**

U.S. PATENT DOCUMENTS

555,588 A 3/1896 Spencer  
1,278,225 A 9/1918 Schamberg  
(Continued)

FOREIGN PATENT DOCUMENTS

CA 851479 9/1970  
CH 655237 4/1986  
(Continued)

OTHER PUBLICATIONS

US RE27,274 E, 01/1972, Mattingly (withdrawn)  
(Continued)

*Primary Examiner* — Lilyana Bekic  
*Assistant Examiner* — Lee D. Starr  
(74) *Attorney, Agent, or Firm* — Dorsey & Whitney LLP

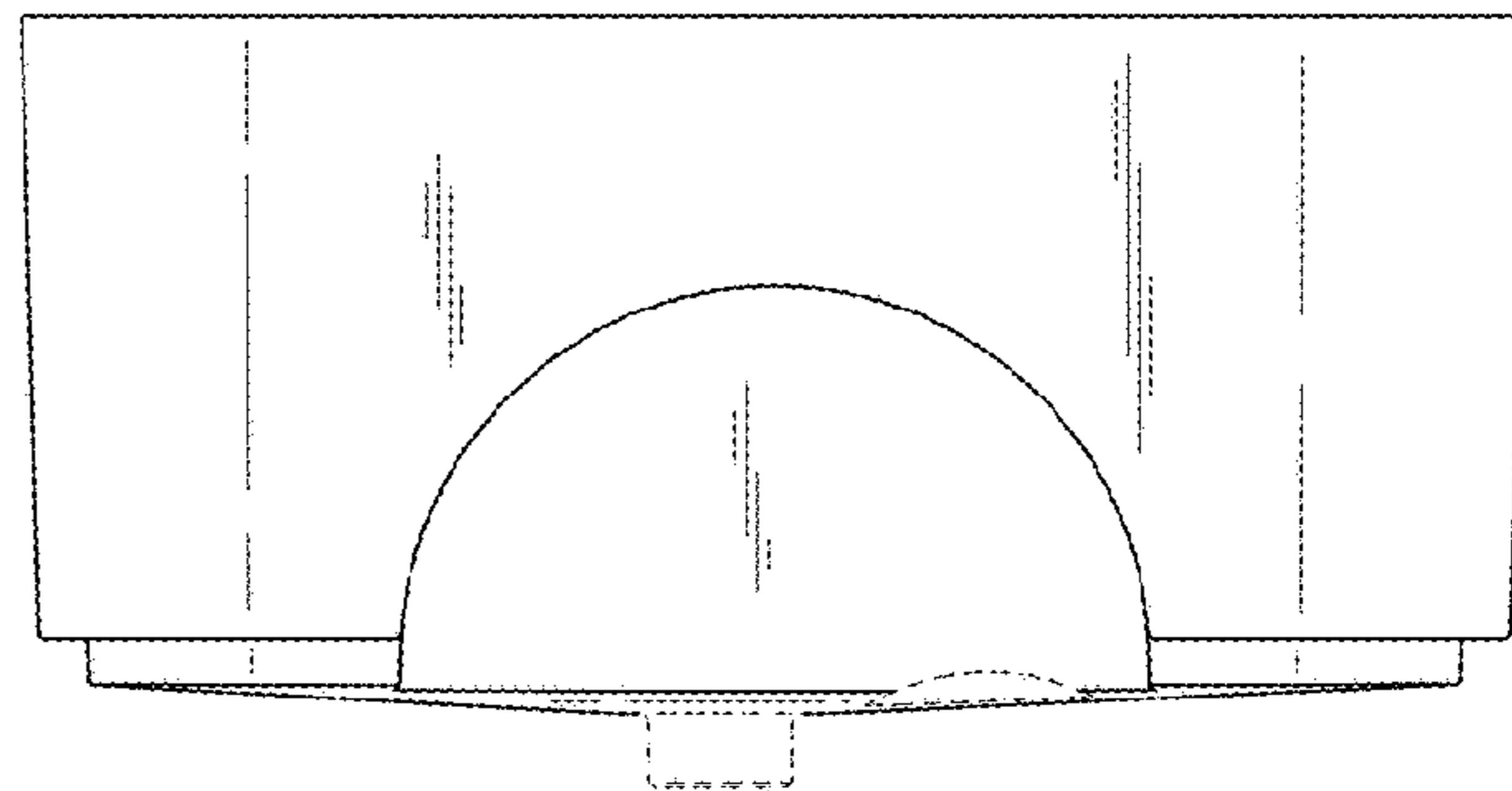
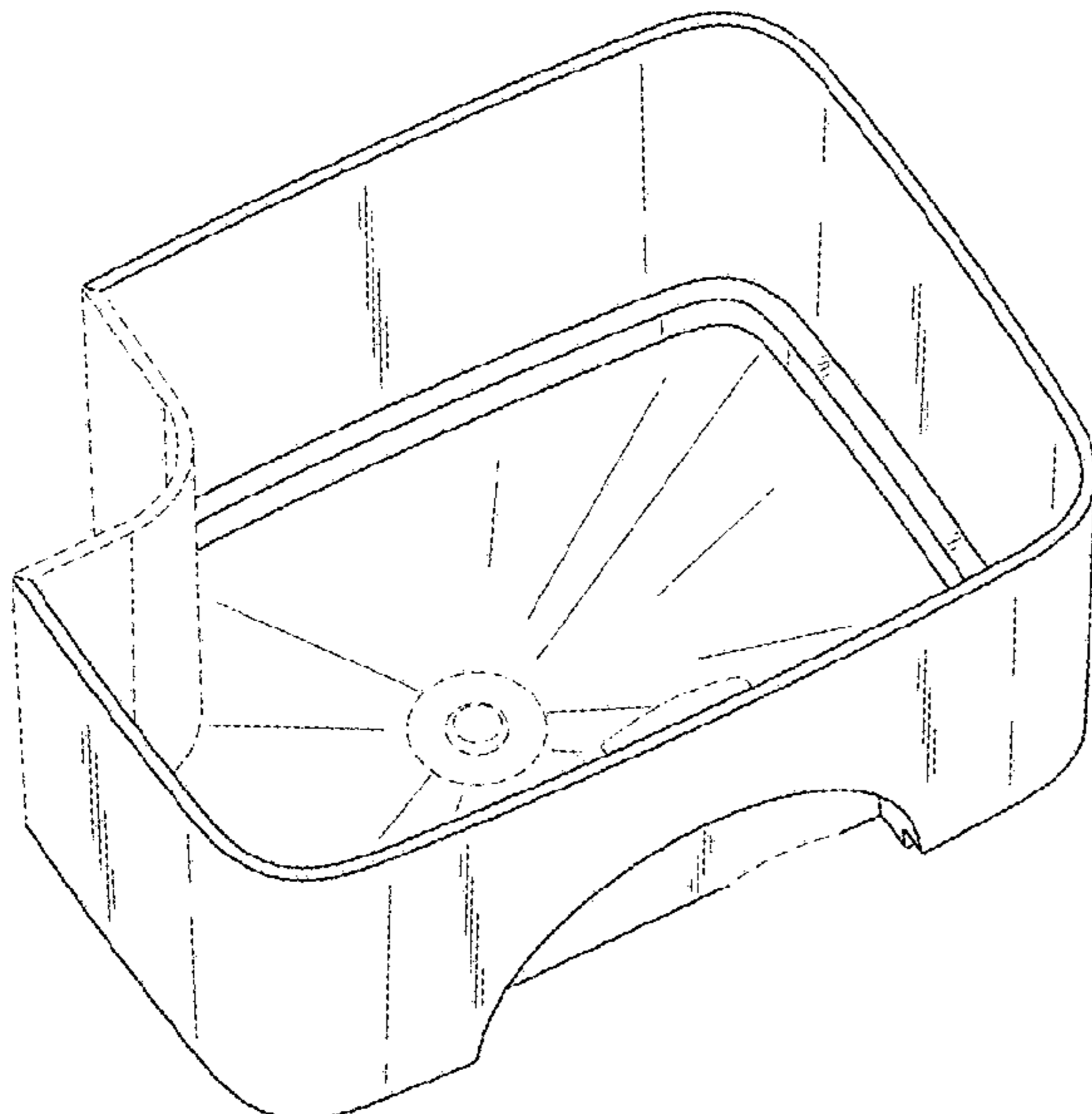
(57) **CLAIM**

We claim the ornamental design for a reservoir for water flosser, as shown and described.

**DESCRIPTION**

FIG. 1 is a front isometric view of a reservoir for water flosser.  
FIG. 2 is another front isometric view thereof.  
FIG. 3 is a rear isometric view thereof.  
FIG. 4 is a front elevation view thereof.  
FIG. 5 is a rear elevation view thereof.  
FIG. 6 is a left side elevation view thereof.  
FIG. 7 is a right side elevation view thereof.  
FIG. 8 is a top plan view thereof; and,  
FIG. 9 is a bottom plan view thereof.  
The dash-dash broken lines illustrate portions of the reservoir for water flosser that form no part of the claimed design. The dash-dot broken lines in FIGS. 1, 2 and 8 depict the bounds of the claimed design and form no part thereof.

**1 Claim, 6 Drawing Sheets**



**Related U.S. Application Data**

continuation of application No. 29/681,232, filed on  
Feb. 22, 2019, now Pat. No. Des. 889,636.

(56)

**References Cited**

## U.S. PATENT DOCUMENTS

|             |         |                      |             |         |                  |
|-------------|---------|----------------------|-------------|---------|------------------|
| 1,464,419 A | 8/1923  | Gill                 | 3,811,432 A | 5/1974  | Moret            |
| 1,498,267 A | 6/1924  | Hachman              | 3,820,532 A | 6/1974  | Eberhardt et al. |
| 1,650,686 A | 11/1927 | Binks                | 3,827,147 A | 8/1974  | Condon           |
| 1,669,889 A | 5/1928  | Andrews et al.       | 3,837,166 A | 9/1974  | Hiraoka          |
| 1,681,320 A | 8/1928  | Bergl et al.         | 3,840,795 A | 10/1974 | Roszyk et al.    |
| 1,933,454 A | 10/1933 | Sidney               | 3,847,145 A | 11/1974 | Grossan          |
| 2,107,686 A | 2/1938  | Bramsen et al.       | 3,854,209 A | 12/1974 | Franklin et al.  |
| 2,669,233 A | 2/1954  | Friend               | 3,863,628 A | 2/1975  | Vit              |
| 2,783,919 A | 3/1957  | Ansell               | 3,871,560 A | 3/1975  | Crippa           |
| 2,794,437 A | 6/1957  | Tash                 | 3,874,506 A | 4/1975  | Hill et al.      |
| 2,870,932 A | 1/1959  | Davis                | 3,912,125 A | 10/1975 | Acklin           |
| 2,984,452 A | 5/1961  | Hooper               | 3,943,628 A | 3/1976  | Kronman et al.   |
| 3,089,490 A | 5/1963  | Goldberg             | 3,959,883 A | 6/1976  | Walls et al.     |
| 3,096,913 A | 7/1963  | Jousson              | 3,973,558 A | 8/1976  | Stouffer et al.  |
| 3,144,867 A | 8/1964  | Trupp et al.         | 3,977,084 A | 8/1976  | Sloan            |
| 3,209,956 A | 10/1965 | McKenzie             | 4,001,526 A | 1/1977  | Olson            |
| 3,216,619 A | 11/1965 | Richards et al.      | 4,004,302 A | 1/1977  | Hori             |
| 3,225,759 A | 12/1965 | Drapen et al.        | 4,007,739 A | 2/1977  | Bron et al.      |
| 3,227,158 A | 1/1966  | Mattingly            | 4,052,002 A | 10/1977 | Stouffer et al.  |
| 3,266,623 A | 8/1966  | Poferl               | D246,667 S  | 12/1977 | Mackay et al.    |
| 3,297,558 A | 1/1967  | Hillquist            | D246,668 S  | 12/1977 | Mackay           |
| D208,778 S  | 10/1967 | Koch                 | 4,060,870 A | 12/1977 | Cannarella       |
| D209,204 S  | 11/1967 | St. Clair et al.     | 4,075,761 A | 2/1978  | Behne et al.     |
| D209,395 S  | 11/1967 | Gilbert              | 4,078,558 A | 3/1978  | Woog et al.      |
| D210,018 S  | 1/1968  | Mattingly et al.     | 4,108,167 A | 8/1978  | Hickman et al.   |
| D210,019 S  | 1/1968  | Johnson et al.       | 4,108,178 A | 8/1978  | Betush           |
| D210,020 S  | 1/1968  | Mackay               | 4,109,650 A | 8/1978  | Peclard          |
| 3,370,214 A | 2/1968  | Aymar                | 4,122,845 A | 10/1978 | Stouffer et al.  |
| 3,391,696 A | 7/1968  | Woodward             | 4,135,501 A | 1/1979  | Leunissan        |
| 3,393,673 A | 7/1968  | Mattingly et al.     | 4,141,352 A | 2/1979  | Ebner et al.     |
| 3,400,999 A | 9/1968  | Goldstein            | 4,144,646 A | 3/1979  | Takemoto et al.  |
| 3,418,552 A | 12/1968 | Holmes               | 4,149,315 A | 4/1979  | Page, Jr. et al. |
| 3,420,228 A | 1/1969  | Kalbfeld             | 4,154,375 A | 5/1979  | Bippus           |
| 3,425,410 A | 2/1969  | Cammack              | 4,160,383 A | 7/1979  | Rauschenberger   |
| 3,453,969 A | 7/1969  | Mattingly            | 4,182,038 A | 1/1980  | Fleer            |
| 3,465,751 A | 9/1969  | Powers               | 4,201,200 A | 5/1980  | Hubner           |
| 3,467,083 A | 9/1969  | Mattingly            | 4,215,476 A | 8/1980  | Armstrong        |
| 3,487,828 A | 1/1970  | Troy                 | 4,219,618 A | 8/1980  | Leonard          |
| 3,489,268 A | 1/1970  | Meierhoefer          | 4,227,878 A | 10/1980 | Lohn             |
| 3,495,587 A | 2/1970  | Freedman             | 4,229,634 A | 10/1980 | Hickman et al.   |
| 3,496,933 A | 2/1970  | Lloyd                | 4,236,889 A | 12/1980 | Wright           |
| 3,499,440 A | 3/1970  | Gibbs                | 4,248,589 A | 2/1981  | Lewis            |
| 3,500,824 A | 3/1970  | Gilbert              | 4,249,899 A | 2/1981  | Davis            |
| 3,501,203 A | 3/1970  | Falk                 | 4,257,458 A | 3/1981  | Kondo et al.     |
| 3,502,072 A | 3/1970  | Stillman             | 4,262,799 A | 4/1981  | Perrett          |
| 3,517,669 A | 6/1970  | Buono et al.         | 4,266,934 A | 5/1981  | Pernot           |
| D218,270 S  | 8/1970  | Soper                | 4,276,023 A | 6/1981  | Phillips et al.  |
| 3,522,801 A | 8/1970  | Robinson             | 4,276,880 A | 7/1981  | Malmin           |
| 3,532,221 A | 10/1970 | Kaluhiokalani et al. | 4,302,186 A | 11/1981 | Cammack et al.   |
| 3,536,065 A | 10/1970 | Moret                | 4,303,064 A | 12/1981 | Buffa            |
| 3,537,444 A | 11/1970 | Garn                 | 4,303,070 A | 12/1981 | Ichikawa et al.  |
| 3,538,950 A | 11/1970 | Porteners            | 4,315,741 A | 2/1982  | Reichl           |
| 3,547,110 A | 12/1970 | Balamuth             | 4,319,568 A | 3/1982  | Tregoning        |
| 3,561,433 A | 2/1971  | Kovach               | 4,331,422 A | 5/1982  | Heyman           |
| D220,334 S  | 3/1971  | Mackay et al.        | 4,337,040 A | 6/1982  | Cammack et al.   |
| 3,572,375 A | 3/1971  | Rosenberg            | 4,340,365 A | 7/1982  | Pisanu           |
| 3,578,884 A | 5/1971  | Jacobson             | 4,340,368 A | 7/1982  | Lococo           |
| 3,583,609 A | 6/1971  | Oppenheimer          | D266,117 S  | 9/1982  | Oberheim         |
| 3,590,813 A | 7/1971  | Roszyk               | 4,353,694 A | 10/1982 | Pelerin          |
| 3,608,548 A | 9/1971  | Lewis                | 4,363,626 A | 12/1982 | Schmidt et al.   |
| D222,862 S  | 1/1972  | Cook                 | 4,365,376 A | 12/1982 | Oda et al.       |
| 3,636,947 A | 1/1972  | Balamuth             | 4,370,131 A | 1/1983  | Banko            |
| 3,651,576 A | 3/1972  | Massa                | 4,374,354 A | 2/1983  | Petrovic et al.  |
| 3,669,101 A | 6/1972  | Kleiner              | 4,382,167 A | 5/1983  | Maruyama et al.  |
| 3,703,170 A | 11/1972 | Ryckman, Jr.         | 4,382,786 A | 5/1983  | Lohn             |
| 3,747,595 A | 7/1973  | Grossan              | D270,000 S  | 8/1983  | Ketler           |
| 3,768,472 A | 10/1973 | Hodosh et al.        | 4,412,823 A | 11/1983 | Sakai et al.     |
| 3,783,364 A | 1/1974  | Gallanis et al.      | 4,442,830 A | 4/1984  | Markau           |
| 3,809,506 A | 5/1974  | Malcosky             | 4,442,831 A | 4/1984  | Trenary          |
| 3,809,977 A | 5/1974  | Balamuth et al.      | 4,452,238 A | 6/1984  | Kerr             |
|             |         |                      | 4,454,866 A | 6/1984  | Fayen            |
|             |         |                      | 4,512,769 A | 4/1985  | Kozam et al.     |
|             |         |                      | 4,517,962 A | 5/1985  | Heckele          |
|             |         |                      | 4,531,912 A | 7/1985  | Schuss et al.    |
|             |         |                      | 4,531,913 A | 7/1985  | Taguchi          |
|             |         |                      | 4,534,340 A | 8/1985  | Kerr et al.      |
|             |         |                      | 4,552,130 A | 11/1985 | Kinoshita        |
|             |         |                      | 4,561,214 A | 12/1985 | Inoue            |
|             |         |                      | D283,374 S  | 4/1986  | Cheuk-Yiu        |

(56)

## References Cited

## U.S. PATENT DOCUMENTS

|             |         |                    |             |         |                  |
|-------------|---------|--------------------|-------------|---------|------------------|
| 4,585,415 A | 4/1986  | Hommann            | 5,049,071 A | 9/1991  | Davis et al.     |
| 4,591,777 A | 5/1986  | McCarty et al.     | 5,060,825 A | 10/1991 | Palmer et al.    |
| 4,592,728 A | 6/1986  | Davis              | 5,062,795 A | 11/1991 | Woog             |
| 4,602,906 A | 7/1986  | Grunenfelder       | 5,064,168 A | 11/1991 | Raines et al.    |
| 4,607,627 A | 8/1986  | Leber et al.       | D322,314 S  | 12/1991 | Ohbayashi        |
| 4,613,074 A | 9/1986  | Schulze            | 5,071,346 A | 12/1991 | Domaas           |
| 4,619,009 A | 10/1986 | Rosenstatter       | 5,082,115 A | 1/1992  | Hutcheson        |
| 4,619,612 A | 10/1986 | Weber et al.       | 5,082,443 A | 1/1992  | Lohn             |
| 4,629,425 A | 12/1986 | Detsch             | 5,085,317 A | 2/1992  | Jensen et al.    |
| 4,636,198 A | 1/1987  | Stade              | 5,086,756 A | 2/1992  | Powell           |
| 4,642,037 A | 2/1987  | Fritchman          | 5,095,893 A | 3/1992  | Rawden, Jr.      |
| 4,644,937 A | 2/1987  | Hommann            | 5,098,291 A | 3/1992  | Curtis et al.    |
| 4,645,488 A | 2/1987  | Matukas            | 5,098,676 A | 3/1992  | Brooks, Jr.      |
| 4,647,831 A | 3/1987  | O'Malley et al.    | 5,100,319 A | 3/1992  | Baum             |
| 4,648,838 A | 3/1987  | Schiachter         | 5,117,871 A | 6/1992  | Gardner et al.   |
| 4,650,475 A | 3/1987  | Smith et al.       | 5,125,835 A | 6/1992  | Young            |
| 4,655,198 A | 4/1987  | Hommann            | 5,127,831 A | 7/1992  | Bab              |
| 4,669,453 A | 6/1987  | Atkinson et al.    | 5,142,723 A | 9/1992  | Lustig et al.    |
| 4,672,953 A | 6/1987  | DiVito             | 5,150,841 A | 9/1992  | Silvenis et al.  |
| 4,673,396 A | 6/1987  | Urbaniak           | 5,172,810 A | 12/1992 | Brewer           |
| D291,354 S  | 8/1987  | Camens             | 5,173,273 A | 12/1992 | Brewer           |
| 4,716,352 A | 12/1987 | Hurn et al.        | 5,183,035 A | 2/1993  | Weir             |
| 4,749,340 A | 6/1988  | Ikeda et al.       | 5,197,458 A | 3/1993  | Ito et al.       |
| 4,770,632 A | 9/1988  | Ryder et al.       | 5,197,460 A | 3/1993  | Ito et al.       |
| 4,783,321 A | 11/1988 | Spence             | 5,199,871 A | 4/1993  | Young            |
| 4,787,845 A | 11/1988 | Valentine          | 5,203,697 A | 4/1993  | Maimin           |
| 4,787,847 A | 11/1988 | Martin et al.      | 5,203,769 A | 4/1993  | Clement et al.   |
| 4,798,292 A | 1/1989  | Hauze              | 5,204,004 A | 4/1993  | Johnston et al.  |
| 4,803,974 A | 2/1989  | Powell             | 5,208,933 A | 5/1993  | Lustig et al.    |
| 4,804,364 A | 2/1989  | Dieras et al.      | 5,215,193 A | 6/1993  | Dennis           |
| 4,818,229 A | 4/1989  | Vasile             | 5,218,956 A | 6/1993  | Handler et al.   |
| 4,820,152 A | 4/1989  | Warrin et al.      | 5,220,914 A | 6/1993  | Thompson         |
| 4,821,923 A | 4/1989  | Skorka             | 5,228,646 A | 7/1993  | Raines           |
| 4,824,368 A | 4/1989  | Hickman            | 5,230,624 A | 7/1993  | Wolf et al.      |
| 4,826,431 A | 5/1989  | Fujimura et al.    | 5,232,687 A | 8/1993  | Geimer           |
| 4,827,551 A | 5/1989  | Maser et al.       | 5,235,968 A | 8/1993  | Woog             |
| 4,832,683 A | 5/1989  | Idemoto et al.     | 5,241,714 A | 9/1993  | Barry            |
| 4,854,869 A | 8/1989  | Lawhorn            | 5,246,367 A | 9/1993  | Ito et al.       |
| 4,861,340 A | 8/1989  | Smith et al.       | 5,252,064 A | 10/1993 | Baum et al.      |
| 4,862,876 A | 9/1989  | Lih-Sheng          | D341,200 S  | 11/1993 | Yoshimoto        |
| 4,869,720 A | 9/1989  | Chernack           | 5,257,933 A | 11/1993 | Jousson          |
| 4,880,382 A | 11/1989 | Moret et al.       | 5,261,448 A | 11/1993 | Furuya et al.    |
| 4,886,452 A | 12/1989 | Lohn               | D341,943 S  | 12/1993 | Si-Hoe           |
| 4,900,252 A | 2/1990  | Liefke et al.      | 5,267,586 A | 12/1993 | Jankavaara       |
| 4,902,225 A | 2/1990  | Lohn               | 5,269,684 A | 12/1993 | Fischer          |
| 4,903,687 A | 2/1990  | Lih-Sheng          | 5,281,137 A | 1/1994  | Jousson          |
| 4,906,187 A | 3/1990  | Amadera            | 5,281,139 A | 1/1994  | Frank et al.     |
| 4,907,744 A | 3/1990  | Jousson            | 5,282,745 A | 2/1994  | Wiltrout et al.  |
| 4,925,450 A | 5/1990  | Imonti et al.      | 5,286,192 A | 2/1994  | Dixon            |
| 4,928,675 A | 5/1990  | Thornton           | 5,286,201 A | 2/1994  | Yu               |
| 4,930,660 A | 6/1990  | Porteous           | 5,295,832 A | 3/1994  | Evans            |
| 4,941,459 A | 7/1990  | Mathur             | 5,297,962 A | 3/1994  | O'Connor et al.  |
| 4,950,159 A | 8/1990  | Hansen             | D346,212 S  | 4/1994  | Hosi             |
| 4,958,629 A | 9/1990  | Peace et al.       | 5,301,381 A | 4/1994  | Klupt            |
| 4,958,751 A | 9/1990  | Curtis et al.      | 5,302,123 A | 4/1994  | Bechard          |
| 4,959,199 A | 9/1990  | Brewer             | 5,317,691 A | 5/1994  | Traeger          |
| 4,961,698 A | 10/1990 | Vlock              | 5,321,865 A | 6/1994  | Kaesar           |
| 4,966,551 A | 10/1990 | Betush             | 5,331,704 A | 7/1994  | Rosen et al.     |
| 4,969,874 A | 11/1990 | Michel et al.      | 5,344,317 A | 9/1994  | Pacher et al.    |
| 4,973,247 A | 11/1990 | Varnes et al.      | 5,346,677 A | 9/1994  | Risk             |
| 4,973,250 A | 11/1990 | Milman             | D351,892 S  | 10/1994 | Wolf et al.      |
| 4,975,054 A | 12/1990 | Esrock             | 5,360,338 A | 11/1994 | Waggoner         |
| 4,979,503 A | 12/1990 | Chernack           | 5,368,548 A | 11/1994 | Jousson          |
| 4,979,504 A | 12/1990 | Mills              | 5,370,534 A | 12/1994 | Wolf et al.      |
| 4,989,590 A | 2/1991  | Baum et al.        | D354,168 S  | 1/1995  | Hartwein         |
| 4,998,880 A | 3/1991  | Nerli              | 5,378,149 A | 1/1995  | Stropko          |
| 5,013,241 A | 5/1991  | von Gutfeld et al. | 5,380,201 A | 1/1995  | Kawata           |
| 5,014,884 A | 5/1991  | Wunsch             | D356,864 S  | 3/1995  | Woog             |
| 5,019,054 A | 5/1991  | Clement et al.     | 5,399,089 A | 3/1995  | Eichman et al.   |
| 5,027,798 A | 7/1991  | Primiano           | D358,883 S  | 5/1995  | Vos              |
| 5,029,576 A | 7/1991  | Evans, Sr.         | 5,456,672 A | 10/1995 | Diederich et al. |
| 5,033,617 A | 7/1991  | Hartwein et al.    | 5,465,445 A | 11/1995 | Yeh              |
| 5,033,961 A | 7/1991  | Kankler et al.     | 5,467,495 A | 11/1995 | Boland et al.    |
| D318,918 S  | 8/1991  | Hartwein           | 5,468,148 A | 11/1995 | Ricks            |
| 5,046,486 A | 9/1991  | Grulke et al.      | 5,470,305 A | 11/1995 | Arnett et al.    |
|             |         |                    | 5,474,450 A | 12/1995 | Chronister       |
|             |         |                    | 5,474,451 A | 12/1995 | Dalrymple et al. |
|             |         |                    | 5,476,379 A | 12/1995 | Disel            |
|             |         |                    | 5,484,281 A | 1/1996  | Renow et al.     |

(56)

## References Cited

## U.S. PATENT DOCUMENTS

|           |    |         |                   |           |    |         |                  |
|-----------|----|---------|-------------------|-----------|----|---------|------------------|
| 5,487,877 | A  | 1/1996  | Choi              | 6,233,773 | B1 | 5/2001  | Karge et al.     |
| 5,490,779 | A  | 2/1996  | Malmin            | 6,234,205 | B1 | 5/2001  | D'Amelio et al.  |
| 5,505,916 | A  | 4/1996  | Berry, Jr.        | 6,237,178 | B1 | 5/2001  | Krammer et al.   |
| D369,656  | S  | 5/1996  | Vos               | 6,247,929 | B1 | 6/2001  | Bachman et al.   |
| 5,525,058 | A  | 6/1996  | Gallant et al.    | D448,236  | S  | 9/2001  | Murray           |
| 5,526,841 | A  | 6/1996  | Detsch et al.     | 6,293,792 | B1 | 9/2001  | Hanson           |
| 5,540,587 | A  | 7/1996  | Maimin            | D449,884  | S  | 10/2001 | Tobin et al.     |
| 5,547,374 | A  | 8/1996  | Coleman           | D453,453  | S  | 2/2002  | Lun              |
| D373,631  | S  | 9/1996  | Maeda et al.      | 6,363,565 | B1 | 4/2002  | Paffrath         |
| 5,554,014 | A  | 9/1996  | Becker            | D464,799  | S  | 10/2002 | Crossman et al.  |
| 5,554,025 | A  | 9/1996  | Kinsel            | 6,468,482 | B1 | 10/2002 | Frieze et al.    |
| 5,556,001 | A  | 9/1996  | Weissman et al.   | 6,475,173 | B1 | 11/2002 | Bachman et al.   |
| 5,564,629 | A  | 10/1996 | Weissman et al.   | 6,485,451 | B1 | 11/2002 | Roberts et al.   |
| D377,091  | S  | 12/1996 | Scott, Sr.        | 6,497,375 | B1 | 12/2002 | Srinath et al.   |
| 5,616,028 | A  | 4/1997  | Hafele et al.     | 6,497,572 | B2 | 12/2002 | Hood et al.      |
| 5,634,791 | A  | 6/1997  | Matsuura et al.   | 6,502,584 | B1 | 1/2003  | Fordham          |
| 5,636,987 | A  | 6/1997  | Serfaty           | D470,660  | S  | 2/2003  | Schaber          |
| 5,640,735 | A  | 6/1997  | Manning           | 6,558,344 | B2 | 5/2003  | McKinnon et al.  |
| 5,653,591 | A  | 8/1997  | Loge              | 6,561,808 | B2 | 5/2003  | Neuberger et al. |
| 5,659,995 | A  | 8/1997  | Hoffman           | D475,346  | S  | 6/2003  | McCurrach et al. |
| 5,667,483 | A  | 9/1997  | Santos            | 6,589,477 | B1 | 7/2003  | Frieze et al.    |
| D386,576  | S  | 11/1997 | Wang et al.       | 6,602,071 | B1 | 8/2003  | Ellion et al.    |
| 5,683,192 | A  | 11/1997 | Kilfoil           | 6,632,091 | B1 | 10/2003 | Cise et al.      |
| 5,685,829 | A  | 11/1997 | Allen             | D482,451  | S  | 11/2003 | Page et al.      |
| 5,685,851 | A  | 11/1997 | Murphy et al.     | 6,640,999 | B2 | 11/2003 | Peterson         |
| 5,697,784 | A  | 12/1997 | Hafele et al.     | 6,647,577 | B2 | 11/2003 | Tam              |
| D388,612  | S  | 1/1998  | Stutzer et al.    | 6,659,674 | B2 | 12/2003 | Carlucci et al.  |
| D388,613  | S  | 1/1998  | Stutzer et al.    | 6,669,059 | B2 | 12/2003 | Mehta            |
| 5,709,545 | A  | 1/1998  | Johnston et al.   | D484,971  | S  | 1/2004  | Hartwein         |
| 5,716,007 | A  | 2/1998  | Nottingham et al. | 6,681,418 | B1 | 1/2004  | Bierend          |
| 5,718,668 | A  | 2/1998  | Arnett et al.     | D486,573  | S  | 2/2004  | Callaghan et al. |
| 5,746,595 | A  | 5/1998  | Ford              | 6,689,078 | B1 | 2/2004  | Rehkemper et al. |
| 5,749,726 | A  | 5/1998  | Kinsel            | 6,699,208 | B2 | 3/2004  | Bachman et al.   |
| 5,759,502 | A  | 6/1998  | Spencer et al.    | 6,719,561 | B2 | 4/2004  | Gugel et al.     |
| 5,779,471 | A  | 7/1998  | Tseng             | D489,183  | S  | 5/2004  | Akahori et al.   |
| 5,779,654 | A  | 7/1998  | Foley et al.      | 6,739,782 | B1 | 5/2004  | Rehkemper et al. |
| 5,795,153 | A  | 8/1998  | Rech              | 6,740,053 | B2 | 5/2004  | Kaplowitz        |
| 5,796,325 | A  | 8/1998  | Lundell et al.    | D490,899  | S  | 6/2004  | Gagnon           |
| 5,833,065 | A  | 11/1998 | Burgess           | D491,728  | S  | 6/2004  | Jimenez          |
| 5,836,030 | A  | 11/1998 | Hazeu et al.      | D492,996  | S  | 7/2004  | Rehkemper et al. |
| D402,744  | S  | 12/1998 | Zuege             | 6,761,324 | B2 | 7/2004  | Chang            |
| 5,851,079 | A  | 12/1998 | Horstman et al.   | 6,766,549 | B2 | 7/2004  | Klupt            |
| D403,511  | S  | 1/1999  | Serbinski         | D495,142  | S  | 8/2004  | Berde            |
| D406,334  | S  | 3/1999  | Rosenthal et al.  | D495,143  | S  | 8/2004  | Berde            |
| 5,876,201 | A  | 3/1999  | Wilson et al.     | 6,779,216 | B2 | 8/2004  | Davies et al.    |
| D408,511  | S  | 4/1999  | Allen et al.      | 6,783,004 | B1 | 8/2004  | Rinner           |
| 5,901,397 | A  | 5/1999  | Häfele et al.     | 6,783,505 | B1 | 8/2004  | Lai              |
| 5,934,902 | A  | 8/1999  | Abahusayn         | 6,796,796 | B2 | 9/2004  | Segal            |
| D413,975  | S  | 9/1999  | Maeda             | D498,643  | S  | 11/2004 | Pryor            |
| D417,082  | S  | 11/1999 | Classen et al.    | 6,814,259 | B1 | 11/2004 | Foster et al.    |
| 5,993,402 | A  | 11/1999 | Sauer et al.      | D499,885  | S  | 12/2004 | Xi               |
| 6,030,215 | A  | 2/2000  | Ellion et al.     | 6,835,181 | B2 | 12/2004 | Hippensteel      |
| 6,038,960 | A  | 3/2000  | Fukushima et al.  | D500,599  | S  | 1/2005  | Callaghan        |
| 6,039,180 | A  | 3/2000  | Grant             | 6,837,708 | B2 | 1/2005  | Chen et al.      |
| 6,047,429 | A  | 4/2000  | Wu                | 6,884,069 | B2 | 4/2005  | Goldman          |
| D425,615  | S  | 5/2000  | Bachman et al.    | 6,902,337 | B1 | 6/2005  | Kuo              |
| D425,981  | S  | 5/2000  | Bachman et al.    | 6,907,879 | B2 | 6/2005  | Drinan et al.    |
| 6,056,710 | A  | 5/2000  | Bachman et al.    | D509,585  | S  | 9/2005  | Kling et al.     |
| D426,633  | S  | 6/2000  | Bachman et al.    | D510,433  | S  | 10/2005 | Kling            |
| 6,089,865 | A  | 7/2000  | Edgar             | D513,638  | S  | 1/2006  | Pan              |
| 6,116,866 | A  | 9/2000  | Tomita et al.     | D522,652  | S  | 6/2006  | Massey           |
| 6,120,755 | A  | 9/2000  | Jacobs            | 7,080,980 | B2 | 7/2006  | Klupt            |
| 6,124,699 | A  | 9/2000  | Suzuki et al.     | D529,661  | S  | 10/2006 | Schmidt          |
| D434,500  | S  | 11/2000 | Pollock et al.    | D530,010  | S  | 10/2006 | Luetggen et al.  |
| 6,159,006 | A  | 12/2000 | Cook et al.       | 7,117,555 | B2 | 10/2006 | Fattori et al.   |
| 6,164,967 | A  | 12/2000 | Sale et al.       | 7,131,838 | B2 | 11/2006 | Suzuki et al.    |
| D435,905  | S  | 1/2001  | Bachman et al.    | D533,720  | S  | 12/2006 | Vu               |
| D437,049  | S  | 1/2001  | Hartwein          | 7,147,468 | B2 | 12/2006 | Snyder et al.    |
| 6,193,512 | B1 | 2/2001  | Wallace           | D538,474  | S  | 3/2007  | Sheppard et al.  |
| 6,193,932 | B1 | 2/2001  | Wu et al.         | D548,334  | S  | 8/2007  | Izumi            |
| 6,199,239 | B1 | 3/2001  | Dickerson         | D550,097  | S  | 9/2007  | Lepoitevin       |
| 6,200,134 | B1 | 3/2001  | Kovac             | 7,276,035 | B2 | 10/2007 | Lu               |
| D439,781  | S  | 4/2001  | Spore             | 7,314,456 | B2 | 1/2008  | Shaw             |
| 6,217,835 | B1 | 4/2001  | Riley et al.      | D565,175  | S  | 3/2008  | Boyd et al.      |
| D441,861  | S  | 5/2001  | Hafliker          | 7,344,510 | B1 | 3/2008  | Yande            |
|           |    |         |                   | D565,713  | S  | 4/2008  | Gao              |
|           |    |         |                   | 7,367,803 | B2 | 5/2008  | Egeresi          |
|           |    |         |                   | D574,952  | S  | 8/2008  | Boyd et al.      |
|           |    |         |                   | D577,198  | S  | 9/2008  | Jimenez          |

(56)

References Cited

U.S. PATENT DOCUMENTS

D577,814 S 9/2008 Seki et al.  
 D581,279 S 11/2008 Oates  
 7,455,521 B2 11/2008 Fishburne, Jr.  
 7,469,440 B2 12/2008 Boland et al.  
 7,500,584 B2 3/2009 Schutz  
 D590,492 S 4/2009 Powell  
 D595,136 S 6/2009 Canamasas Puigbo  
 D601,694 S 10/2009 Rocklin  
 D601,697 S 10/2009 Sobeich et al.  
 D603,708 S 11/2009 Handy  
 7,670,141 B2 3/2010 Thomas et al.  
 7,677,888 B1 3/2010 Halm  
 D613,550 S 4/2010 Picozza et al.  
 D621,949 S 8/2010 Seki et al.  
 7,814,585 B1 10/2010 Reich  
 D629,884 S 12/2010 Stephens  
 7,857,623 B2 12/2010 Grez  
 7,862,536 B2 1/2011 Chen et al.  
 7,959,597 B2 6/2011 Baker et al.  
 D640,872 S 7/2011 Nanda  
 D648,539 S 11/2011 Wai  
 8,113,832 B2 2/2012 Snyder et al.  
 8,220,726 B2 7/2012 Qiu et al.  
 D666,912 S 9/2012 Kawai  
 8,256,979 B2 9/2012 Hilscher et al.  
 D669,169 S 10/2012 Washington et al.  
 8,297,534 B2 10/2012 Li et al.  
 D670,373 S 11/2012 Taylor et al.  
 D670,958 S 11/2012 Picozza et al.  
 D671,637 S 11/2012 Gebski et al.  
 8,366,024 B2 2/2013 Leber et al.  
 8,403,577 B2 3/2013 Khoshnevis  
 8,403,665 B2 3/2013 Thomas et al.  
 8,408,483 B2 4/2013 Boyd et al.  
 D707,350 S 6/2014 Woodard  
 8,801,667 B2 8/2014 Taylor  
 D717,427 S 11/2014 Kim  
 D731,640 S 6/2015 Kim et al.  
 9,050,157 B2 6/2015 Boyd et al.  
 10,016,254 B2 7/2018 Luetttgen  
 D832,418 S 10/2018 Porter  
 D832,419 S 10/2018 Porter  
 D832,420 S 10/2018 Porter  
 D833,000 S 11/2018 Porter  
 D833,600 S 11/2018 Porter et al.  
 D834,180 S 11/2018 Porter  
 D858,750 S 9/2019 Porter  
 D859,644 S 9/2019 Porter  
 D866,750 S 11/2019 Yan  
 D867,579 S 11/2019 Porter  
 D872,855 S 1/2020 Porter  
 D889,636 S 7/2020 Senff  
 D893,017 S 8/2020 Porter et al.  
 D901,675 S \* 11/2020 Ross ..... D24/111  
 D912,241 S \* 3/2021 Senff ..... D24/111  
 D913,485 S \* 3/2021 Senff ..... D24/111  
 D940,301 S \* 1/2022 Senff ..... D24/111  
 2002/0090252 A1 7/2002 Hall et al.  
 2002/0108193 A1 8/2002 Gruber  
 2002/0119415 A1 8/2002 Bailey  
 2002/0152565 A1 10/2002 Klupt  
 2003/0098249 A1 5/2003 Rollock  
 2003/0204155 A1 10/2003 Egeresi  
 2003/0213075 A1 11/2003 Hui et al.  
 2004/0045107 A1 3/2004 Egeresi  
 2004/0076921 A1 4/2004 Gofman et al.  
 2004/0122377 A1 6/2004 Fischer et al.  
 2004/0126730 A1 7/2004 Panagotacos  
 2004/0209222 A1 10/2004 Snyder  
 2005/0049620 A1 3/2005 Chang  
 2005/0064371 A1 3/2005 Soukos et al.  
 2005/0101894 A1 5/2005 Hippensteel  
 2005/0102773 A1 5/2005 Obermann et al.  
 2005/0144745 A1 7/2005 Russell  
 2005/0177079 A1 8/2005 Pan

2005/0271531 A1 12/2005 Brown et al.  
 2006/0008373 A1 1/2006 Schutz  
 2006/0010624 A1 1/2006 Cleland  
 2006/0021165 A1 2/2006 Boland et al.  
 2006/0026784 A1 2/2006 Moskovich et al.  
 2006/0057539 A1 3/2006 Sodo  
 2006/0078844 A1 4/2006 Goldman et al.  
 2006/0079818 A1 4/2006 Yande  
 2007/0082316 A1 4/2007 Zhadanov et al.  
 2007/0082317 A1 4/2007 Chuang  
 2007/0113360 A1 5/2007 Tsai  
 2007/0202459 A1 8/2007 Boyd et al.  
 2007/0203439 A1 8/2007 Boyd et al.  
 2007/0254260 A1 11/2007 Alden  
 2008/0008979 A1 1/2008 Thomas et al.  
 2008/0189951 A1 8/2008 Molema et al.  
 2009/0070949 A1 3/2009 Sagel et al.  
 2009/0082706 A1 3/2009 Shaw  
 2009/0124945 A1 5/2009 Reich et al.  
 2009/0163839 A1 6/2009 Alexander  
 2009/0281454 A1 11/2009 Baker et al.  
 2010/0015566 A1 1/2010 Shaw  
 2010/0190132 A1 7/2010 Taylor et al.  
 2010/0239998 A1 9/2010 Snyder et al.  
 2010/0261134 A1 10/2010 Boyd et al.  
 2010/0261137 A1 10/2010 Boyd et al.  
 2010/0326536 A1 12/2010 Nan  
 2010/0330527 A1 12/2010 Boyd et al.  
 2011/0027749 A1 2/2011 Syed  
 2011/0076090 A1 3/2011 Wu et al.  
 2011/0097683 A1 4/2011 Boyd et al.  
 2011/0139826 A1 6/2011 Hair et al.  
 2011/0144588 A1 6/2011 Taylor et al.  
 2011/0184341 A1 7/2011 Baker et al.  
 2012/0021374 A1 1/2012 Cacka et al.  
 2012/0045730 A1 2/2012 Snyder et al.  
 2012/0064480 A1 3/2012 Hegemann  
 2012/0077145 A1 3/2012 Tsurukawa  
 2012/0141952 A1 6/2012 Snyder et al.  
 2012/0189976 A1 7/2012 McDonough et al.  
 2012/0266396 A1 10/2012 Leung  
 2012/0277677 A1 11/2012 Taylor et al.  
 2012/0277678 A1 11/2012 Taylor et al.  
 2012/0295220 A1 11/2012 Thomas et al.  
 2013/0295520 A1 11/2013 Hsieh  
 2014/0106296 A1 4/2014 Woodard et al.  
 2014/0193774 A1 7/2014 Snyder et al.  
 2014/0272769 A1 9/2014 Luetttgen  
 2014/0272782 A1 9/2014 Luetttgen et al.  
 2015/0147717 A1 5/2015 Taylor et al.  
 2015/0173850 A1 6/2015 Garrigues et al.  
 2018/0168784 A1 6/2018 Wagner  
 2018/0168785 A1 6/2018 Wagner  
 2020/0179088 A1 6/2020 Yuan et al.  
 2020/0268494 A1 8/2020 Senff

FOREIGN PATENT DOCUMENTS

DE 1466963 5/1969  
 DE 2409752 9/1975  
 DE 2545936 4/1977  
 DE 2714876 10/1978  
 DE 2910982 2/1980  
 EP 0023672 7/1980  
 EP 0515983 2/1992  
 FR 2556954 6/1985  
 FR 2654627 5/1991  
 GB 1182031 2/1970  
 GB 2018605 10/1979  
 JP 2-134150 5/1990  
 JP 2009-39455 2/2009  
 WO WO95/016404 6/1995  
 WO WO01/10327 2/2001  
 WO WOO4/021958 3/2004  
 WO WO04/039205 5/2004  
 WO WO2004/060259 7/2004

(56)

**References Cited**

FOREIGN PATENT DOCUMENTS

|    |               |         |
|----|---------------|---------|
| WO | WO2008/157585 | 12/2008 |
| WO | WO2013/124691 | 8/2013  |

OTHER PUBLICATIONS

The Right Tool, Electron Fusion Devices, Inc., 2 pages, at least as early as Feb. 1991.

Japanese Packaging, 2 pages, at least as early as Dec. 2002.

Japanese Instruction Brochure, 20 pages, at least as early as Dec. 2002.

Brochure: Woog International, "You have a 98% chance of getting gum disease. Unless you read this.", Lancaster, Pennsylvania, 5 pages, Feb. 1987.

Brochure: Woog International, "We put the control of home dental care back into the hands of the professional", Lancaster, Pennsylvania, 2 pages, Feb. 1987.

Brochure: Woog International, "Products at a Glance: Home Dental Care System" Woog Orajet, 3 pages, at least as early as Dec. 18, 1998.

Website: [http://www.just4teeth.com/product/Panasonic/Panasonic\\_Portable\\_Irrigator.htm](http://www.just4teeth.com/product/Panasonic/Panasonic_Portable_Irrigator.htm), 2 pages, at least as early as Jun. 20, 2003.

Website: [http://www.videodirectstore.com/store/merchant.mv?Screen=PROD&Product\\_Code=EW1](http://www.videodirectstore.com/store/merchant.mv?Screen=PROD&Product_Code=EW1). . . , 2 pages, at least as early as Jun. 20, 2003.

Website: <http://products.consumerguide.com/cp/family/review/index.cfm/id/18742>, 2 pages, at least as early as Jun. 20, 2003.

Website: <http://www.racekarteng.com/images/walbroparts.gif> and <http://www.muller.net/mullermachine/docs/walbro1.html>, 4 pages, at least as early as Jun. 20, 2003.

European Search Report, EPO Application No. 07250799.9, dated Jul. 5, 2007.

European Search Report, EPO Application No. 07252693.2, 14 pages, dated Apr. 28, 2008.

European Examination Report, EPO Application No. 07250799.9, dated Feb. 5, 2009.

International Search Report, Application No. PCT/US2010/028180, 2 pages, dated May 18, 2010.

International Search Report, PCT/US2010/060800, 2 pages, dated Feb. 11, 2011.

International Search Report, PCT/US2011/052795, 10 pages, dated Jan. 17, 2012.

Waterpik SinuSense Website: <http://www.insightsbyapril.com/2012/03/waterpik-natural-remedy-for-sinus.html>, 8 pages, retrieved on May 31, 2012.

Website: <https://www.waterpik.com/about-us/>, 3 pages.

\* cited by examiner

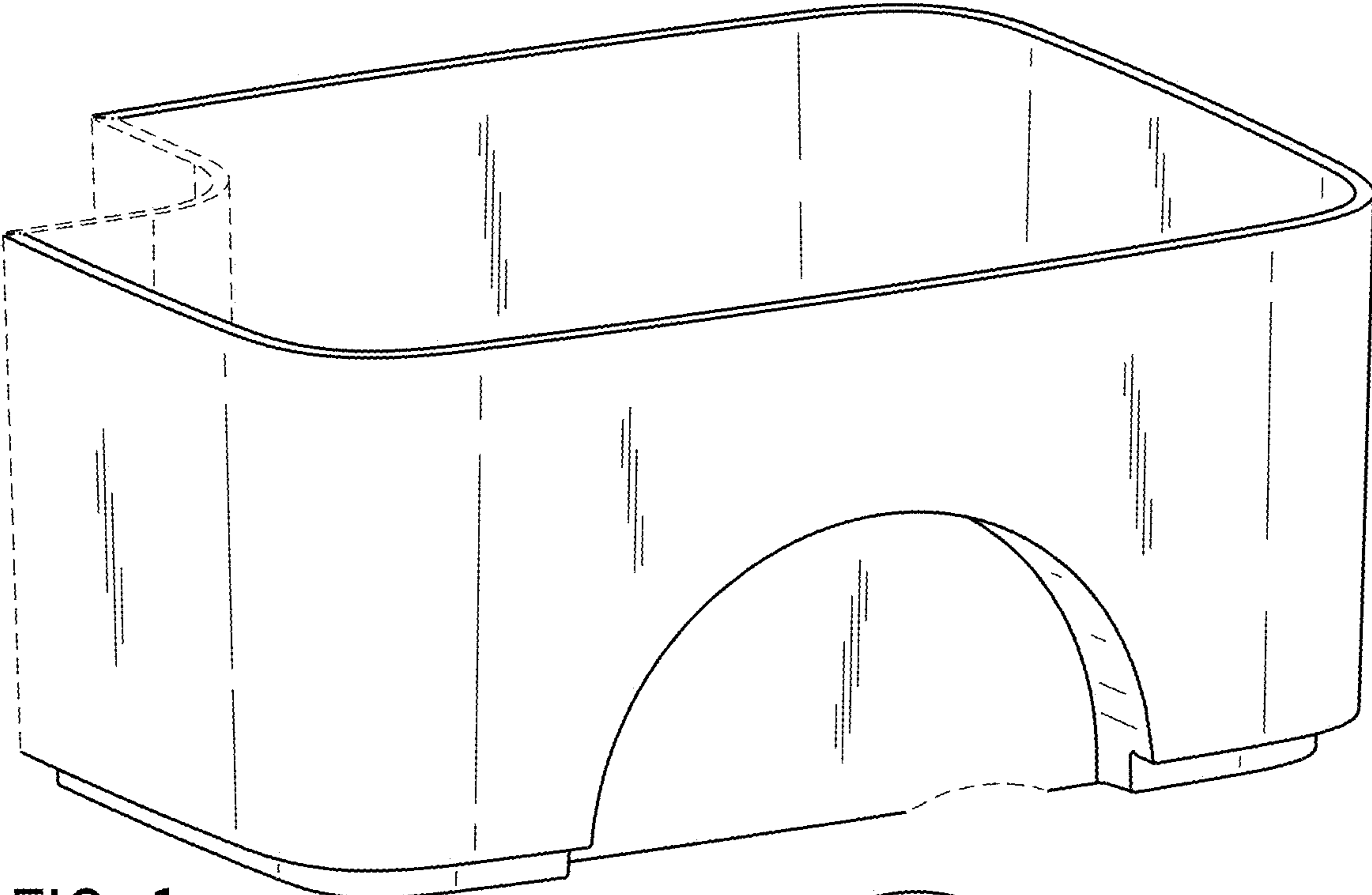


FIG. 1

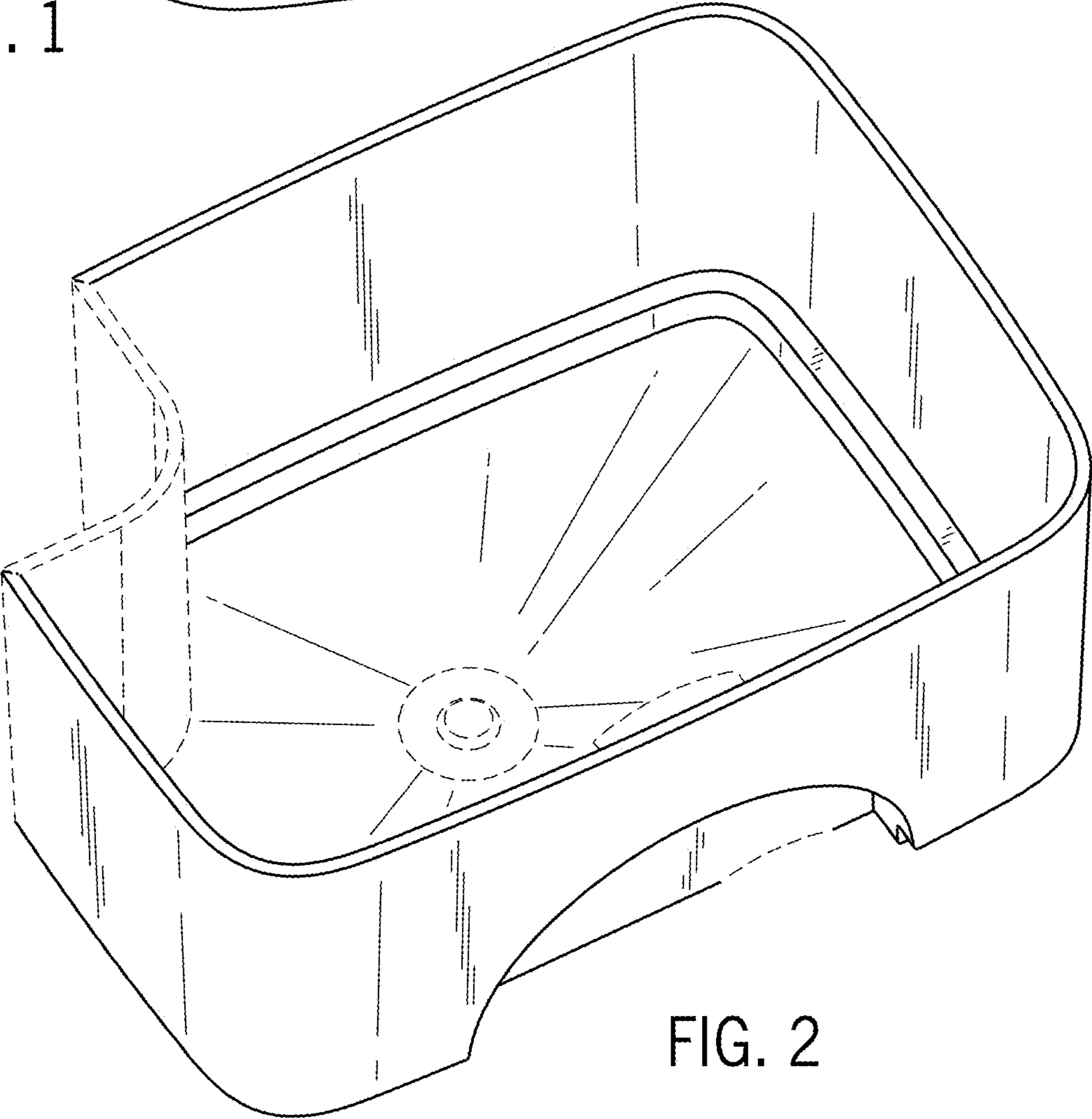


FIG. 2

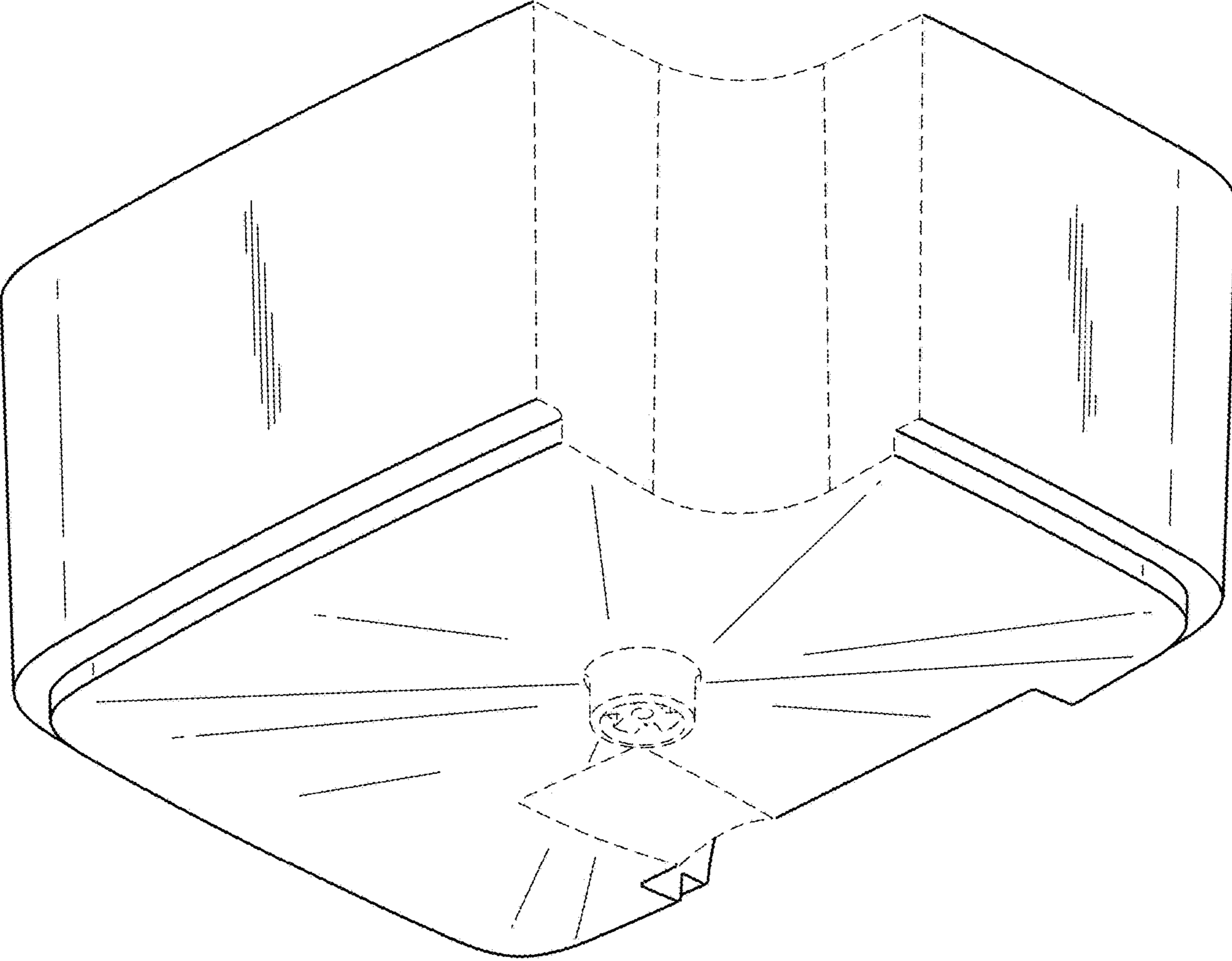


FIG. 3



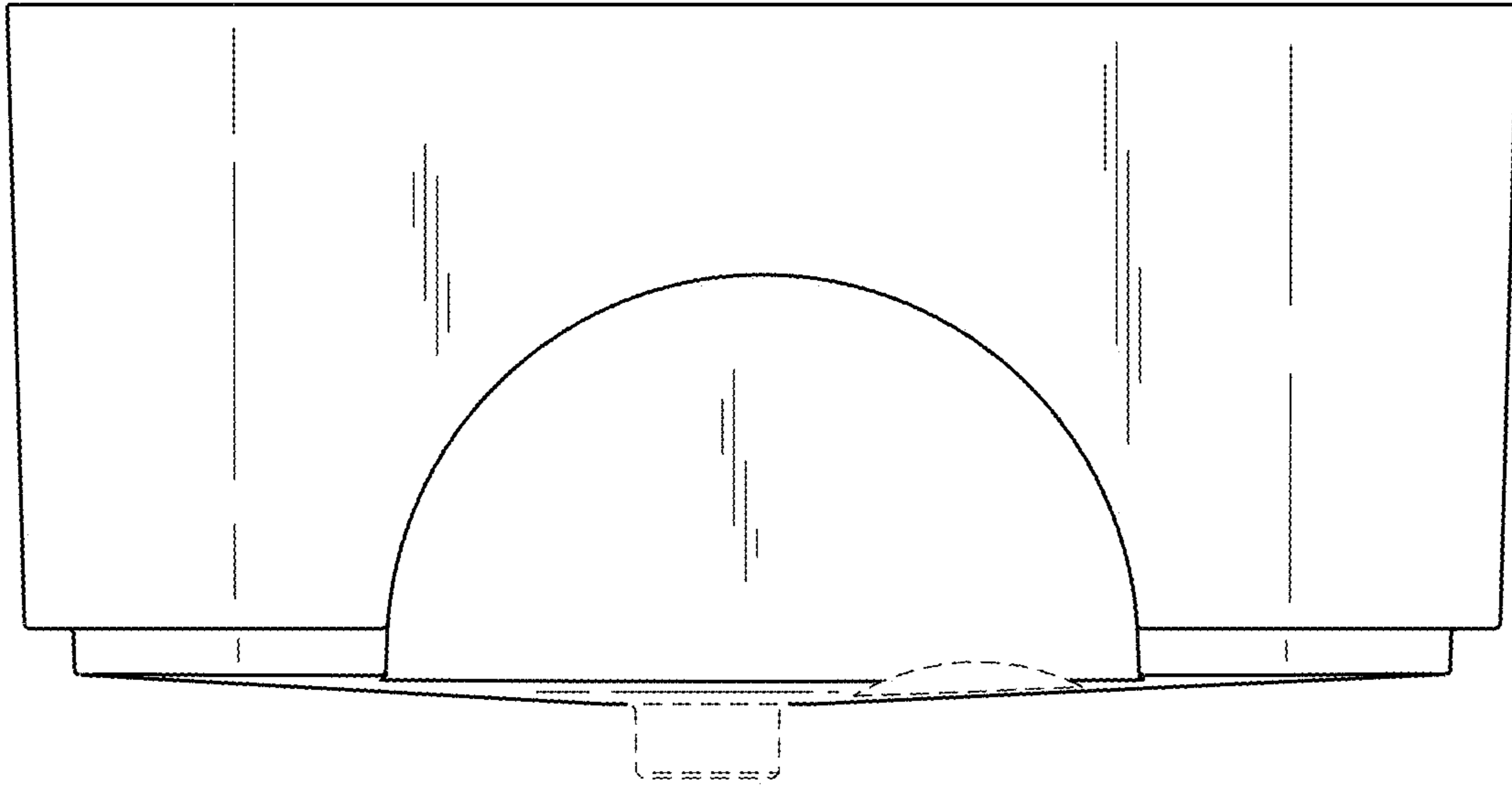


FIG. 4

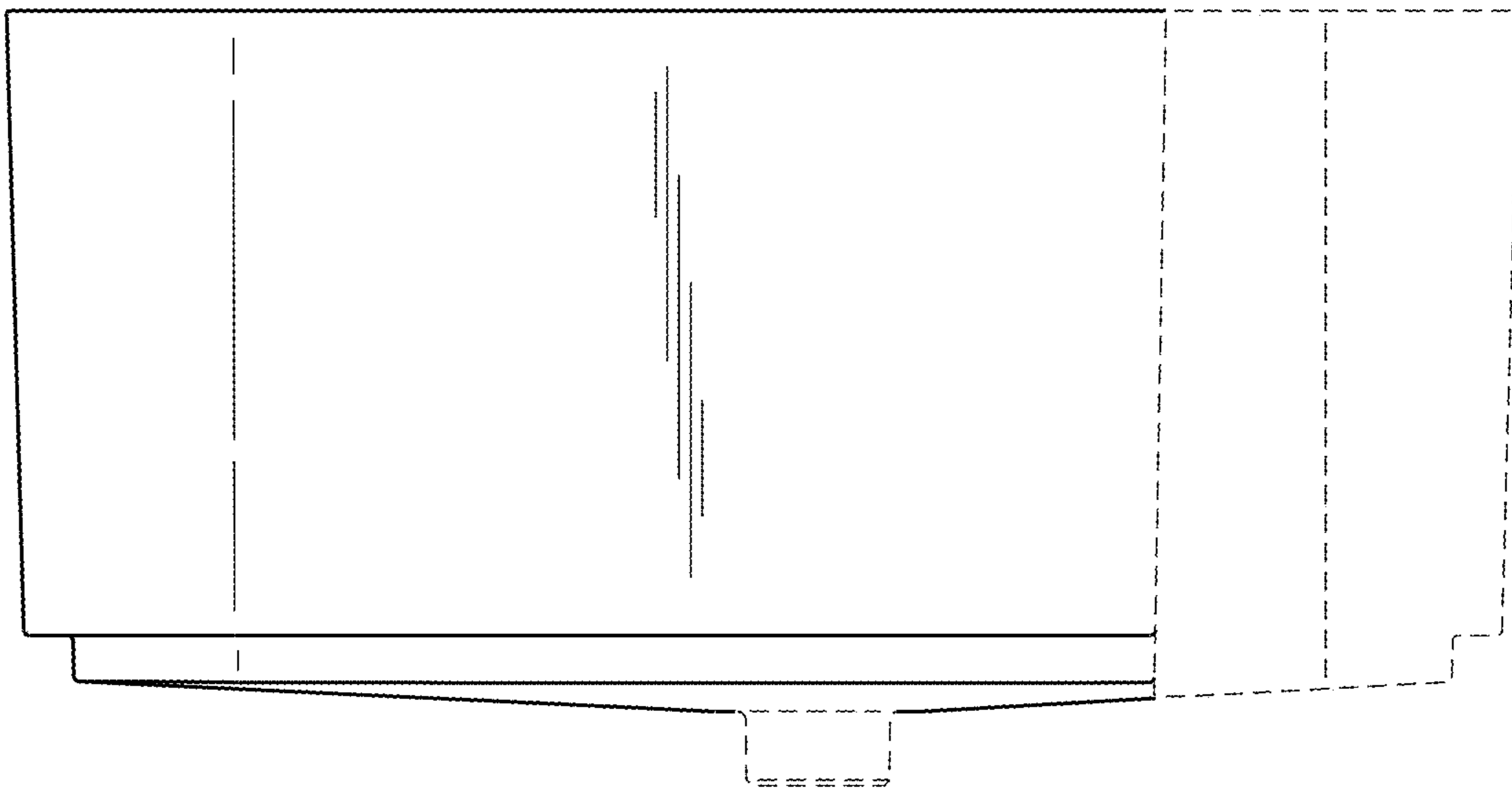


FIG. 5

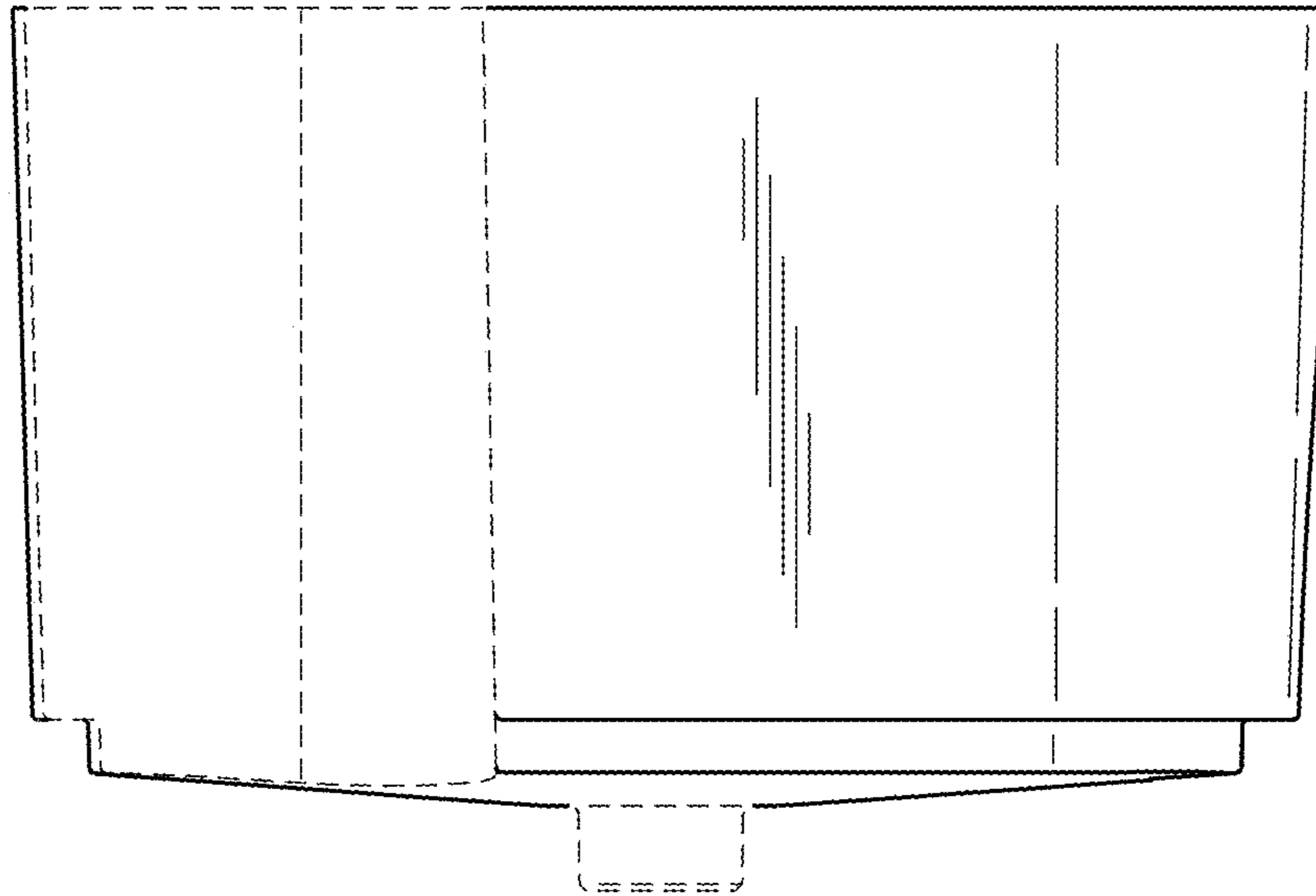


FIG. 6

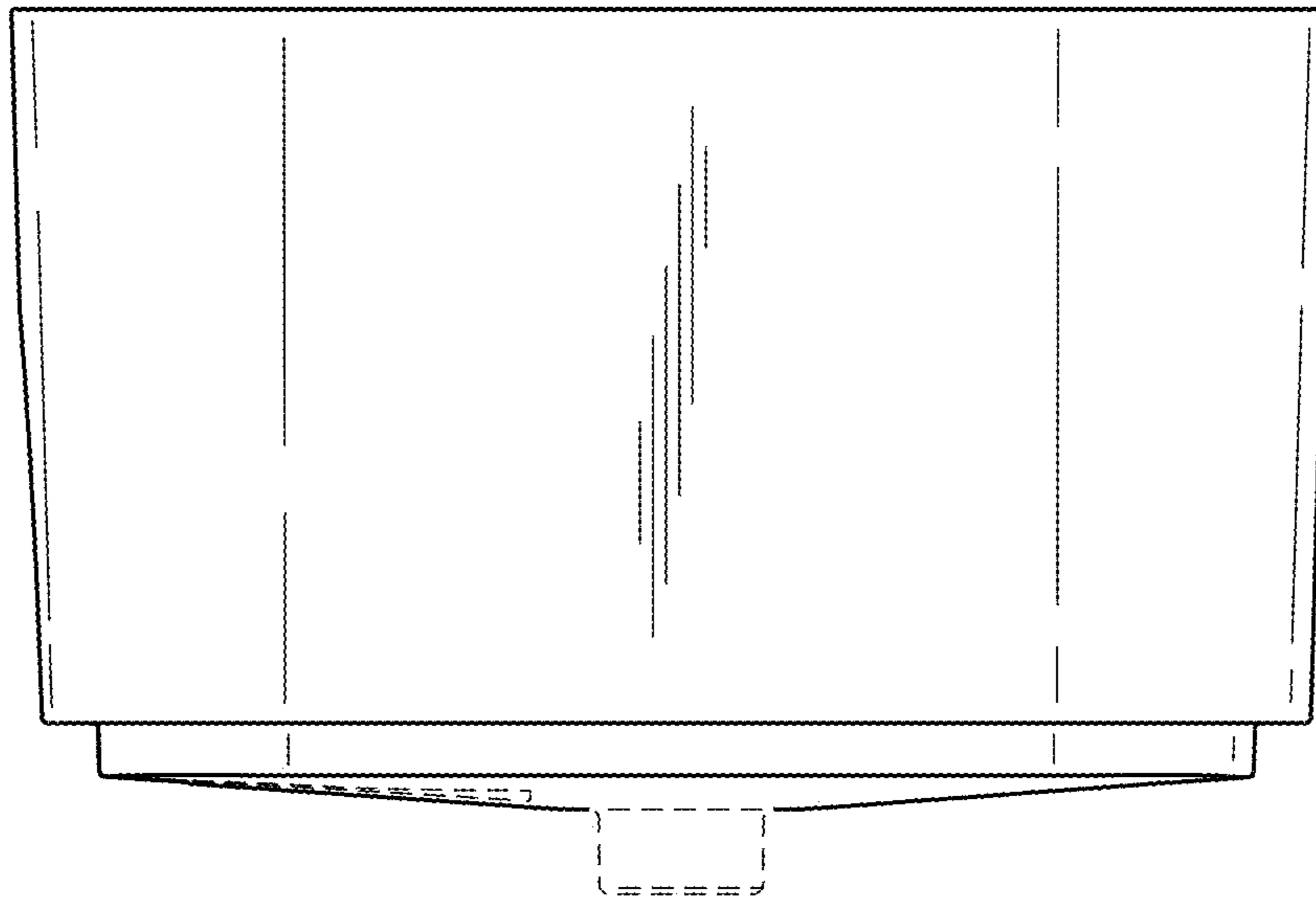


FIG. 7

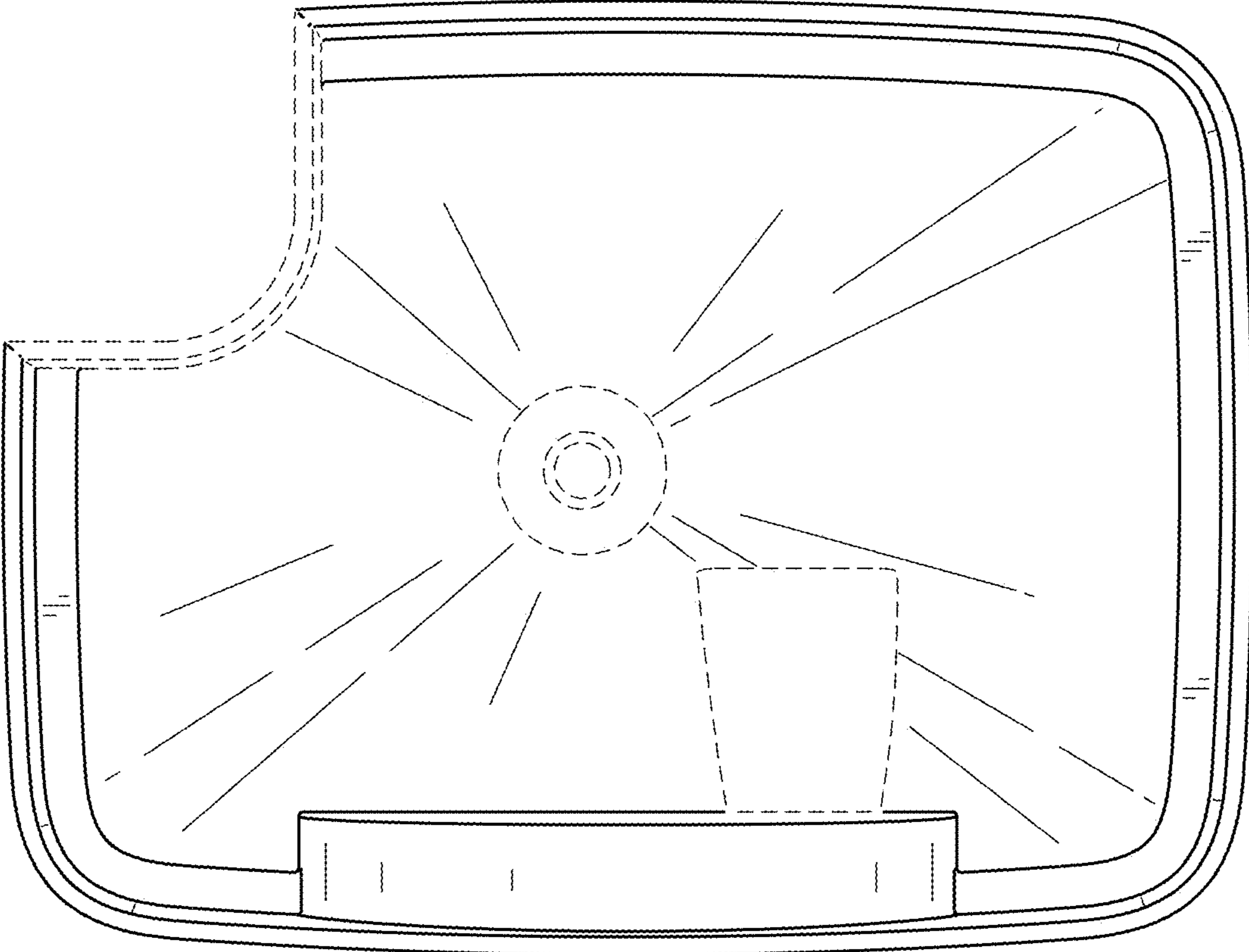


FIG. 8

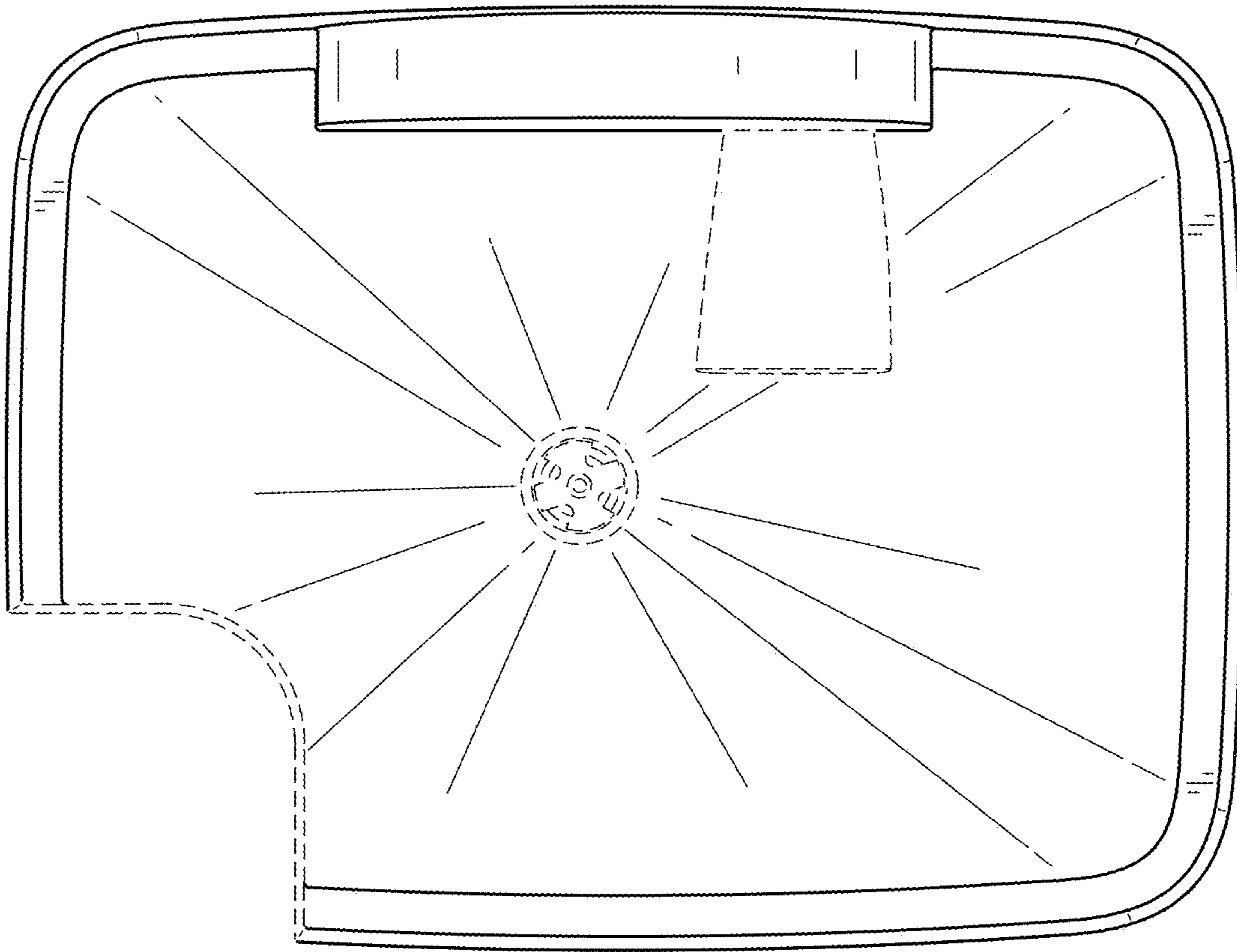


FIG. 9