



US00D956956S

(12) **United States Design Patent**  
**Eves et al.**

(10) **Patent No.:** **US D956,956 S**  
(45) **Date of Patent:** **\*\* Jul. 5, 2022**

(54) **SHROUD WITH UPPER STABILIZER ARMS FOR PATIENT INTERFACE**

5,662,101 A 9/1997 Ogden et al.  
5,884,624 A 3/1999 Barnett et al.  
6,651,663 B2 11/2003 Barnett et al.

(71) Applicant: **ResMed Pty Ltd**, Bella Vista (AU)

(Continued)

(72) Inventors: **Matthew Eves**, Sydney (AU); **Lemmy Nga**, Sydney (AU); **Gerard Michael Rummery**, Woodford (AU); **Rupert Christian Scheiner**, Sydney (AU); **Errol Savio Alex D'Souza**, Sydney (AU)

**OTHER PUBLICATIONS**

U.S. Appl. No. 29/663,680, filed Sep. 18, 2018 of Matthew Eves et al. for "Patient Interface and/or Components Thereof," (parent application).

(Continued)

(73) Assignee: **ResMed Pty Ltd**, Bella Vista (AU)

*Primary Examiner* — Sheryl Lane  
*Assistant Examiner* — Aula Soroush

(\*\*) Term: **15 Years**

(74) *Attorney, Agent, or Firm* — Nixon & Vanderhye P.C.

(21) Appl. No.: **29/738,219**

(22) Filed: **Jun. 16, 2020**

(57) **CLAIM**

**Related U.S. Application Data**

The ornamental design for a shroud with upper stabilizer arms for patient interface, as shown and described.

(62) Division of application No. 29/663,680, filed on Sep. 18, 2018, now Pat. No. Des. 891,610, which is a division of application No. 29/581,900, filed on Oct. 24, 2016, now Pat. No. Des. 895,105.

**DESCRIPTION**

(51) **LOC (13) Cl.** ..... **29-02**

(52) **U.S. Cl.**  
USPC ..... **D24/110.4**

(58) **Field of Classification Search**  
USPC ..... D24/110-110.6, 127, 129; D29/110  
CPC ..... A61M 16/0616; A61M 16/0633; A61M 16/06; A61M 16/0666; A61M 16/0683; A61M 16/0605; A61M 16/0622; A61M 16/0644; A61M 16/0875; A61M 16/0816; A61M 16/08; B63C 11/205; B63C 11/16; B63C 11/186; B63C 11/12

FIG. 1 is a front perspective view of a shroud with upper stabilizer arms for patient interface showing an embodiment of our new design;  
FIG. 2 is a front view thereof;  
FIG. 3 is a rear view thereof;  
FIG. 4 is a top view thereof;  
FIG. 5 is a bottom view thereof;  
FIG. 6 is a left side view thereof;  
FIG. 7 is a right side view thereof;  
FIG. 8 is reverse perspective view thereof; and,  
FIG. 9 is an exploded view thereof within the unclaimed environment of a cushion module and an elbow.  
The broken lines in the drawings depict portions of the patent interface that form no part of the claimed design.  
The broken lines in the drawings depict the border between the claimed subject matter and form no part of the claimed design.

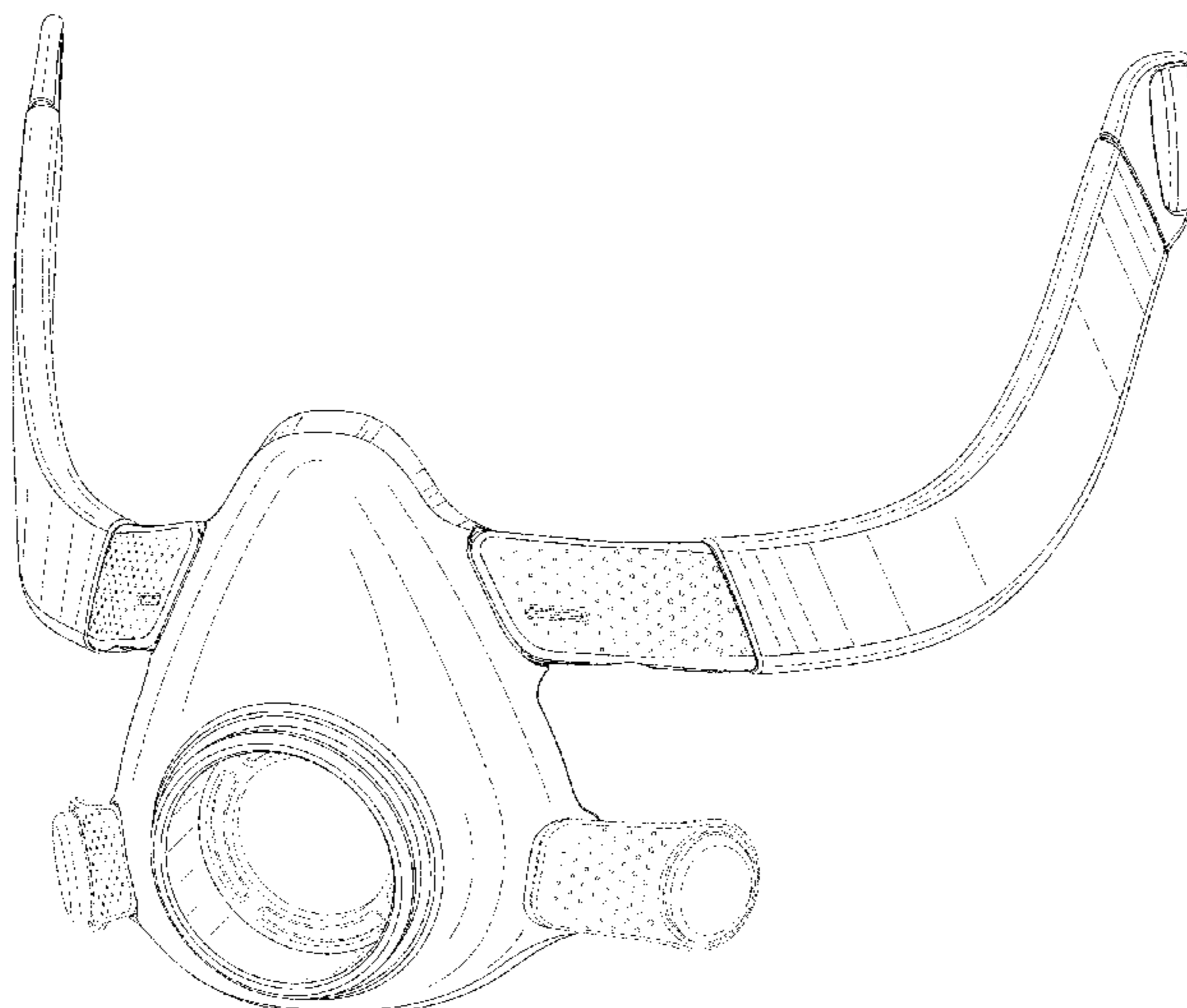
See application file for complete search history.

(56) **References Cited**

**U.S. PATENT DOCUMENTS**

5,647,356 A 7/1997 Barnett et al.  
5,647,357 A 7/1997 Barnett et al.

**1 Claim, 9 Drawing Sheets**



(56)

References Cited

U.S. PATENT DOCUMENTS

6,729,333 B2 5/2004 Barnett et al.  
 D493,885 S 8/2004 Raje  
 6,959,710 B2 11/2005 Barnett et al.  
 7,210,481 B1 5/2007 Lovell et al.  
 7,703,457 B2 4/2010 Barnett et al.  
 D619,701 S 7/2010 Edwards  
 D635,247 S 3/2011 Scheiner et al.  
 D665,494 S 8/2012 Stallard  
 D679,799 S 4/2013 D'Souza et al.  
 D693,460 S 11/2013 Rothermel  
 D693,462 S 11/2013 Rothermel  
 D694,875 S 12/2013 D'Souza  
 D695,887 S 12/2013 Ozolins  
 D700,697 S 3/2014 Ho  
 D703,807 S 4/2014 Chu  
 D707,349 S 6/2014 D'Souza  
 D717,942 S 11/2014 Neff  
 9,119,931 B2 9/2015 D'Souza et al.  
 D751,188 S 3/2016 Skipper  
 RE45,985 E 4/2016 McAuley  
 D754,328 S 4/2016 Bowsher  
 D760,379 S 6/2016 Smith et al.  
 D767,755 S 9/2016 D'Souza  
 D769,440 S 10/2016 Amarasinghe  
 9,757,533 B2 9/2017 Ng et al.  
 D809,131 S 1/2018 Law  
 D843,560 S \* 3/2019 D'Souza ..... D24/110.4  
 D884,152 S 5/2020 Law et al.  
 D891,610 S 7/2020 Eves et al.  
 D895,105 S 9/2020 Eves et al.  
 2005/0172969 A1 \* 8/2005 Ging ..... A61M 16/06  
 128/206.24  
 2006/0042629 A1 3/2006 Geist  
 2007/0277828 A1 \* 12/2007 Ho ..... A61M 16/08  
 128/206.21  
 2008/0047561 A1 \* 2/2008 Fu ..... A61M 16/08  
 128/207.12  
 2008/0066757 A1 \* 3/2008 Stallard ..... A61M 16/06  
 128/205.25  
 2008/0257354 A1 \* 10/2008 Davidson ..... A61M 16/06  
 128/206.24  
 2008/0314390 A1 \* 12/2008 Kwok ..... A61M 16/0683  
 128/207.11

2010/0051034 A1 3/2010 Howard  
 2011/0146684 A1 \* 6/2011 Wells ..... A61M 16/06  
 128/205.25  
 2012/0204879 A1 \* 8/2012 Cariola ..... A61M 16/06  
 128/206.24  
 2012/0204881 A1 \* 8/2012 Davidson ..... A61M 16/06  
 128/206.25  
 2012/0222680 A1 \* 9/2012 Eves ..... A61M 16/0683  
 128/206.24  
 2013/0324788 A1 \* 12/2013 Holley ..... A61B 5/087  
 600/28  
 2013/0327336 A1 \* 12/2013 Burnham ..... A61M 16/06  
 128/206.21  
 2014/0026888 A1 \* 1/2014 Matula, Jr. .... A61M 16/06  
 128/205.25  
 2014/0083429 A1 \* 3/2014 Rothermel ..... A61M 16/06  
 128/205.25  
 2014/0150800 A1 \* 6/2014 Zeijlstra ..... A61M 16/0683  
 128/207.11  
 2014/0216462 A1 \* 8/2014 Law ..... A61M 16/0616  
 128/205.25  
 2014/0261427 A1 \* 9/2014 Foote ..... A61M 16/0069  
 128/204.23  
 2014/0261435 A1 \* 9/2014 Rothermel ..... A61M 16/06  
 128/205.25  
 2014/0290663 A1 \* 10/2014 Rothermel ..... A61M 16/06  
 128/206.24  
 2014/0311496 A1 \* 10/2014 Rothermel ..... A61M 16/06  
 128/206.24  
 2015/0000671 A1 \* 1/2015 Frerichs ..... A61M 16/0683  
 128/206.21  
 2016/0082214 A1 3/2016 Barlow et al.  
 2016/0325067 A1 \* 11/2016 Harwood ..... A61M 16/0875  
 2017/0368288 A1 12/2017 Stephens  
 2017/0368289 A1 12/2017 Baiko  
 2018/0021536 A1 1/2018 Ng

OTHER PUBLICATIONS

U.S. Appl. No. 29/581,900, filed Oct. 24, 2016 of Matthew Eves et al. for "Patient Interface and/or Components Thereof," (parent application).  
 U.S. Appl. No. 62/969,747, filed Feb. 4, 2020 of Tumul Gupta et al, entitled "Plenum Chamber Insert for Patient Interface," 301 pages.

\* cited by examiner

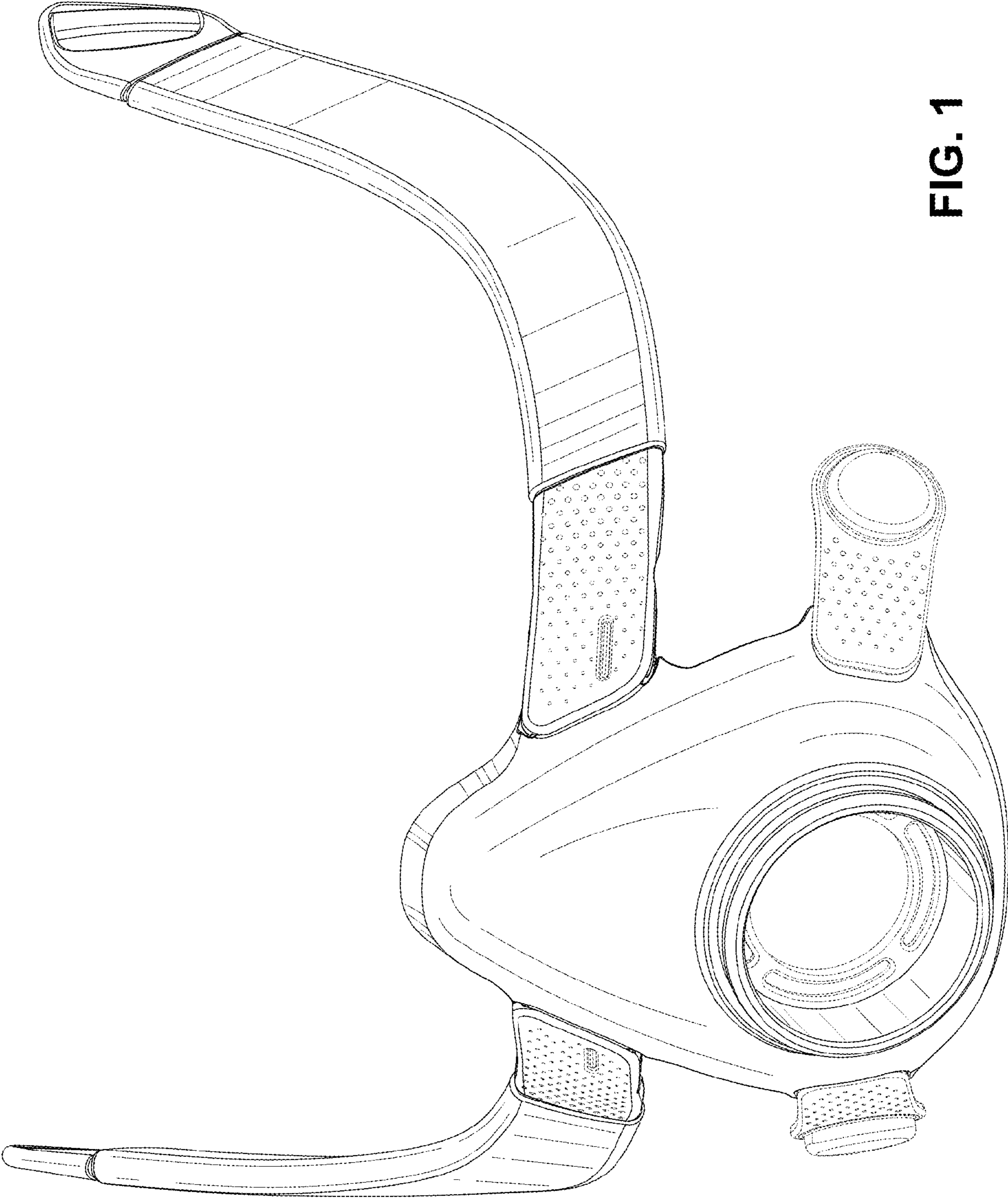


FIG. 1



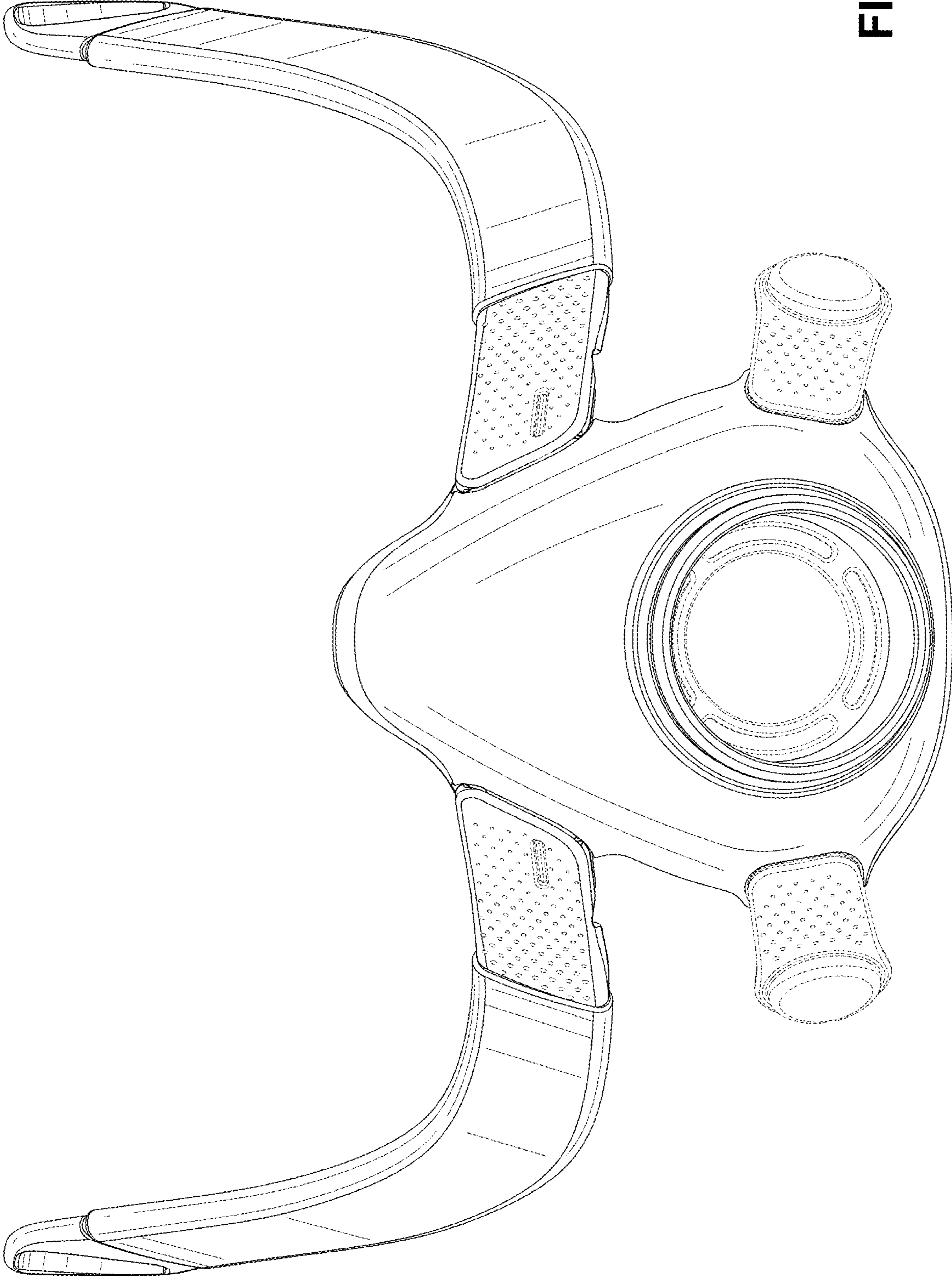


FIG. 2

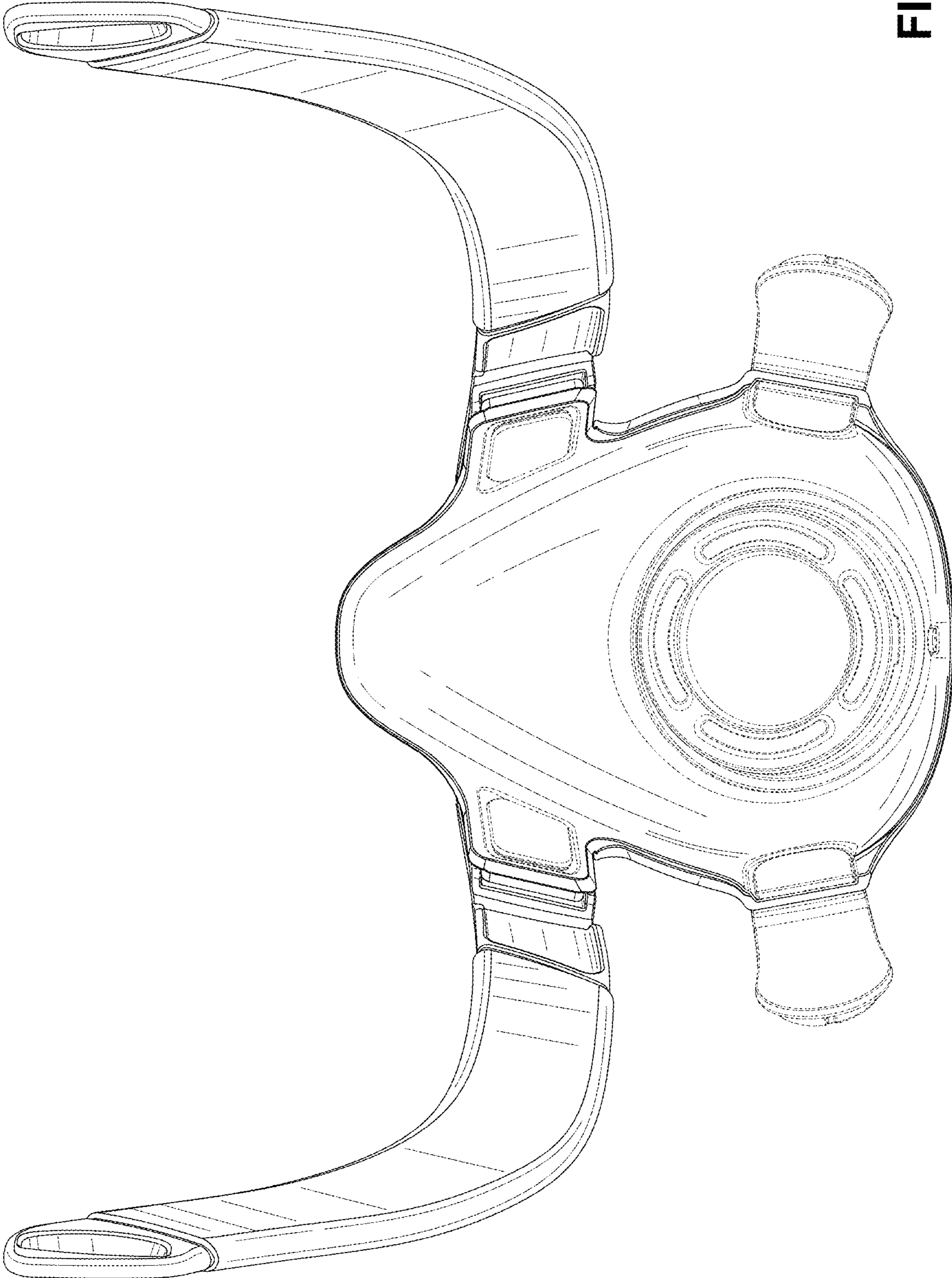


FIG. 3

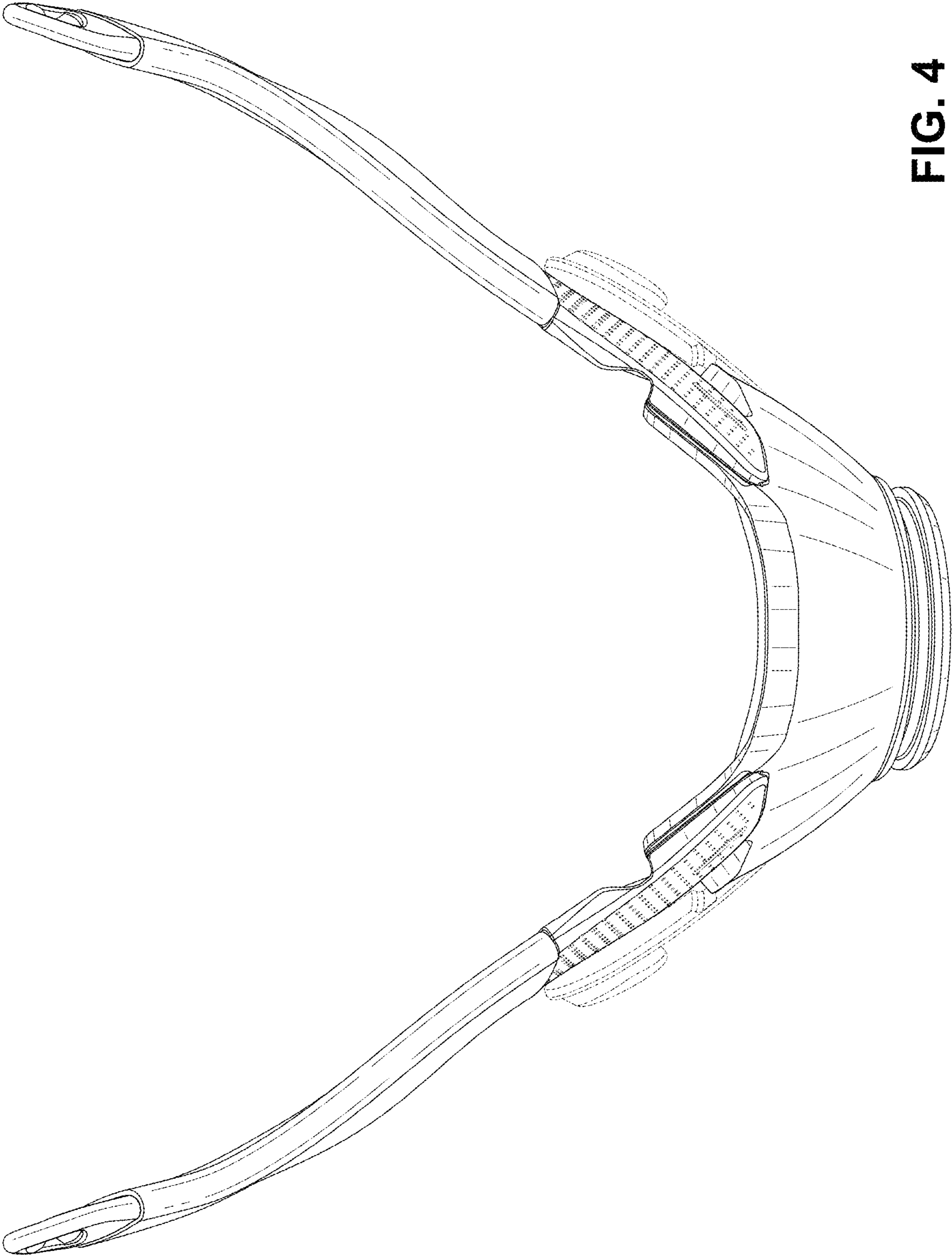


FIG. 4

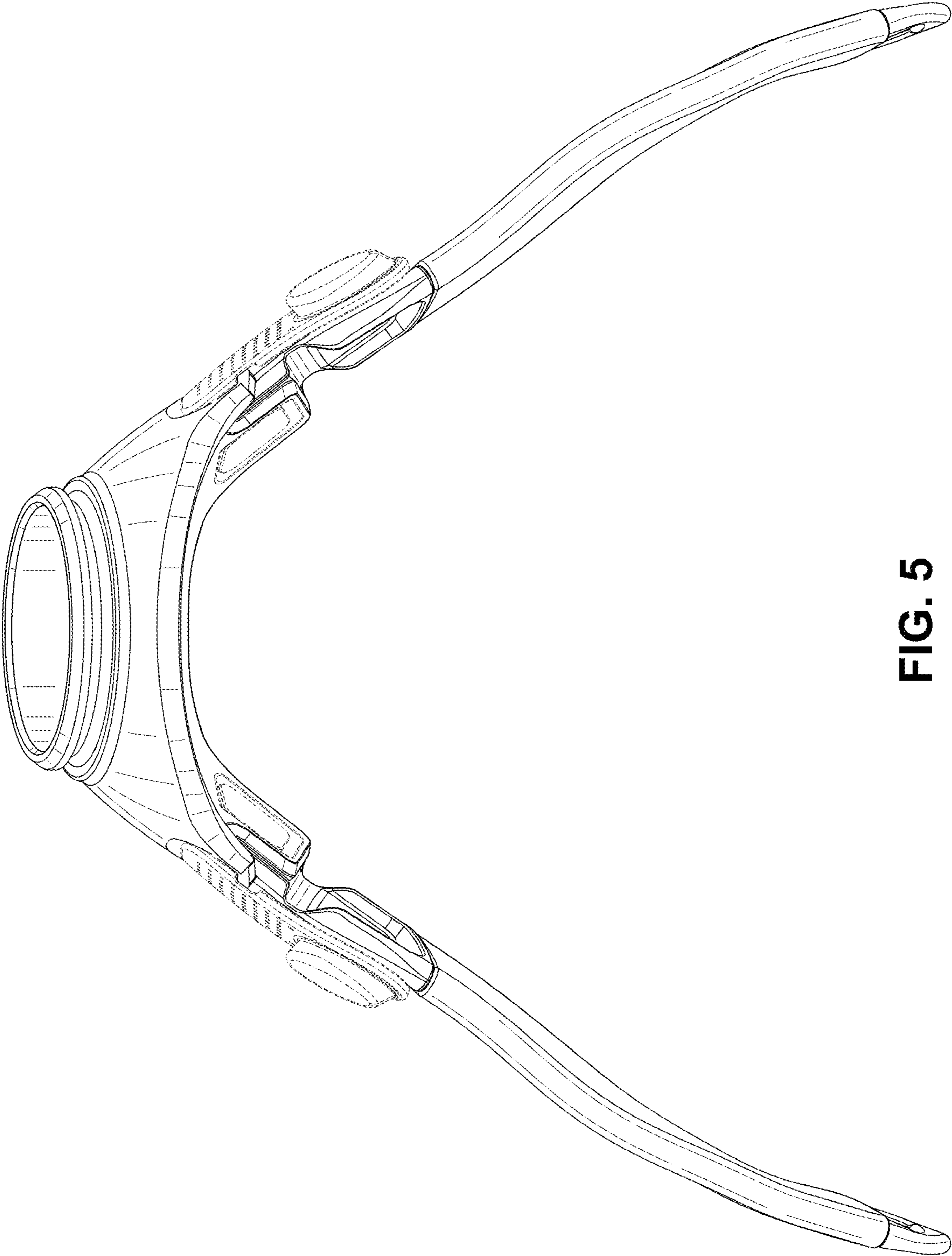


FIG. 5



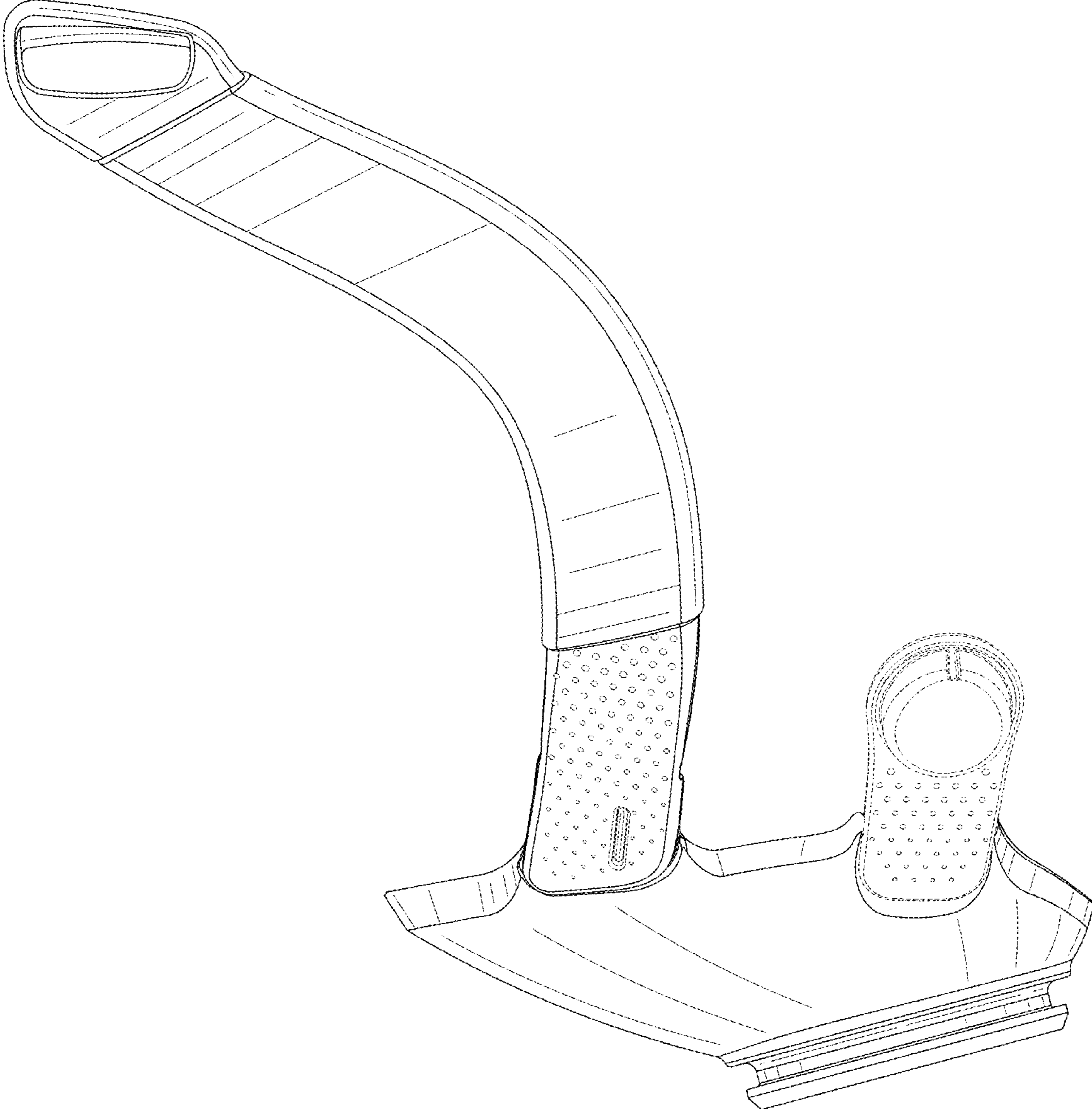


FIG. 6



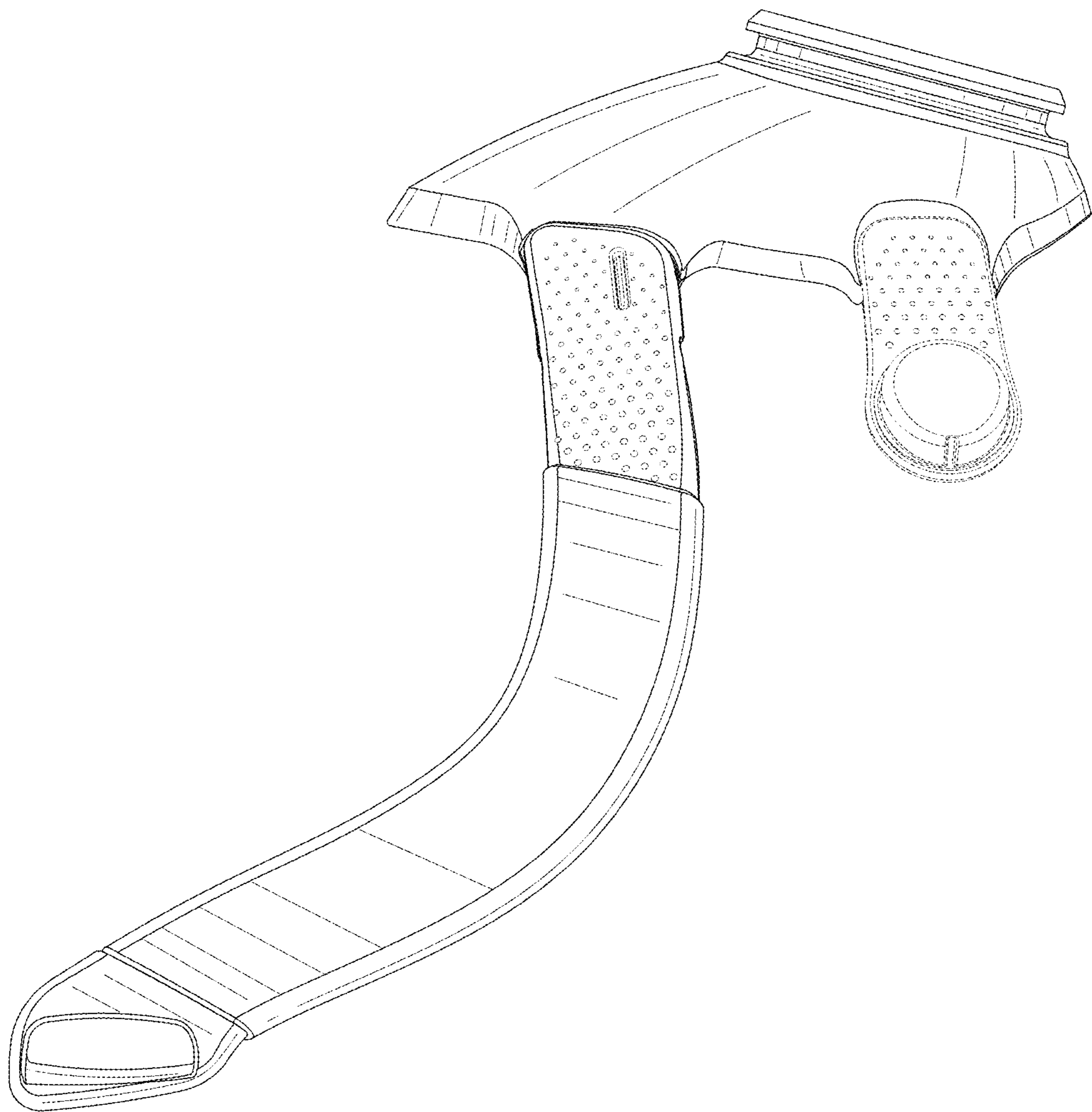


FIG. 7

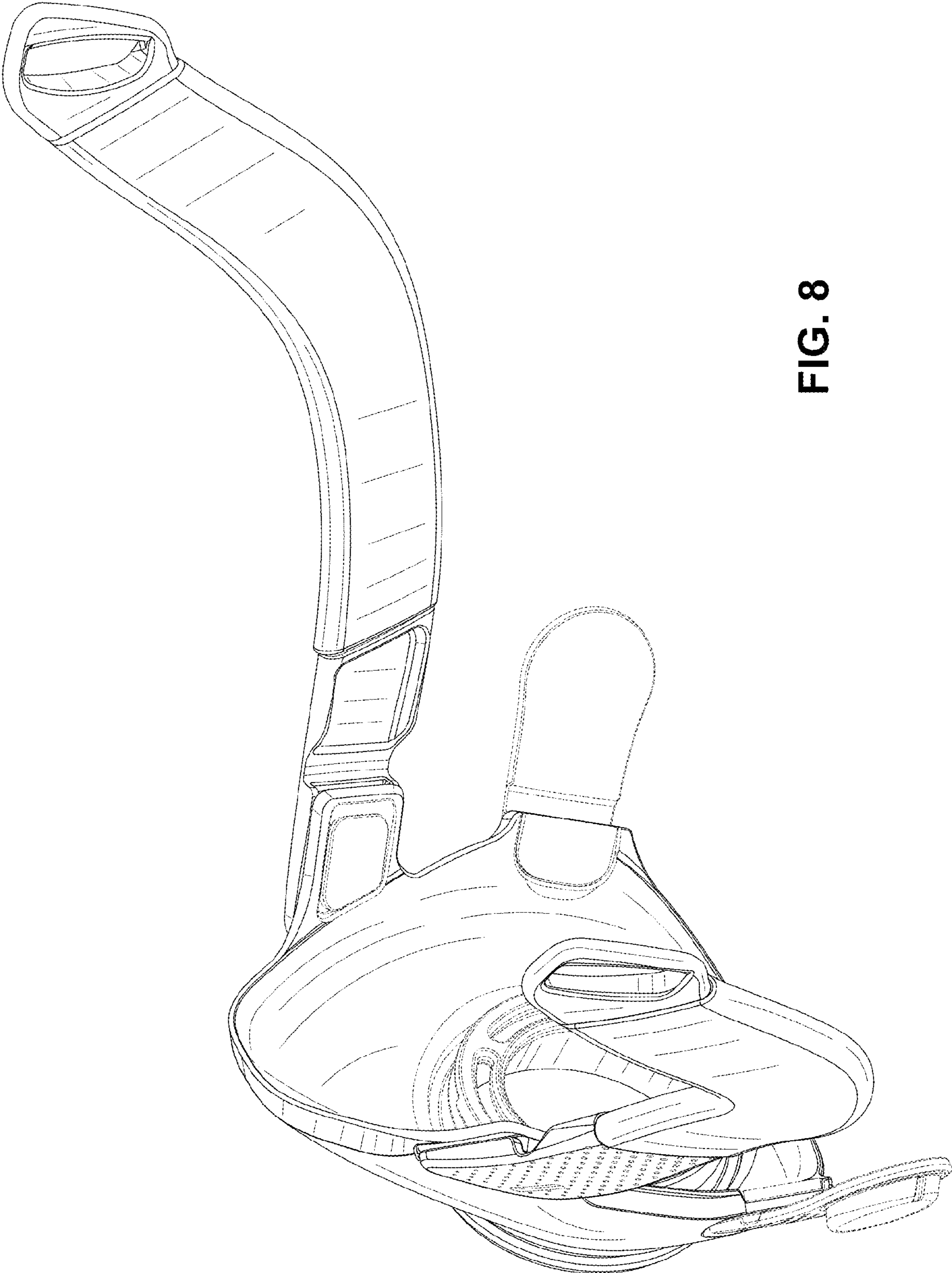


FIG. 8

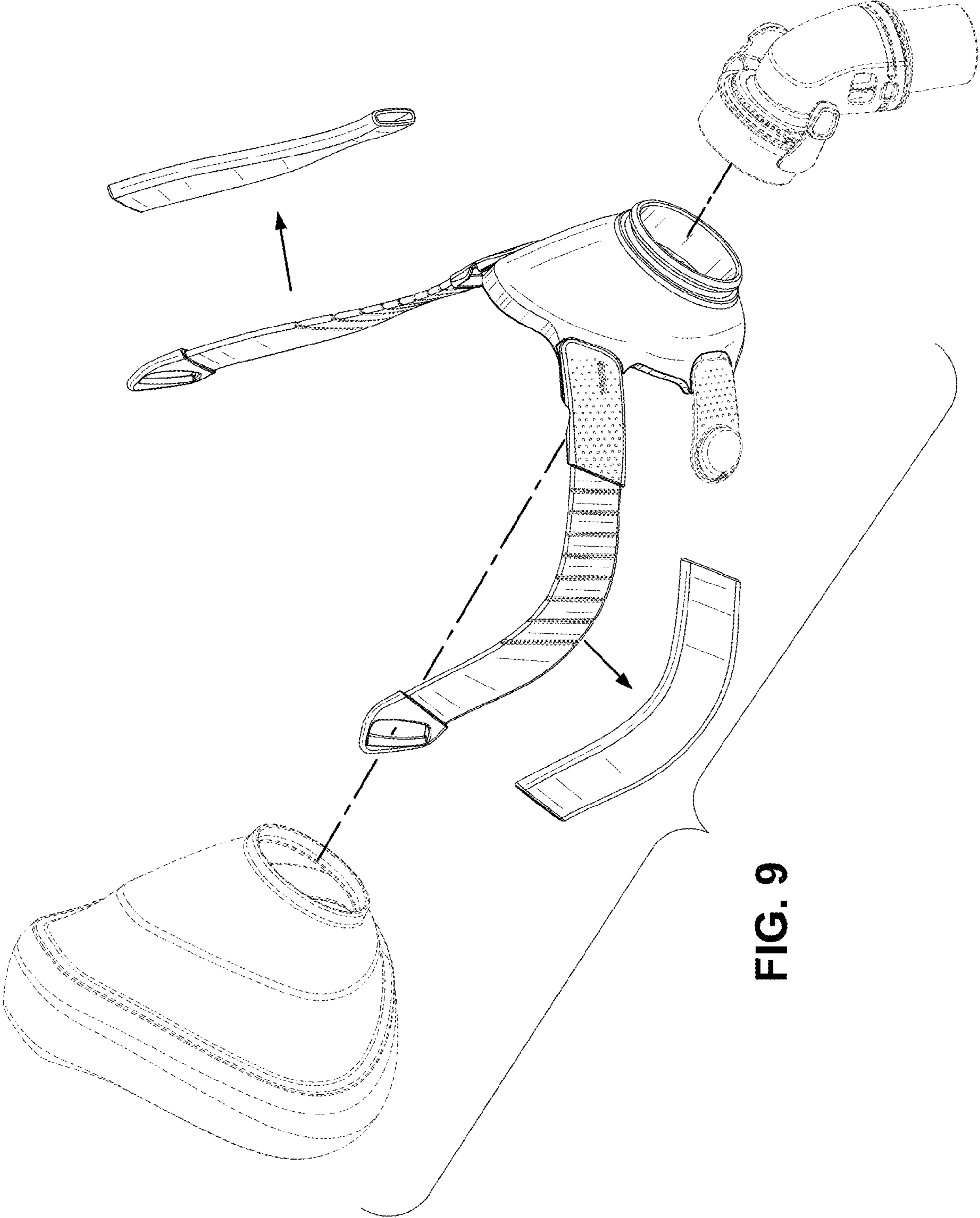


FIG. 9