



US00D956954S

(12) **United States Design Patent** (10) **Patent No.:** **US D956,954 S**
Yoon (45) **Date of Patent:** **** Jul. 5, 2022**

(54) **STRAP ASSEMBLY FOR A FACEMASK**

FOREIGN PATENT DOCUMENTS

(71) Applicant: **Jung Rok Yoon**, Seoul (KR)
(72) Inventor: **Jung Rok Yoon**, Seoul (KR)
(**) Term: **15 Years**

CN	307075166	*	1/2021
CN	306415835	*	3/2021
CN	307103299	*	2/2022
EM	008368021-0002	*	1/2021
JP	D1704544	*	1/2022

(21) Appl. No.: **29/741,251**

OTHER PUBLICATIONS

(22) Filed: **Jul. 10, 2020**

Romper (available [online] Jul. 31, 2020) Retrieved from the internet Mar. 23, 2022 from URL: <https://www.romper.com/p/11-adjustable-face-masks-for-the-whole-family-that-wont-fall-off-all-the-time-30254390> (Year: 2020).*

(51) **LOC (13) Cl.** **29-02**

(52) **U.S. Cl.**
USPC **D24/110.1; D29/108**

(Continued)

(58) **Field of Classification Search**

USPC D24/110, 110.1–110.6; D29/108
CPC . A41D 13/11; A41D 13/1107; A41D 13/1115;
A41D 13/1123; A41D 13/113; A41D
13/1138; A41D 13/1146; A41D 13/1153;
A41D 13/1161; A41D 13/1169; A41D
13/1176; A61M 16/06; A62B 18/00;
A62B 18/02; A62B 18/025; A62B 23/00

Primary Examiner — Richard Kearney
Assistant Examiner — Michael Hoffman

(74) *Attorney, Agent, or Firm* — Acuity IP, LLC; Nathan S. Cassell

See application file for complete search history.

(57) **CLAIM**

The ornamental design for a strap assembly for a facemask, as shown and described.

(56) **References Cited**

DESCRIPTION

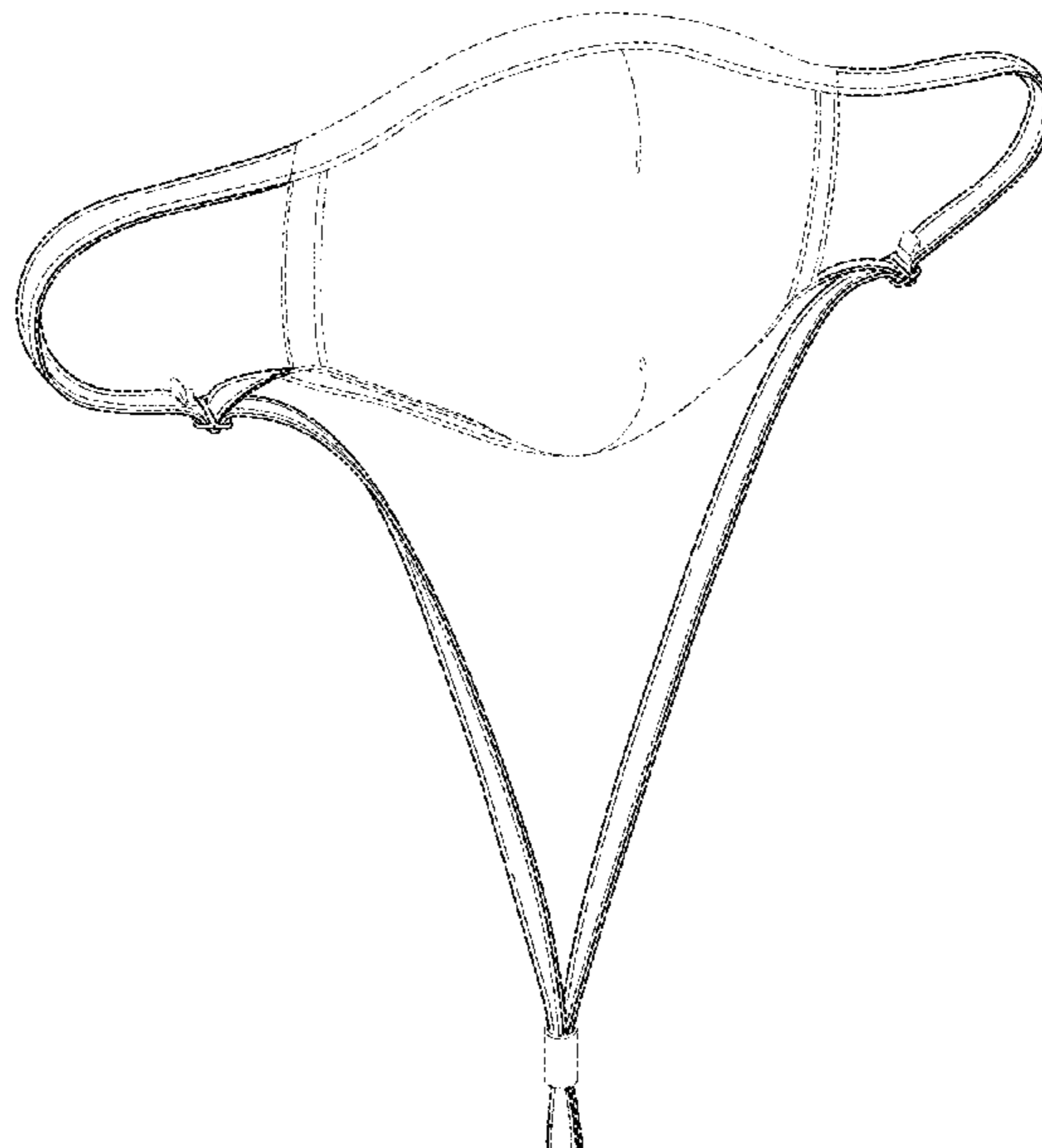
U.S. PATENT DOCUMENTS

D270,110 S *	8/1983	Moore	128/201.15
D759,718 S *	6/2016	Adler	D14/492
D822,195 S *	7/2018	Kwong	D24/110.1
D885,559 S *	5/2020	Gabriel	D29/108
D912,801 S *	3/2021	Mills	D24/110.1
D928,304 S *	8/2021	Yu	D24/110.1
2010/0031962 A1 *	2/2010	Chiu	A41D 13/1161 128/206.19
2020/0305520 A1 *	10/2020	Belk	A41D 13/1161
2021/0153575 A1 *	5/2021	Hong	A41D 13/1161
2021/0322801 A1 *	10/2021	Smith, IV	B01D 39/086
2021/0345713 A1 *	11/2021	Yates	A41D 13/11
2022/0015469 A1 *	1/2022	Markarian	A41D 13/1161
2022/0023828 A1 *	1/2022	Qian	B01D 46/0032

FIG. 1 is a front perspective view of a strap assembly for a facemask showing my new design;
FIG. 2 is a front elevational view thereof;
FIG. 3 is a rear elevational view thereof;
FIG. 4 is a right side elevational view thereof;
FIG. 5 is a left side elevational view thereof;
FIG. 6 is a top plan view thereof; and,
FIG. 7 is a bottom plan view thereof.

The uneven-length broken lines depict environmental structure and form no part of the claimed design. The even-length broken lines represent stitching and form no part of the claimed design.

1 Claim, 7 Drawing Sheets



(56)

References Cited

OTHER PUBLICATIONS

Joahlove Grape (available [online]) Retrieved from the internet Mar. 23, 2022 from URL: <https://www.joahlove.com/products/grape-tie-dye-grape-tie-dye-infinity> (Year: 2022).*

Copper Fit (available [online] Dec. 9, 2020) Retrieved from the internet Mar. 23, 2022 from URL: <https://www.amazon.com/Copper-Fit-Unisex-Never-Masks/dp/B08Q3DKK4D/> (Year: 2020).*

* cited by examiner

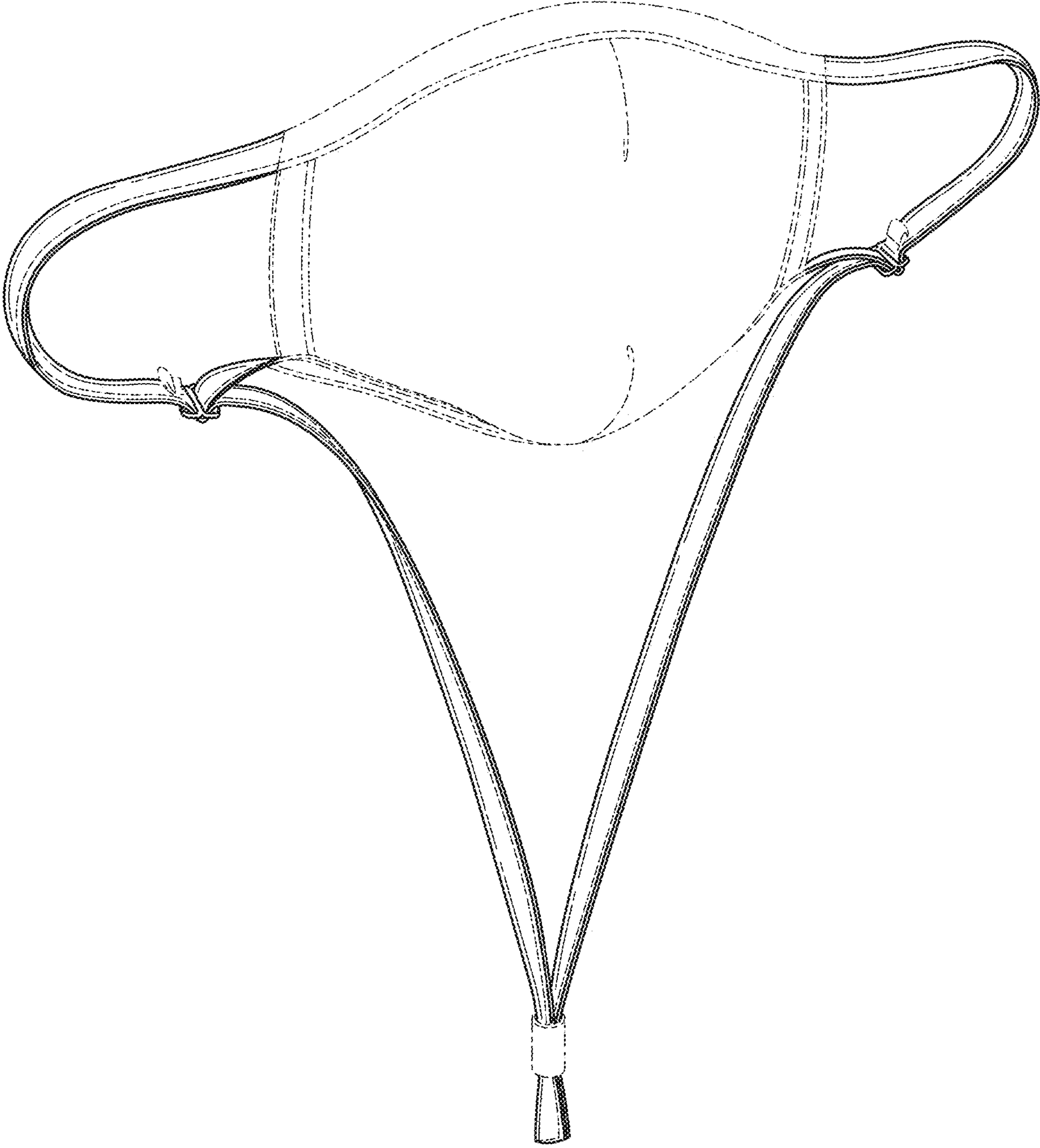


FIG. 1

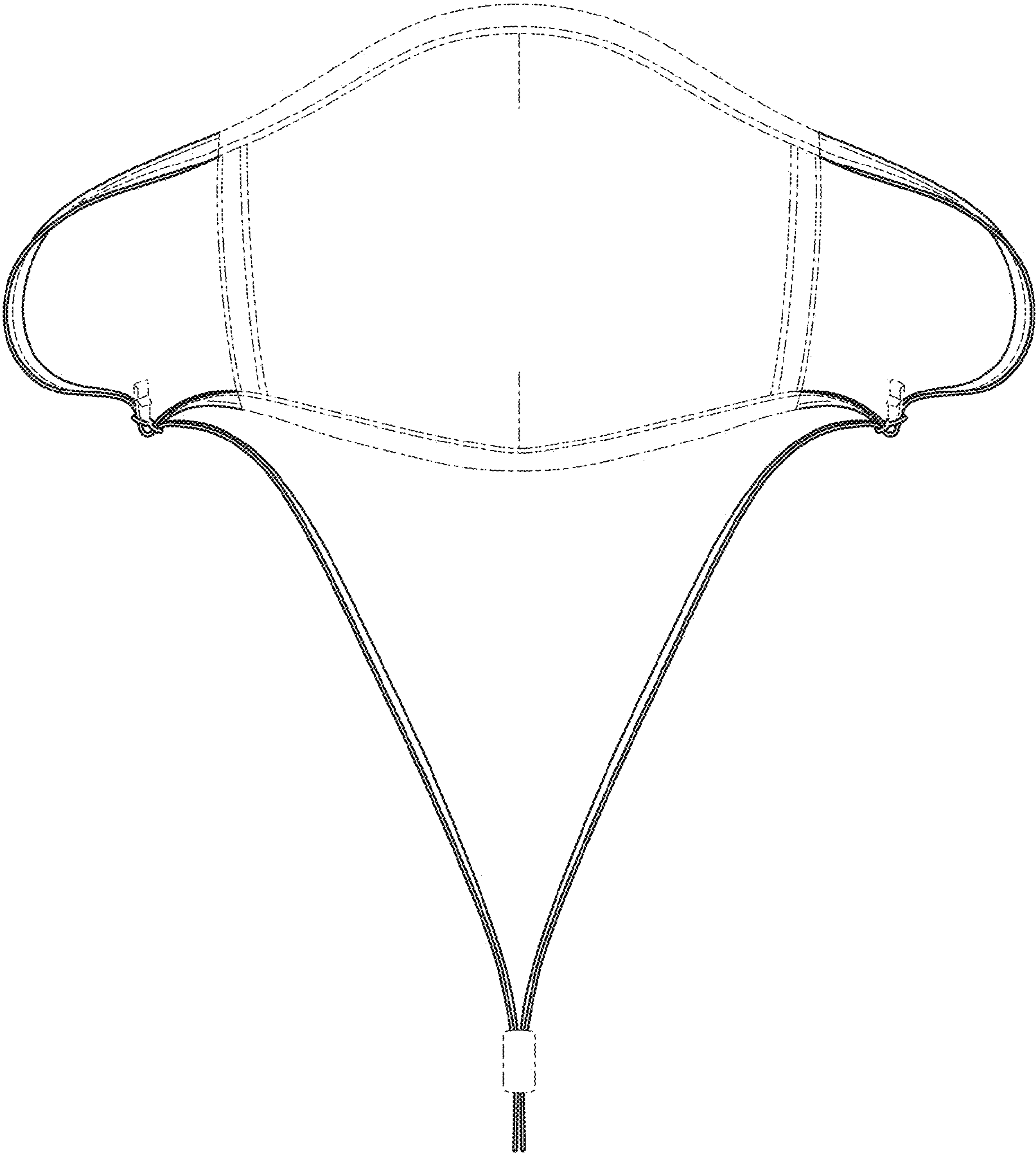


FIG. 2

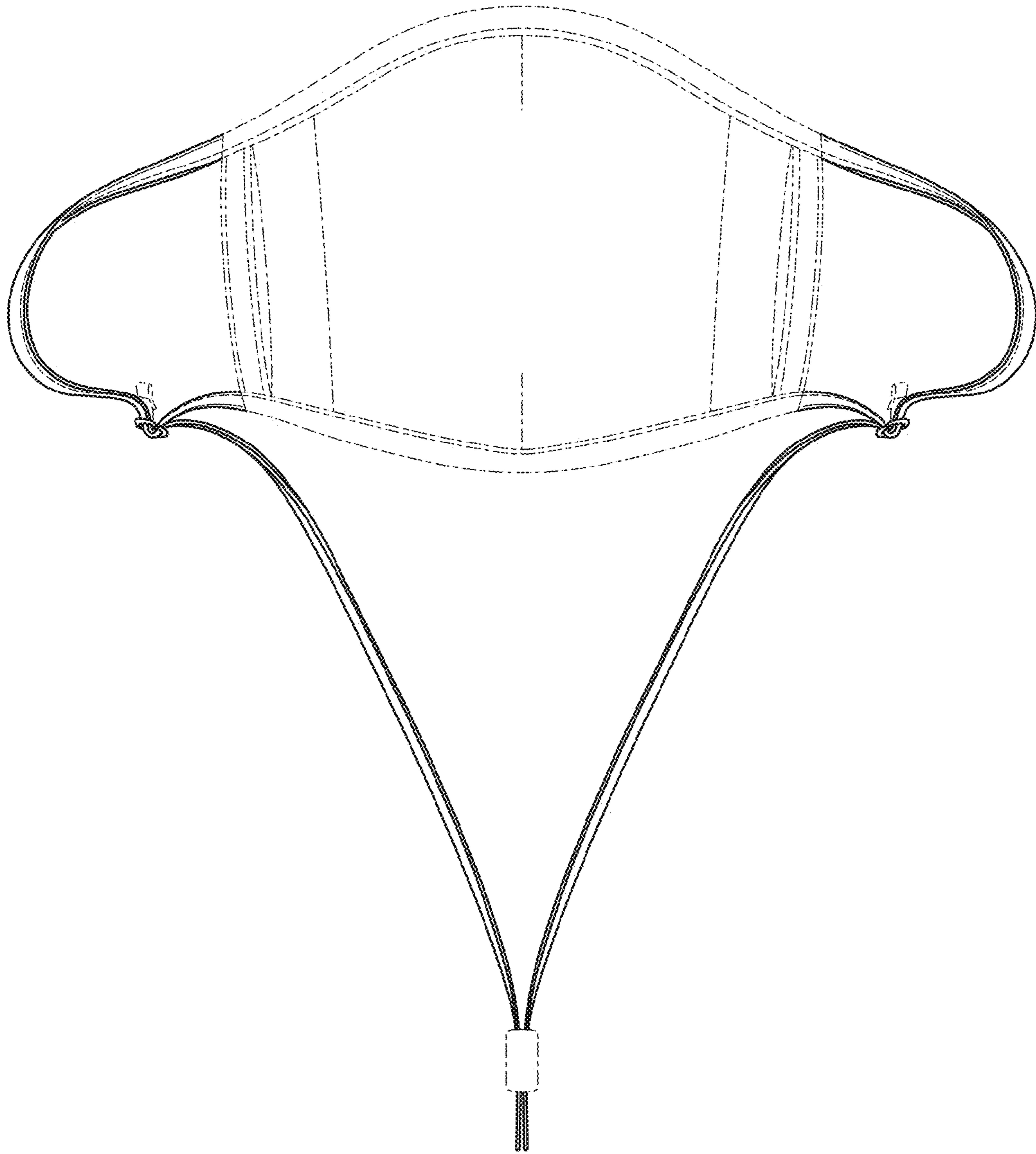


FIG. 3

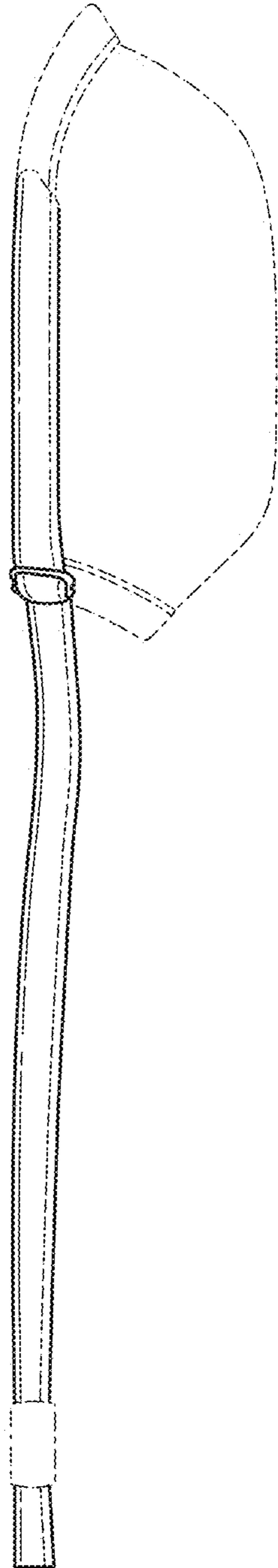


FIG. 4

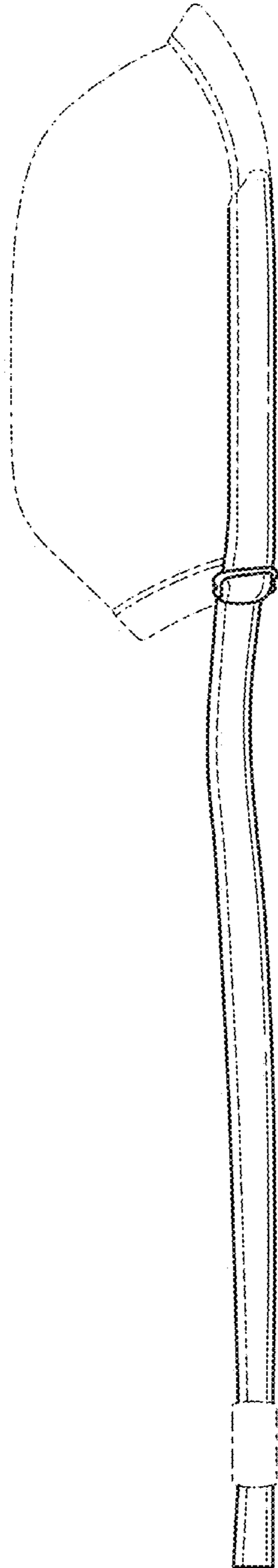


FIG. 5

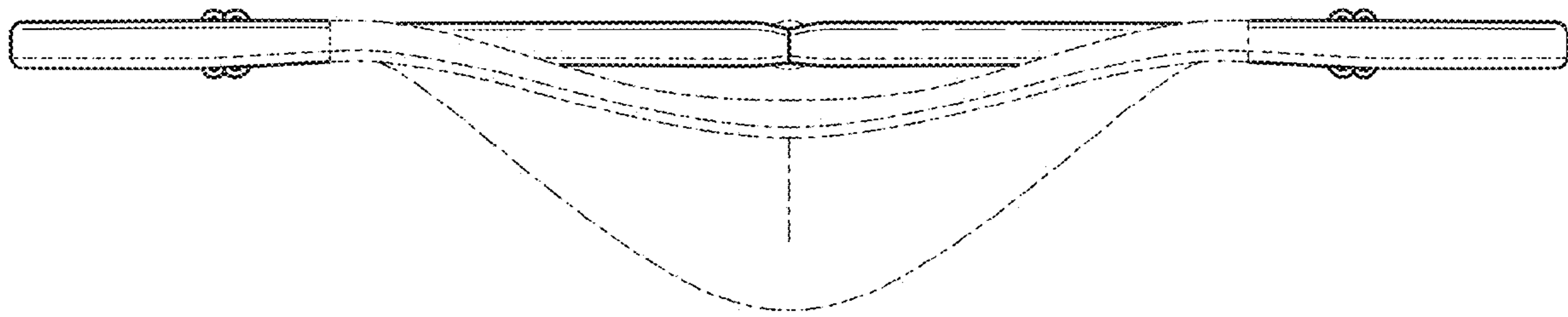


FIG. 6

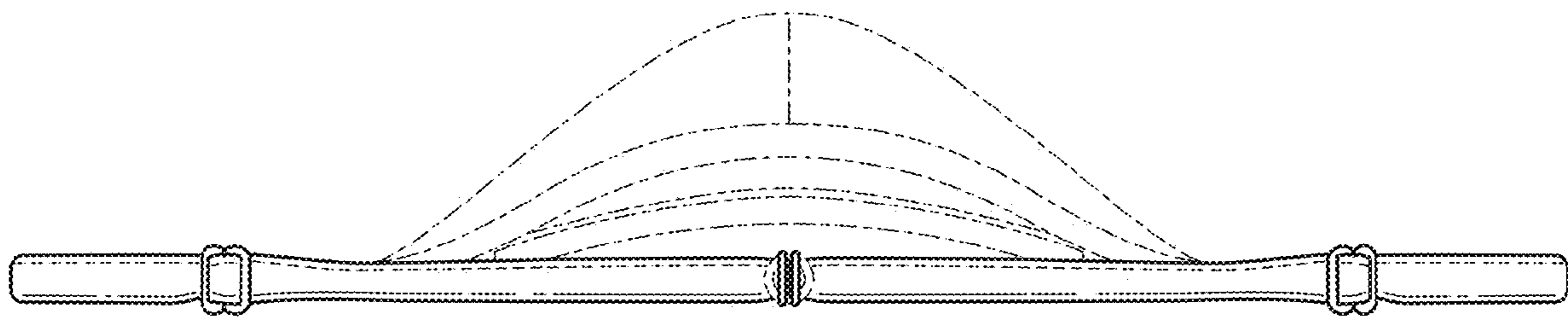


FIG. 7