

US00D956953S

(12) **United States Design Patent**
Tu

(10) **Patent No.:** **US D956,953 S**
(45) **Date of Patent:** **** Jul. 5, 2022**

(54) **FILTER MASK**

(71) Applicant: **beyondSMART Furniture Co., Ltd.,**
Shenzhen (CN)

(72) Inventor: **Jiawei Tu, Nanping (CN)**

(73) Assignee: **beyondSMART Furniture Co., Ltd.,**
Shenzhen (CN)

(**) Term: **15 Years**

(21) Appl. No.: **29/737,343**

(22) Filed: **Jun. 8, 2020**

(30) **Foreign Application Priority Data**

May 7, 2020 (CN) 202030200723.2

(51) **LOC (13) Cl.** **29-02**

(52) **U.S. Cl.**
USPC **D24/110.1; D29/108**

(58) **Field of Classification Search**
USPC D24/110.1-110.6, 164, 110; D29/101.1,
D29/105-108, 120.2
CPC . A41D 13/11; A41D 13/1107; A41D 13/1115;
A41D 13/1123; A41D 13/113; A41D
13/1138; A41D 13/1146; A41D 13/1153;
A41D 13/1161; A41D 13/1169; A62B
23/025; A62B 18/00; A62B 18/02; A62B
18/025; A62B 18/08; A62B 18/084; A62B
18/10

See application file for complete search history.

(56) **References Cited**

U.S. PATENT DOCUMENTS

- 4,793,343 A * 12/1988 Cummins, Jr. ... A61M 16/1075
128/203.27
- 5,372,130 A 12/1994 Stern et al.
- 6,016,804 A * 1/2000 Gleason A62B 18/10
128/205.25

- 7,261,104 B2 8/2007 Kiefer et al.
 - D665,903 S * 8/2012 Sullivan, Jr. D24/110.1
 - D819,194 S * 5/2018 Wenger D24/110.1
- (Continued)

FOREIGN PATENT DOCUMENTS

- CN 203262320 U 11/2013
 - CN 205041998 U * 2/2016
- (Continued)

OTHER PUBLICATIONS

ACCUMED; 20-Pack N95 Mask Respirator (NIOSH), Safety Face Mask, Air Filtration Anti Dust Mask, Disposable Particulate Filtering Respirator Mask; <https://accumed.com/n95-mask-for-sale-respirator-safety-face-mask-z1.html> May 1, 2020; 3 pages.

(Continued)

Primary Examiner — Richard Kearney
Assistant Examiner — Michael Hoffman
(74) *Attorney, Agent, or Firm* — Moyles IP, LLC

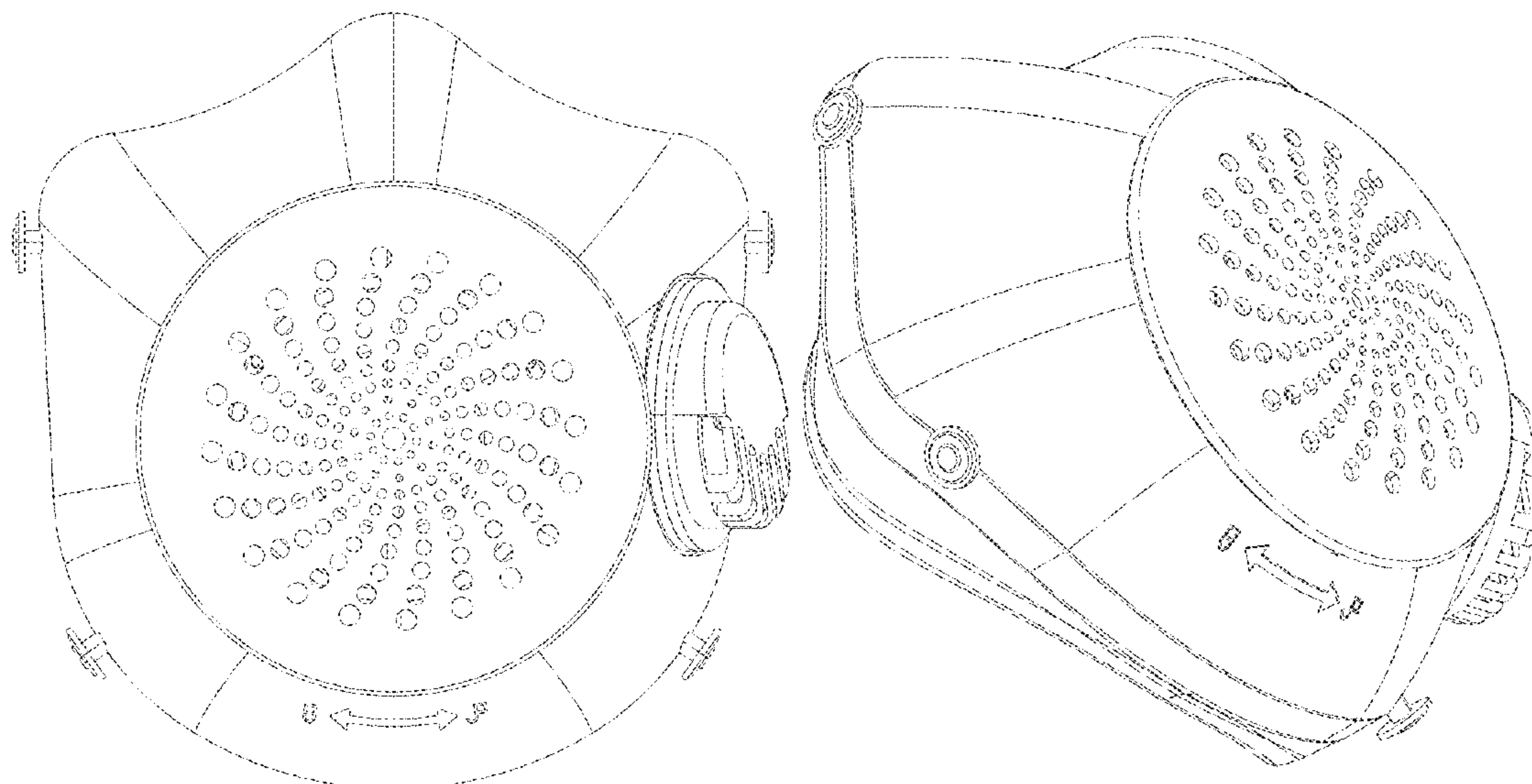
(57) **CLAIM**

I claim the ornamental design for a filter mask, as shown and described.

DESCRIPTION

FIG. 1 is a front view of a filter mask showing my new design;
FIG. 2 is a rear view of the filter mask of FIG. 1;
FIG. 3 is a left side view of the filter mask of FIG. 1;
FIG. 4 is a right side view of the filter mask of FIG. 1;
FIG. 5 is a bottom plan view of the filter mask of FIG. 1;
FIG. 6 is a top plan view of the filter mask of FIG. 1; and,
FIG. 7 is a bottom perspective view of the filter mask of FIG. 1.
The broken lines shown in the drawings illustrate portions of the filter mask and form no part of the claimed design.

1 Claim, 4 Drawing Sheets



(56)

References Cited

U.S. PATENT DOCUMENTS

10,556,136	B2	2/2020	Seppälä et al.	
D894,394	S *	8/2020	Huang	D24/162
D903,097	S *	11/2020	Costella	D24/110.1
D923,775	S *	6/2021	Gilner	D24/110.1
2010/0269831	A1 *	10/2010	Skov	A62B 18/10 128/206.15
2014/0041671	A1	2/2014	Kumar et al.	
2021/0307414	A1 *	10/2021	Korathu-Larson	A41D 13/1107
2021/0307415	A1 *	10/2021	Scalisi	A41D 13/1161

FOREIGN PATENT DOCUMENTS

CN	303721700	*	6/2016
CN	305881213	*	6/2020
CN	305959597	*	7/2020
CN	306099917	*	10/2020
CN	306178229	*	11/2020
WO	2017196726	A1	11/2017
WO	2019008161	A1	1/2019

OTHER PUBLICATIONS

BACKERKIT; Track Guardian G-Volt Graphene Breathing Mask's Indiegogo campaign on BackerTracker; <https://www.backerkit.com/projects/guardian-g-volt-graphene-breathing-mask>; Nov. 2, 2020; 1 page.

banggod.com; Motorcycle Racing PM2.5 Gas Protection Filter Respirator Dust Face Mask Head—Blue; https://www.banggood.com/Motorcycle-Racing-PM2_5-Gas-Protection-Filter-Respirator-Dust-Face-Mask-Head-p-1133533.html?akmClientCountry=America&ID=229&cur_warehouse=USA; Nov. 2, 2020; 1 page.

banggood.com; Industrial Chemical Gas Anti-Dust Spray Paint Welding Respirator Face Mask with 10 Filters; https://www.banggood.com/Industrial-Chemical-Gas-Anti-Dust-Spray-Paint-Welding-Respirator-Face-Mask-with-10-Filters-p-1399799.html?akmClientCountry=America&cur_warehouse=CN; Nov. 2, 2020; 1 page.

banggood.com; Safurance Anti Dust Respirator Mask Filter Polishing Industrial Paint Spraying Decorate Protective Mask Workplace Safety; https://www.banggood.com/Safurance-Anti-Dust-Respirator-Mask-Polishing-Industrial-Paint-Spraying-Decorate-Protective-Mask-p-1292924.html?akmClientCountry=America&cur_warehouse=CN; Nov. 2, 2020; 1 page.

BEECONNECTIONS; Anti Dust Respirator Gas Safety Half Face Mask Filter Chemical Spray Painting Tool; https://www.bidorbuy.co.za/item/447488715/Anti_Dust_Respirator_Gas_Safety_Half_Face_Mask_Filter_Chemical_Spray_Painting_Tool.html; Nov. 2, 2020; 1 page.

DEZEEN; Guardian-G-Volt-Face-Mask-Graphene-Coronavirus-Bacteria; <https://www.dezeen.com/2020/03/06/guardian-g-volt-face-mask-graphene-coronavirus-bacteria/>; Mar. 12, 2020 3 pages.

EBAY; Respirator Anti Dust Industrial Mask Half Facepiece Reusable Paint Breathing; Nov. 2, 2020; <https://www.ebay.ie/itm/Respirator-Anti-Dust-Industrial-Mask-Half-Facepiece-Reusable-Paint-Breathing-/264229711217>; 1 page.

ESQUIRE MIDDLE EAST; People are turning to unusual and inventive masks to beat COVID-19; <https://www.esquireme.com/content/44720-people-are-turning-to-unusual-and-inventive-masks-to-beat-covid-19>; Nov. 2, 2020; 1 page.

GOOGLE; Unisex Mouth PM2.5 Face Mask Anti Dust Face Mouth Cover Mask Dustproof Outdoor Travel Protection; https://www.google.com/search?q=Unisex+Mouth+PM2.5+Face+Mask+Anti+Dust+Face+Mouth+%E2%80%A6&client=img&ei=FBegX_uWDYeF_AaW61bwDQ&bih=839&biw=14038hl=en#imgrc=RT7BvtEclibCuM; Nov. 2, 2020; 1 page.

GUANGZHOU YANGWEI TRADING CO., LTD.; Starbuss S-KN95 Face Mask 3d Nano Technology Protective Mask Authorized Exportation Jiangxi Hornet Industrial; <https://gzyangwei.en.made-in-china.com/productimage/yZeJcgBoMTks-2f...otective-Mask-Authorized-Exportation-Jiangxi-Hornet-Industrial.html>; Nov. 2, 2020; 2 pages.

GVS FILTER TECHNOLOGY, Elipse P3 Respirator; <http://www.gvs.com/product-family/136/715/>; Mar. 23, 2020, 3 pages.

HANGZHOU XINRUI MEDICAL DEVICE CO., LTD.; Disposable Industrial Protective N95 Face Mask with Valve Yellow; <https://xinruimedical.en.made-in-china.com/productimage/cXQJtNeEOhU...sposable-Industrial-Protective-N95-Face-Mask-with-Valve-Yellow.html>; Nov. 2, 2020; 1 page.

HEPA; Covid Coronavirus Face Mask; <https://forum.prusaprinters.org/forum/english-forum-awesome-prints-hall-of-fame/hepa-covid-coronavirus-face-mask/?mode=list>; Nov. 2, 2020; ; 1 page.

IMAIL.COM; S-M-L Ventilation Vertical Dust Mask Breathable Respirator with Oxygen Interface; <https://imail.com/product/S-M-L-Ventilation-Vertical-Dust-Mask-Brea...-Personal-Sleep-Snoring/> aliexpress.com/33007997194/144-24988958/en; Nov. 2, 2020; 1 page.

LOWES.COM; 3M Cool Flow 15-Pack Disposable Painting; Sanding and Fiberglass Valved Safety Mask; <https://www.lowes.com/pd/3M-15-Pack-Disposable-Painting-Sanding-and-Fiberglass/1000040239>; Apr. 6, 2020; 1 page.

O2 INDUSTRIES; O2 Curve Respirator, Breathe easily; https://o2canada.com/?utm_source=digitalremedy&utm_medium=cpc&utm_campaign=sem&utm_term=kwd-948672978147utm_content=c; 2020; 8 pages.

OXSTREETS.ORG.UK; N95 Adult Mask; <https://www.oxstreets.org.uk/n95-adult-mask.html>; Nov. 2, 2020; 1 page.

PICCLICK.CO.UK; FFP2 KN95 FACE Mask With Vent Valve Hygienic Anti Bacterial Pollen Surgical; <https://picclick.co.uk/FFP2-KN95-Face-Mask-With-Vent-Valve-Hygienic-184372409069.html>; Oct. 29, 2020; 1 page.

PINTEREST; Guardian G-Volt Graphene Breathing Mask; <https://www.pinterest.com/pin/271201208798582804/>; Mar. 2020; 1 page.

SHETH, Yanko Design; This reusable face mask uses a pleated hepa filter to let you breathe 99.9% clean air; <https://www.yankodesign.com/2020/06/22/this-reusable-face-mask-uses-a-pleated-hepa-filter-to-let-you-breathe-99-9-clean-air/>; Jun. 22, 2020, 11 pages.

SUPERFEED.COM; mascaras-engracadas-coronavirus; <https://www.superfeed.com.br/2020/06/mascaras-engracadas-coronavirus.html>; Sep. 29, 2020; 1 page.

TEXTALKS.COM; New crowdfunded graphene face mask gives 99% protection from germs and viruses; <https://textalks.com/new-crowdfunded-graphene-face-mask-gives-99-protection-from-germs-and-viruses/>; Nov. 2, 2020; 1 page.

THE HOME DEPOT; 3M Cool Flow N95 Sanding and Fiberglass Valved Respirator; <https://www.homedepot.com/p/3M-N95-Sanding-and-Fiberglass-Valved-Respirator-5-Pack-8511H5-DC-PS/203225611>; Sep. 4, 2020; 1 page.

THE HOME DEPOT; Milwaukee N95 Professional Multi-Purpose Valved Respirator; <https://www.homedepot.com/p/Milwaukee-N95-Professional-Multi-Purpose-Valved-Respirator-10-Pack-48-73-4014/310392944>; Jun. 14, 2020; 1 page.

TINKLEO.COM; 20Pcs KN95 Breathable Respirator Masks + 25Pcs Disposable Masks; <https://www.tinkleo.com/goods/masks/11232.html>; Nov. 2, 2020; 1 page.

TRENTHUNTER; Electrical Sterilization Breathing Masks; <https://www.trendhunter.com/trends/guardian-gvolt>; Mar. 11, 2020; 1 page.

VOVA; Face Mask Anti-splash Spray Anti-virus Protective Equipment Mask masherina ffp3; <https://www.vova.com/en/Face-Mask-Anti-Splash-Spray-Anti-Virus-...-Equipment-Mask-SN158555564511354494515625-g17077689-m18544715>; Oct. 29, 2020; 1 page.

LEAF HEALTHCARE; Compare Leaf Masks; Sep. 19, 2020; 3 pages; <https://www.leaf.healthcare/compare-products>.

LEAF HEALTHCARE; Leaf HEPA; Sep. 19, 2020; 17 pages; <https://www.leaf.healthcare/leaf-hepa>.

LEAF HEALTHCARE; Leaf PRO; Sep. 19, 2020; 18 pages; <https://www.leaf.healthcare/leaf-pro>.

LEAF HEALTHCARE; Leaf UV; Aug. 10, 2020; 18 pages; <https://www.leaf.healthcare/leaf-uv>.

* cited by examiner

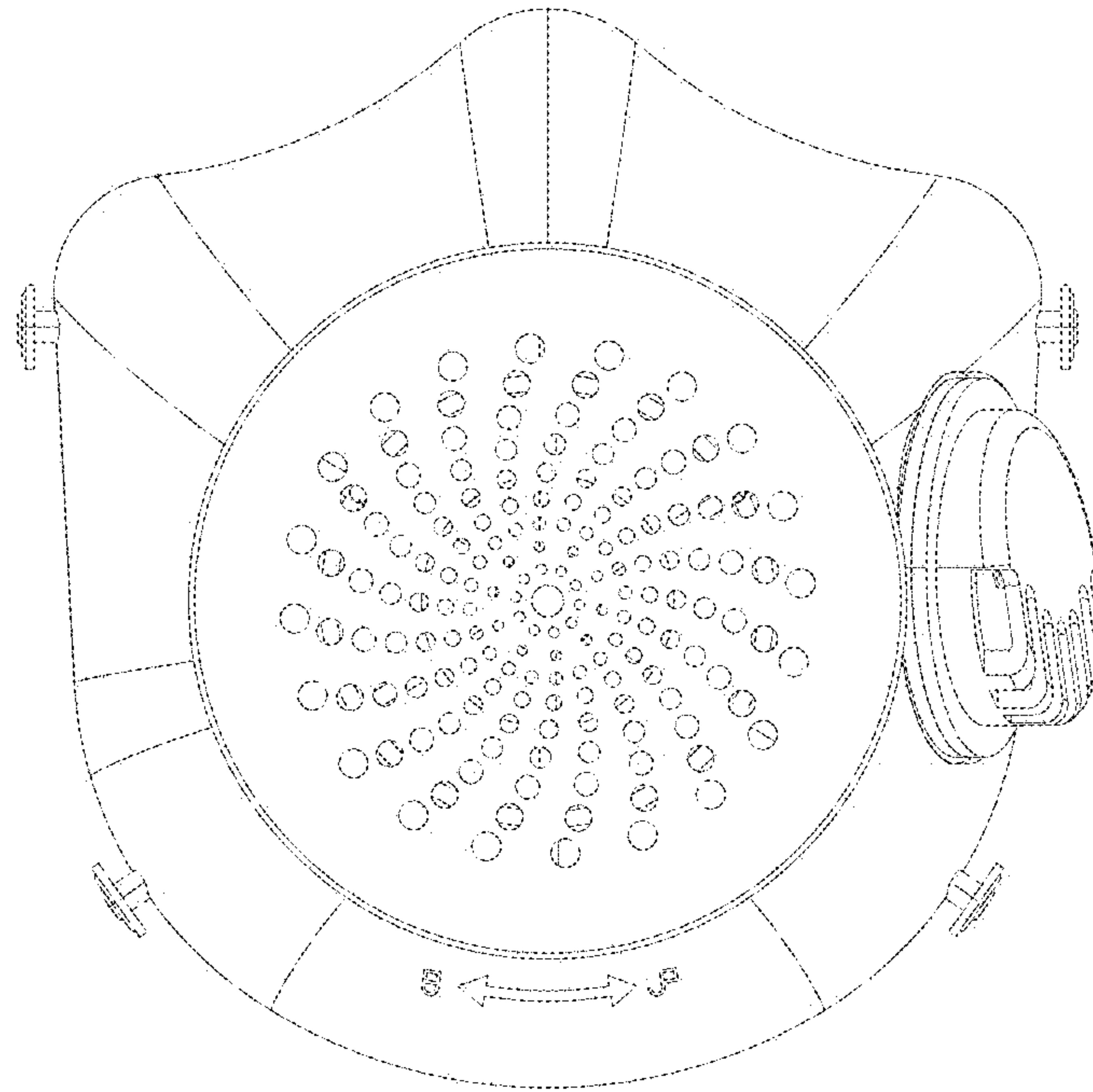


FIG. 1

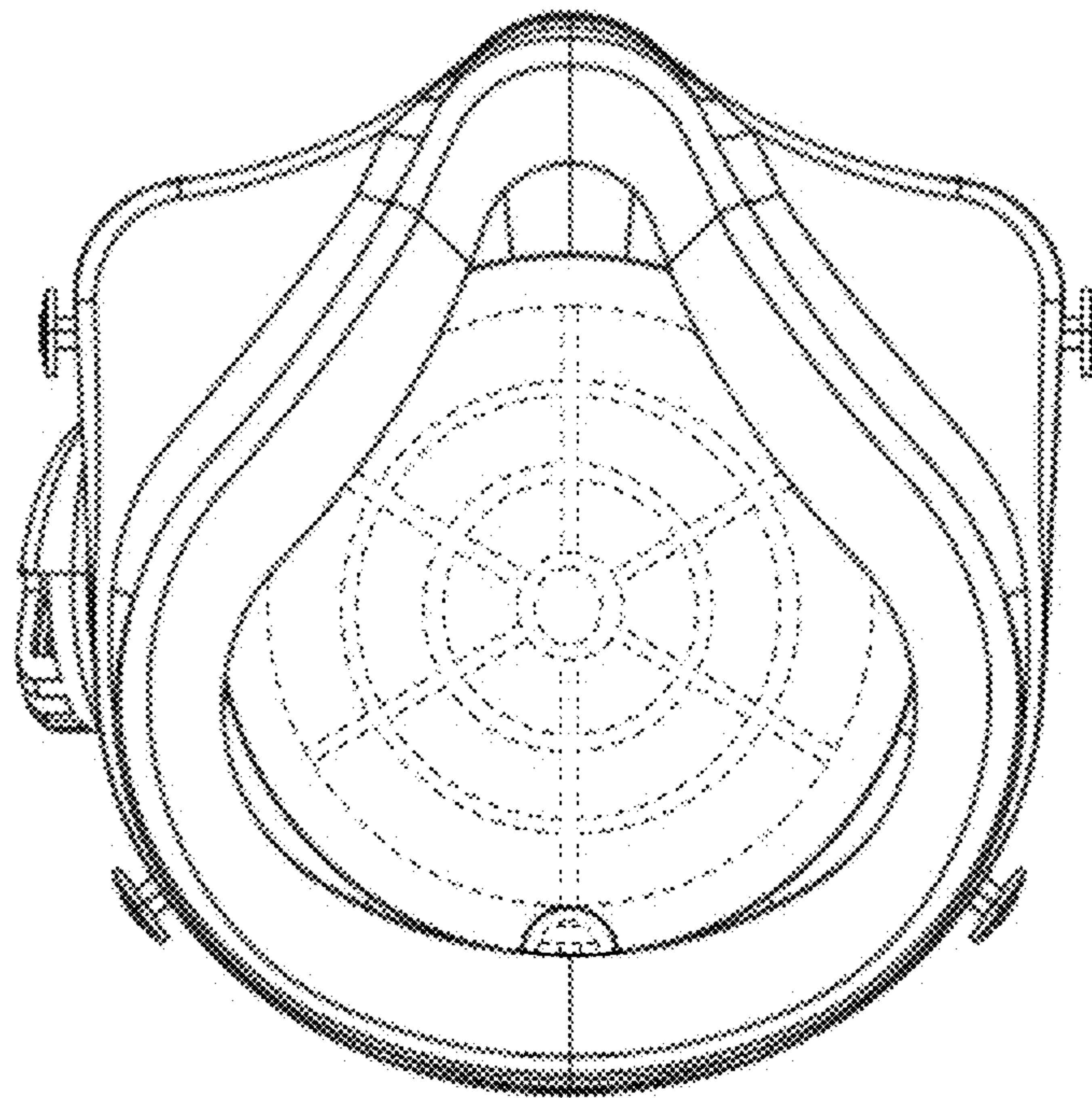


FIG. 2

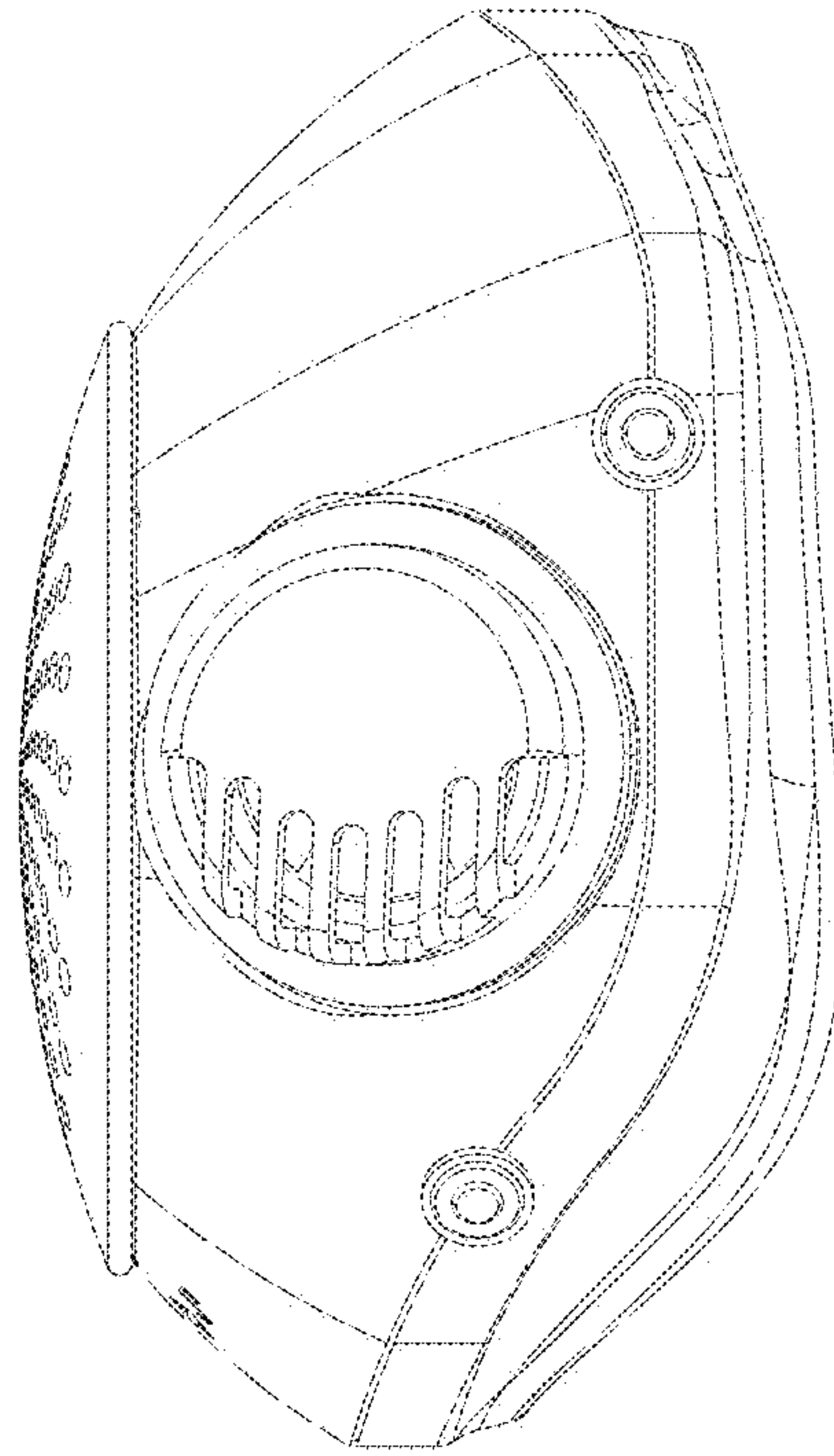


FIG. 3

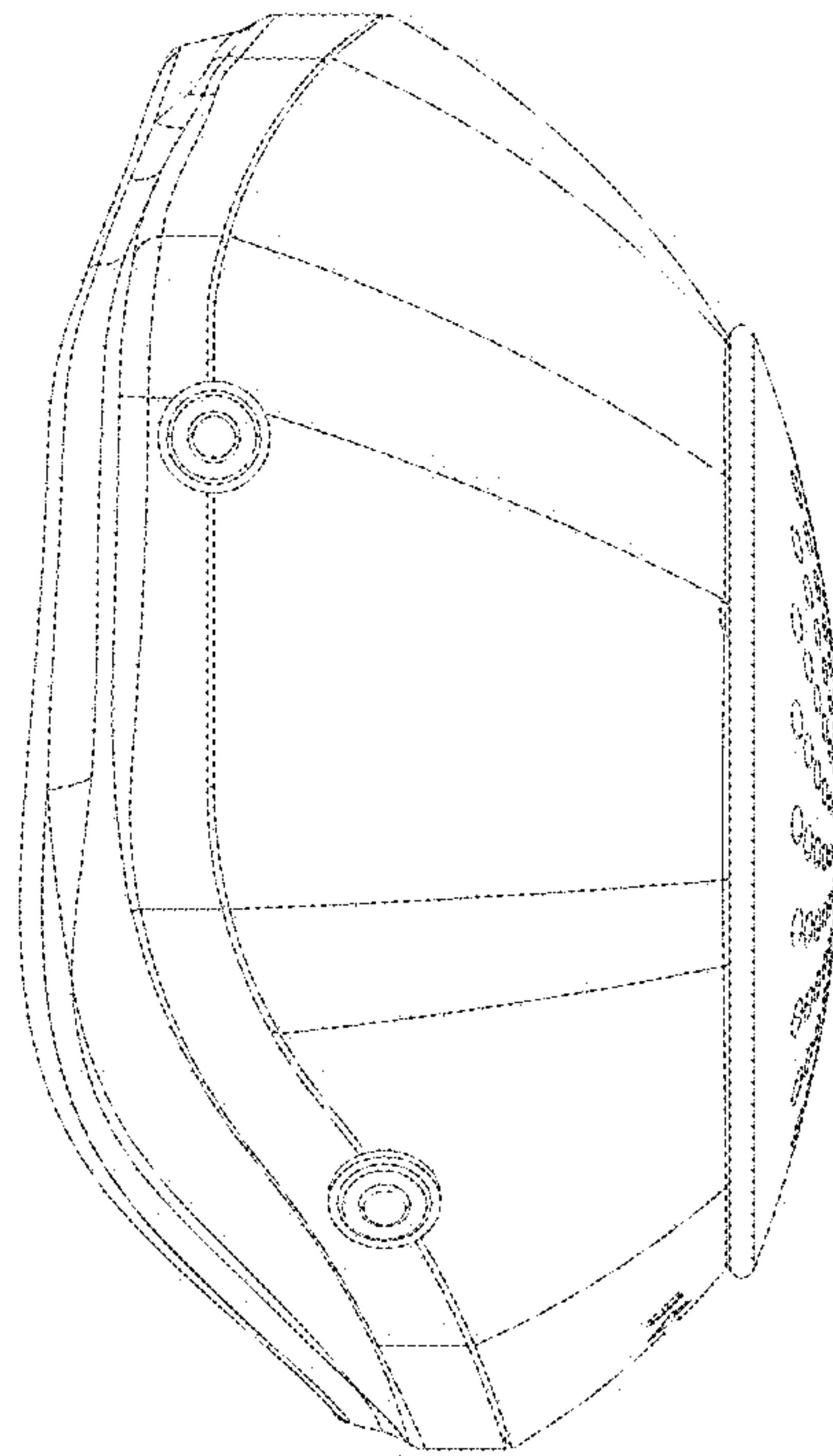


FIG. 4

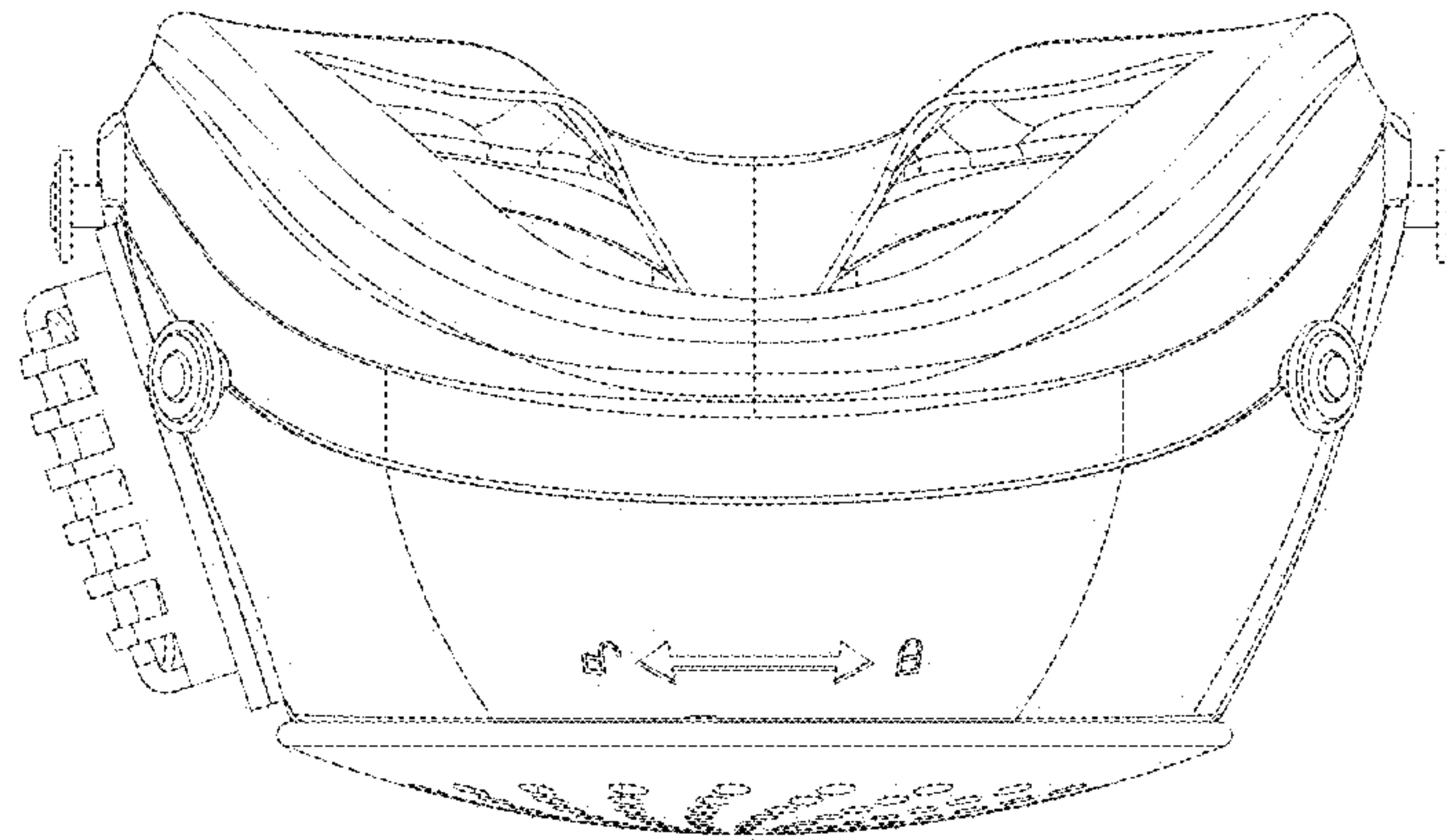


FIG. 5

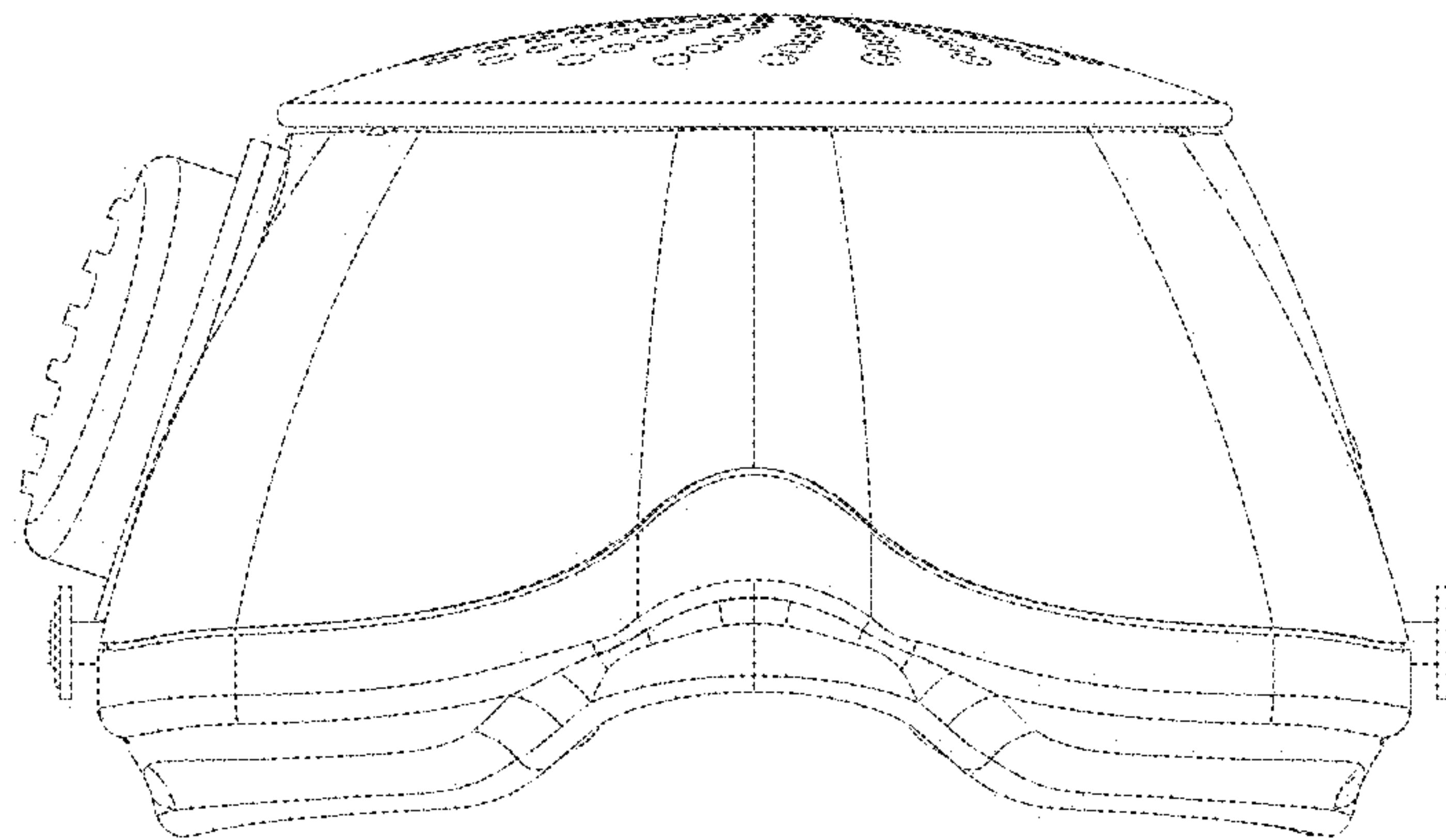


FIG. 6

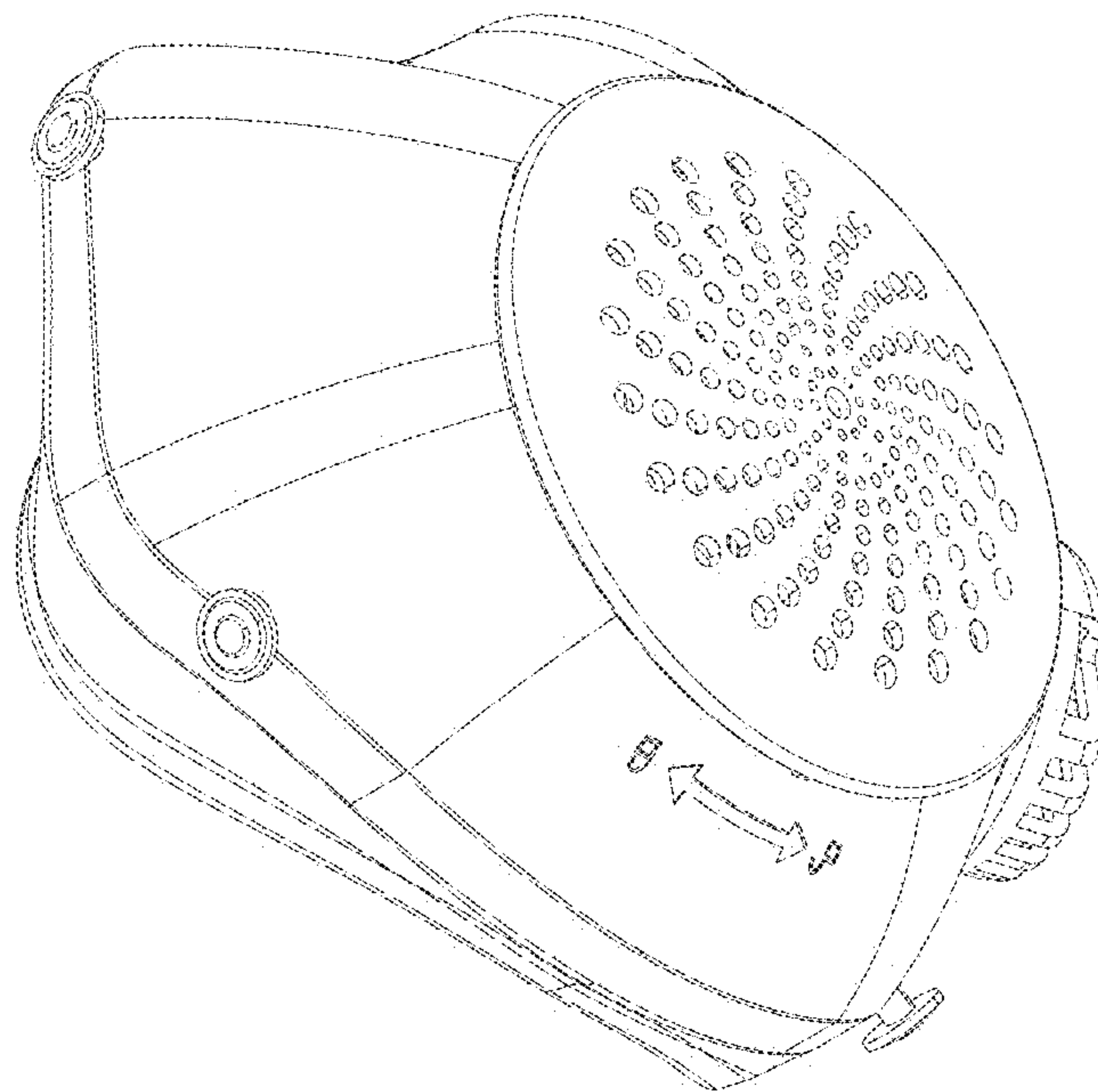


FIG. 7