



US00D956952S

(12) **United States Design Patent** (10) **Patent No.:** **US D956,952 S**
Holmes (45) **Date of Patent:** **** Jul. 5, 2022**

(54) **CEILING FAN BLADE IRON**

OTHER PUBLICATIONS

(71) Applicant: **HUNTER FAN COMPANY**,
Memphis, TN (US)

<http://www.kingoffans.com/photos/manuals/20.pdf>, Owner's Manual
for King of Fans Sibley 52 in Ceiling Fan, accessed Apr. 2, 2017.
(Continued)

(72) Inventor: **Christine Holmes**, Memphis, TN (US)

Primary Examiner — Sharon S Oum

(73) Assignee: **Hunter Fan Company**, Memphis, TN
(US)

(74) *Attorney, Agent, or Firm* — McGarry Bair PC

(**) Term: **15 Years**

(57) **CLAIM**

(21) Appl. No.: **29/787,948**

The ornamental design for a ceiling fan blade iron, as shown
and described.

(22) Filed: **Jun. 9, 2021**

DESCRIPTION

Related U.S. Application Data

(60) Continuation of application No. 29/748,804, filed on
Sep. 1, 2020, which is a continuation of application
No. 29/714,017, filed on Nov. 20, 2019, now Pat. No.
Des. 899,581, which is a division of application No.
29/624,797, filed on Nov. 3, 2017, now Pat. No. Des.
872,250.

FIG. 1 is a top perspective view of a ceiling fan blade iron,
shown in the environment of a ceiling fan, showing my new
design;

(51) **LOC (13) Cl.** **23-03**

(52) **U.S. Cl.**
USPC **D23/411; D23/377**

FIG. 2 is a bottom perspective view thereof;

(58) **Field of Classification Search**
USPC D23/370, 377, 379, 381–382, 385,
D23/411–414

FIG. 3 is a left side view thereof;

CPC F04D 25/088; F04D 29/38; F04D 29/384;
F04D 29/386

FIG. 4 is a front view thereof;

See application file for complete search history.

FIG. 5 is a right side view thereof;

FIG. 6 is a rear view thereof;

FIG. 7 is a bottom view thereof;

FIG. 8 is a top view thereof;

FIG. 9 is an enlarged view of the ceiling fan blade iron as
shown in FIG. 1;

FIG. 10 is an enlarged view of the ceiling fan blade iron as
shown in FIG. 2;

FIG. 11 is an enlarged view of the ceiling fan blade iron as
shown in FIG. 3;

FIG. 12 is an enlarged view of the ceiling fan blade iron as
shown in FIG. 4;

FIG. 13 is an enlarged view of the ceiling fan blade iron as
shown in FIG. 5; and,

FIG. 14 is an enlarged view of the ceiling fan blade iron as
shown in FIG. 8.

The broken lines illustrate portions of the ceiling fan blade
iron and environmental structure. None of the broken lines
form part of the claimed design.

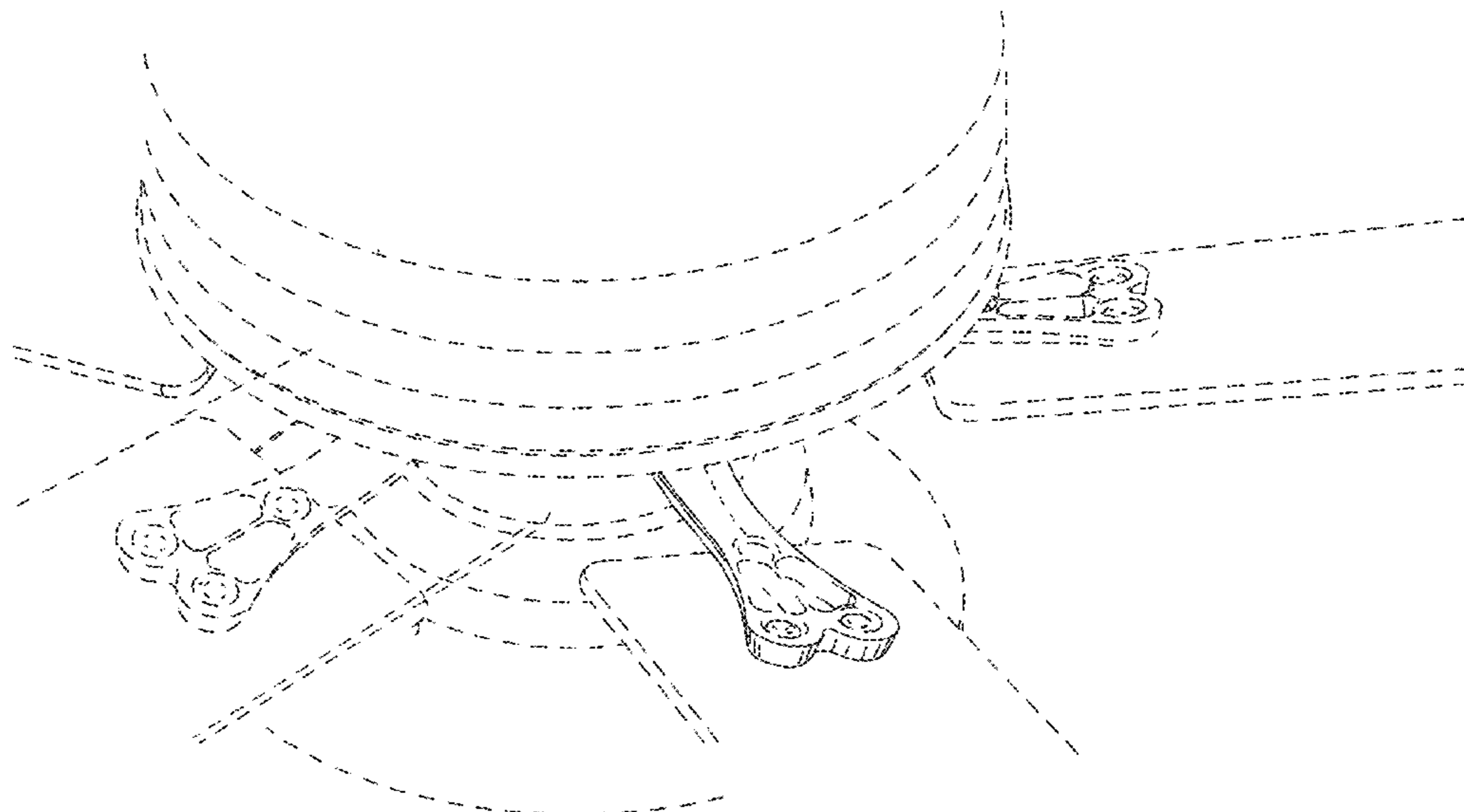
(56) **References Cited**

U.S. PATENT DOCUMENTS

1,588,222 A 6/1926 D'Olier, Jr.
D285,720 S 9/1986 Markwardt
D312,689 S * 12/1990 Weatherford D23/377
D354,804 S * 1/1995 Tsuji D23/385

(Continued)

1 Claim, 14 Drawing Sheets



(56)

References Cited

U.S. PATENT DOCUMENTS

D355,028 S * 1/1995 Tsuji D23/385
 D378,404 S * 3/1997 Jaspers-Fayer D23/385
 D388,165 S * 12/1997 Johnson D23/385
 D393,710 S 4/1998 Gee, II
 D399,333 S 10/1998 Greene et al.
 D404,123 S 1/1999 Pelonis
 6,039,540 A * 3/2000 Wu F04D 25/088
 416/207
 6,264,344 B1 7/2001 Quiogue et al.
 D456,891 S * 5/2002 Hsieh D23/411
 D479,872 S 9/2003 Young
 D487,506 S * 3/2004 Burns D23/411
 D490,514 S * 5/2004 Tsuji D23/411
 D506,822 S 6/2005 Young
 D522,131 S * 5/2006 Dye D23/411
 D526,715 S 8/2006 Glasbrenner
 D529,602 S 10/2006 Glasbrenner
 D544,596 S * 6/2007 Shurtleff D23/411
 D547,436 S 7/2007 Shurtleff
 D552,228 S 10/2007 Ertze
 7,281,899 B1 * 10/2007 Bucher F04D 29/646
 416/207
 D563,543 S 3/2008 Pickett
 D574,948 S * 8/2008 Flores D23/411
 D581,040 S 11/2008 Pickett
 D594,540 S 6/2009 Pan
 D627,456 S 11/2010 Glasbrenner
 D627,870 S 11/2010 Wang
 D633,611 S 3/2011 Pan
 D707,809 S * 6/2014 Pan D23/411
 D744,081 S 11/2015 Wang
 D801,515 S 10/2017 Wang
 D805,624 S 12/2017 O'Connell et al.
 D810,921 S 2/2018 McRoberts

9,897,095 B2 2/2018 Botkin
 D827,805 S 9/2018 Biancuzzo
 D828,913 S * 9/2018 Holmes D23/411
 D838,357 S 1/2019 Haggar
 D872,250 S * 1/2020 Holmes D23/377
 2017/0045197 A1 2/2017 Rossi

OTHER PUBLICATIONS

<http://www.kingoffans.com/photos/manuals/107.pdf>, Owner's Manual for King of Fans Carlisle 52" Ceiling Fan, Model No. EF200S (H)—52, accessed Apr. 2, 2017.
https://www.amazon.com/Hampton-Bay-Middleton-Ceiling-White-OB/dp/B00UM7UGPK/ref=sr_1_2?ie=UTF8&qid=1491158071&sr=8-2&keywords=white+42+inch+ceiling+fan&refinements=p_89%3AHampton+Bay,Item+Specification+for+Hampton+Bay+Middleton+42+Ceiling+Fan,Item+No.+121079+UE42VWH-SHB, accessed Apr. 2, 2017.
<http://www.homedepot.com/p/Hampton-Bay-Littleton-42-in-White-Ceiling-Fan-UB42SWH-SH/204492480>, Item Specification for Hampton Bay Littleton 42 in. White Ceiling Fan, Item No. UB42SWH-SH, accessed Apr. 2, 2017.
<http://www.hunterfan.com/Ceiling-Fans/Newsome-Low-Profile?ModelNumber=51080>, Item Specification for Newsome LP—42" Ceiling Fan, Item 51080, accessed Apr. 2, 2017.
<http://www.kichler.com/products/product/52-inch-monarch-ii-select-fan-oz-339213oz.aspx>, Item Specification for Kichler Monarch II Select Collection, 52 Inch Monarch II Select Fan OZ, Item 339213OZ, accessed Apr. 2, 2017.
<http://www.montecarlofans.com/21310/52-Weatherford-Deluxe-Outdoor-Fan---Roman-Bronze-5W-F52RBD.html>, Item Specification for the Monte Carlo 52" Weatherford Deluxe Outdoor Fan, 5WF52RBD-L, accessed Apr. 2, 2017.

* cited by examiner

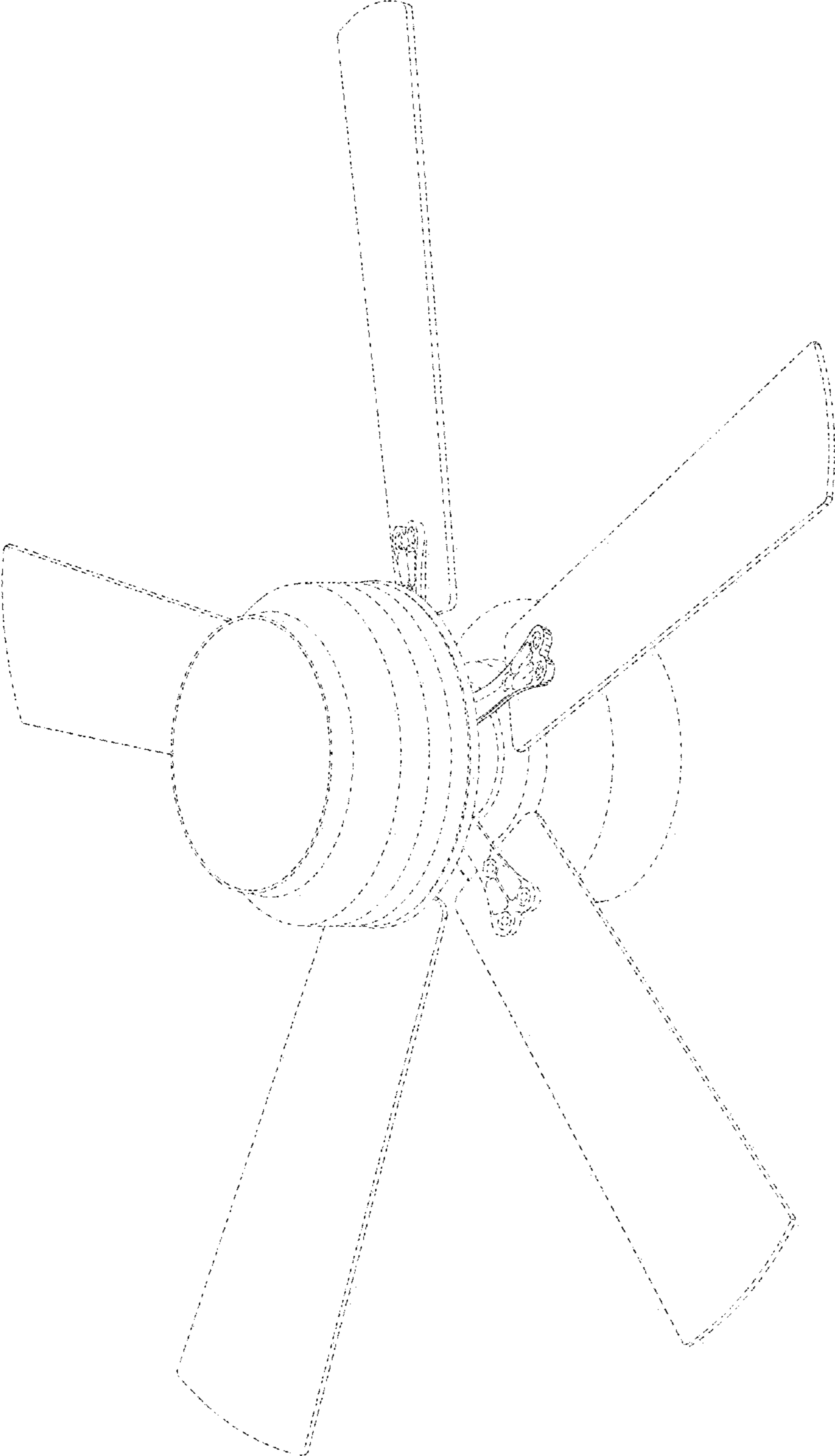


FIG. 1

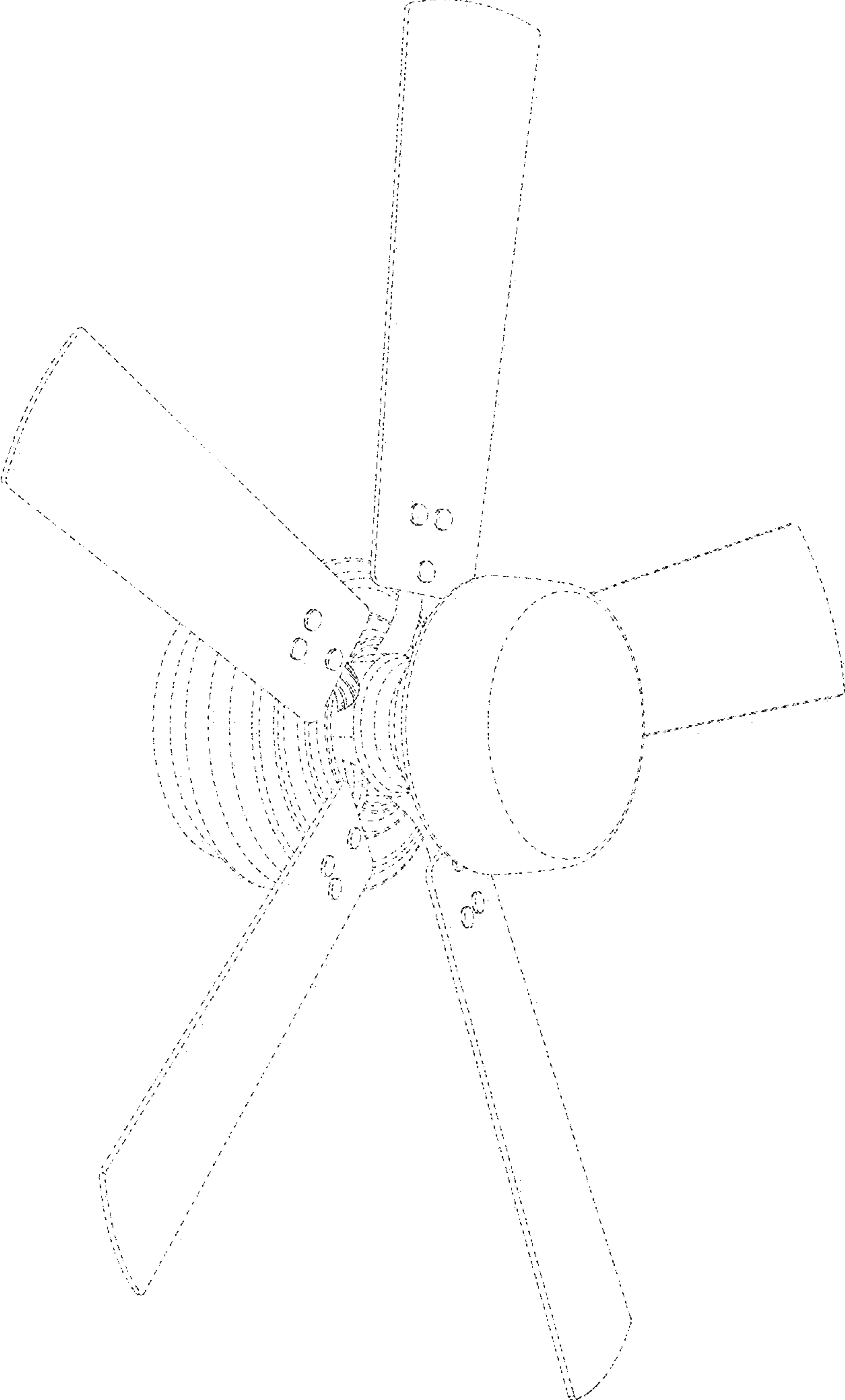


FIG. 2

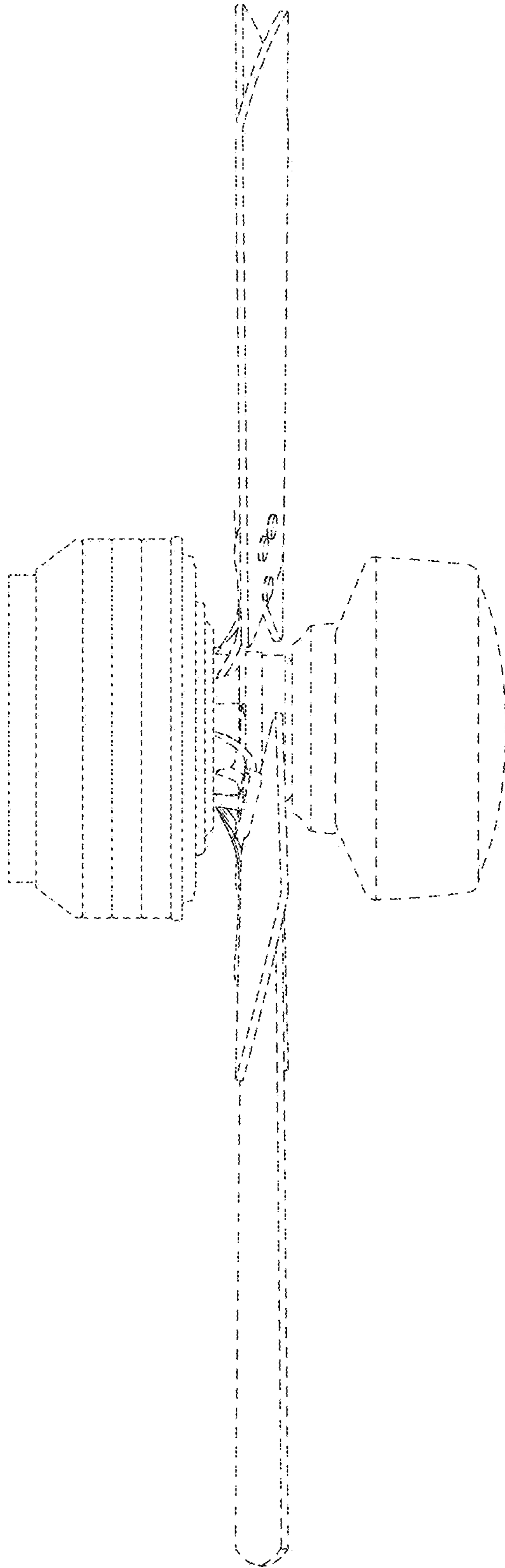


FIG. 3

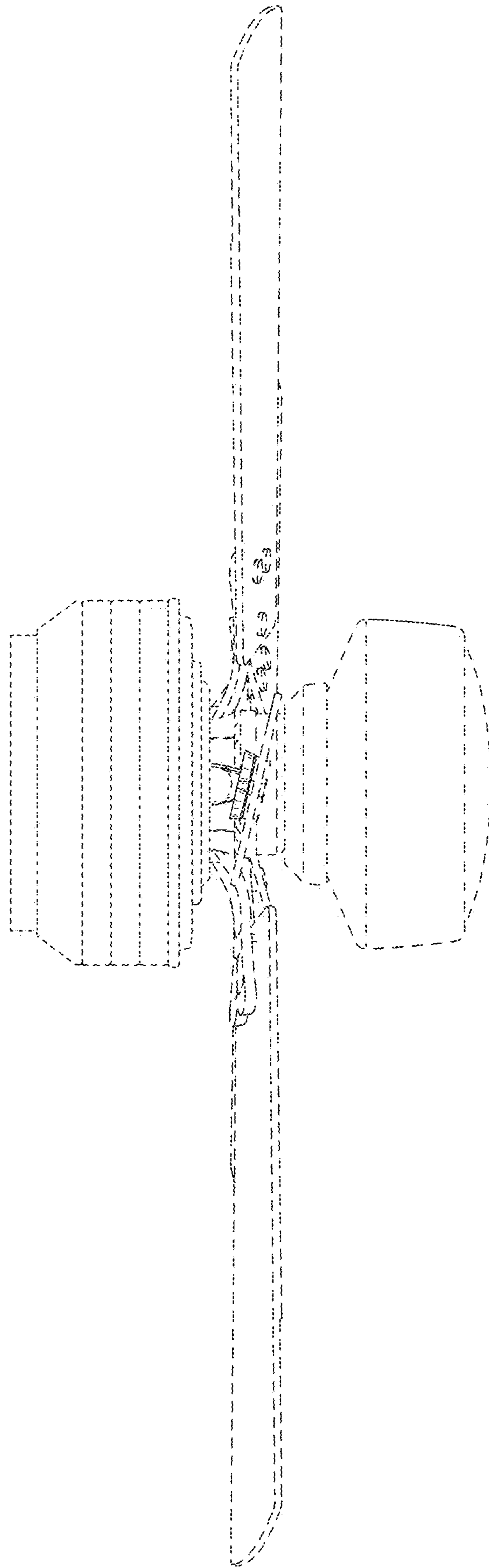


FIG. 4

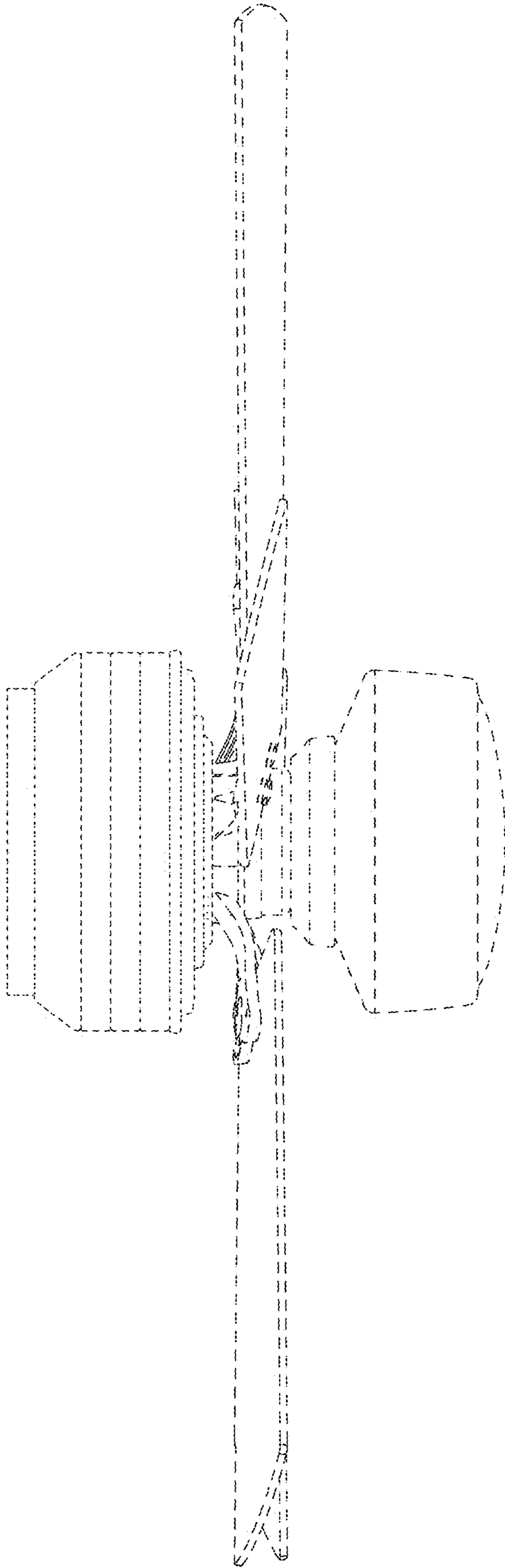


FIG. 5

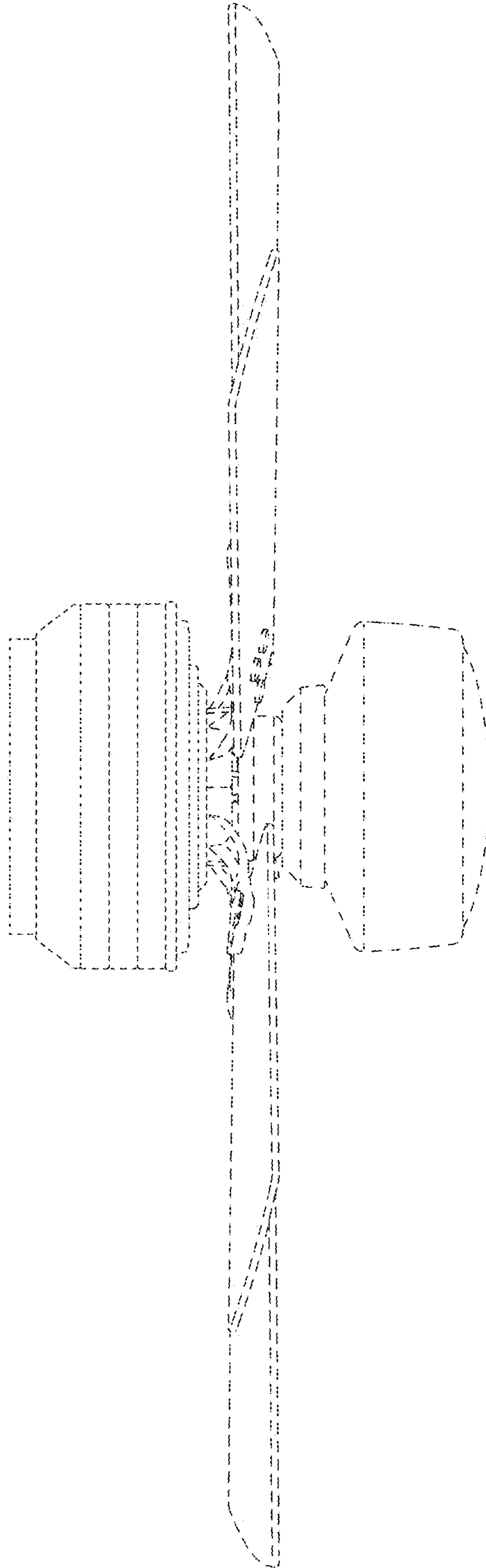


FIG. 6

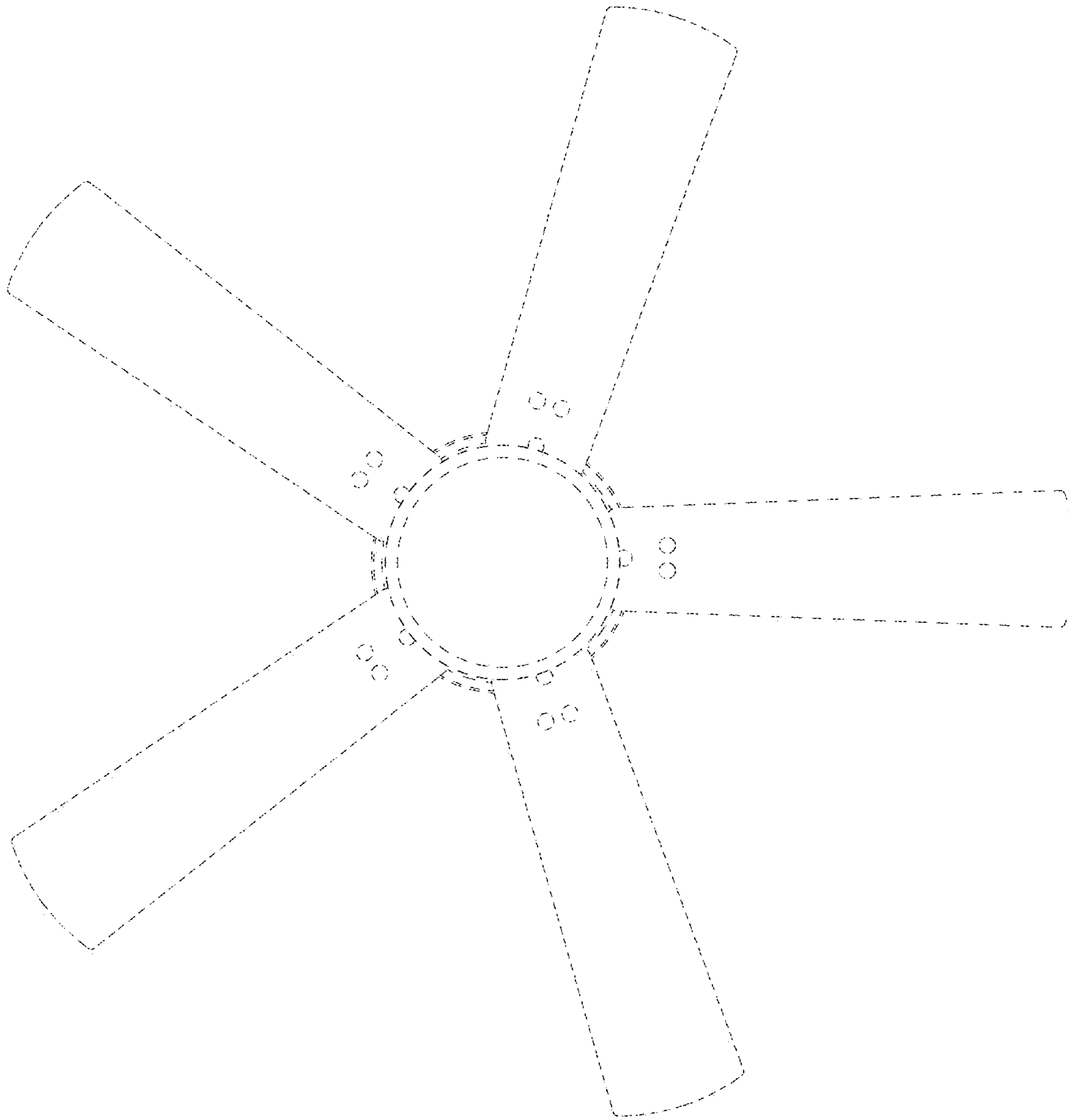


FIG. 7

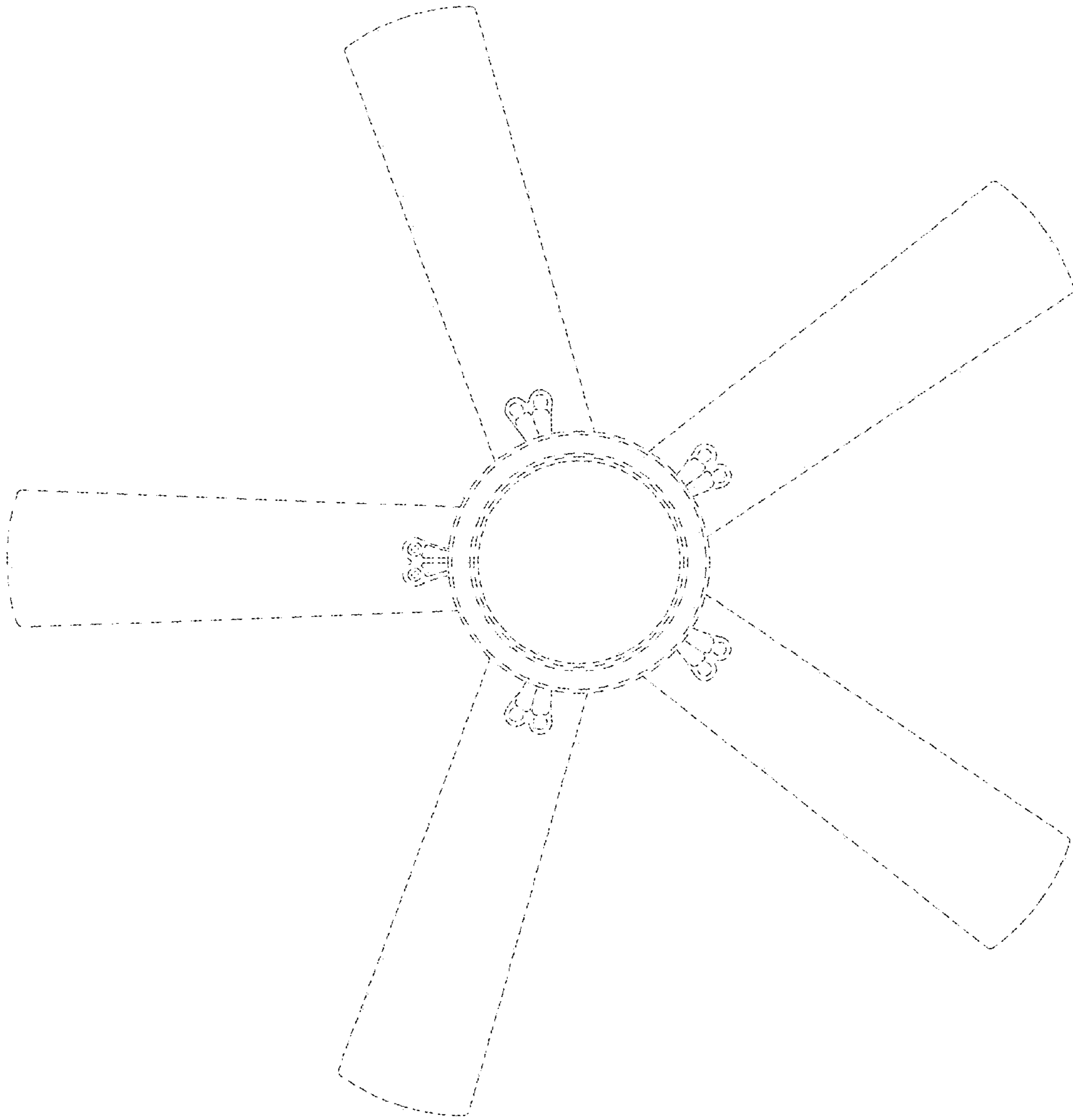


FIG. 8

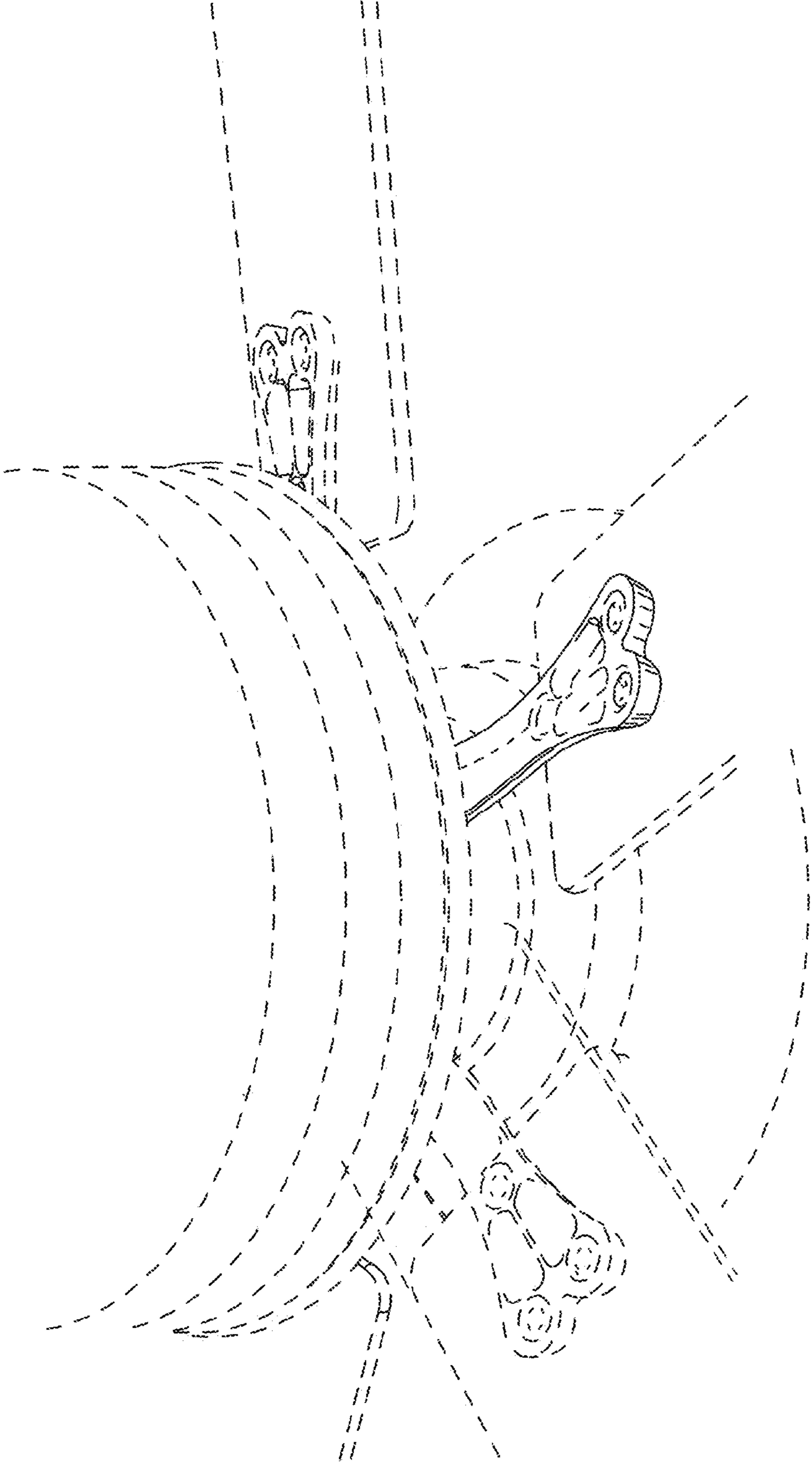


FIG. 9

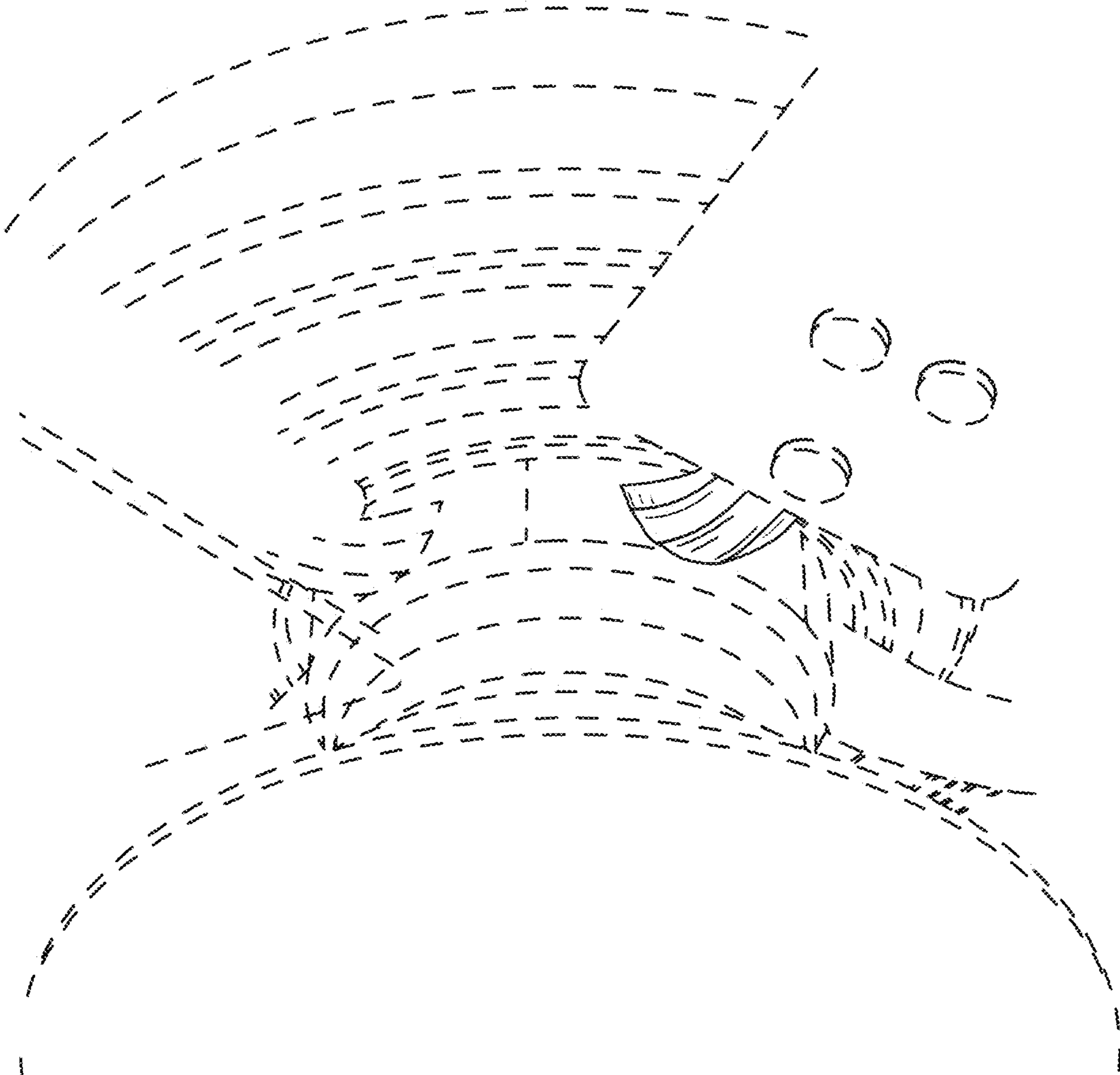


FIG. 10



FIG. 11

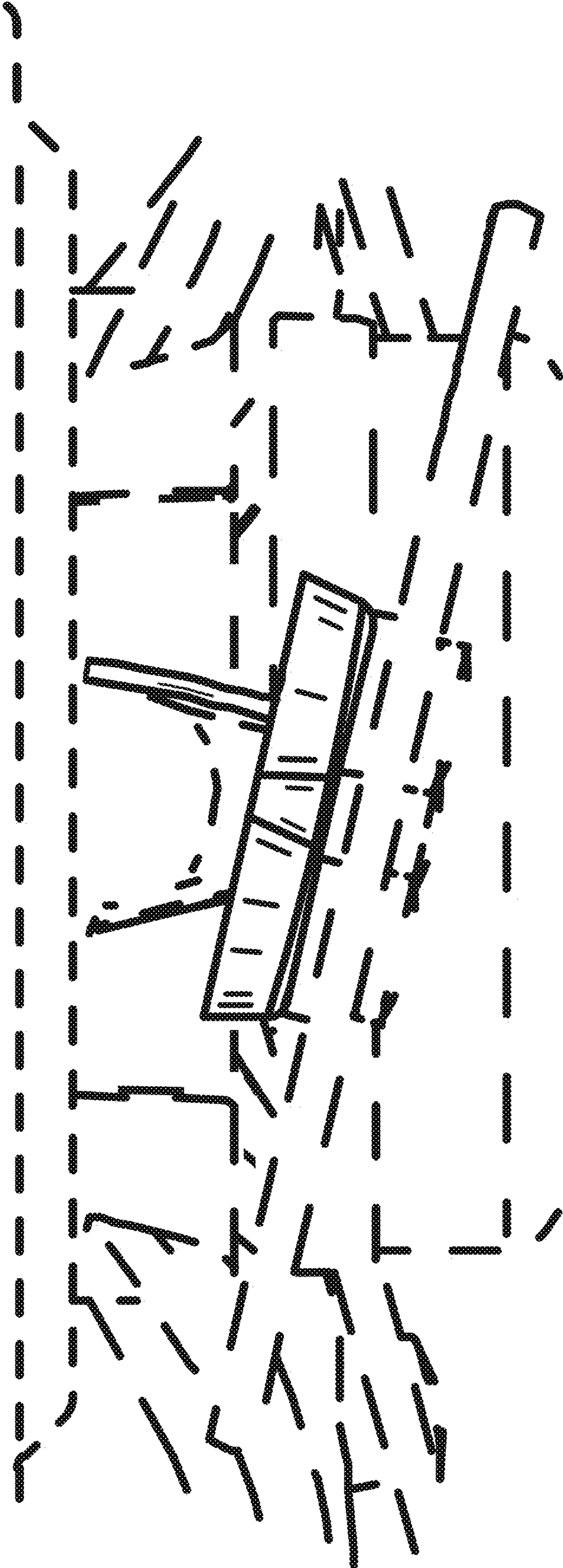


FIG. 12



FIG. 13

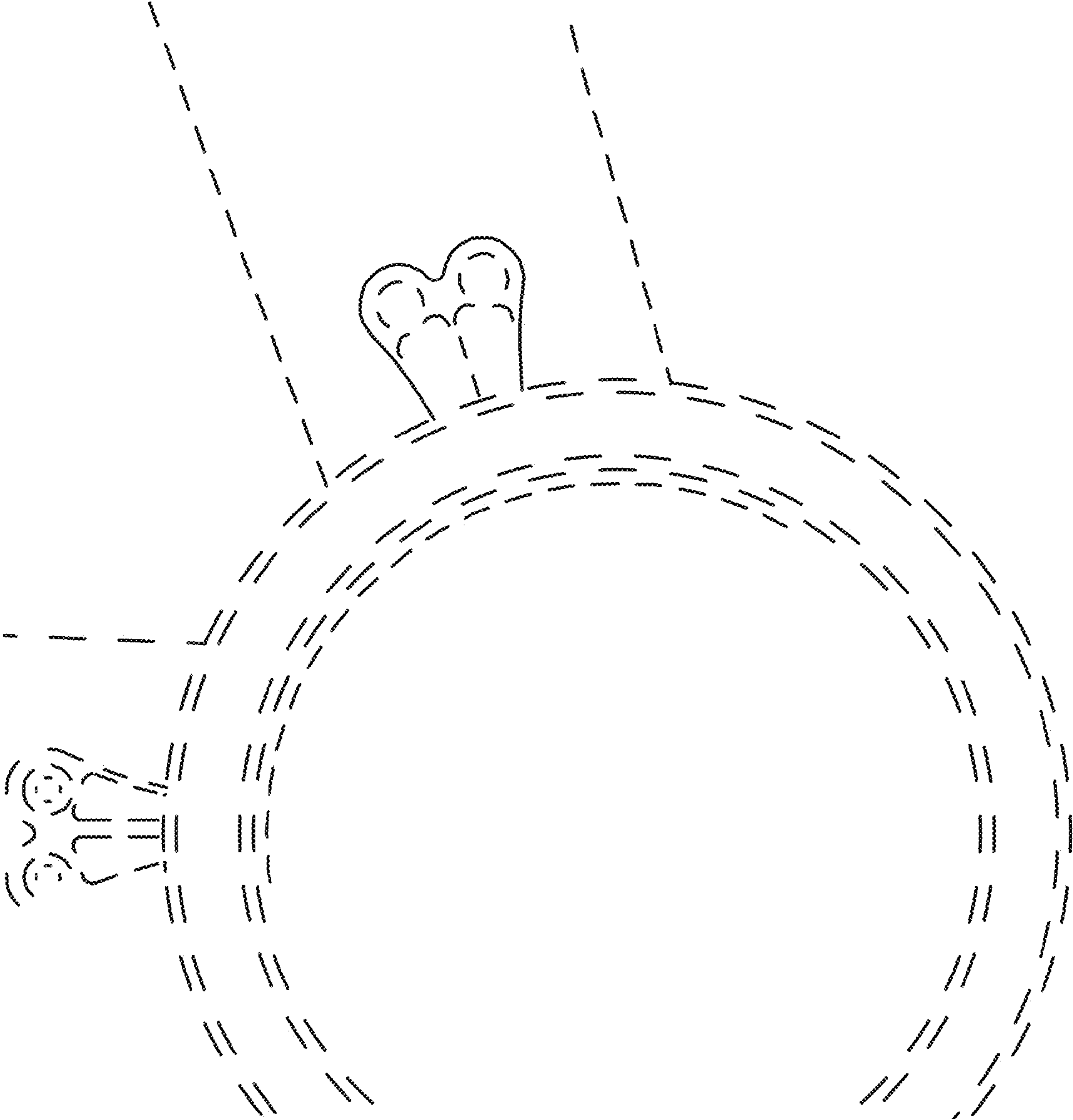


FIG. 14