



US00D956951S

(12) **United States Design Patent** (10) **Patent No.:** **US D956,951 S**
Holmes (45) **Date of Patent:** **** Jul. 5, 2022**

- (54) **CEILING FAN MOTOR HOUSING**
- (71) Applicant: **HUNTER FAN COMPANY**,
Memphis, TN (US)
- (72) Inventor: **Christine Holmes**, Memphis, TN (US)
- (73) Assignee: **Hunter Fan Company**, Memphis, TN
(US)
- (**) Term: **15 Years**
- (21) Appl. No.: **29/748,804**
- (22) Filed: **Sep. 1, 2020**

- D479,872 S 9/2003 Young
 - D506,822 S 6/2005 Young
 - D526,715 S 8/2006 Glasbrenner
 - D529,602 S 10/2006 Glasbrenner
 - D547,436 S 7/2007 Shurtleff
 - D552,228 S * 10/2007 Ertze D23/411
 - D563,543 S * 3/2008 Pickett D23/411
 - D581,040 S * 11/2008 Pickett D23/411
 - D594,540 S 6/2009 Pan
 - D627,456 S 11/2010 Glasbrenner
 - D627,870 S 11/2010 Wang
- (Continued)

Related U.S. Application Data

- (60) Continuation of application No. 29/714,017, filed on Nov. 20, 2019, now Pat. No. Des. 899,581, which is a division of application No. 29/624,797, filed on Nov. 3, 2017, now Pat. No. Des. 872,250.
- (51) **LOC (13) Cl.** **23-03**
- (52) **U.S. Cl.**
USPC **D23/411; D23/377**
- (58) **Field of Classification Search**
USPC D23/370, 377, 379, 381–382, 385,
D23/411–414
CPC F04D 25/088; F04D 29/38; F04D 29/384;
F04D 29/386
See application file for complete search history.

References Cited

U.S. PATENT DOCUMENTS

- 1,588,222 A 6/1926 D'Olier, Jr.
- D285,720 S 9/1986 Markwardt
- D312,689 S 12/1990 Weatherford
- D393,710 S 4/1998 Gee, II
- D399,333 S 10/1998 Greene et al.
- D404,123 S 1/1999 Pelonis
- 6,264,344 B1 7/2001 Quiogue et al.

OTHER PUBLICATIONS

<http://www.kingoffans.com/photos/manuals/20.pdf>, Owner's Manual for King of Fans Sibley 52 in Ceiling Fan, accessed Apr. 2, 2017.
(Continued)

Primary Examiner — Sharon S Oum
(74) *Attorney, Agent, or Firm* — McGarry Bair PC

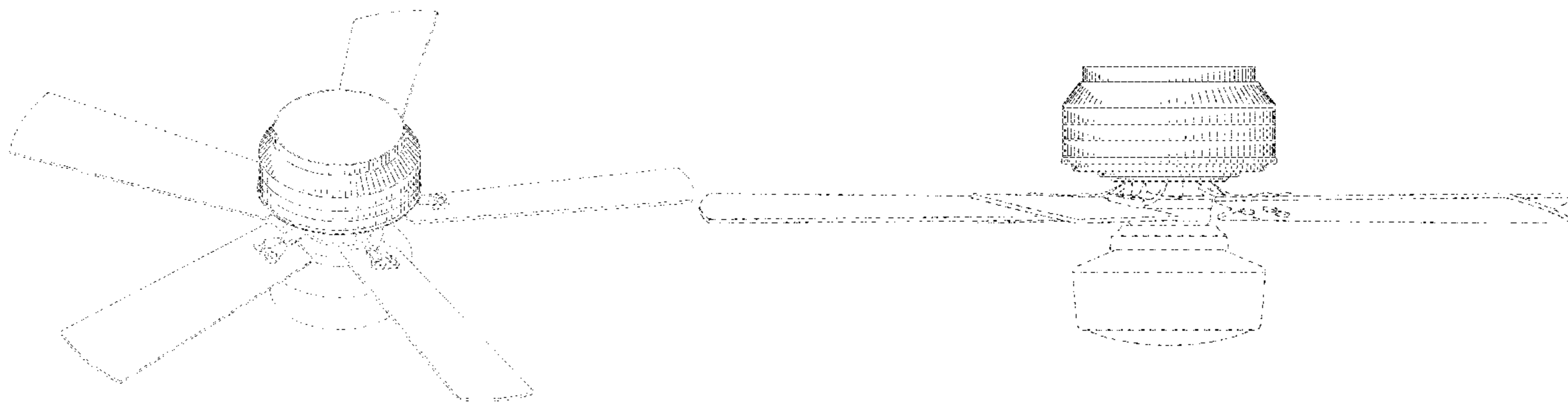
(57) **CLAIM**

The ornamental design for a ceiling fan motor housing, as shown and described.

DESCRIPTION

FIG. 1 is a top perspective view of a ceiling fan motor housing, shown in the environment of a ceiling fan, showing my new design;
FIG. 2 is a bottom perspective view thereof;
FIG. 3 is a left side view thereof;
FIG. 4 is a front view thereof;
FIG. 5 is a right side view thereof;
FIG. 6 is a rear view thereof;
FIG. 7 is a bottom view thereof; and,
FIG. 8 is a top view thereof.
The broken lines illustrate portions of the ceiling fan motor housing and environmental structure. None of the broken lines form part of the claimed design.

1 Claim, 8 Drawing Sheets



(56)

References Cited

U.S. PATENT DOCUMENTS

D633,611 S	3/2011	Pan	
D744,081 S	11/2015	Wang	
D801,515 S	10/2017	Wang	
D805,624 S	12/2017	O'Connell et al.	
D810,921 S	2/2018	McRoberts	
9,897,095 B2	2/2018	Botkin	
D827,805 S	9/2018	Biancuzzo	
D838,357 S	1/2019	Haggar	
D872,250 S *	1/2020	Holmes	D23/377
D884,145 S *	5/2020	Holmes	D23/377
D899,581 S *	10/2020	Holmes	D23/411
2017/0045197 A1	2/2017	Rossi	

OTHER PUBLICATIONS

<http://www.kingoffans.com/photos/manuals/107.pdf>, Owner's Manual for King of Fans Carlisle 52" Ceiling Fan, Model No. EF200S (H)-52, accessed Apr. 2, 2017.

https://www.amazon.com/Hampton-Bay-Middleton-Ceiling-White-OB/dp/B00UM7UGPK/ref=sr_1_2?ie=UTF8&qid=1491158071&sr=8-2&keywords=white+42+inch+ceiling+fan&refinements=p_89%3AHampton+Bay, Item Specification for Hampton Bay Middleton 42" Ceiling Fan, Item No. 121079 UE42VWH-SHB, accessed Apr. 2, 2017.

<http://www.homedepot.com/p/Hampton-Bay-Littleton-42-in-White-Ceiling-Fan-UB42SWH-SH/204492480>, Item Specification for Hampton Bay Littleton 42 in. White Ceiling Fan, Item No. UB42SWH-SH, accessed Apr. 2, 2017.

<http://www.hunterfan.com/Ceiling-Fans/Newsome-Low-Profile?ModelNumber=51080>, Item Specification for Newsome LP-42" Ceiling Fan, Item 51080, accessed Apr. 2, 2017.

<http://www.kichler.com/products/product/52-inch-monarch-ii-select-fan-oz-339213oz.aspx>, Item Specification for Kichler Monarch II Select Collection, 52 Inch Monarch II Select Fan OZ, Item 339213OZ, accessed Apr. 2, 2017.

<http://www.montecarlofans.com/21310/52-Weatherford-Deluxe-Outdoor-Fan--Roman-Bronze-5W-F52RBD.html>, Item Specification for the Monte Carlo 52" Weatherford Deluxe Outdoor Fan, 5WF52RBD-L, accessed Apr. 2, 2017.

* cited by examiner

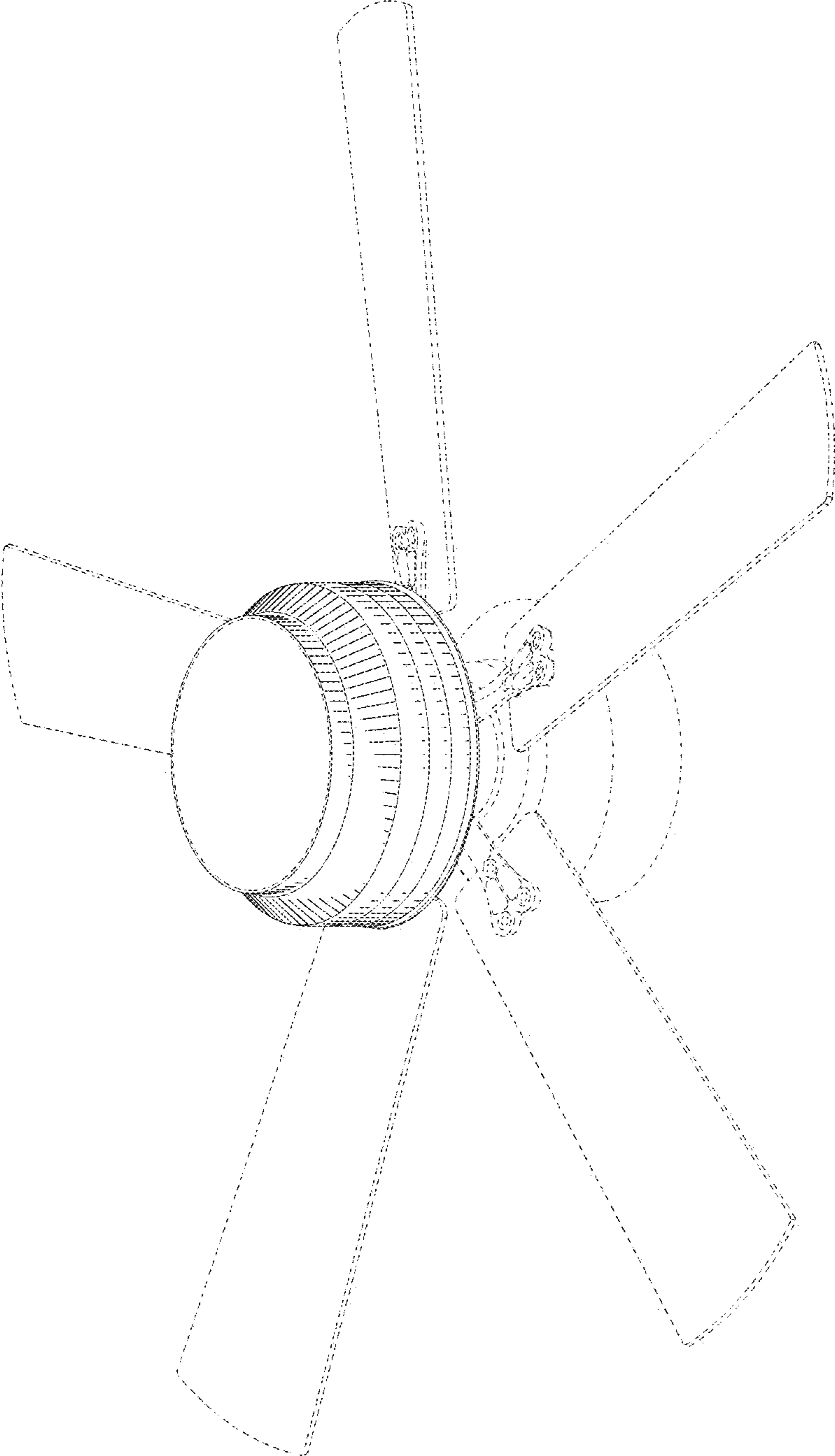


FIG. 1

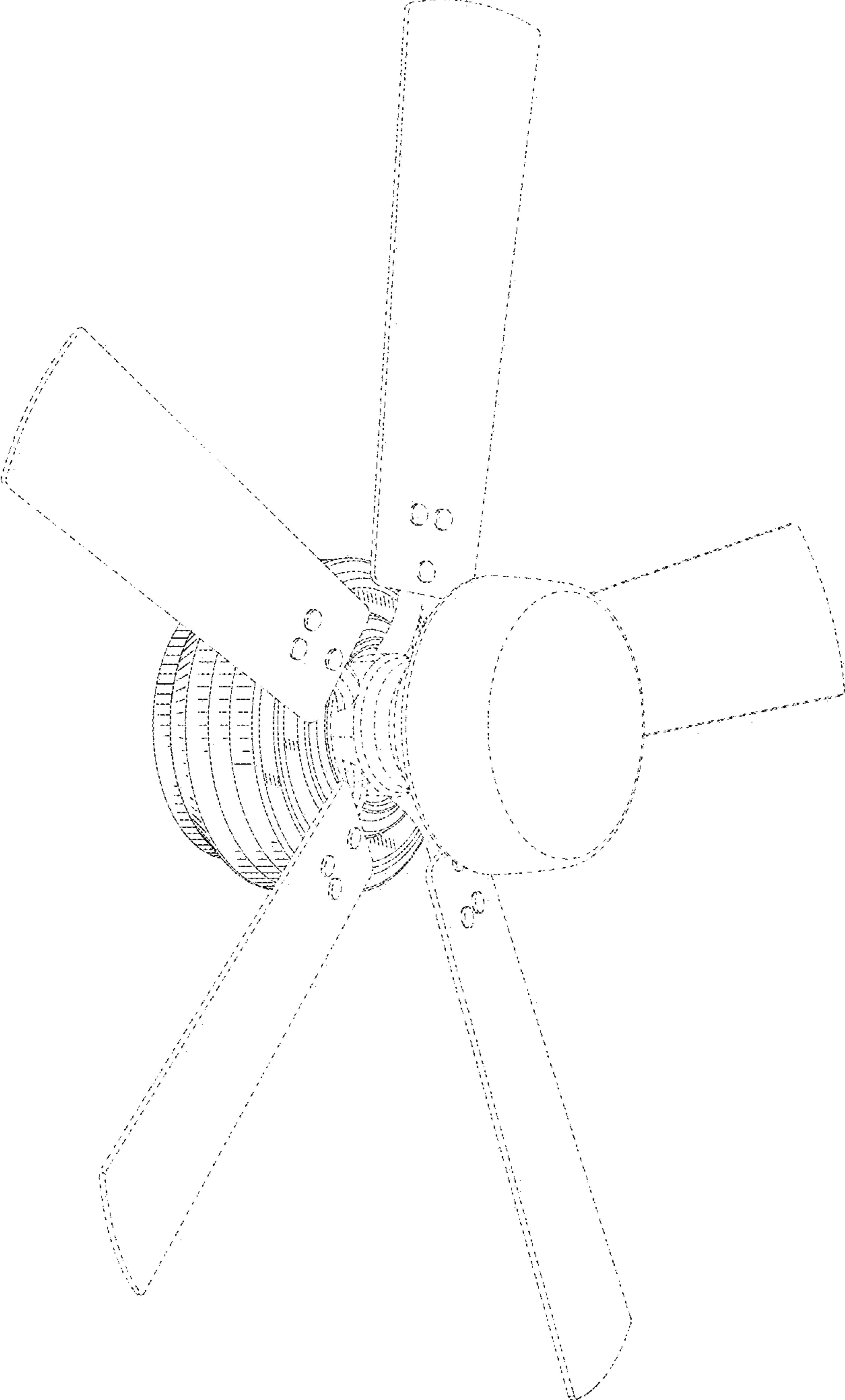


FIG. 2

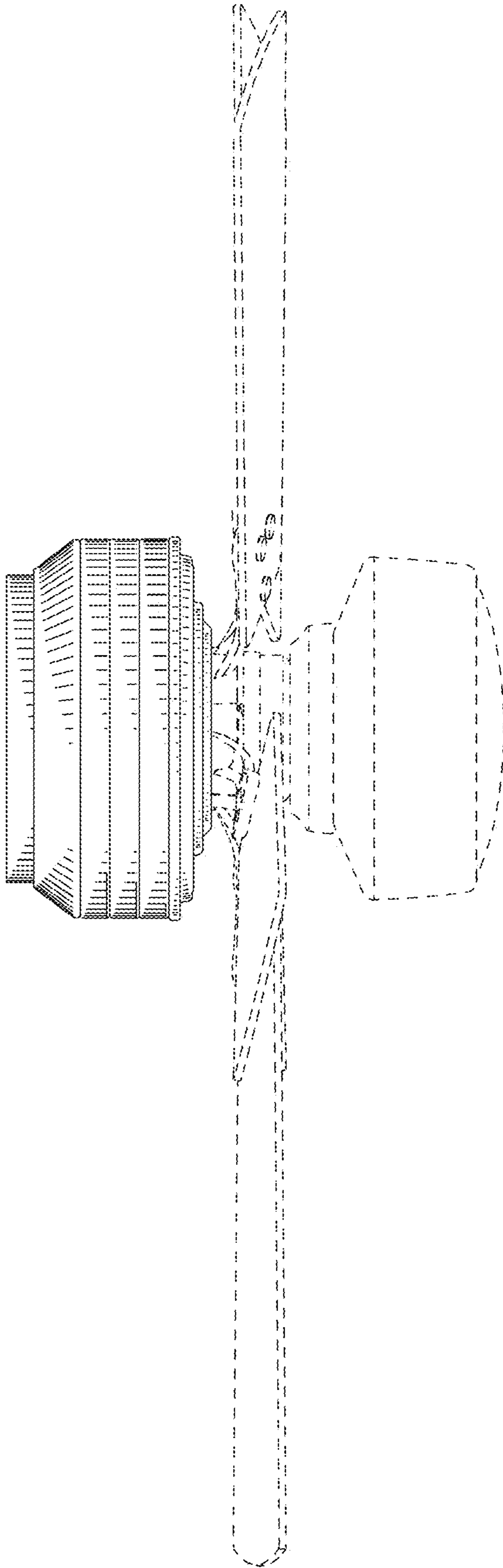


FIG. 3

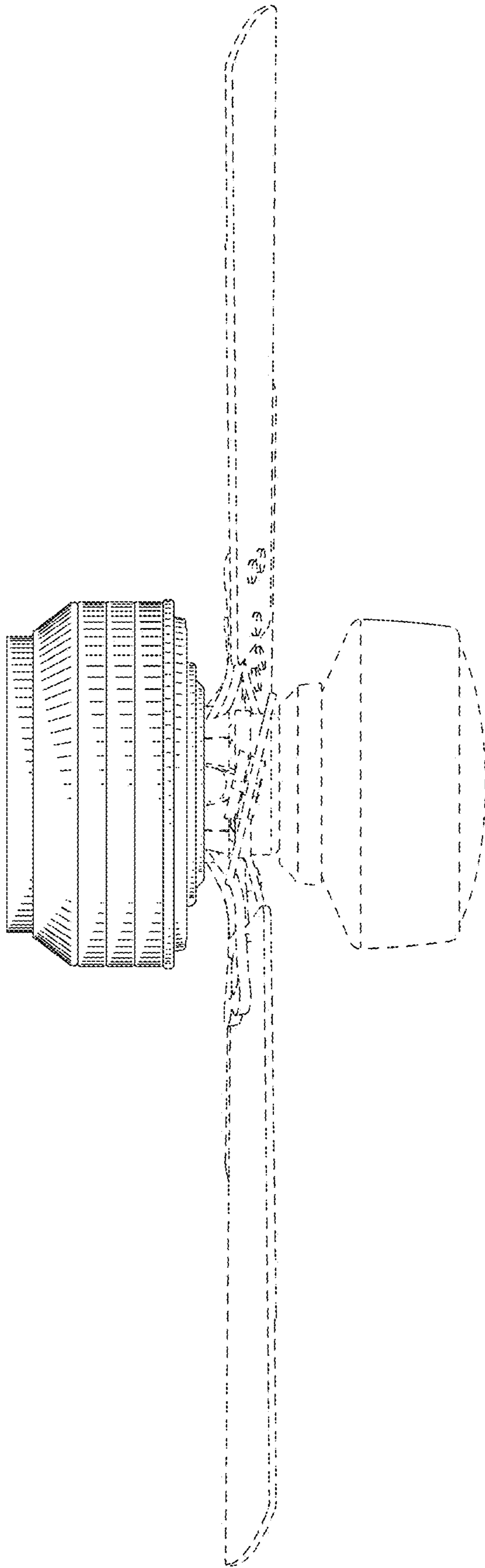


FIG. 4

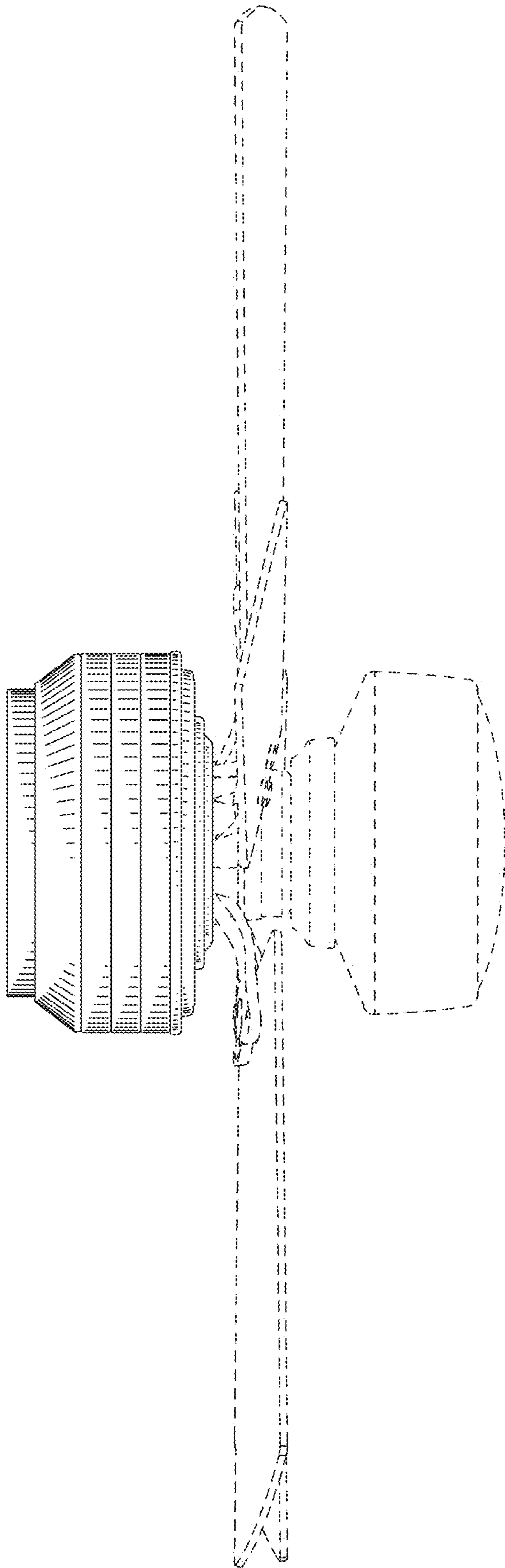


FIG. 5

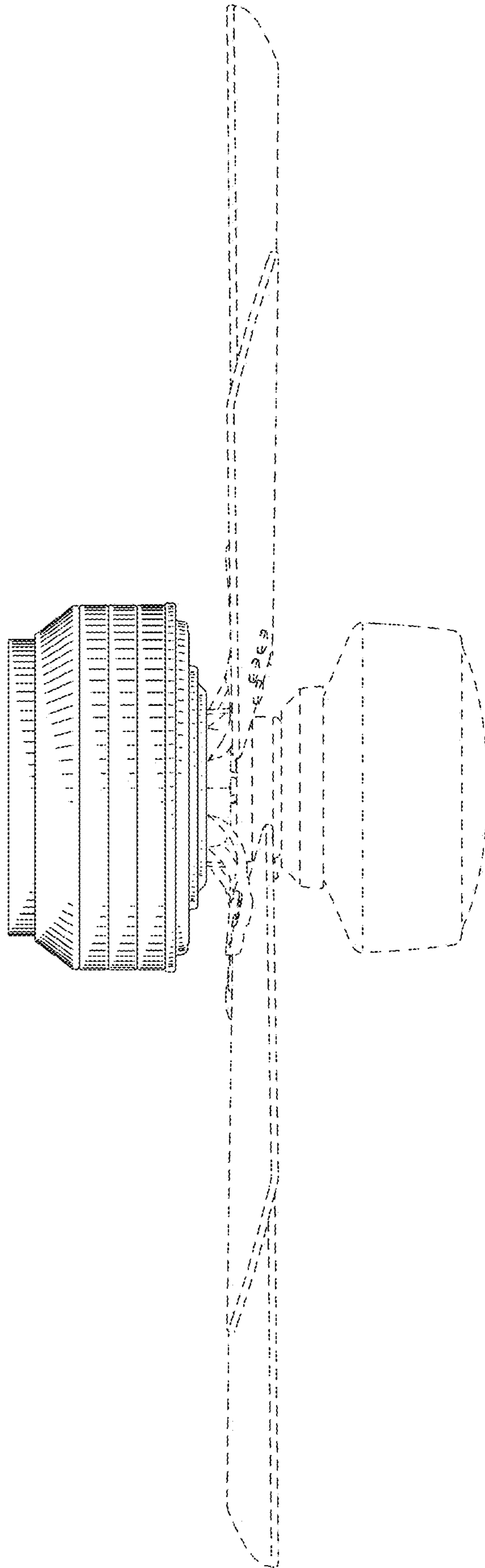


FIG. 6

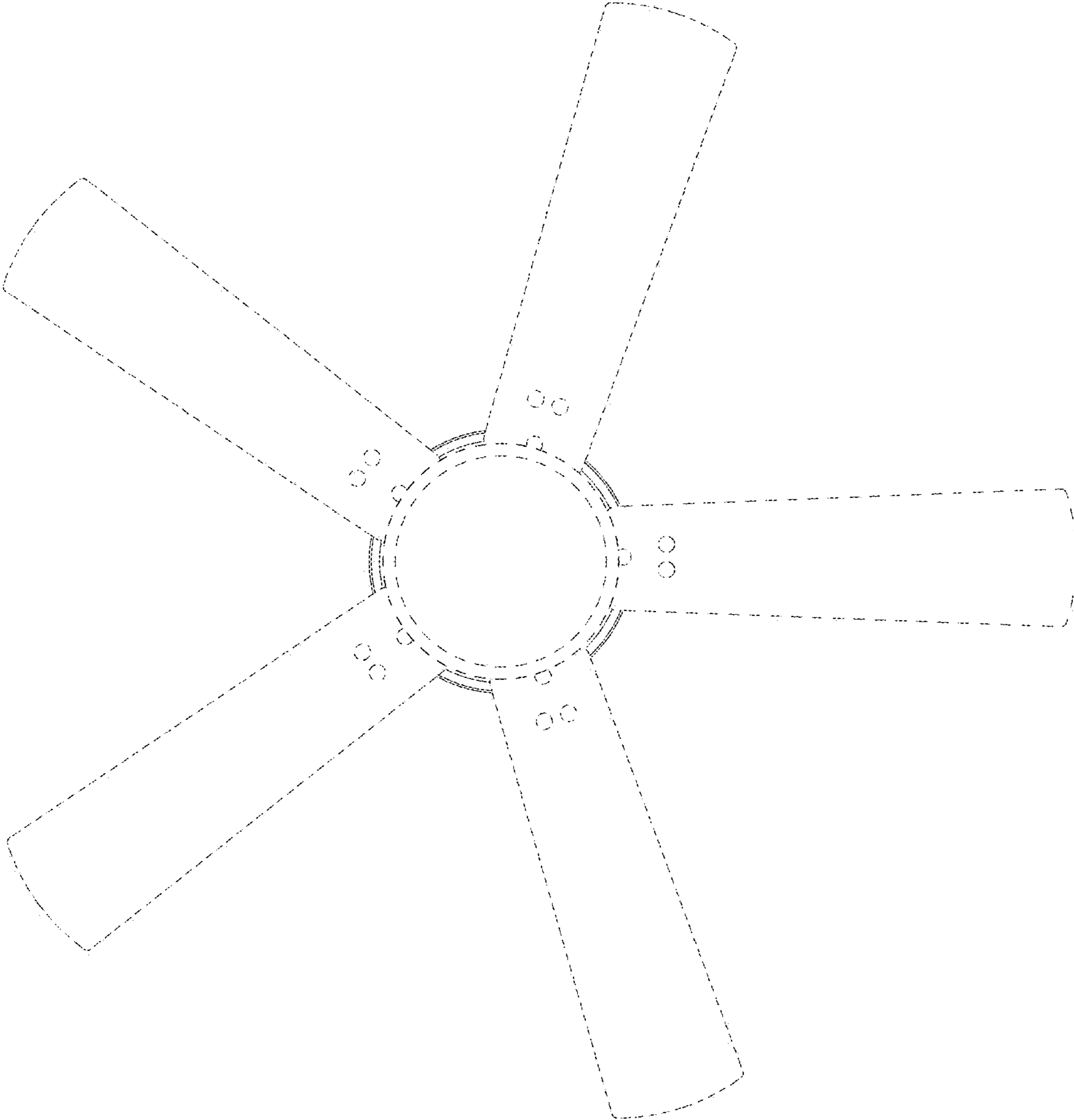


FIG. 7

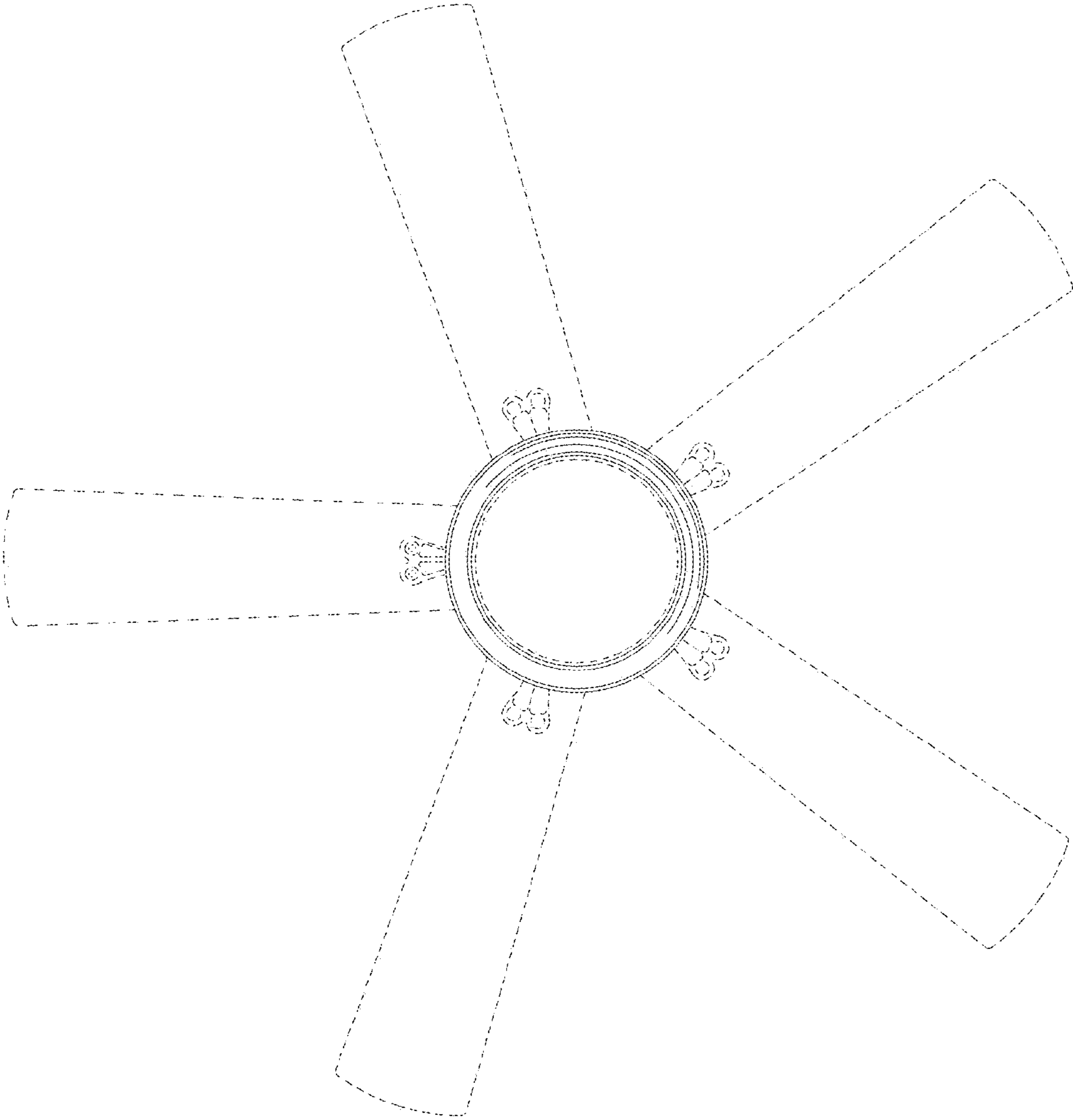


FIG. 8