



US00D956950S

(12) **United States Design Patent** (10) **Patent No.:** **US D956,950 S**
Dalton (45) **Date of Patent:** **** Jul. 5, 2022**

(54) **FAN**
(71) Applicant: **Delta T, LLC**, Lexington, KY (US)
(72) Inventor: **Daniel Patrick Dalton**, Lexington, KY (US)
(73) Assignee: **DELTA T, LLC**, Lexington, KY (US)
(**) Term: **15 Years**
(21) Appl. No.: **29/738,803**
(22) Filed: **Jun. 19, 2020**
(51) **LOC (13) Cl.** **23-03**
(52) **U.S. Cl.**
USPC **D23/411; D23/377**
(58) **Field of Classification Search**
USPC D23/370, 377, 379, 385, 411-414; D26/59
CPC F04D 25/088; F04D 29/38; F04D 29/384; F04D 29/386; F21V 33/0096
See application file for complete search history.

D783,883 S 4/2017 Cortez
D797,917 S 9/2017 Oleson et al.
D800,367 S 10/2017 Ladnier et al.
D808,004 S 1/2018 Noble et al.
D834,696 S * 11/2018 Schulzman D23/377
D837,361 S * 1/2019 Qing D23/385
D856,503 S * 8/2019 Santolucito F04D 29/388
D23/377
D894,364 S * 8/2020 Schulzman D23/377
D898,182 S * 10/2020 Zhang D23/411
2019/0390684 A1 * 12/2019 Horng F04D 25/088

* cited by examiner

Primary Examiner — Sharon S Oum

(74) Attorney, Agent, or Firm — Dickinson Wright PLLC; Andrew D. Dorisio

(57) **CLAIM**

The ornamental design for a fan, as shown and described.

DESCRIPTION

FIG. 1 is a bottom perspective view of our design for a fan; FIG. 2 is a top perspective view of the fan; FIG. 3 is a front view of the fan, the rear view being a mirror image thereof; FIG. 4 is a left side view of the fan, the right side view being a mirror image thereof; FIG. 5 is a top view of the fan; FIG. 6 is a bottom view of the fan; and, FIG. 7 is an enlarged partial view of the area indicated in FIG. 6.

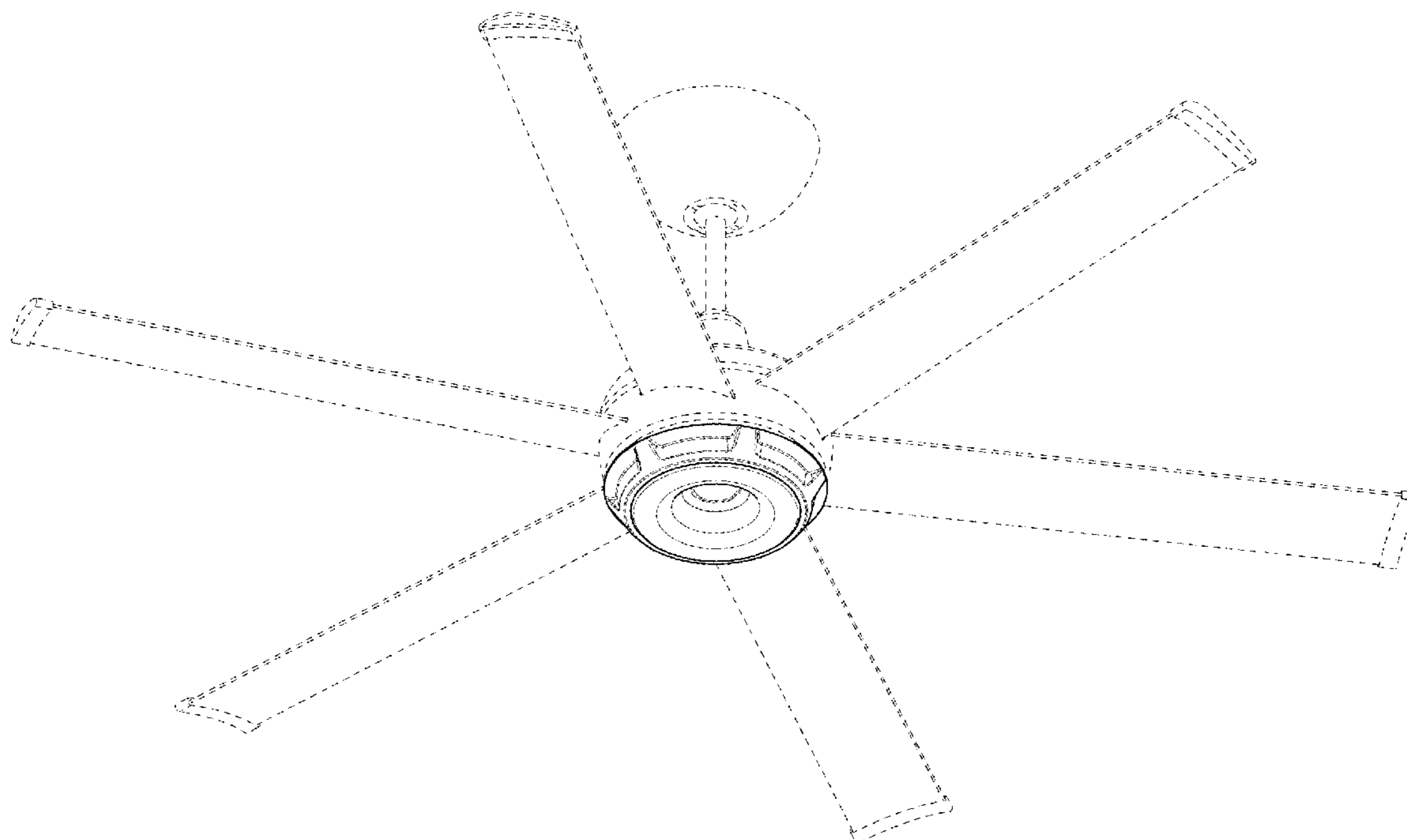
The dash-dash broken line depictions of portions of the fan form no part of the claimed design. The dot-dash broken lines encircling portions of the fan in FIG. 6 and FIG. 7 form no part of the claimed design.

1 Claim, 7 Drawing Sheets

(56) **References Cited**

U.S. PATENT DOCUMENTS

D504,173 S * 4/2005 Cohen D23/411
D529,601 S * 10/2006 Shurtleff D23/411
D541,930 S * 5/2007 Pickett D23/411
D603,498 S * 11/2009 Pickett D23/411
D612,476 S 3/2010 Noble
D692,120 S 10/2013 Noble et al.
D705,975 S 5/2014 Hedstrom et al.
D705,976 S 5/2014 Hedstrom et al.
D706,480 S 6/2014 Hedstrom et al.
D765,299 S 8/2016 Ladnier
D770,027 S 10/2016 Noble et al.



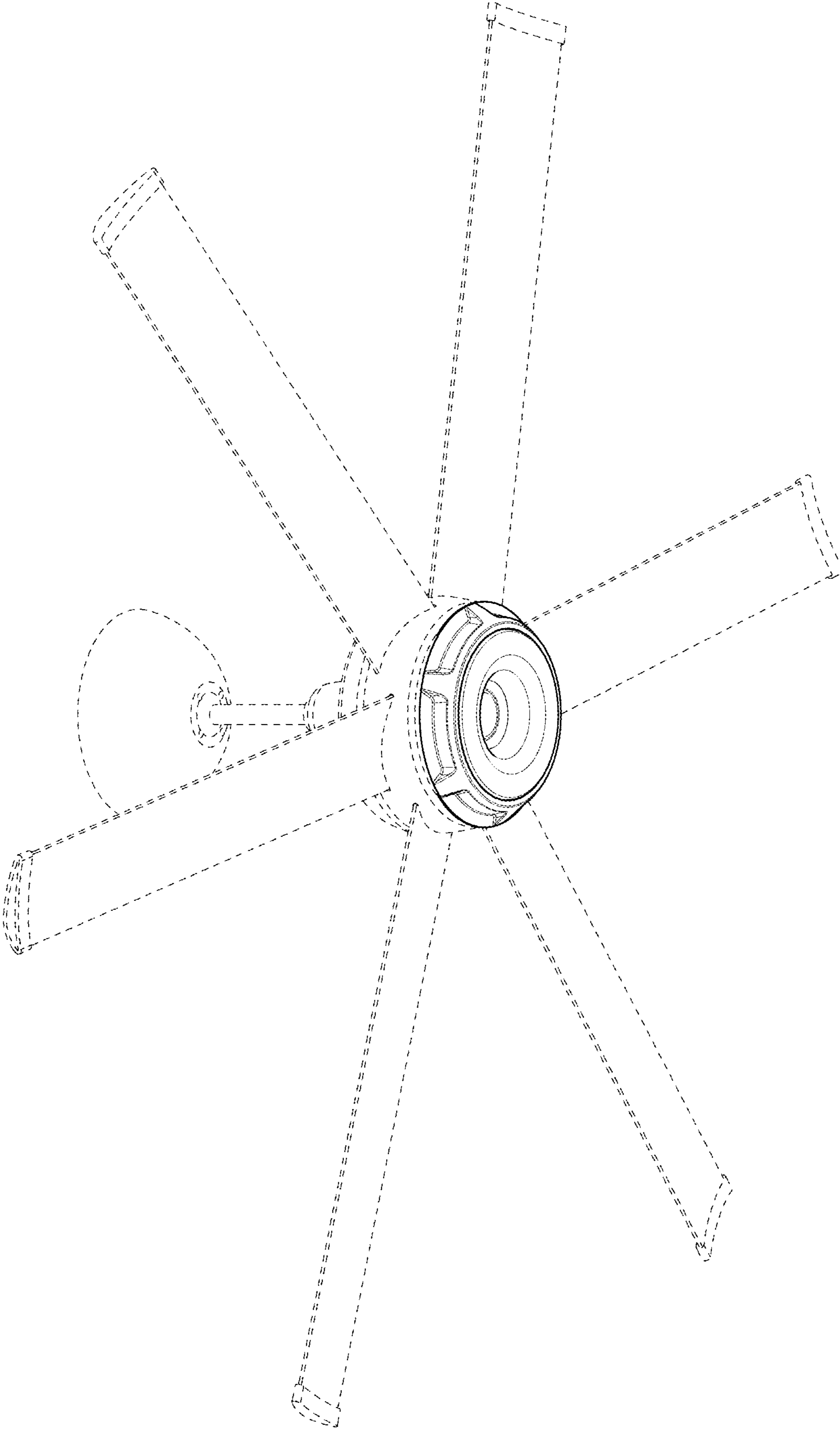


FIG. 1

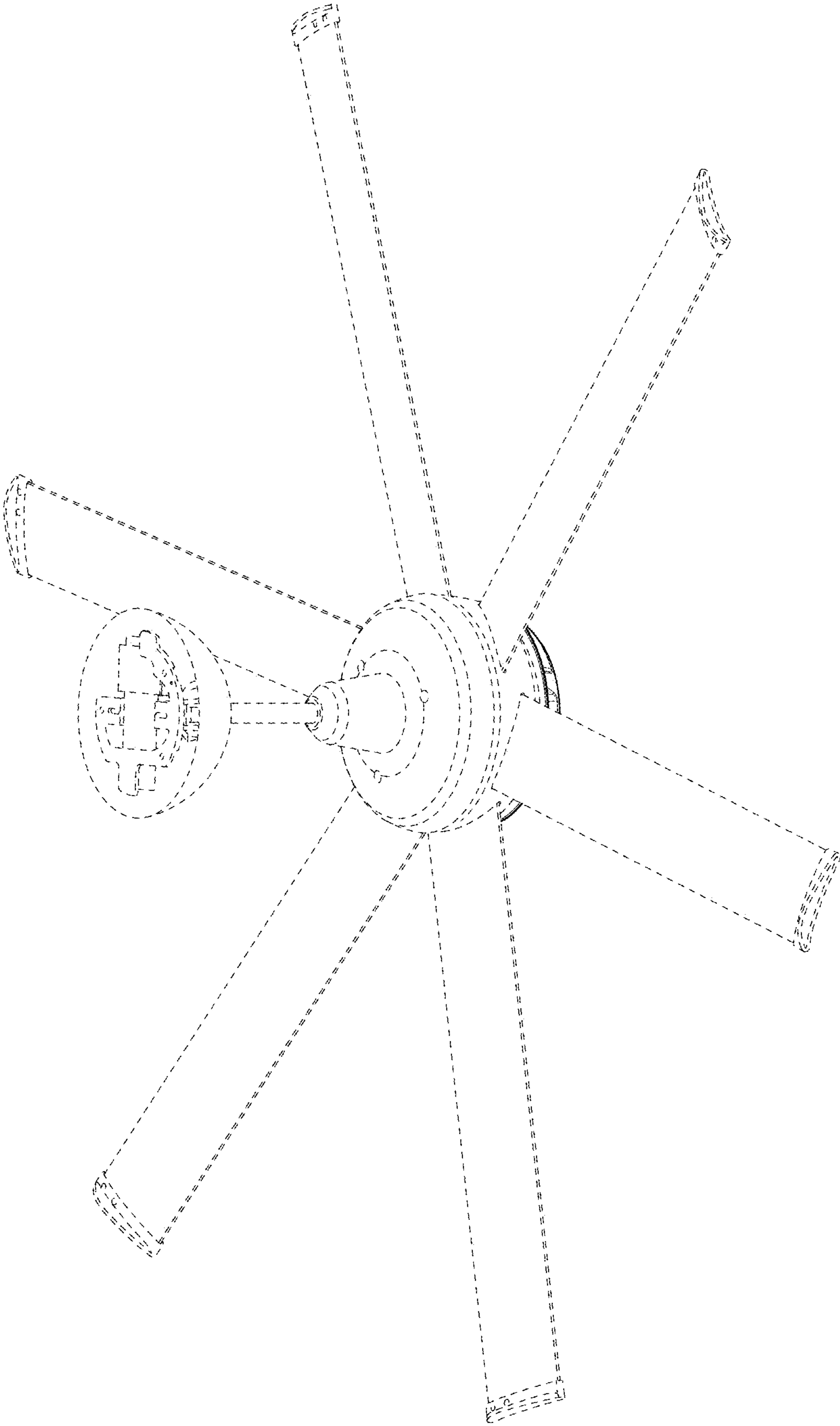


FIG. 2

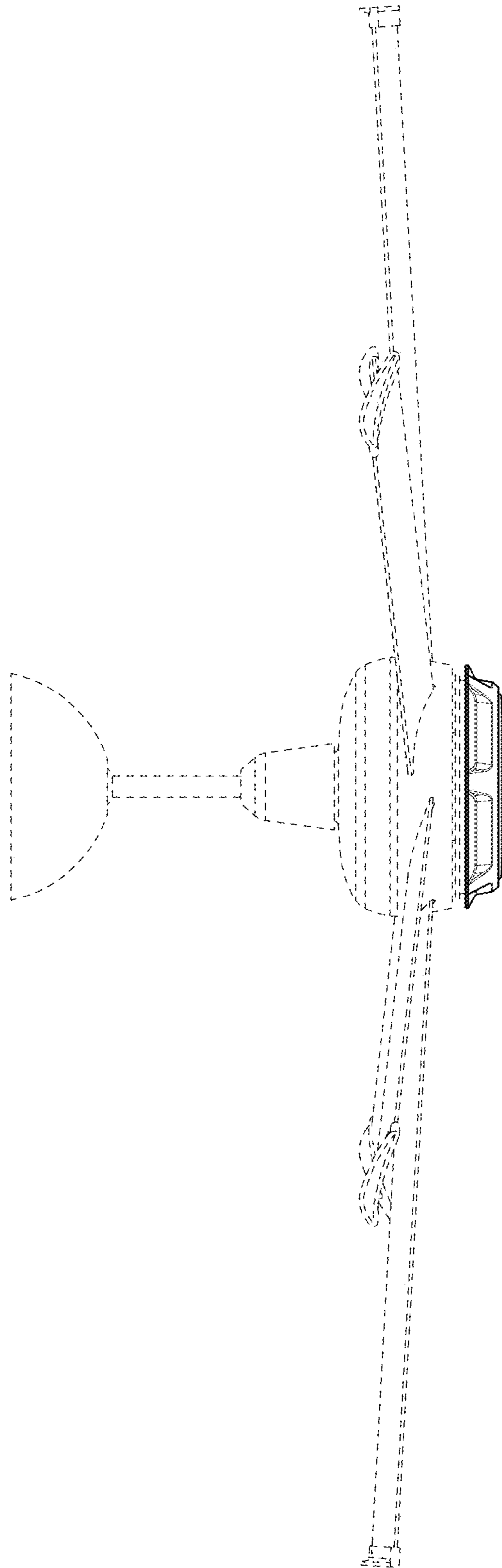


FIG. 3

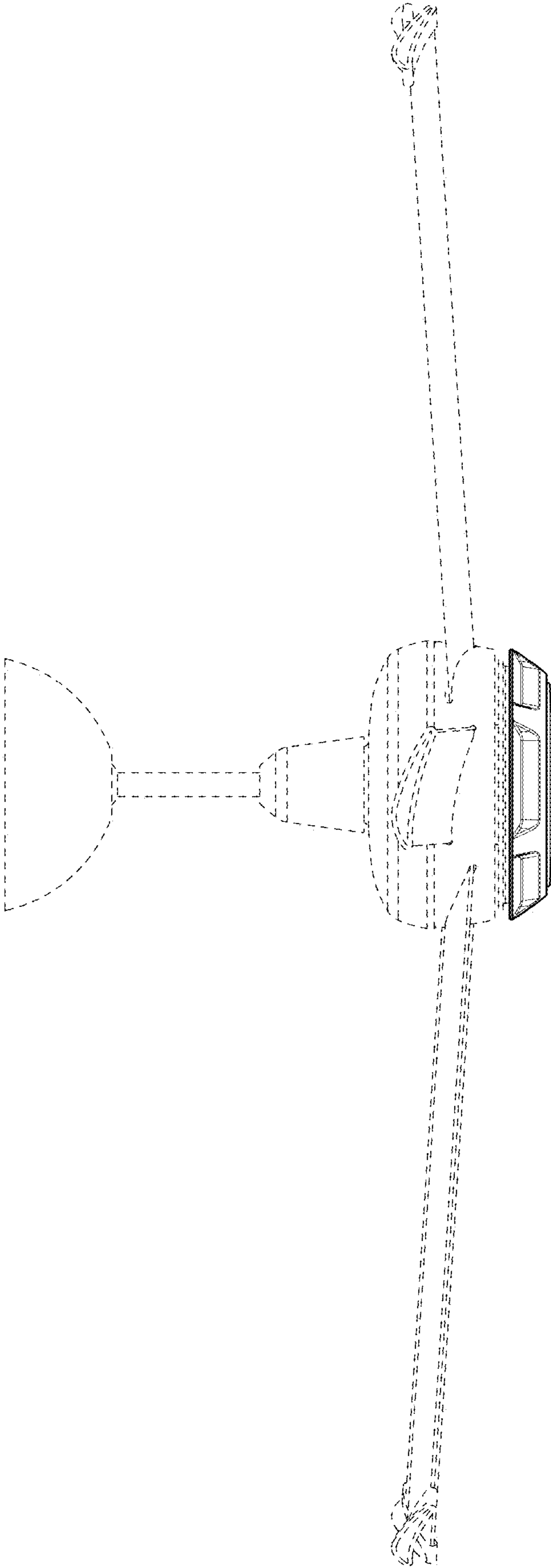


FIG. 4

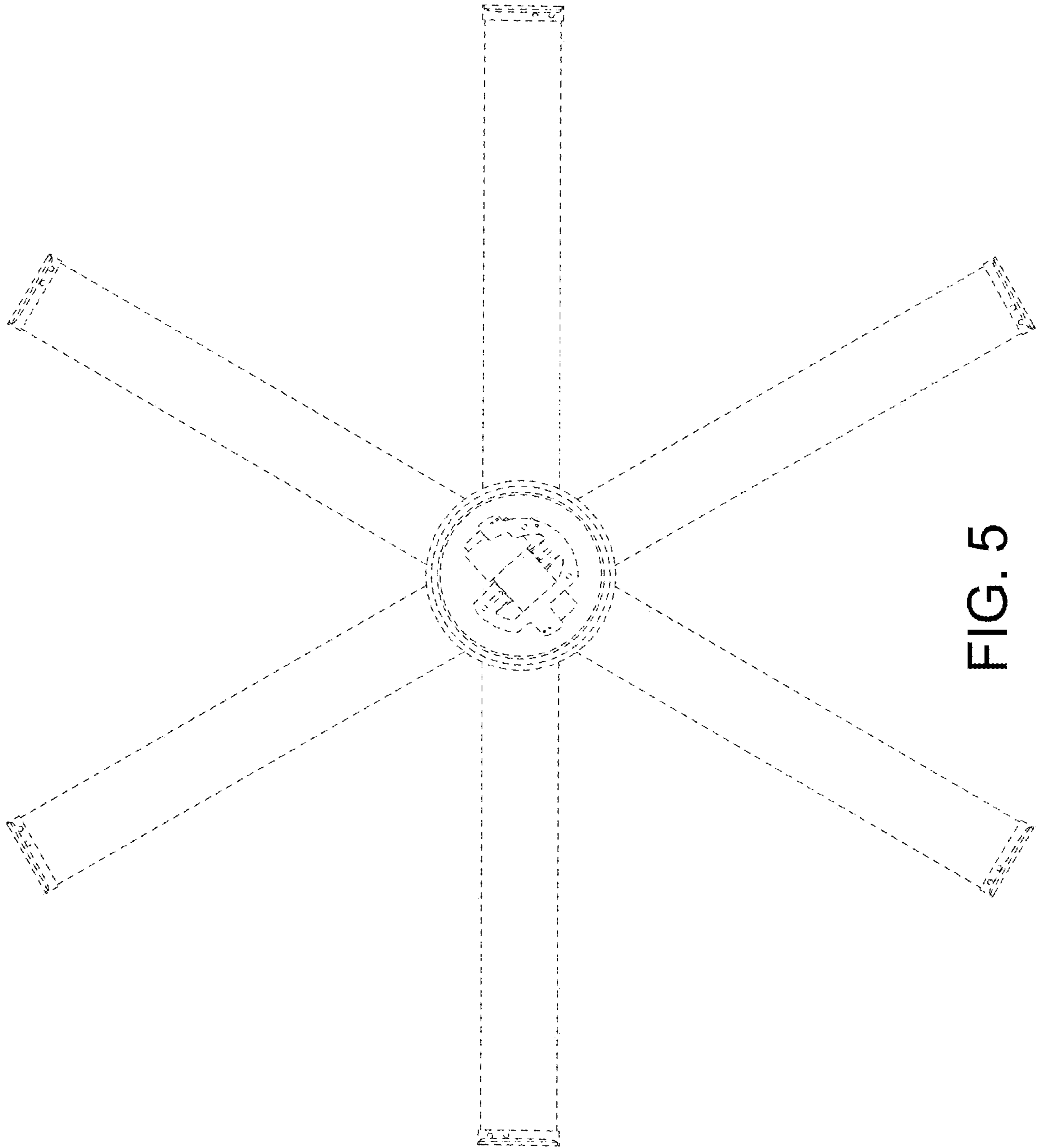


FIG. 5

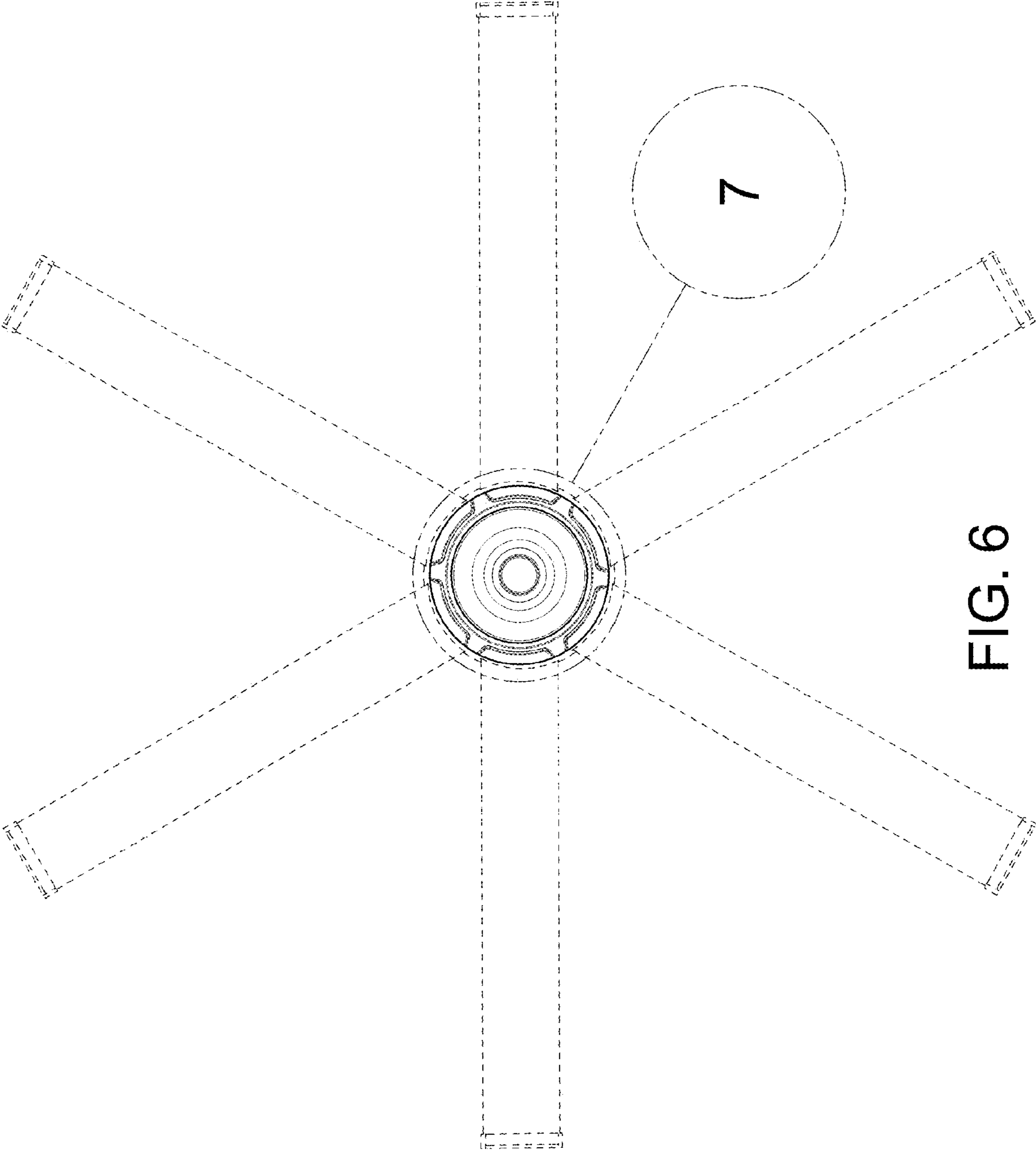


FIG. 6

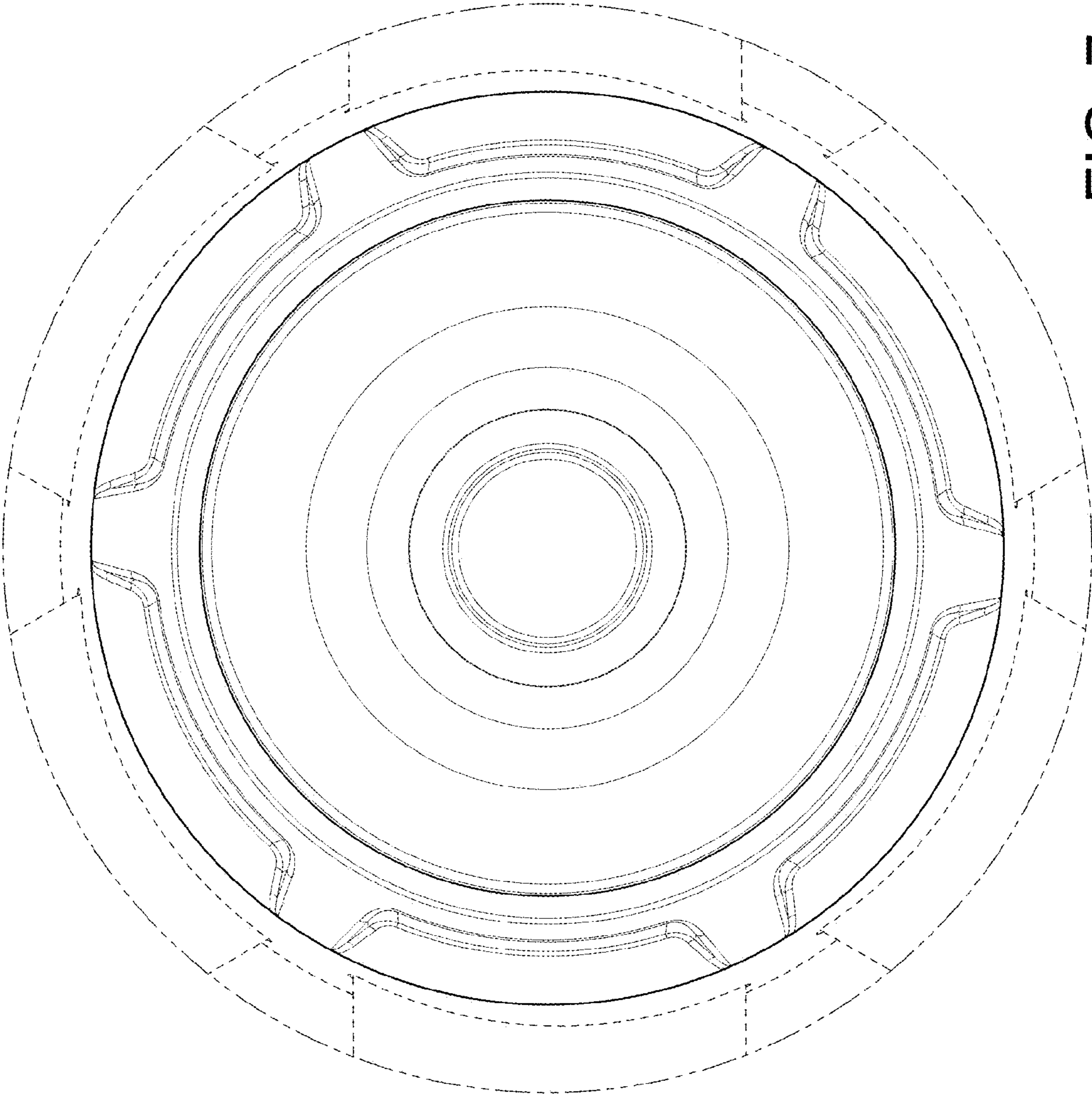


FIG. 7