



US00D956948S

(12) **United States Design Patent** (10) **Patent No.:** **US D956,948 S**  
**Lin** (45) **Date of Patent:** **\*\* Jul. 5, 2022**

(54) **FIREWOOD RACK**

- (71) Applicant: **Qiang Lin**, Fujian Province (CN)
- (72) Inventor: **Qiang Lin**, Fujian Province (CN)
- (\*\*) Term: **15 Years**
- (21) Appl. No.: **29/772,958**
- (22) Filed: **Mar. 5, 2021**
- (51) **LOC (13) Cl.** ..... **23-03**
- (52) **U.S. Cl.**  
USPC ..... **D23/410**
- (58) **Field of Classification Search**  
USPC ..... D23/398, 403, 407, 408, 410; D6/681.1  
CPC ..... F23B 1/191; F23B 1/193; F24B 15/00;  
A47B 81/007  
See application file for complete search history.

(56) **References Cited**

**U.S. PATENT DOCUMENTS**

3,187,901	A *	6/1965	Wilson	.....	F24B 15/00 211/49.1
3,559,812	A *	2/1971	Wolf	.....	A47B 81/007 211/60.1
D225,637	S *	12/1972	Schmitt	.....	D23/398
D243,504	S *	3/1977	Morrison	.....	D23/410
4,131,108	A *	12/1978	Bauder	.....	F24B 1/193 126/298
D289,080	S *	3/1987	Einsel	.....	D23/410
D335,404	S *	5/1993	Fleury	.....	D23/410
D340,973	S *	11/1993	Wilkening	.....	D23/398
D364,516	S *	11/1995	Helenowski	.....	D6/681.1
6,290,073	B1 *	9/2001	Barnes, Sr.	.....	F24B 15/00 211/175
D642,671	S *	8/2011	Alexander	.....	D23/410
D643,662	S *	8/2011	Goodman et al.	.....	
D713,520	S *	9/2014	Alexander	.....	D23/410
D713,955	S *	9/2014	Hester	.....	D23/410

**OTHER PUBLICATIONS**

Firewood Rack, Sep. 1, 2020, Amazon, site visited Jan. 5, 2022: <https://www.amazon.com/dp/B08H4LYVSC/> (Year: 2020).\*

Sunnydaze Firewood Rack, Feb. 26, 2016, Amazon, site visited Jan. 5, 2022: <https://www.amazon.com/dp/B01C9BKX2C/> (Year: 2016).\*

Phi Villa Decorative Firewood Rack, Jun. 25, 2019, Amazon, site visited Jan. 5, 2022: <https://www.amazon.com/dp/B07TGHQ3J7/> (Year: 2019).\*

\* cited by examiner

*Primary Examiner* — Jack Reickel  
*Assistant Examiner* — Bobby W Jones, II

(57) **CLAIM**

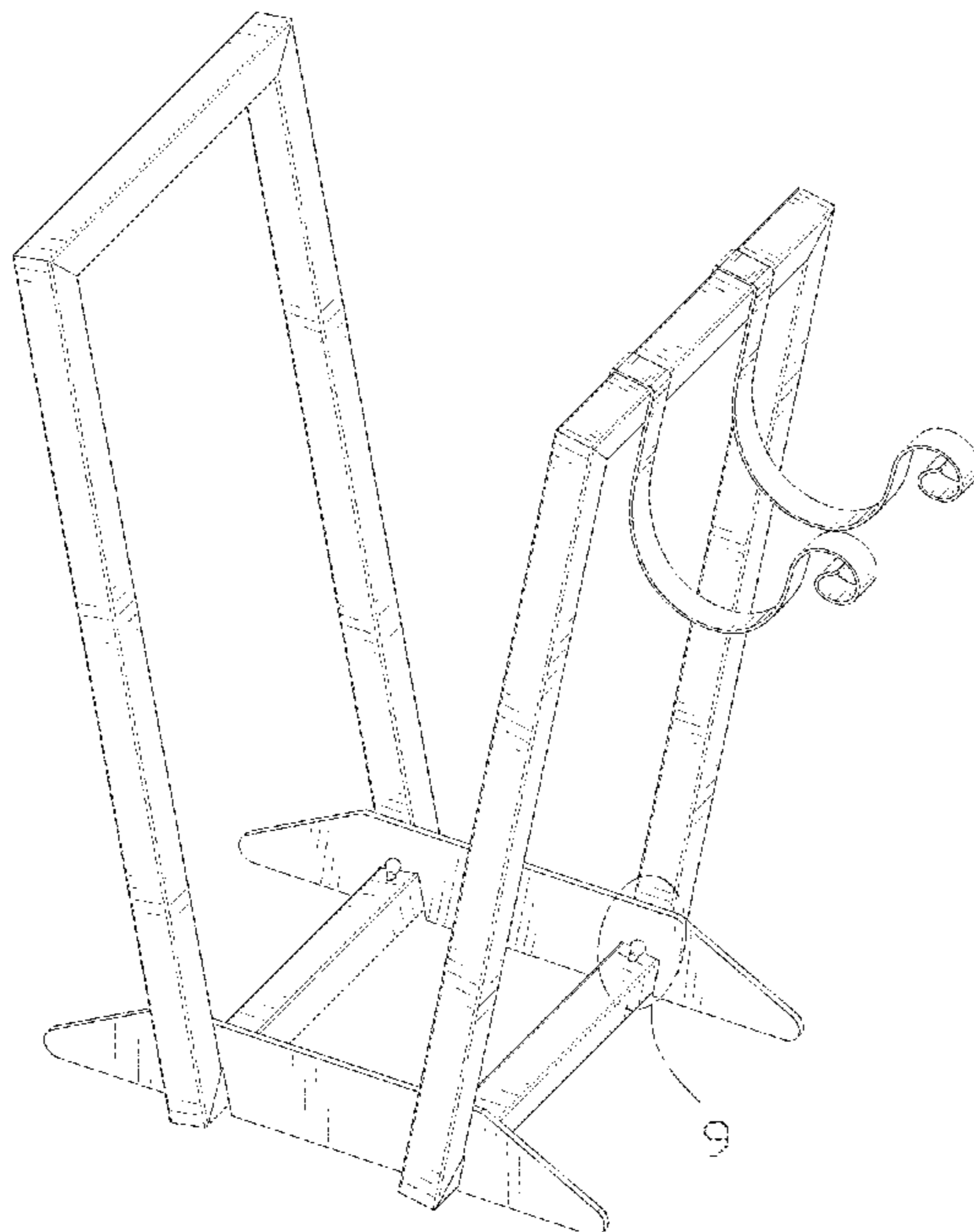
The ornamental design for a firewood rack, as shown and described.

**DESCRIPTION**

FIG. 1 is a front and top perspective view of a firewood rack, showing my new design;  
FIG. 2 is a rear and bottom perspective view thereof;  
FIG. 3 is a front elevation view thereof;  
FIG. 4 is a rear elevation view thereof;  
FIG. 5 is a left side elevation view thereof;  
FIG. 6 is a right side elevation view thereof;  
FIG. 7 is a top plan view thereof;  
FIG. 8 is a bottom plan view thereof; and,  
FIG. 9 is an enlarged view of a portion labeled, '9' in FIG. 1.

The dash dot dash lines in FIGS. 1 and 9 are for the purpose of depicting the cut line of the enlarged view and form no part of the claim.

**1 Claim, 9 Drawing Sheets**



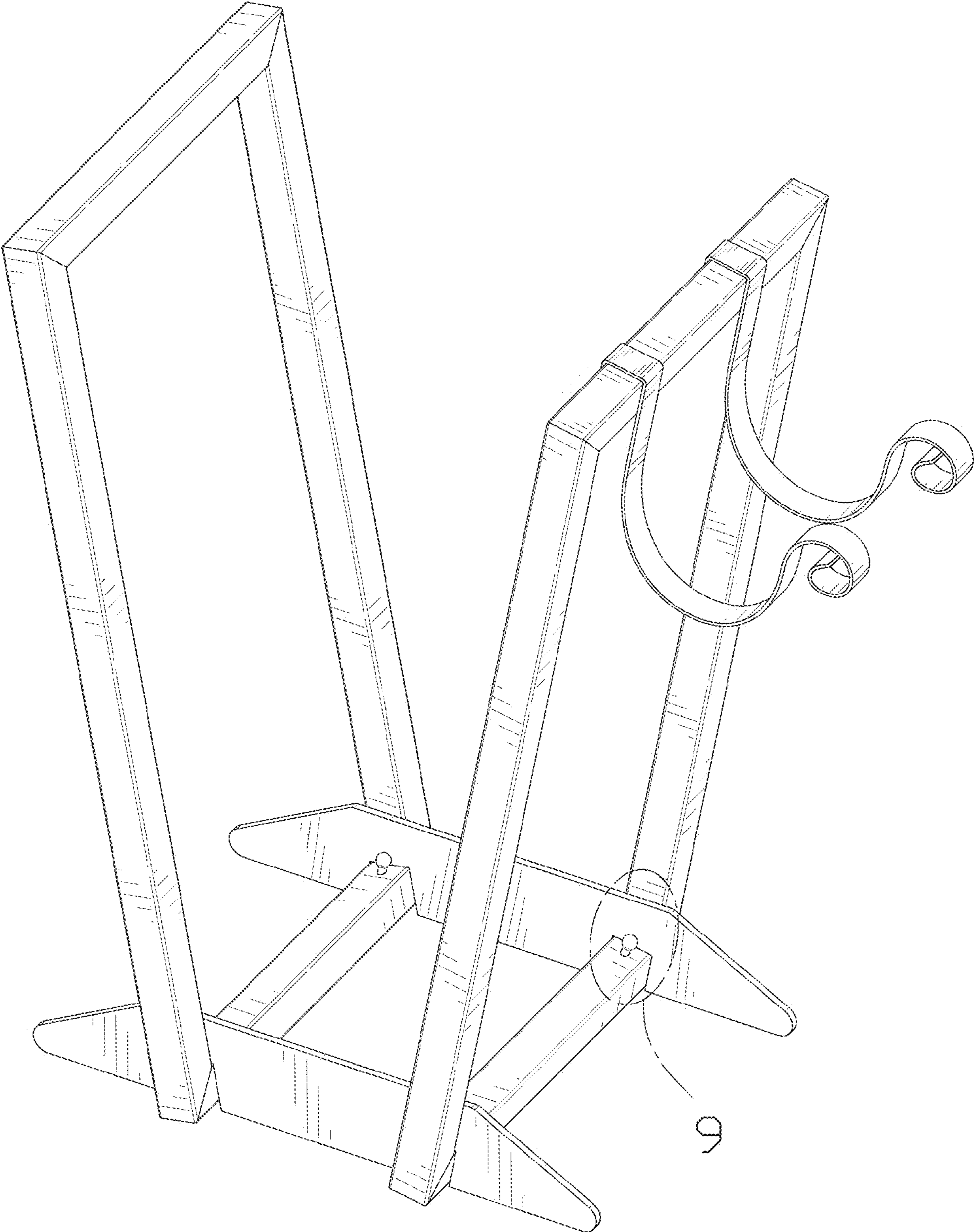


FIG. 1

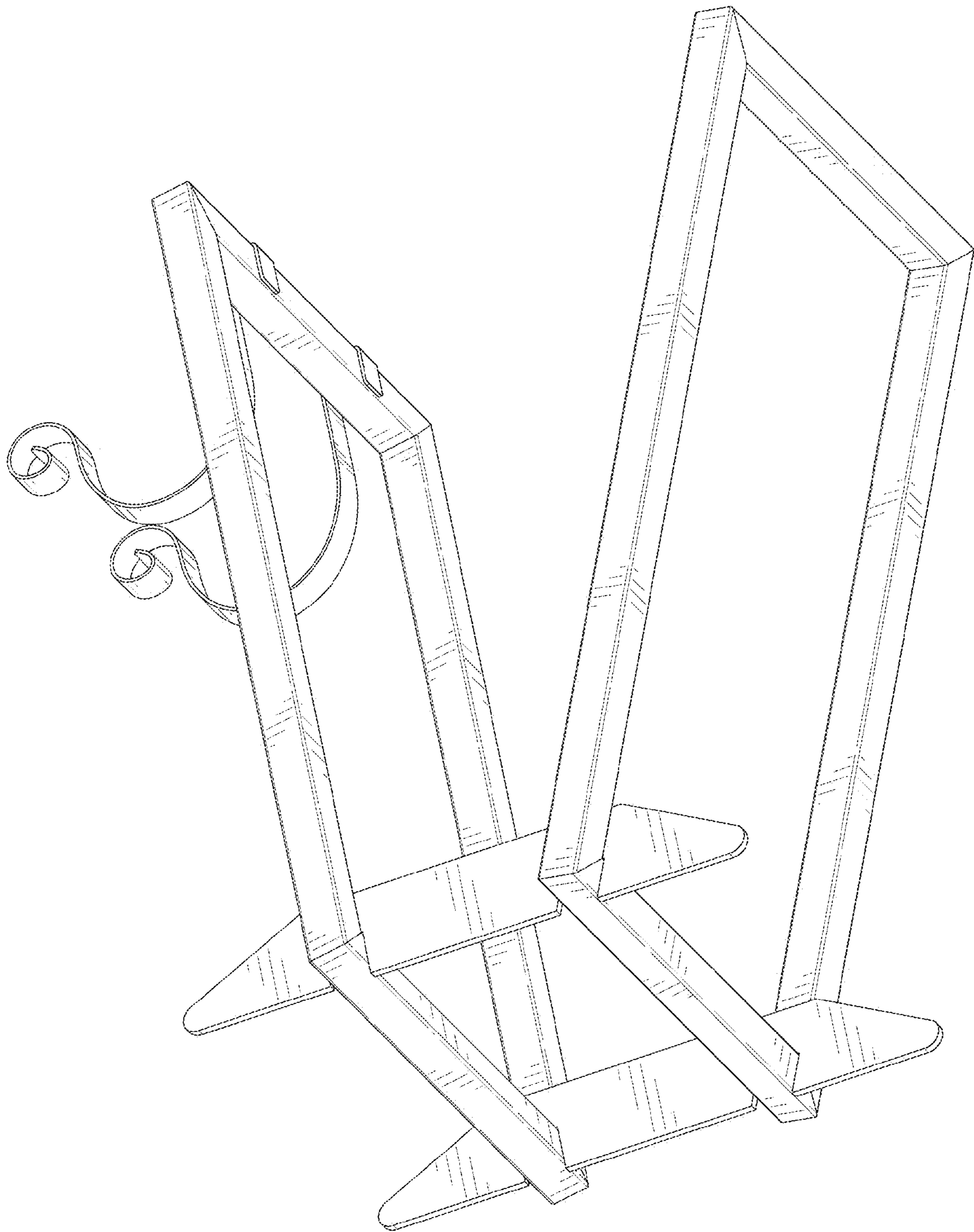


FIG. 2

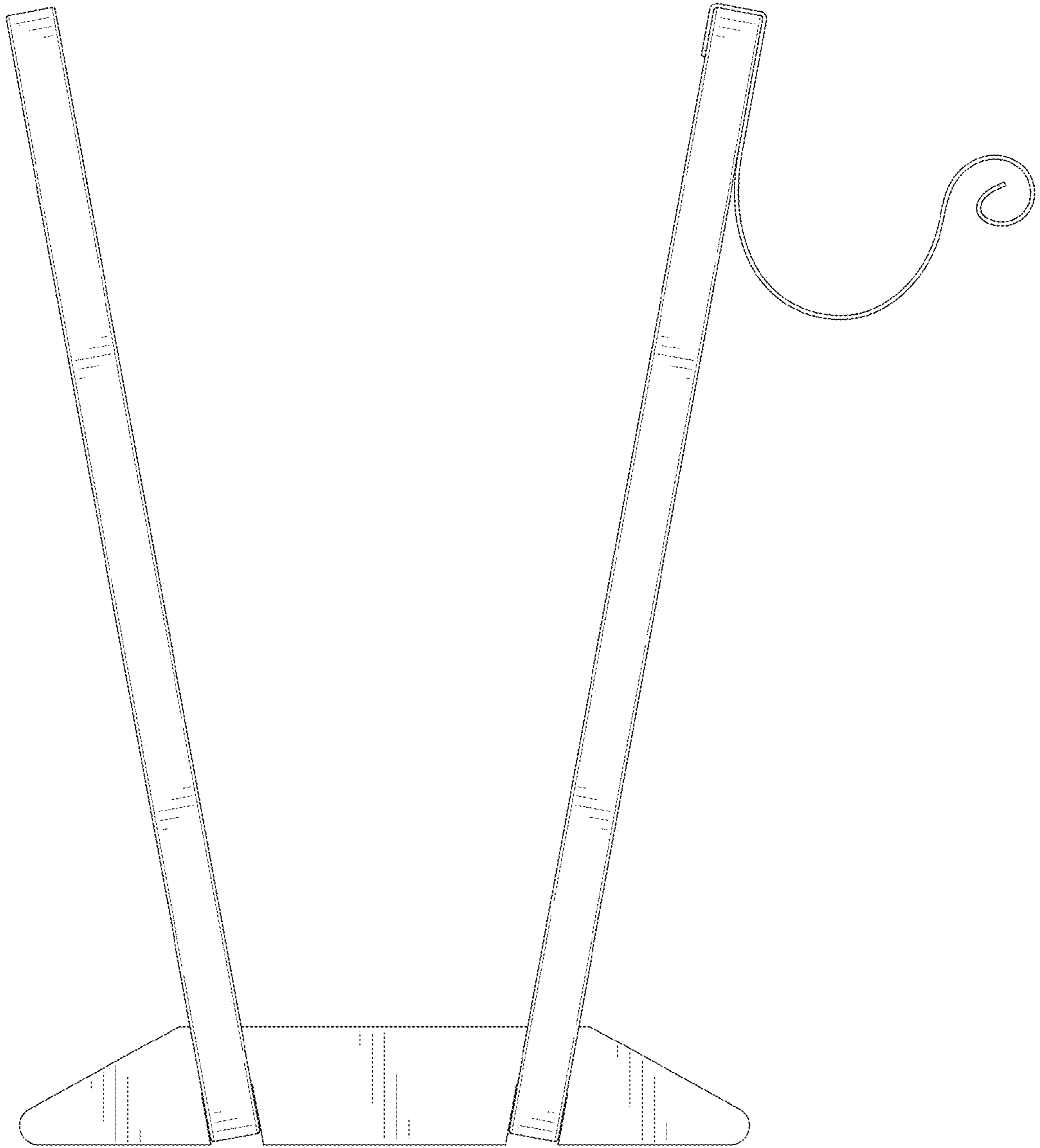


FIG. 3

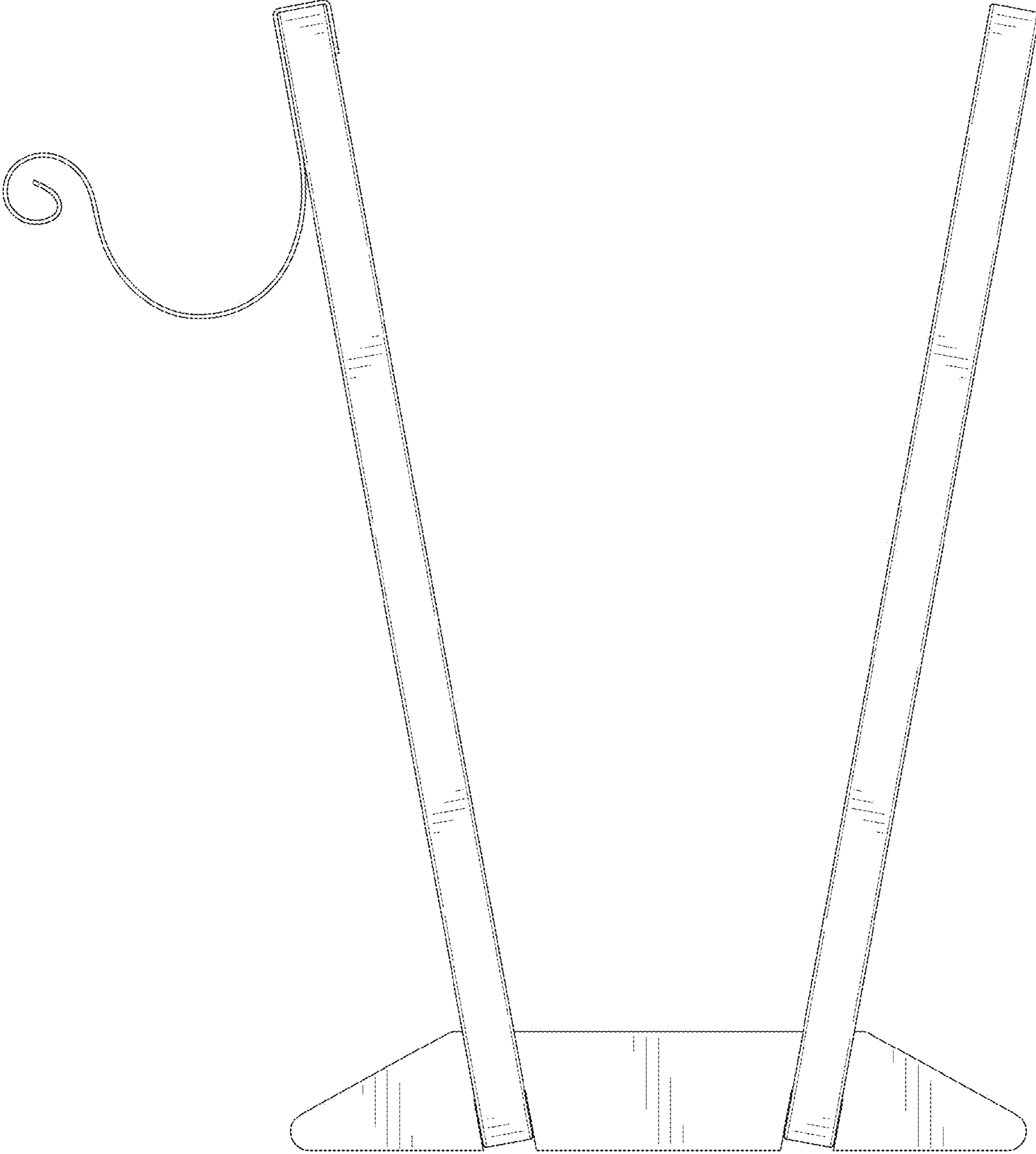


FIG. 4

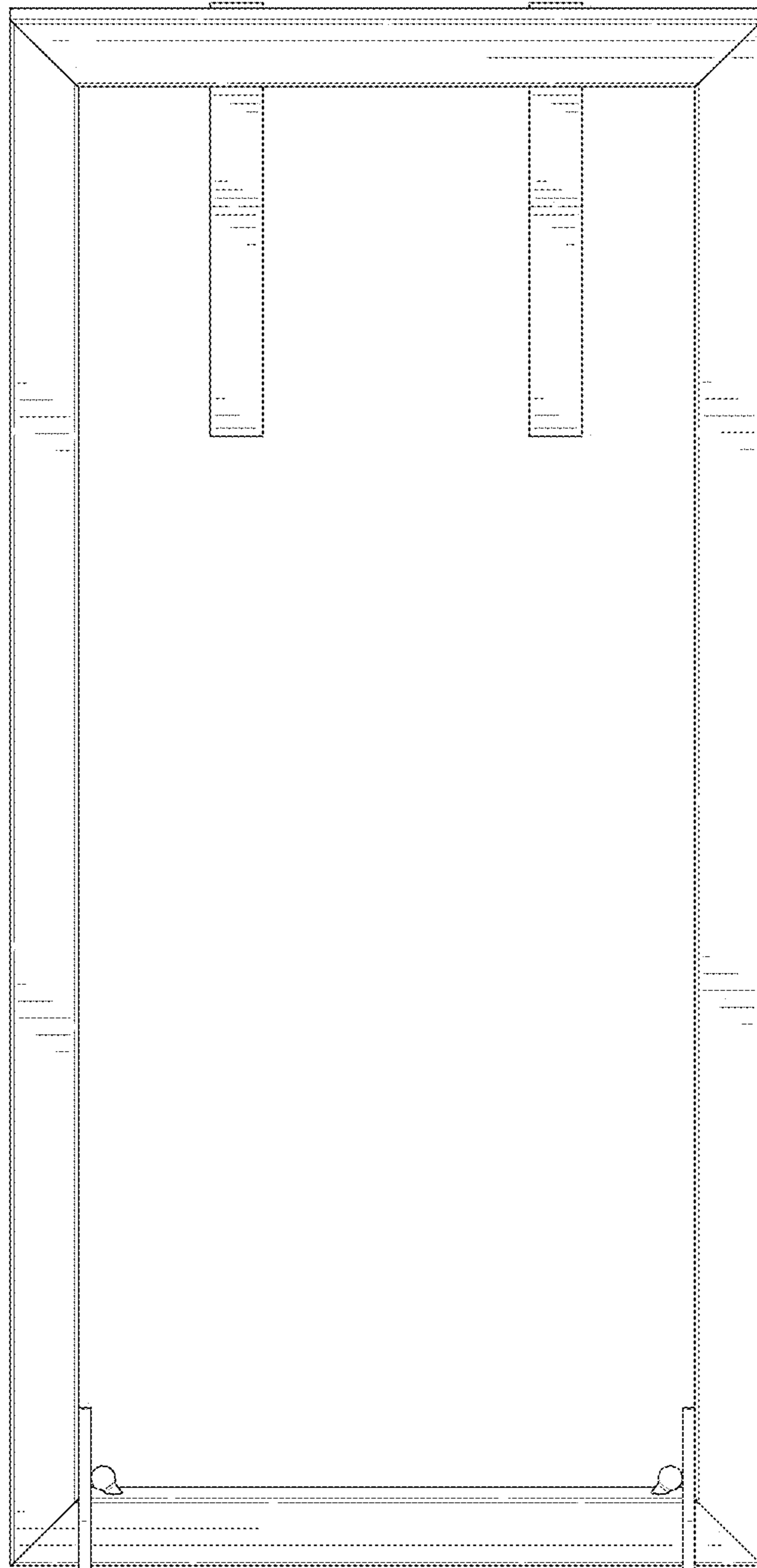


FIG. 5

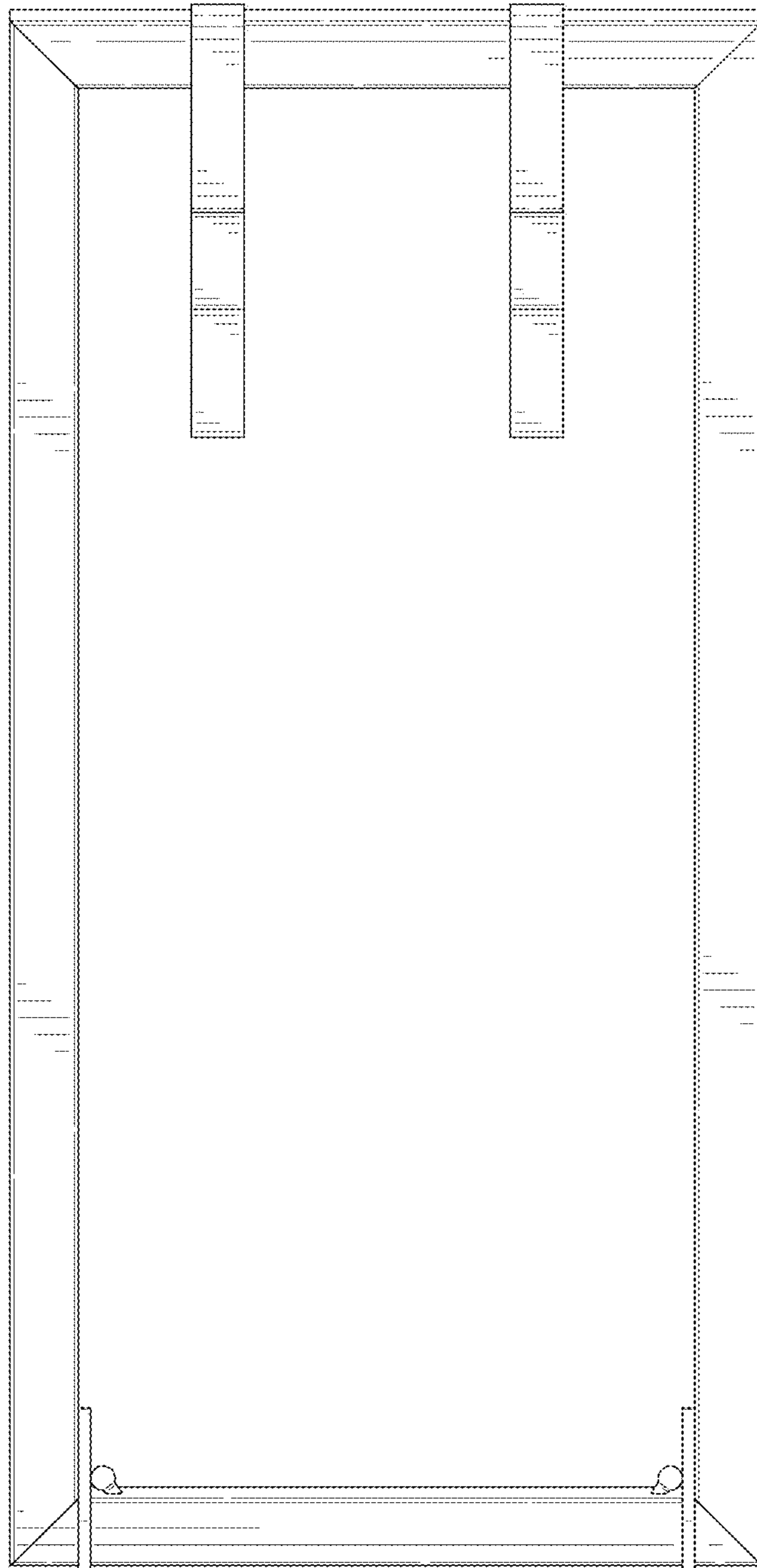


FIG. 6

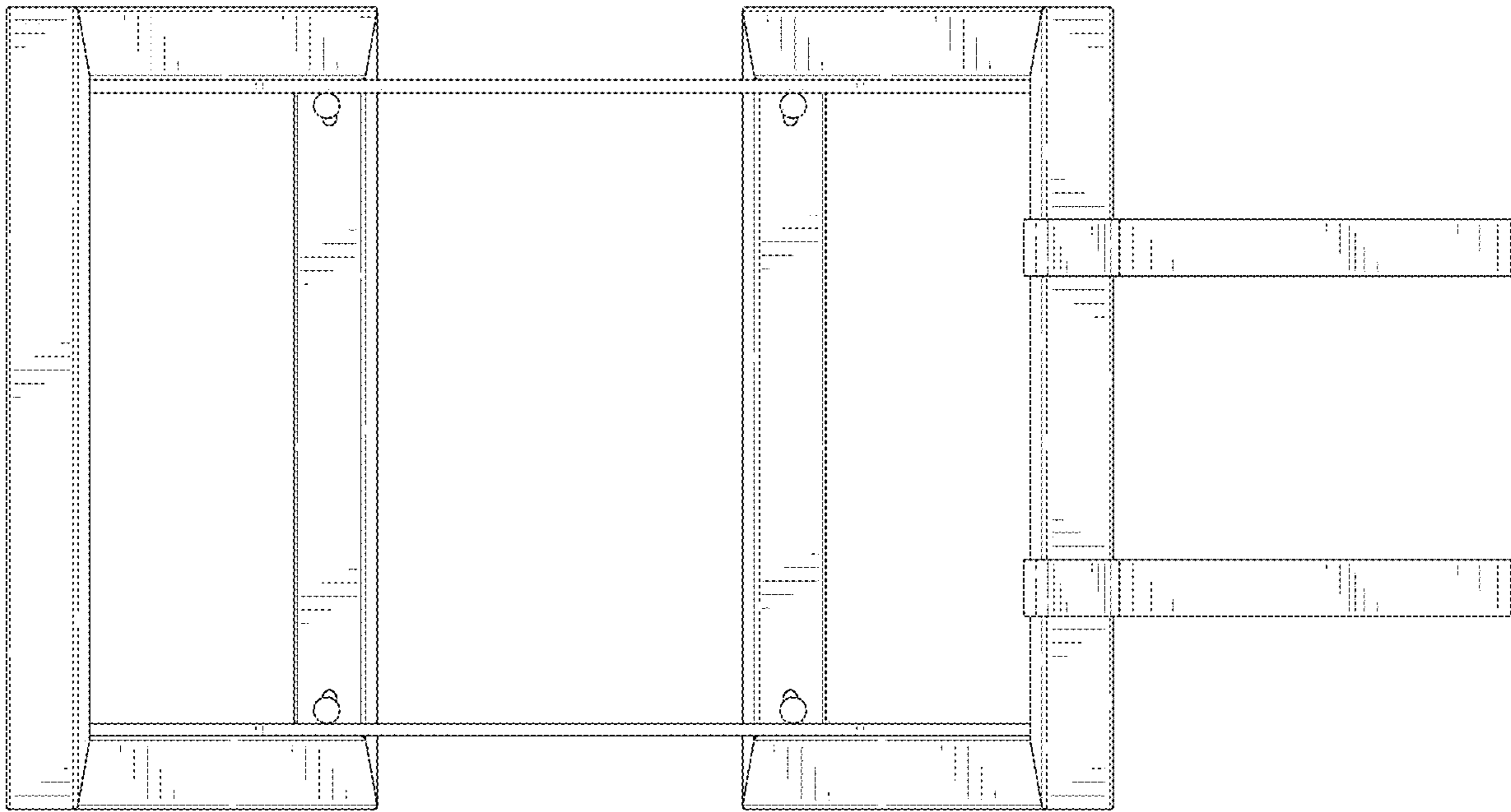


FIG. 7



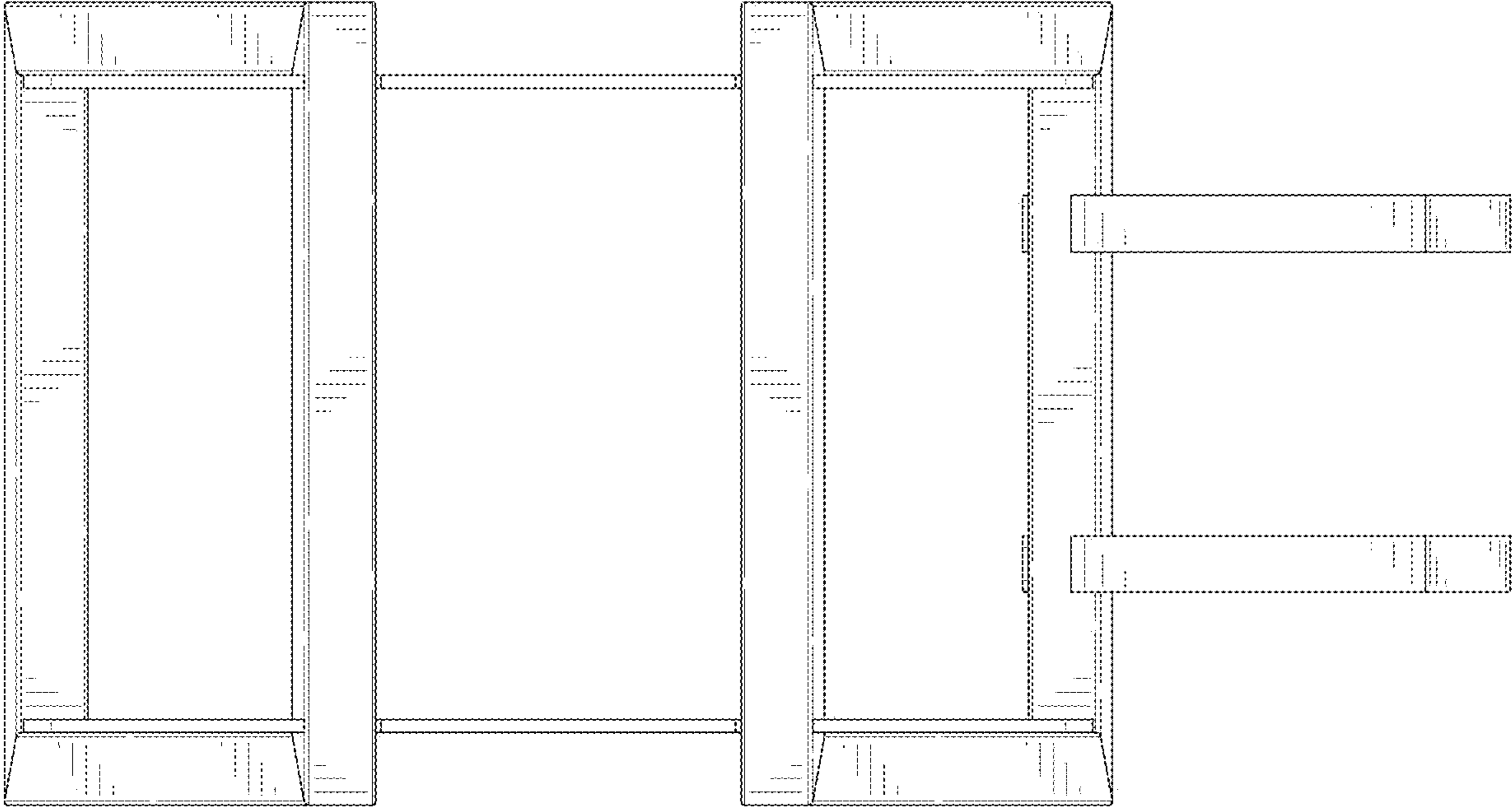


FIG. 8

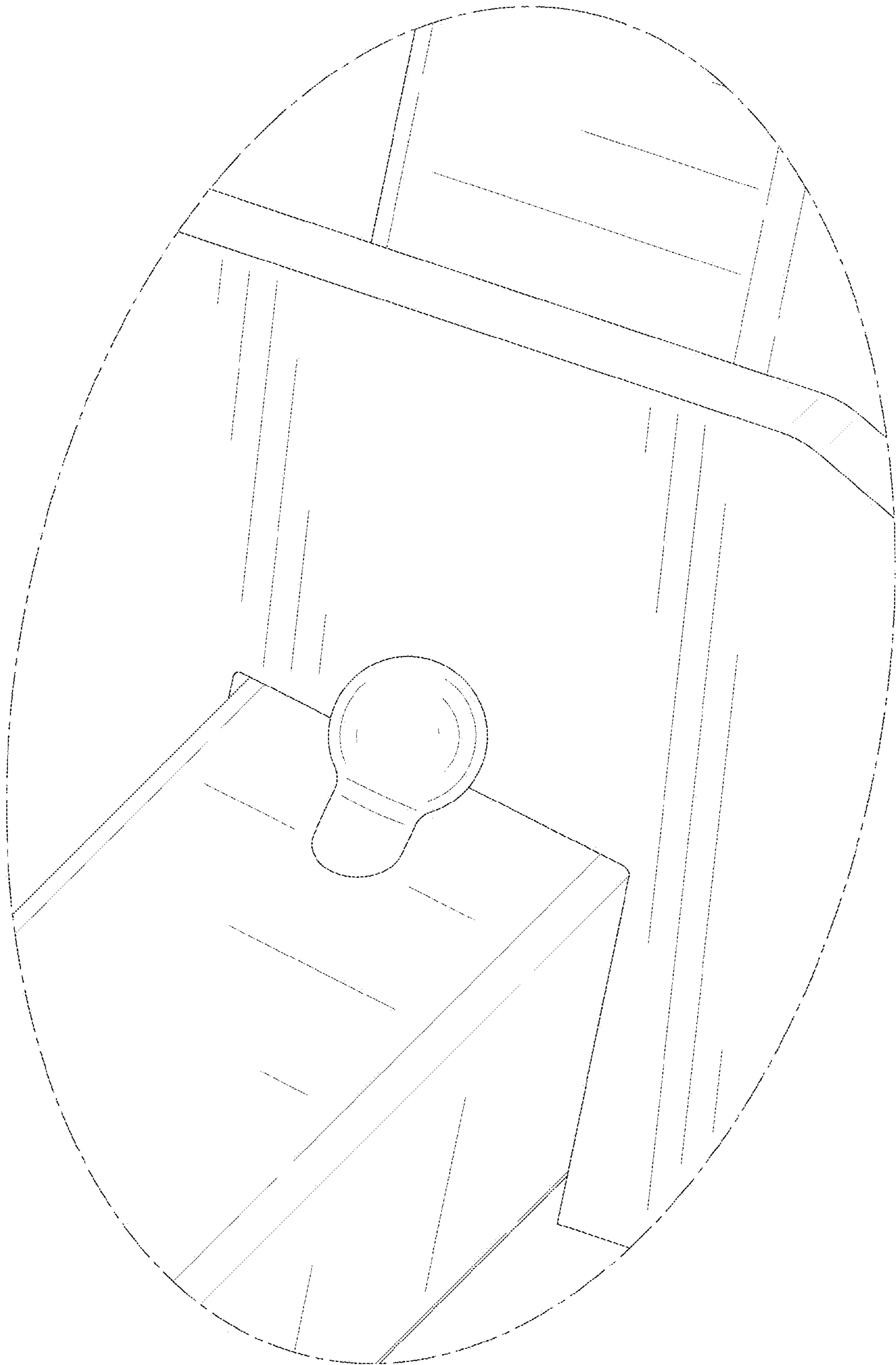


FIG. 9