



US00D956947S

(12) **United States Design Patent** (10) **Patent No.:** **US D956,947 S**
Lu (45) **Date of Patent:** **** Jul. 5, 2022**

(54) **TELESCOPIC HUMIDIFYING FAN**

11,092,279 B2 * 8/2021 Chen F16M 11/10
2020/0240578 A1 * 7/2020 Chen F16M 11/2014
2021/0079931 A1 * 3/2021 Hu F04D 25/0673

(71) Applicant: **Hefei Tuotu Network Technology Co., Ltd.**, Hefei (CN)

(72) Inventor: **Yu Lu**, Hefei (CN)

(73) Assignee: **HEFEI TUOTU NETWORK TECHNOLOGY CO., LTD.**, Hefei (CN)

(**) Term: **15 Years**

(21) Appl. No.: **29/731,677**

(22) Filed: **Apr. 17, 2020**

(51) **LOC (13) Cl.** **23-04**

(52) **U.S. Cl.**
USPC **D23/382; D23/356**

(58) **Field of Classification Search**
USPC D23/200, 223, 228, 314, 328, 332, 333,
D23/335, 336, 337, 351, 355, 356, 370,
D23/371, 378-380, 381, 382, 383,
D23/411-412
CPC F04D 25/0673; F04D 25/08; F04D 25/084;
F04D 29/4226

See application file for complete search history.

(56) **References Cited**

U.S. PATENT DOCUMENTS

D674,476 S *	1/2013	Junkel	D23/370
D824,012 S *	7/2018	Xu	D23/382
D827,121 S *	8/2018	Wang	D23/378
D855,171 S *	7/2019	Xu	D23/382
D881,371 S *	4/2020	Hollinger	D23/382
D884,146 S *	5/2020	Hollinger	D23/382
D890,324 S *	7/2020	Xu	D23/382
D898,180 S *	10/2020	Du	D23/382
D905,843 S *	12/2020	Chen	D23/382

OTHER PUBLICATIONS

Portable Fan Folding Mistng Fan, first available Jun. 1, 2020, site visited May 19, 2021, <https://www.amazon.com/Portable-Taipow-Standing-Rechargeable-Humidifying/dp/B089K74LGZ/ref=asc_df_B089K74LGZ/?tag=hyprod-20&linkCode=df0&hvadid=459497535288&hvpos=&hvnetw=g&hvrnd=87665685724556014&hvpon=&hvptwo=&hvqmt=&hvdev=c&hvdvcmdl=&hvlocint=&hvlocphy=9008148&hvtargid=pla-942568955893&th=1>.*

* cited by examiner

Primary Examiner — Sharon S Oum

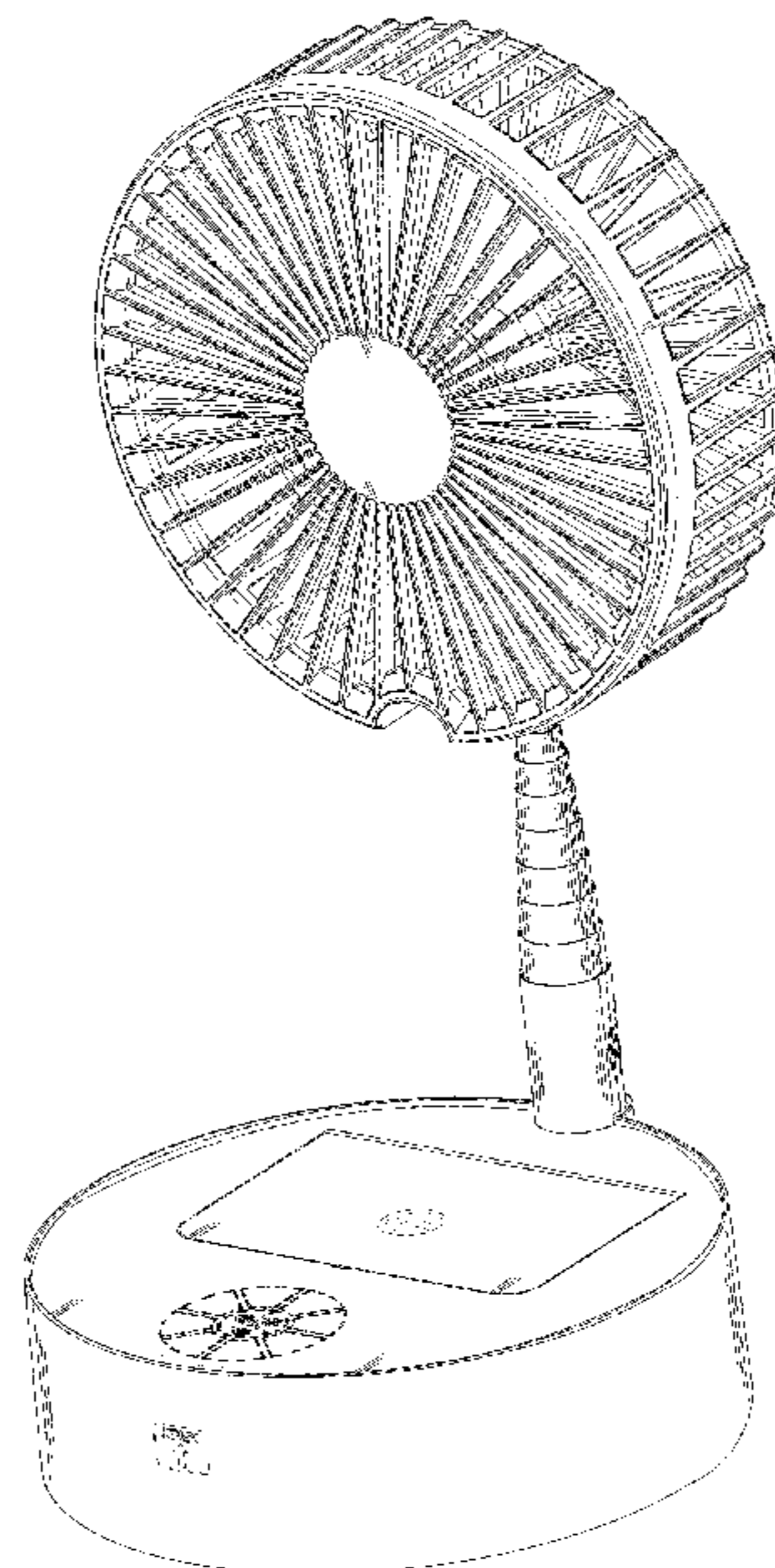
(57) **CLAIM**

The ornamental design for a telescopic humidifying fan, as shown and described.

DESCRIPTION

FIG. 1 is a perspective view of a telescopic humidifying fan showing my new design;
FIG. 2 is a front elevational view thereof;
FIG. 3 is a rear elevational view thereof;
FIG. 4 is a left side elevational view thereof;
FIG. 5 is a right side elevational view thereof;
FIG. 6 is a top plan view thereof;
FIG. 7 is a bottom plan view thereof;
FIG. 8 is a perspective view of the telescopic humidifying fan where the telescopic humidifying fan is in a configuration of use; and,
FIG. 9 is an enlarged view of portion 9 shown in FIG. 8. The dash-dash broken lines depict portions of the telescopic humidifying fan that form no part of the claimed design. The dot-dash broken lines represent the boundary of the enlarged portion and form no part of the claimed design.

1 Claim, 9 Drawing Sheets



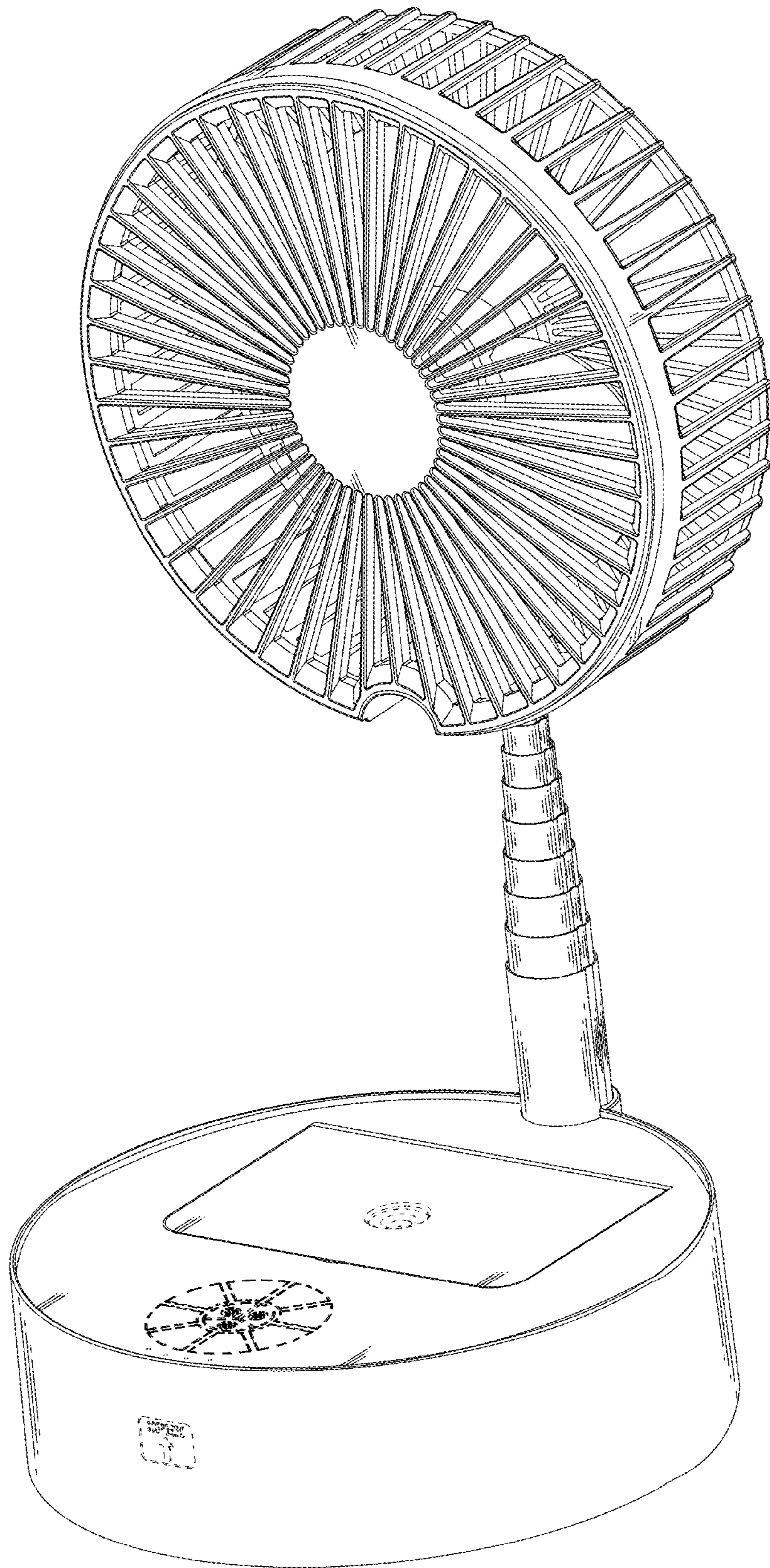


FIG. 1

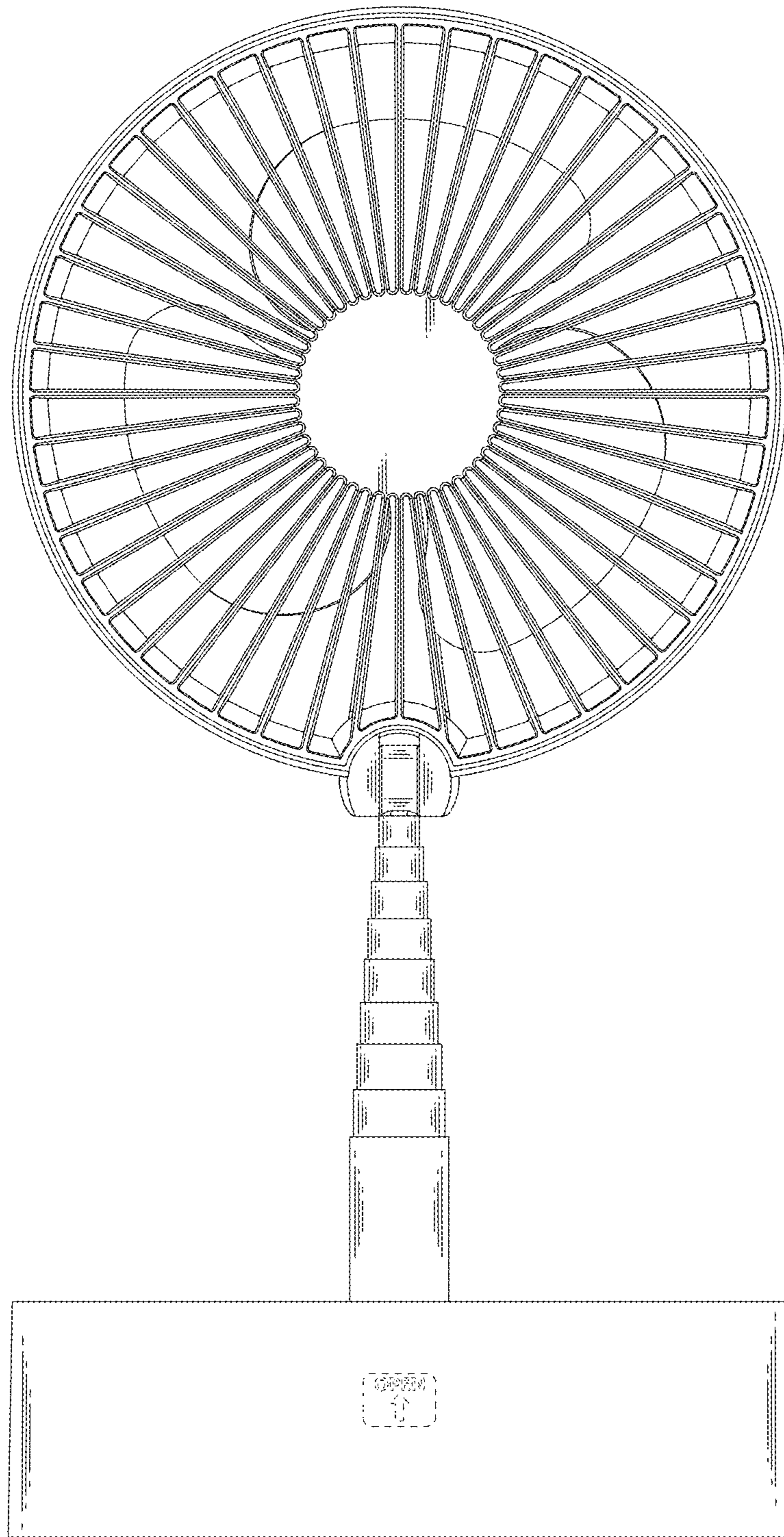


FIG. 2

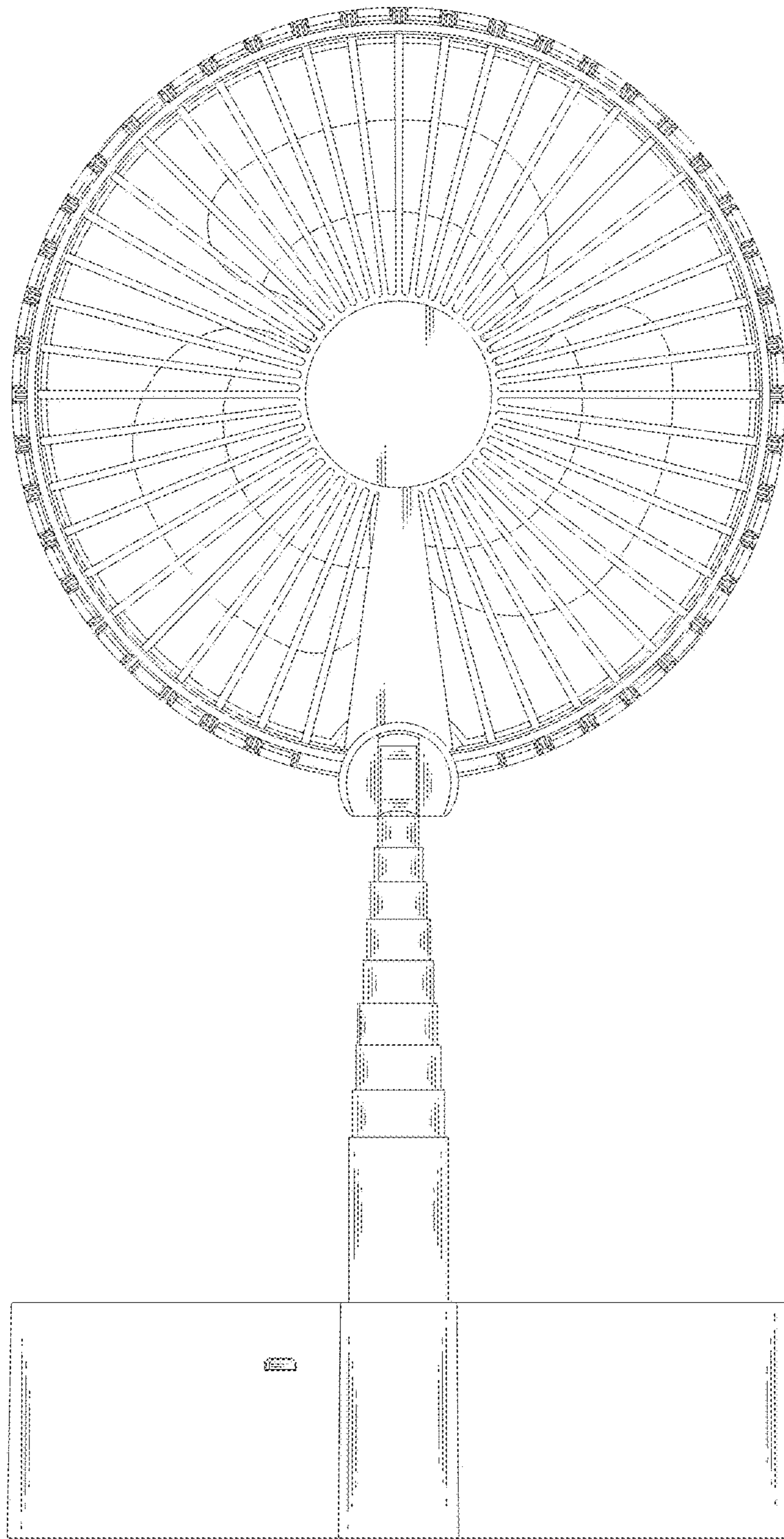


FIG.3

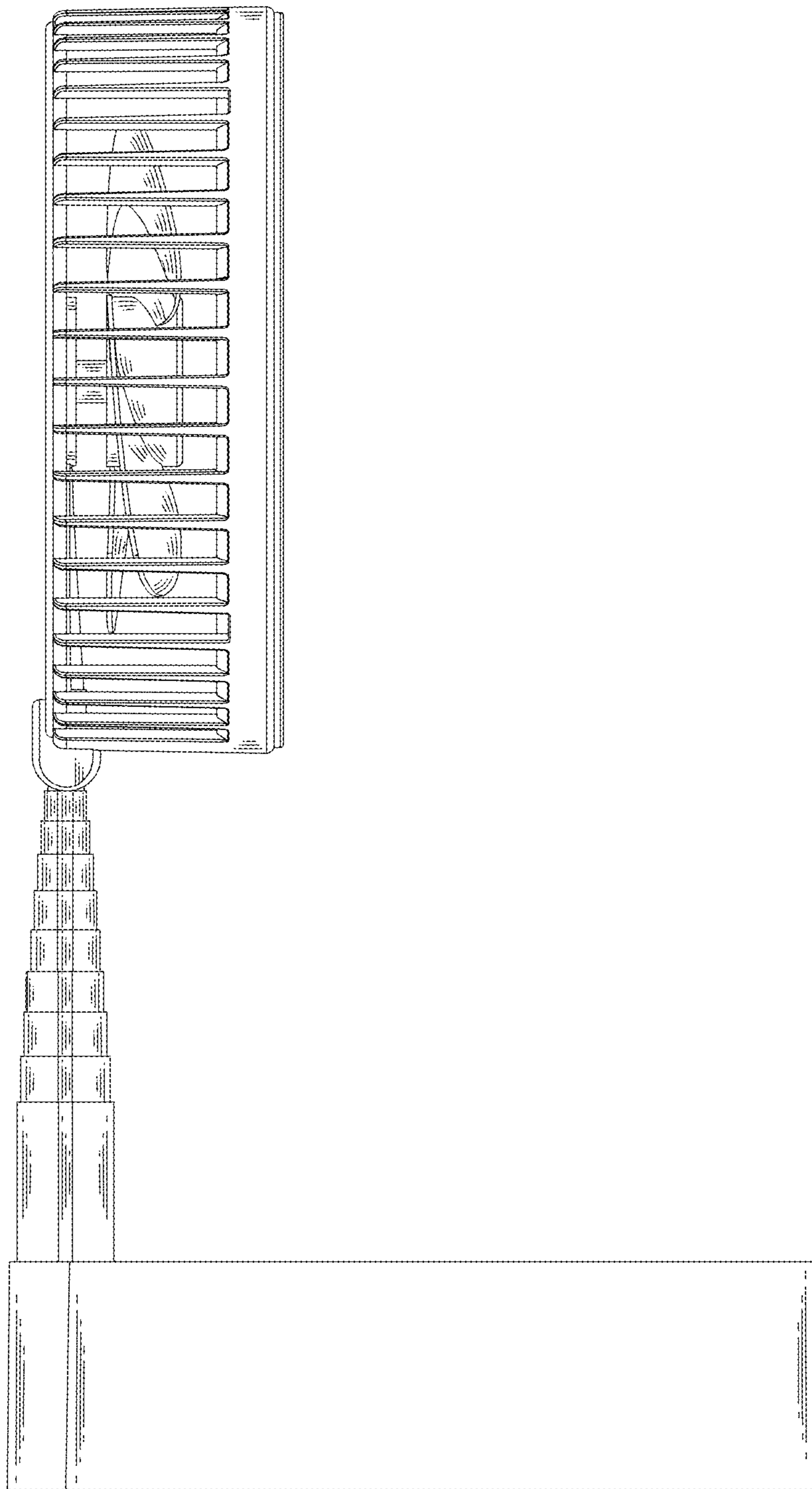


FIG. 4

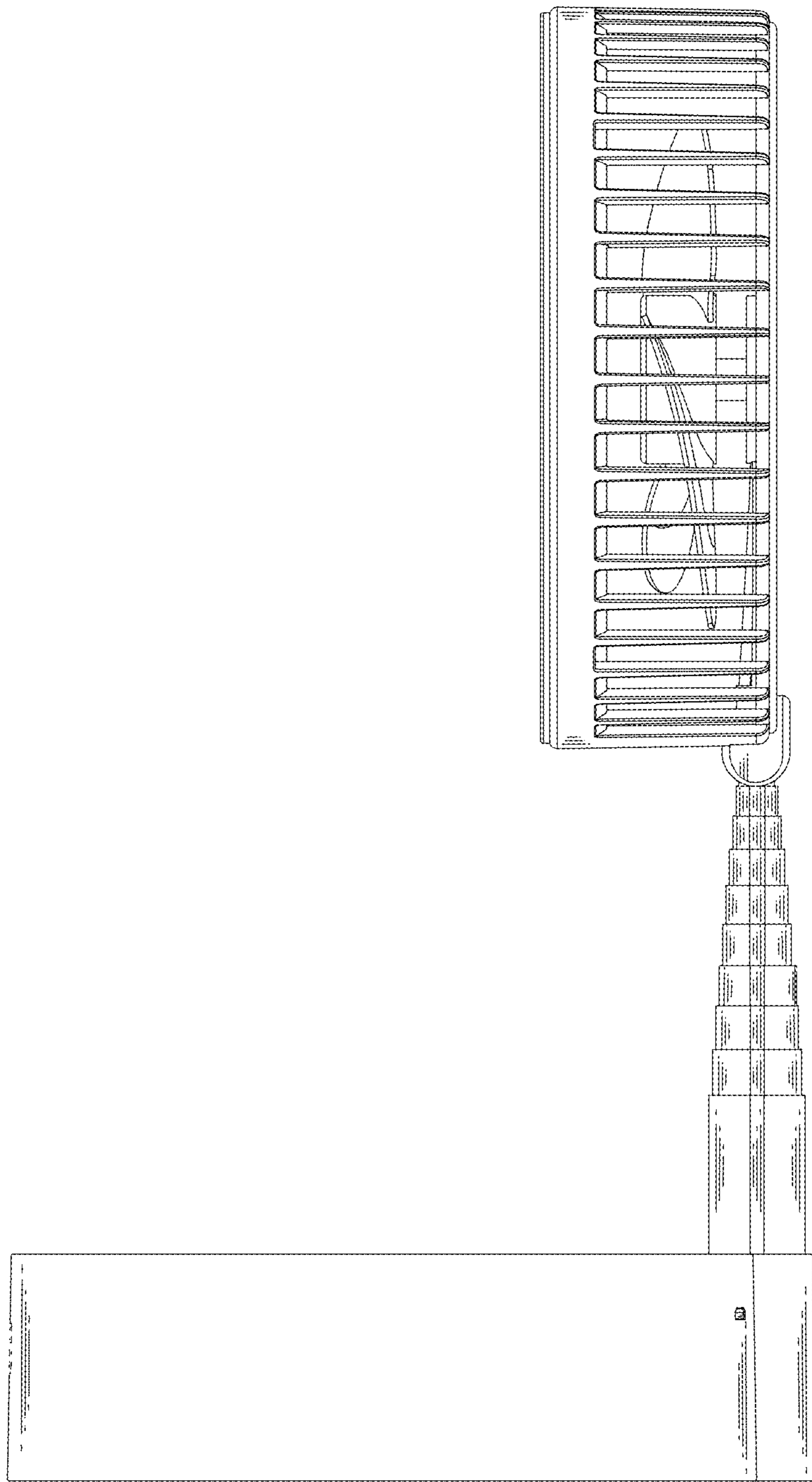


FIG. 5

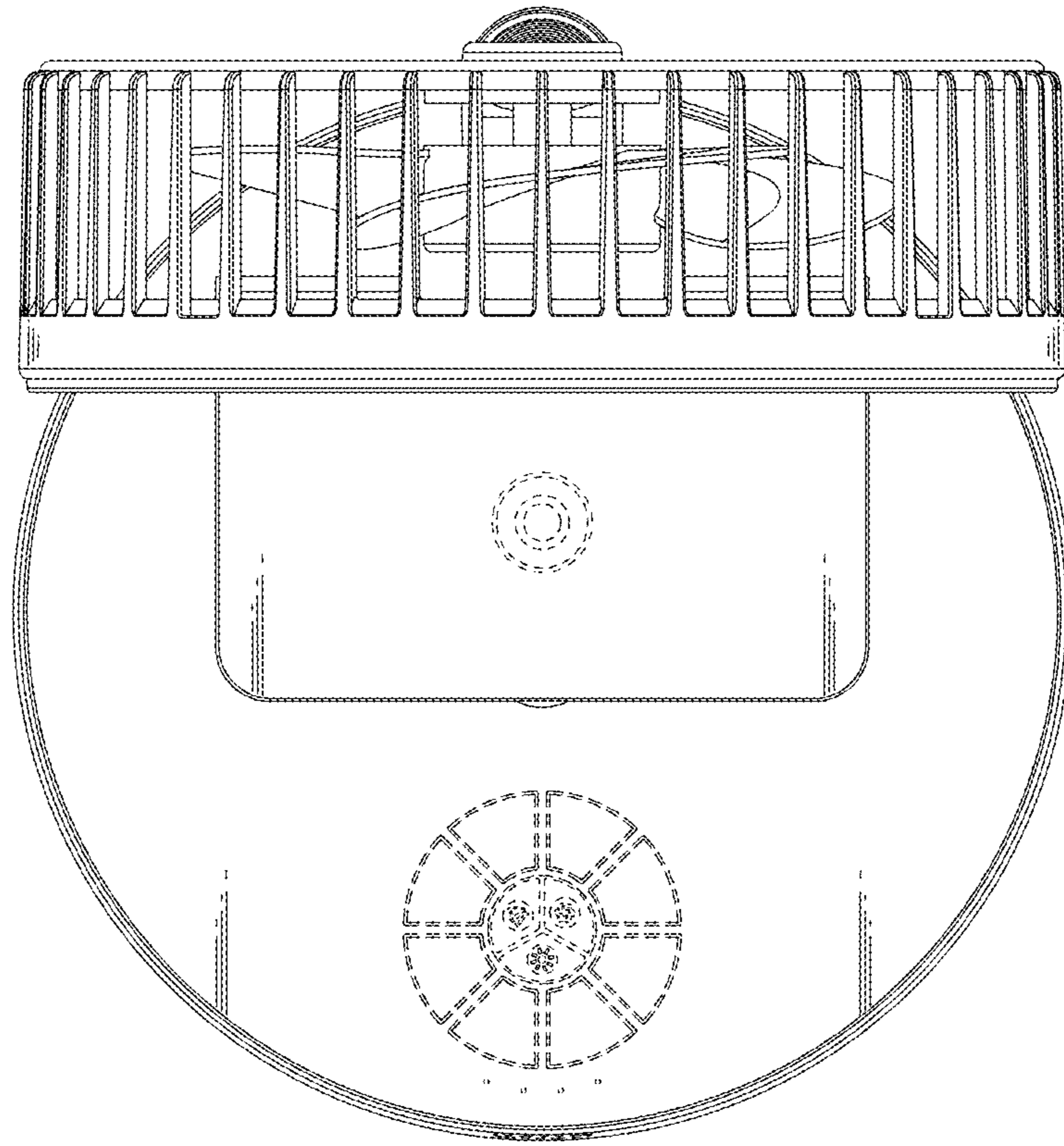


FIG. 6

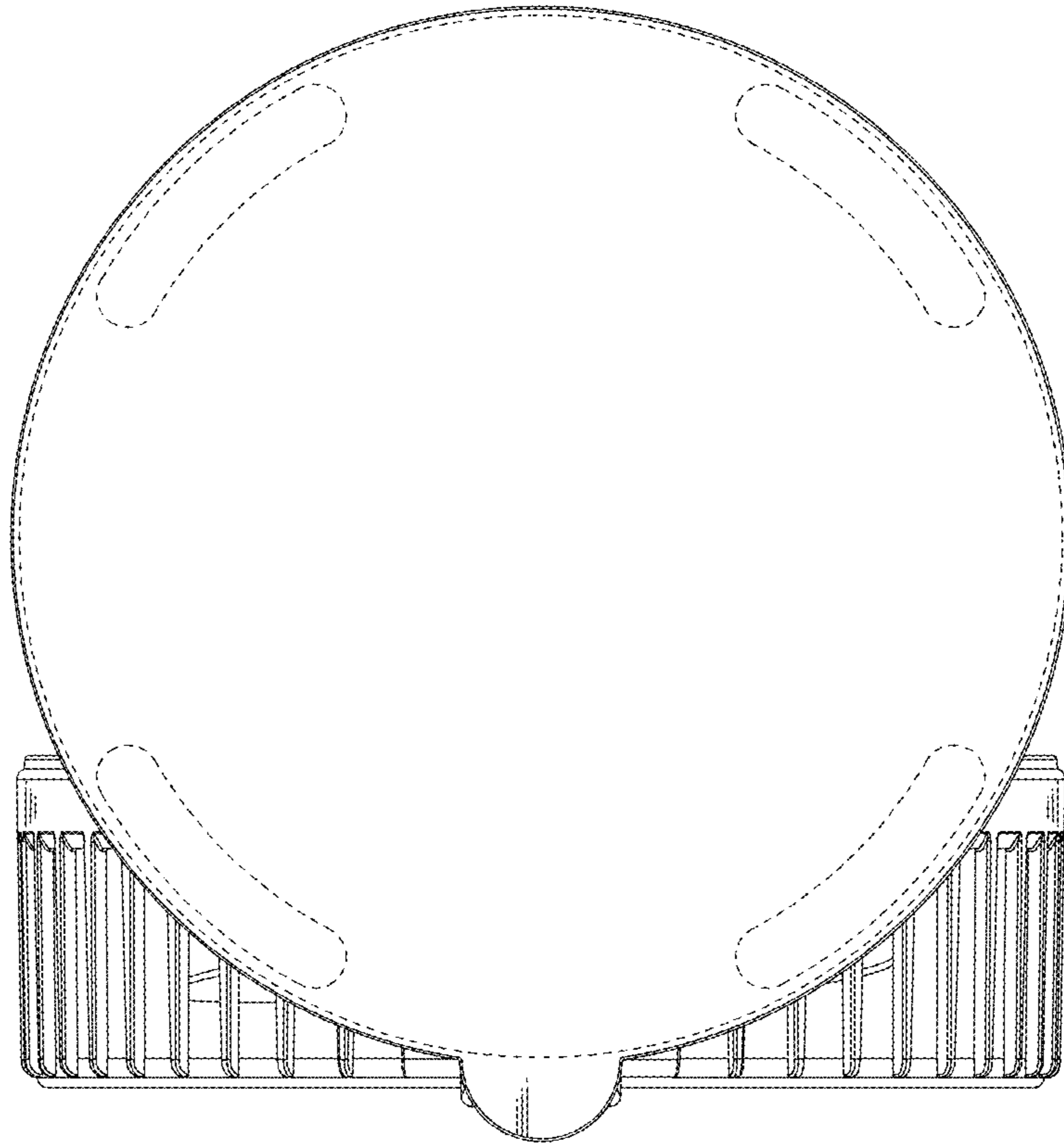


FIG. 7

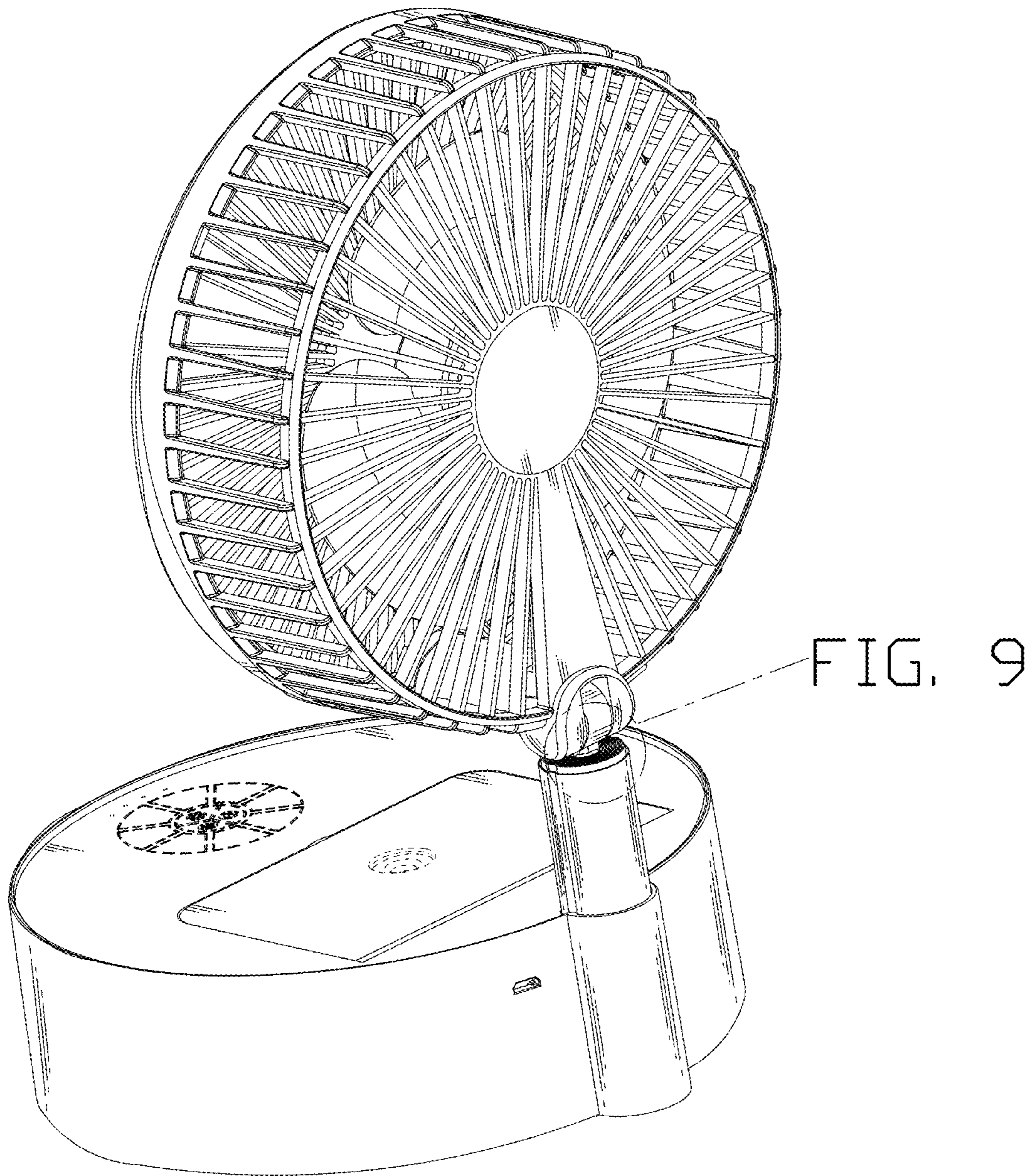


FIG. 8

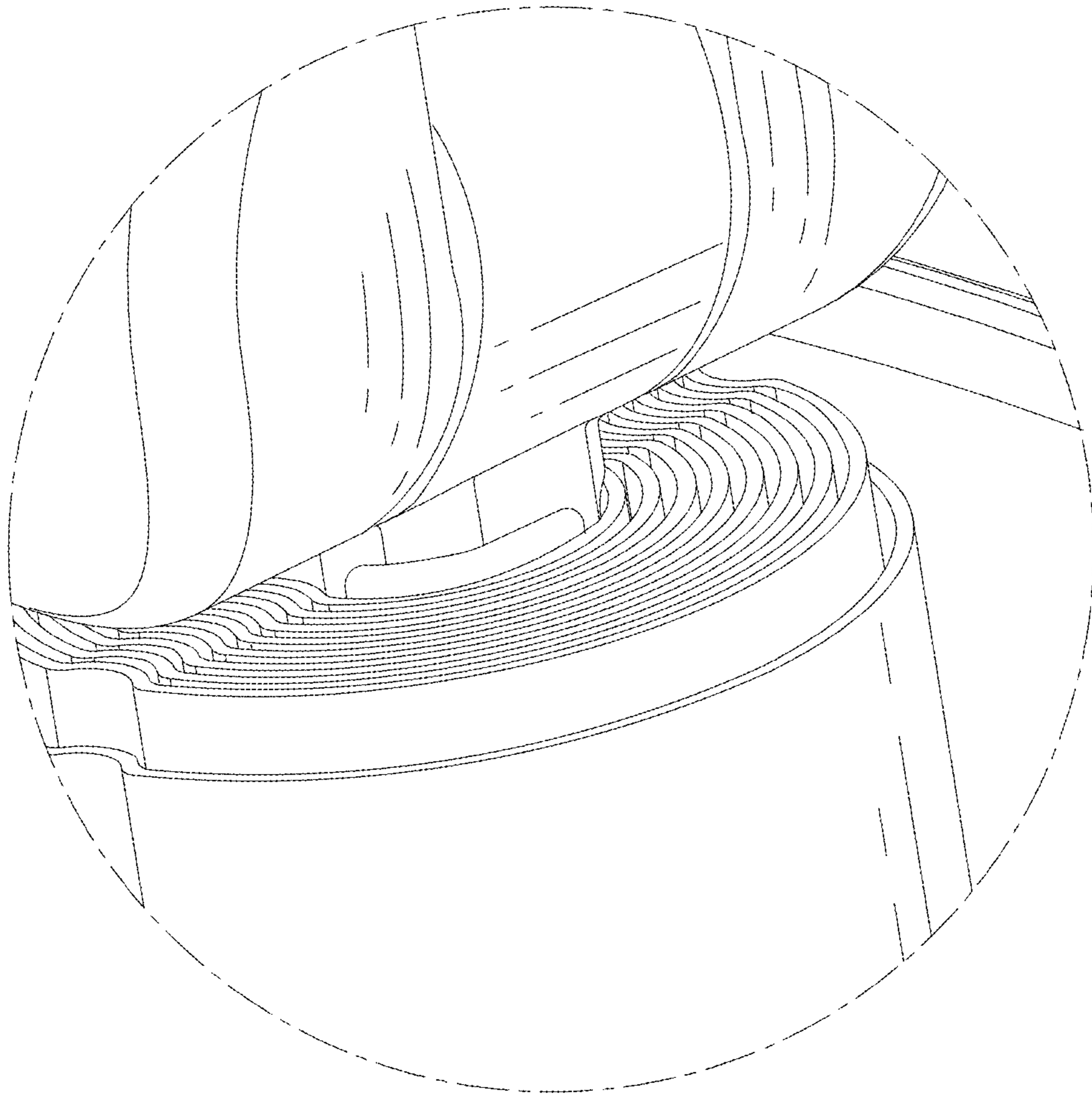


FIG. 9