



US00D956945S

(12) **United States Design Patent** (10) **Patent No.:** **US D956,945 S**
Kaiser et al. (45) **Date of Patent:** **** Jul. 5, 2022**

- (54) **LIGHT AND FAN ASSEMBLY**
- (71) Applicants: **Erik A. Kaiser**, New York, NY (US);
Joshua David Kran, Endwell, NY (US)
- (72) Inventors: **Erik A. Kaiser**, New York, NY (US);
Joshua David Kran, Endwell, NY (US)
- (73) Assignee: **Erik A. Kaiser**, New York, NY (US)
- (**) Term: **15 Years**
- (21) Appl. No.: **29/729,477**
- (22) Filed: **Mar. 26, 2020**
- (51) **LOC (13) Cl.** **23-04**
- (52) **U.S. Cl.**
USPC **D23/380**; D23/378; D26/59; D26/60
- (58) **Field of Classification Search**
USPC D23/328, 332, 370, 371, 378–383,
D23/387–392, 411–412; D26/59–63, 93,
D26/102, 111
CPC F04D 25/088; F04D 29/388; F04D 29/34;
F04D 25/08; F21V 33/0096; F21V 21/14;
F21V 15/01; F21V 14/02; F21V 21/30;
F21V 21/00; F21V 14/00; F21V 21/32
See application file for complete search history.

- (56) **References Cited**
- U.S. PATENT DOCUMENTS
- | | | | | | | |
|----------|---|---|---------|----------|-------|---------|
| D338,713 | S | * | 8/1993 | Cox | | D23/386 |
| D370,969 | S | * | 6/1996 | Ikeda | | D23/370 |
| D395,053 | S | * | 6/1998 | Aske | | D15/89 |
| D534,267 | S | * | 12/2006 | Andersen | | D23/370 |
| D582,539 | S | * | 12/2008 | Hsu | | D23/380 |

D754,318	S	*	4/2016	Thirouin	D23/370
9,648,217	B2		5/2017	Kaiser		
D790,751	S	*	6/2017	Kaiser	D26/107
D818,168	S	*	5/2018	Chang	D23/370
D822,877	S	*	7/2018	Kaiser	D26/107
10,495,950	B2		12/2019	Kaiser		
D901,064	S	*	11/2020	Hodgson	D26/102
D903,174	S	*	11/2020	Chen	D26/106
D921,255	S	*	6/2021	Jia	D26/60
D925,800	S	*	7/2021	He	D26/60
D934,406	S	*	10/2021	Williams	D23/380
2016/0277660	A1	*	9/2016	Kaiser	H04W 4/80
2021/0131623	A1	*	5/2021	Scroggins	F21S 6/003

* cited by examiner

Primary Examiner — Sharon S Oum
(74) *Attorney, Agent, or Firm* — Steven N. Fox, Esq.

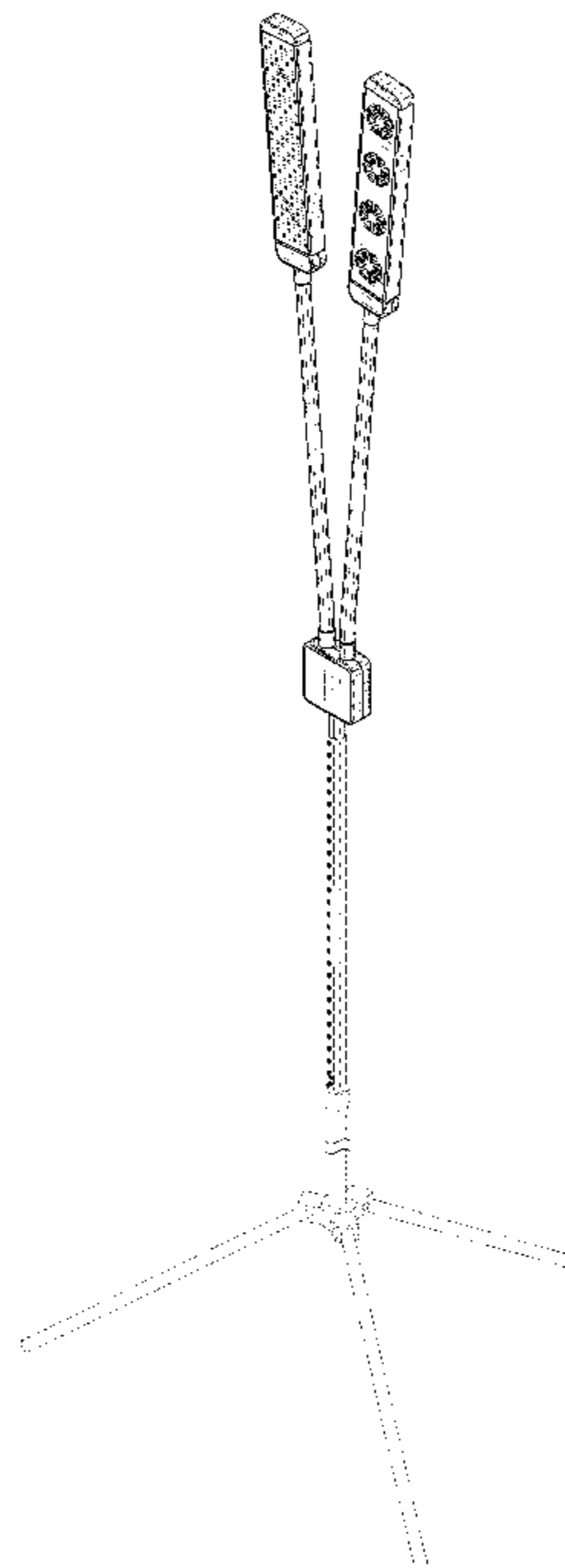
(57) **CLAIM**

The ornamental design for a light and fan assembly, as shown and described.

DESCRIPTION

FIG. 1 is a front perspective view of a light and fan assembly according to the present invention;
FIG. 2 is a front perspective view of a light and fan assembly according to the present invention that is identical to FIG. 1 but without the broken lines;
FIG. 3 is a rear view thereof;
FIG. 4 is a front view thereof;
FIG. 5 is a left side view thereof;
FIG. 6 is a right side view thereof;
FIG. 7 is a top view thereof; and,
FIG. 8 is a bottom view thereof.
Portions of the light and fan assembly shown in broken lines form no part of the claimed design.

1 Claim, 3 Drawing Sheets



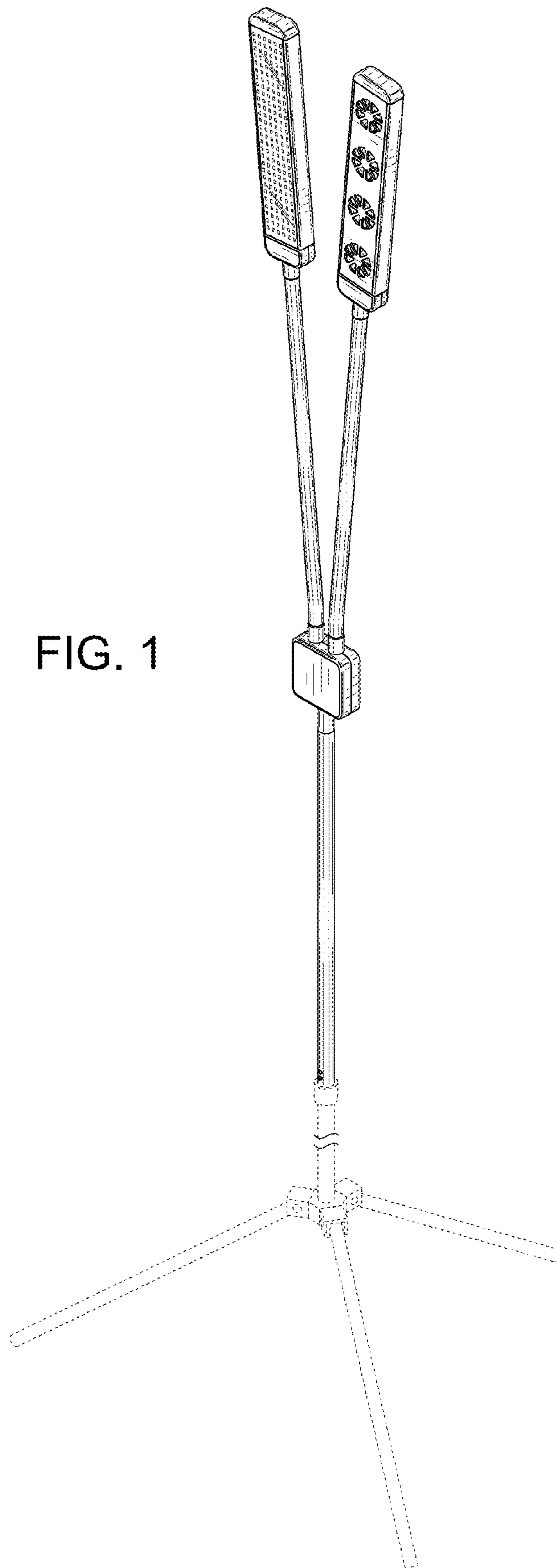


FIG. 1

FIG. 2

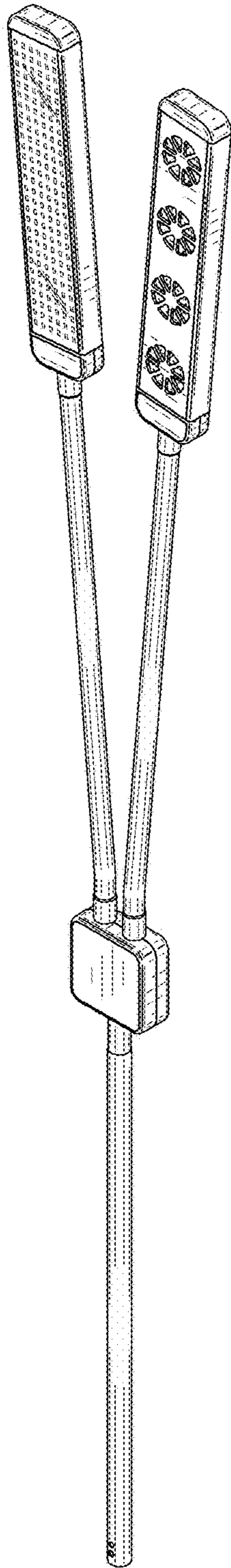


FIG. 3

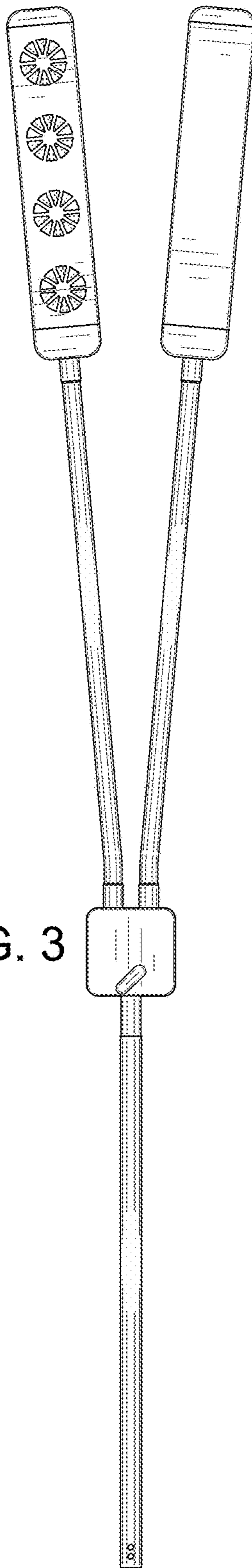
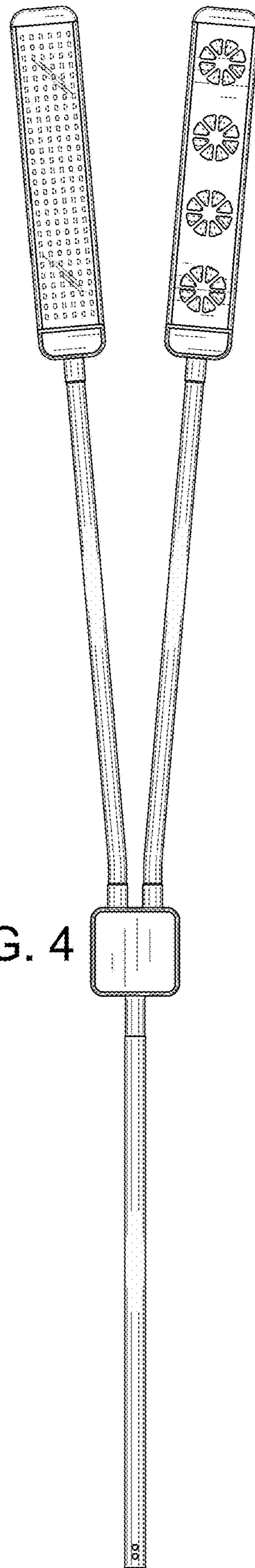


FIG. 4



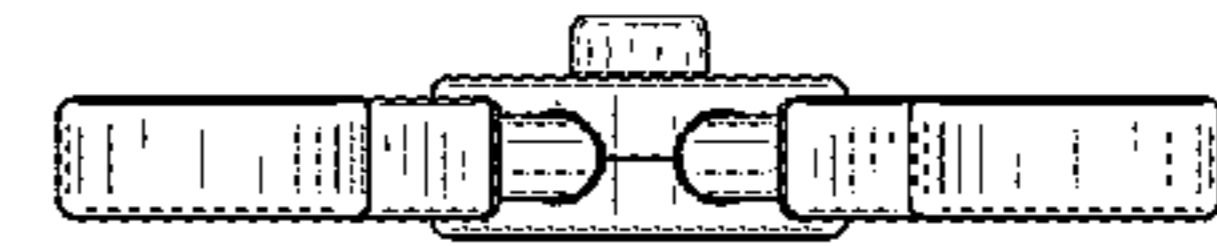
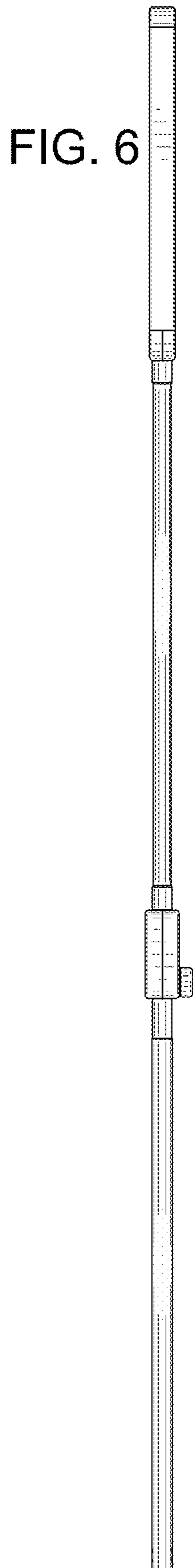
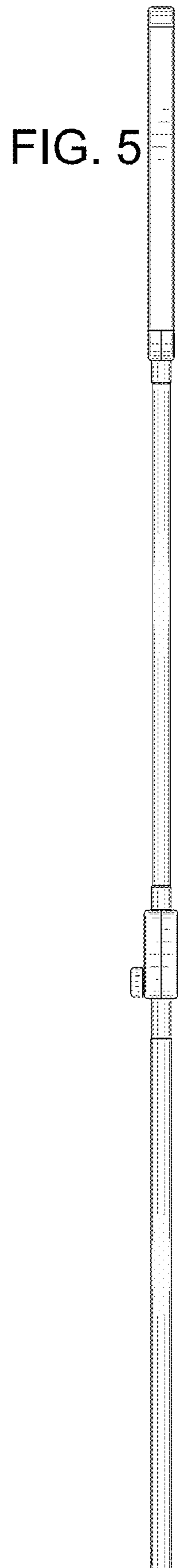


FIG. 7

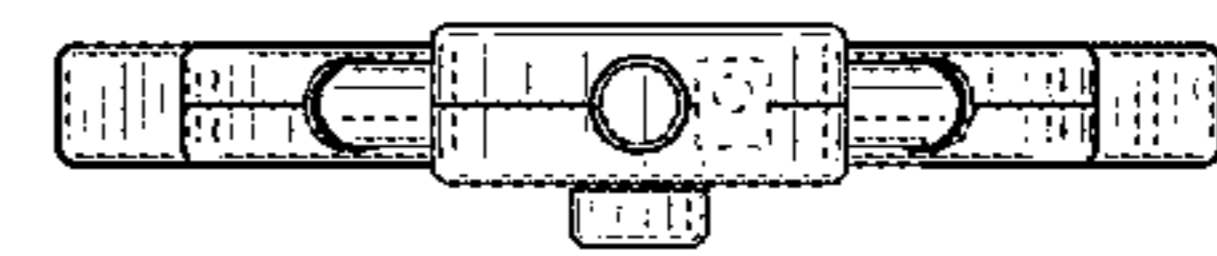


FIG. 8