



US00D956944S

(12) **United States Design Patent**  
**Kaiser et al.**

(10) **Patent No.:** **US D956,944 S**

(45) **Date of Patent:** **\*\* Jul. 5, 2022**

- (54) **FAN**
- (71) Applicants: **Erik A. Kaiser**, New York, NY (US);  
**Joshua David Kran**, Endwell, NY (US)
- (72) Inventors: **Erik A. Kaiser**, New York, NY (US);  
**Joshua David Kran**, Endwell, NY (US)
- (73) Assignee: **Erik A. Kaiser**, New York, NY (US)
- (\*\*) Term: **15 Years**
- (21) Appl. No.: **29/729,465**
- (22) Filed: **Mar. 26, 2020**
- (51) **LOC (13) Cl.** ..... **23-04**
- (52) **U.S. Cl.**  
USPC ..... **D23/380**
- (58) **Field of Classification Search**  
USPC ..... D23/328, 332, 370, 371, 378-383,  
D23/387-392, 411-412; D8/394, 397;  
D26/60  
CPC ..... F04D 25/088; F04D 29/388; F04D 29/34;  
F04D 25/08; F04D 29/64; F04D 29/642;  
F04D 29/644; F04D 29/646; F21V  
33/0096  
See application file for complete search history.

(56) **References Cited**  
U.S. PATENT DOCUMENTS

- D338,713 S \* 8/1993 Cox ..... D23/386
- D366,711 S \* 1/1996 Clasby ..... D26/60
- D370,969 S \* 6/1996 Ikeda ..... D23/370

- D395,053 S \* 6/1998 Aske ..... D15/89
- D534,267 S \* 12/2006 Andersen ..... D23/370
- D542,402 S \* 5/2007 Abell ..... D23/382
- D582,539 S \* 12/2008 Hsu ..... D23/380
- D676,535 S \* 2/2013 Barrett ..... D23/382
- 9,648,217 B2 5/2017 Kaiser
- D790,751 S \* 6/2017 Kaiser ..... D26/107
- D822,877 S 7/2018 Kaiser
- D850,686 S \* 6/2019 Wang ..... D26/65
- 10,495,950 B2 12/2019 Kaiser
- D912,292 S \* 3/2021 Hodgson ..... D26/65
- D934,406 S \* 10/2021 Williams ..... D23/380
- D934,851 S \* 11/2021 Kaiser ..... D16/242
- 2014/0112791 A1 \* 4/2014 Abell ..... F04D 25/084  
416/159
- 2021/0131623 A1 \* 5/2021 Scroggins ..... F21S 6/003

\* cited by examiner

*Primary Examiner* — Sharon S Oum

(74) *Attorney, Agent, or Firm* — Steven N. Fox, Esq.

(57) **CLAIM**

The ornamental design for a fan, as shown and described.

**DESCRIPTION**

FIG. 1 is a front perspective view of a fan according to the present invention;  
 FIG. 2 is a left side view thereof;  
 FIG. 3 is a front view thereof;  
 FIG. 4 is a rear view thereof;  
 FIG. 5 is a top view thereof;  
 FIG. 6 is a right side view thereof; and,  
 FIG. 7 is a bottom view thereof.  
 Portions of the fan shown in broken lines form no part of the claimed design.

**1 Claim, 3 Drawing Sheets**

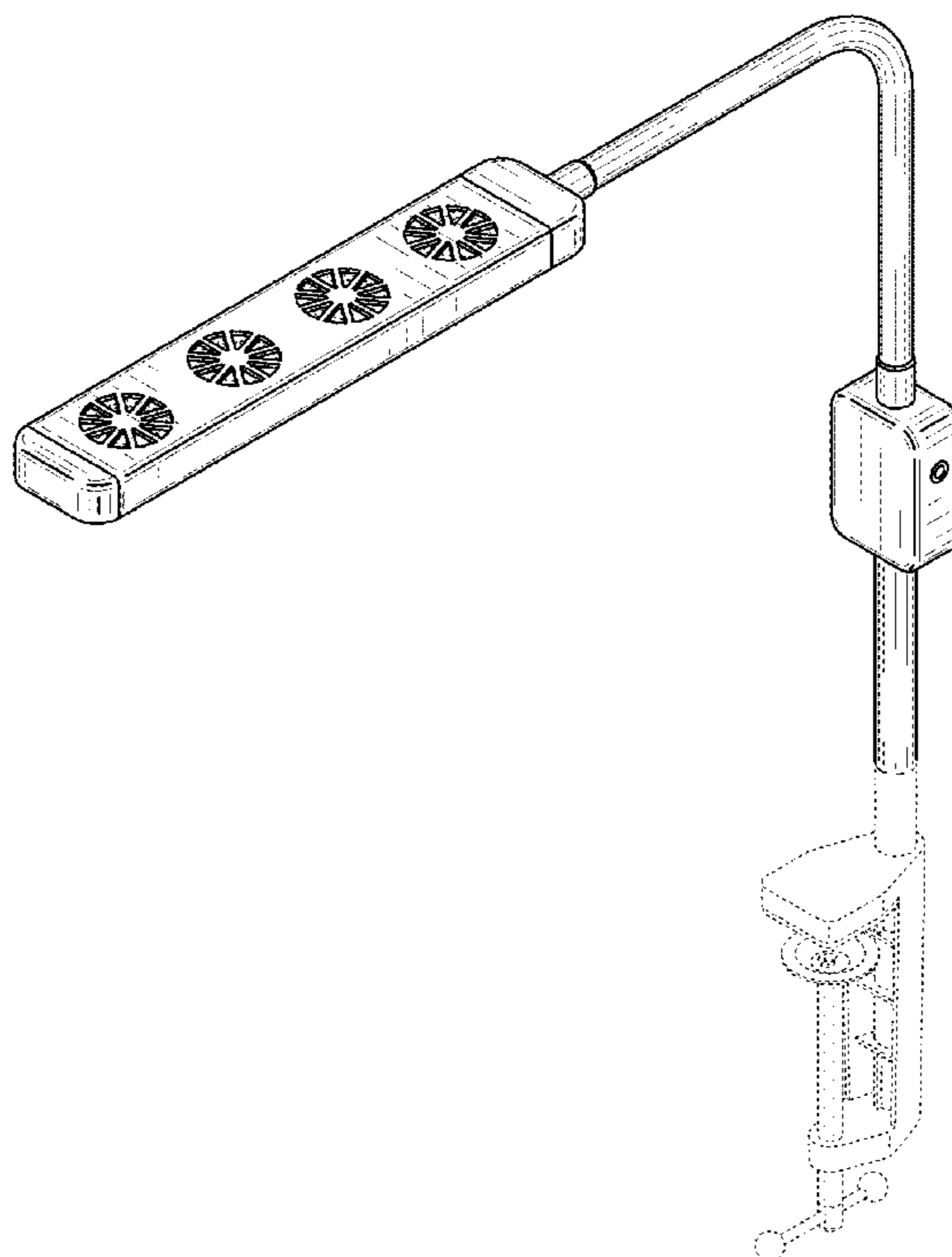


FIG. 1

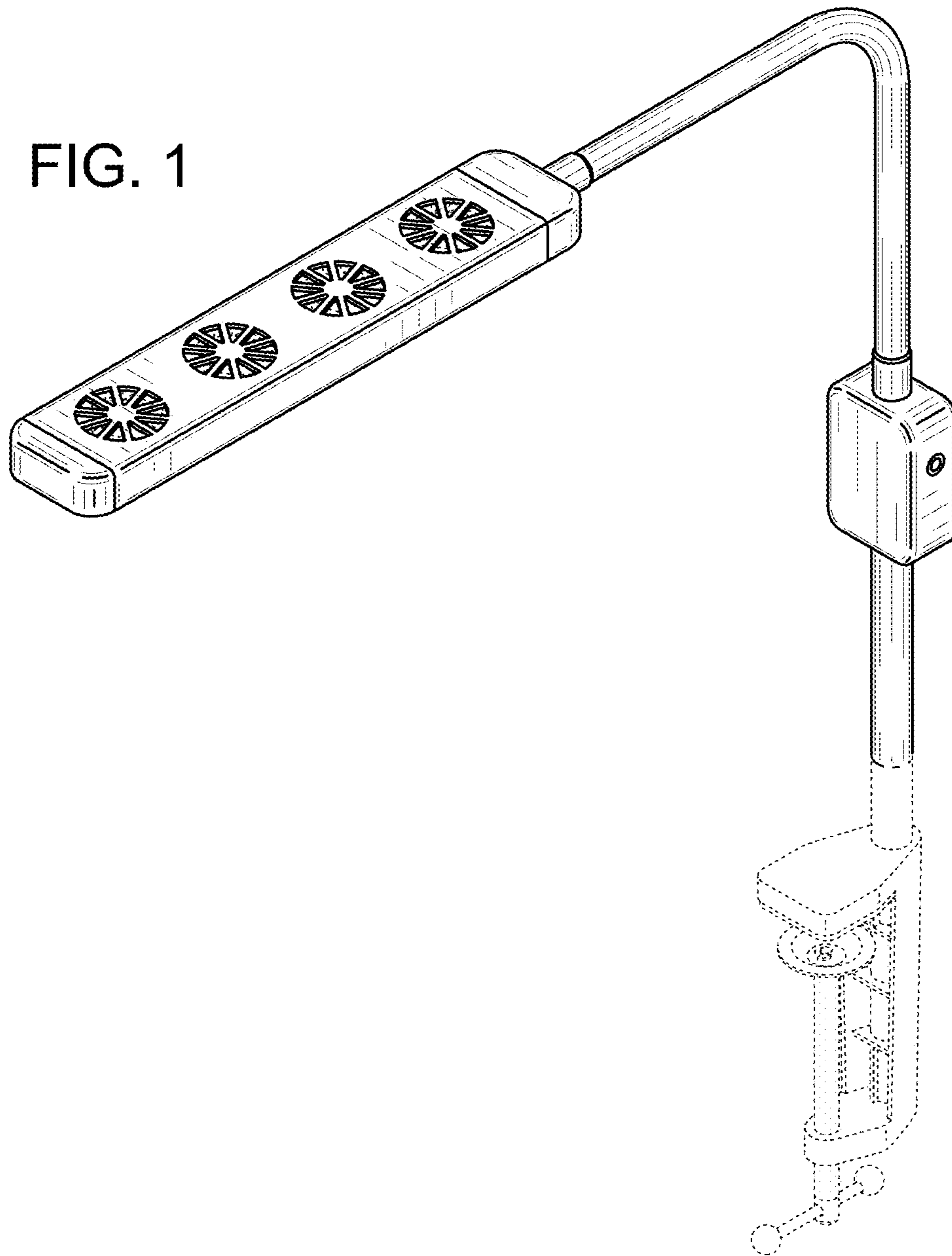


FIG. 2

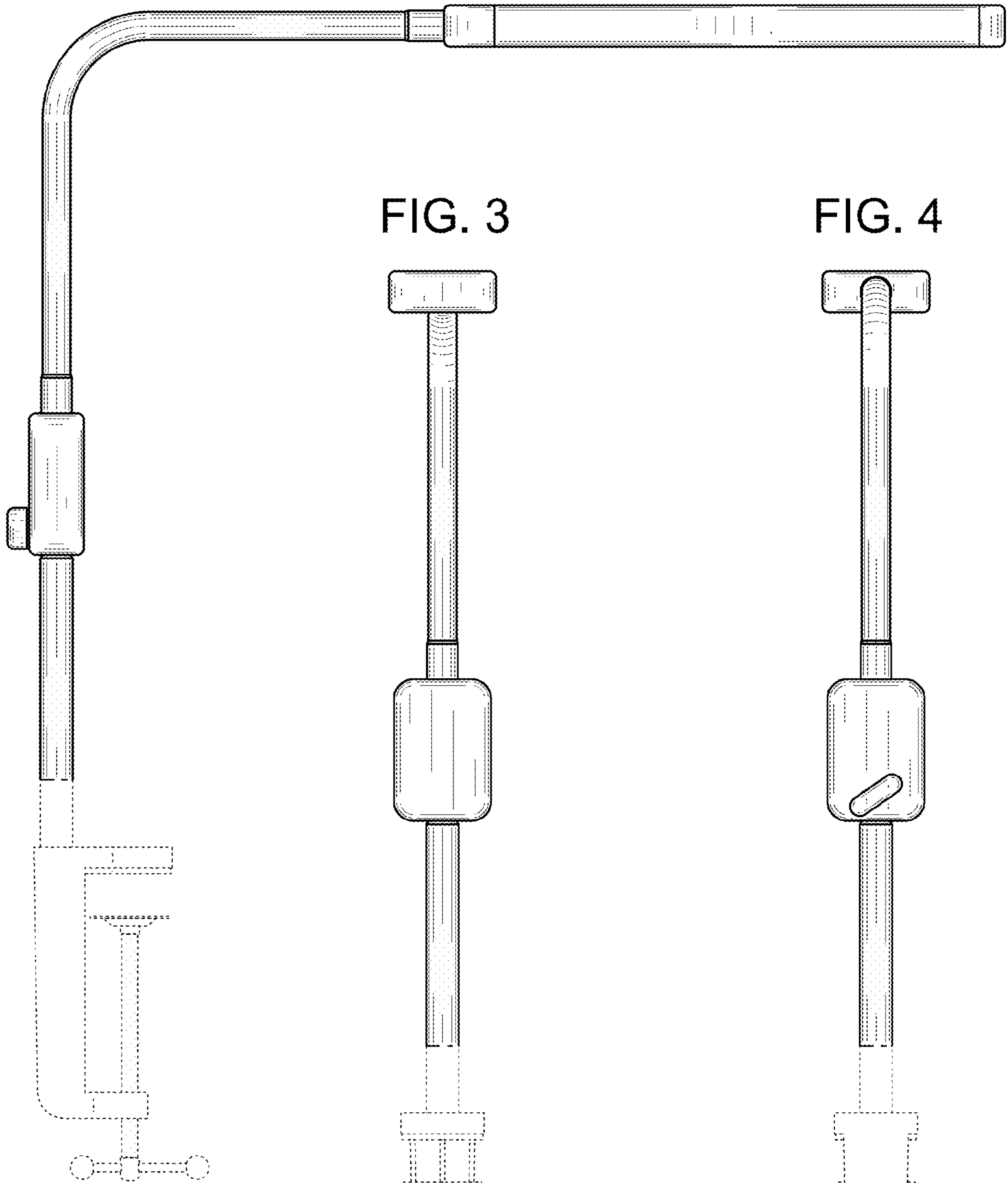


FIG. 3

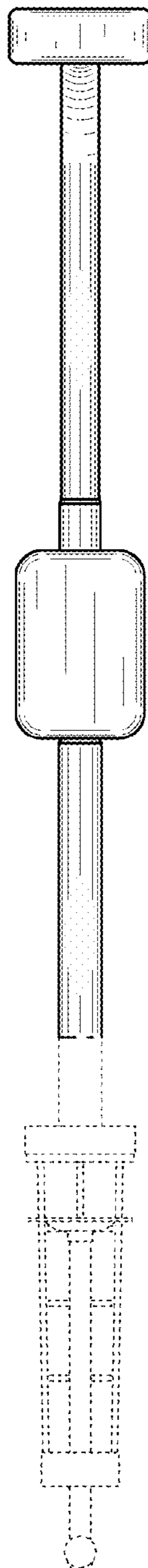


FIG. 4

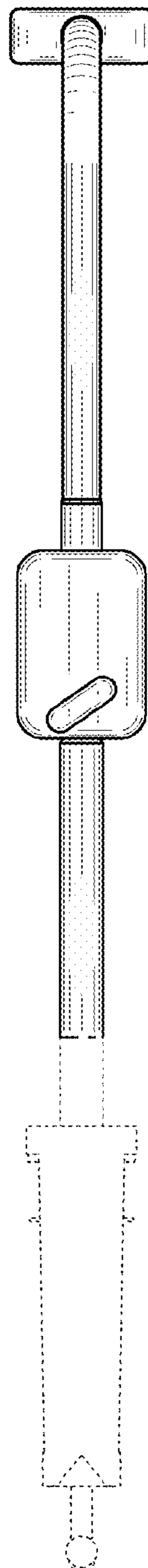


FIG. 5

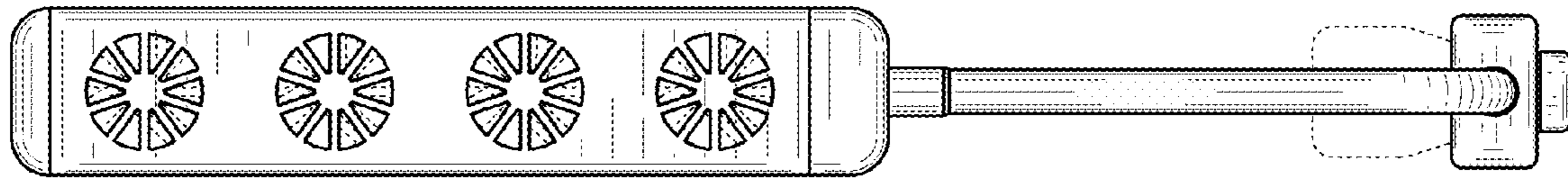


FIG. 6

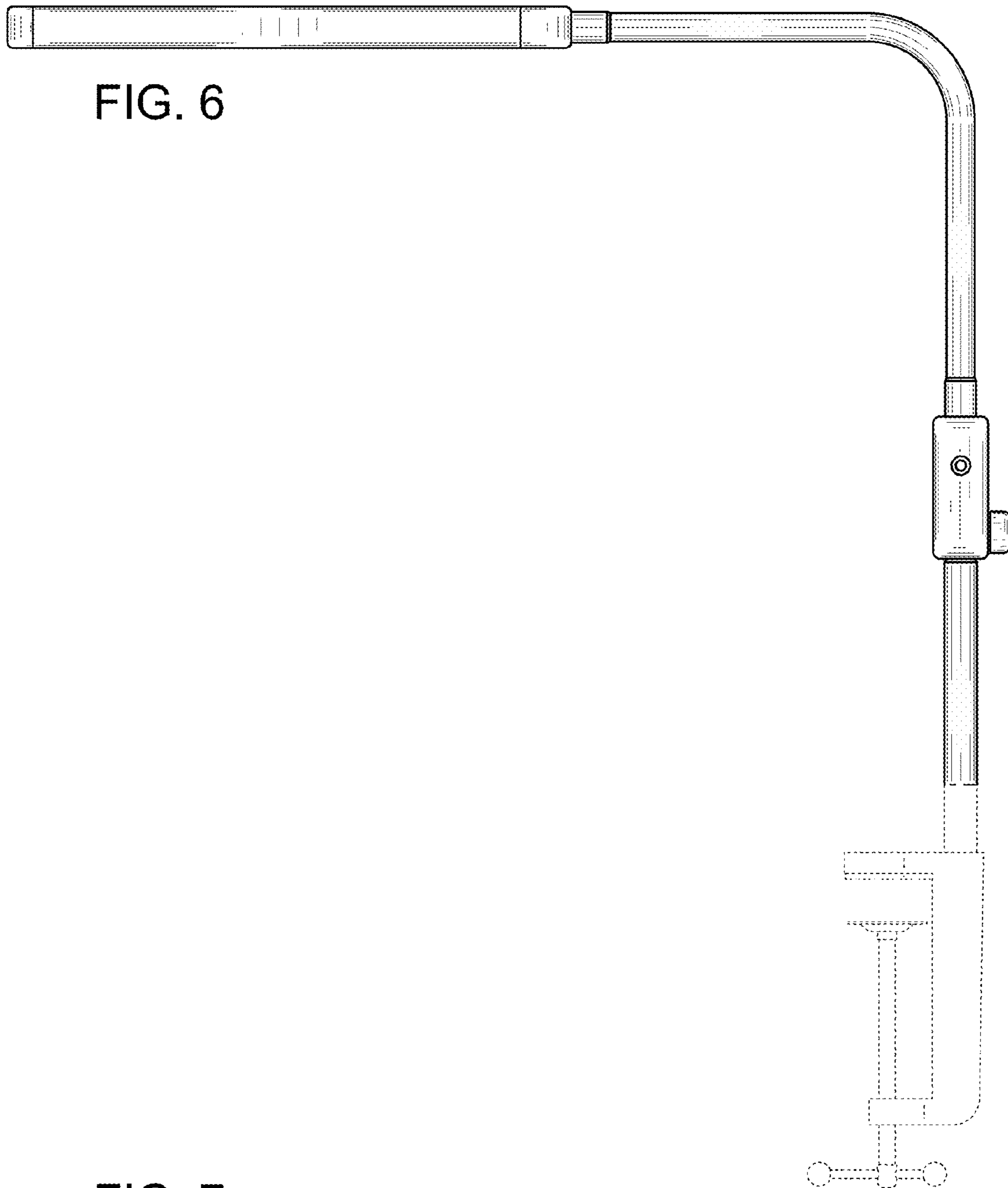


FIG. 7

