



US00D956943S

(12) **United States Design Patent**  
**Huang et al.**

(10) **Patent No.:** **US D956,943 S**  
(45) **Date of Patent:** **\*\* Jul. 5, 2022**

(54) **VENTILATION FAN**  
(71) Applicant: **Delta Electronics, Inc.**, Taoyuan (TW)  
(72) Inventors: **Yu-Hsiang Huang**, Taoyuan (TW);  
**Chih-Hua Lin**, Taoyuan (TW);  
**Yan-Lin Chen**, Taoyuan (TW);  
**Yuan-Chuan Liu**, Taoyuan (TW)

8,763,750 B1 \* 7/2014 Berkman ..... H04R 1/021  
181/150  
D752,199 S \* 3/2016 Berkman ..... D23/370  
D798,247 S \* 9/2017 Meincke ..... D13/180  
D835,070 S \* 12/2018 DePasquale ..... D14/216  
D882,546 S \* 4/2020 Ivey ..... D14/209  
D903,083 S \* 11/2020 Huang ..... D23/370  
D903,084 S \* 11/2020 Huang ..... D23/370  
D932,612 S \* 10/2021 Malaker ..... D23/412

(Continued)

(73) Assignee: **DELTA ELECTRONICS, INC.**,  
Taoyuan (TW)

**FOREIGN PATENT DOCUMENTS**

(\*\*) Term: **15 Years**

CN 301941547 S 5/2012  
CN 304106081 S 4/2017

(Continued)

(21) Appl. No.: **29/731,584**

*Primary Examiner* — Sharon S Oum

(22) Filed: **Apr. 16, 2020**

(74) *Attorney, Agent, or Firm* — Kirton McConkie; Evan R. Witt

(51) **LOC (13) Cl.** ..... **23-04**

(52) **U.S. Cl.**  
USPC ..... **D23/371**

(57) **CLAIM**

The ornamental design for a ventilation fan, as shown and described.

(58) **Field of Classification Search**  
USPC ..... D23/351, 353, 354, 370–376, 382, 385,  
D23/387, 388, 390, 393, 411, 412;  
D14/209, 215, 216; D26/59  
CPC ..... F24F 13/082; H04R 1/028  
See application file for complete search history.

**DESCRIPTION**

(56) **References Cited**

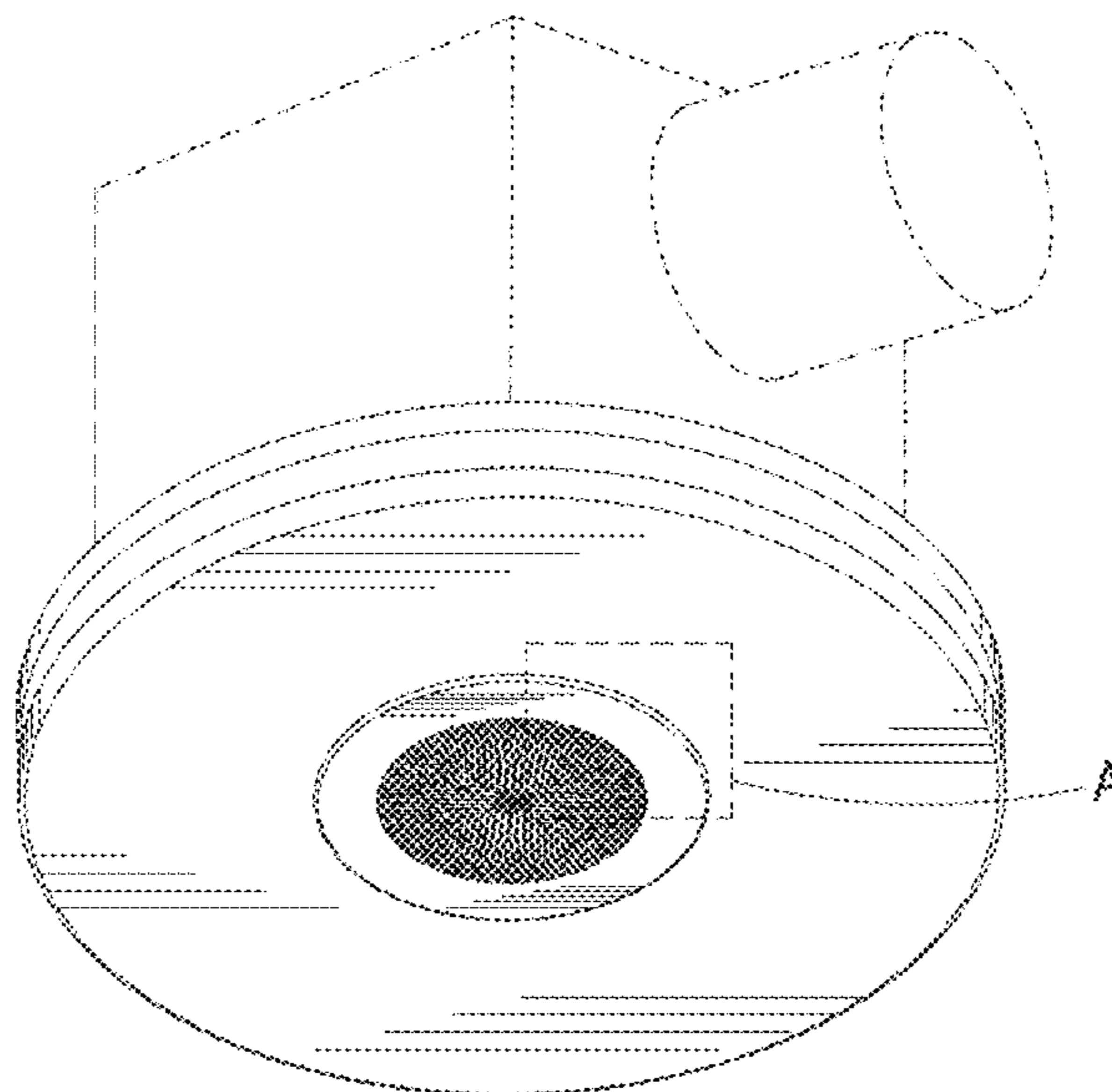
**U.S. PATENT DOCUMENTS**

D132,865 S \* 6/1942 Drollinger ..... D14/209  
D207,561 S \* 5/1967 Bedell ..... D23/371  
D288,007 S \* 1/1987 Jonas ..... D23/366  
D289,894 S \* 5/1987 Ohtsuji ..... D14/219  
D331,638 S \* 12/1992 Vamberszky ..... D26/118  
D527,812 S \* 9/2006 Brown ..... D23/390  
D538,422 S \* 3/2007 Hooijmaaijers ..... D23/387  
D543,969 S \* 6/2007 Shiono ..... D14/216  
D559,969 S \* 1/2008 Hammock, Jr. .... D23/388  
D563,542 S \* 3/2008 Wettergren ..... D23/388  
D641,520 S \* 7/2011 Grajcar ..... D26/152  
D672,864 S \* 12/2012 Miyake ..... D23/385

FIG. 1 is a perspective view of a ventilation fan showing our new design;  
FIG. 2 is a front elevational view thereof;  
FIG. 3 is a rear elevational view thereof;  
FIG. 4 is a left side elevational view thereof;  
FIG. 5 is a right side elevational view thereof;  
FIG. 6 is a top plan view thereof;  
FIG. 7 is a bottom plan view thereof;  
FIG. 8 is an enlarged view of the area A indicated in FIG. 1; and,  
FIG. 9 is an exploded view of FIG. 1.

The broken lines illustrate portion of the ventilation fan and form no part of the claimed design. The broken line rectangle surrounding the area A in FIG. 1 and FIG. 8 form no part of the claimed design.

**1 Claim, 9 Drawing Sheets**



(56)

**References Cited**

U.S. PATENT DOCUMENTS

D933,185 S \* 10/2021 Li ..... D23/371  
2015/0139476 A1\* 5/2015 Yu ..... H04R 1/025  
381/386  
2016/0108925 A1\* 4/2016 Huang ..... F04D 29/005  
415/121.3  
2018/0066838 A1\* 3/2018 Huang ..... F21V 33/0096

FOREIGN PATENT DOCUMENTS

CN 304768743 S 8/2018  
TW D194501 S 12/2018  
TW D195226 S 1/2019

\* cited by examiner

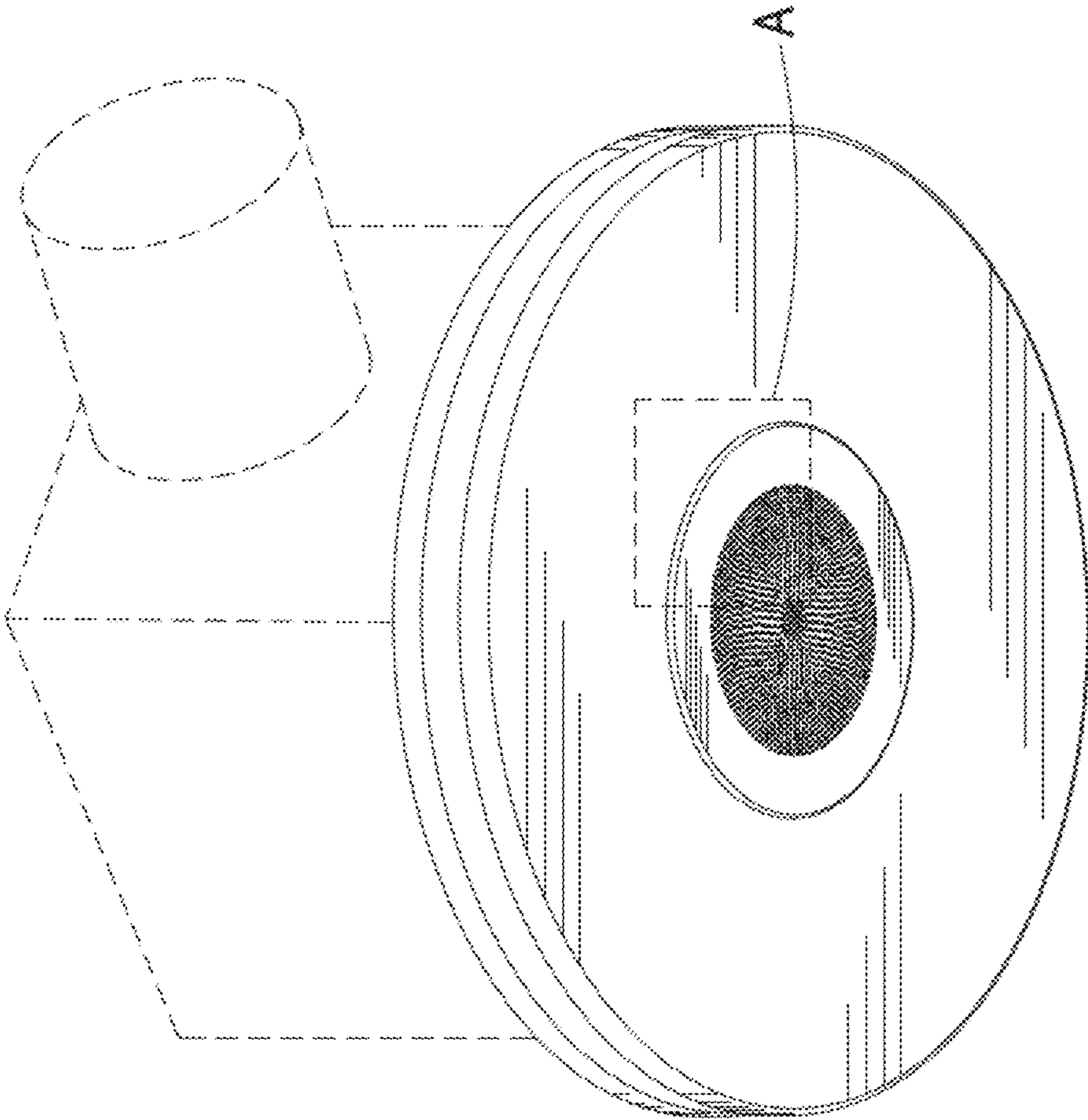


FIG. 1

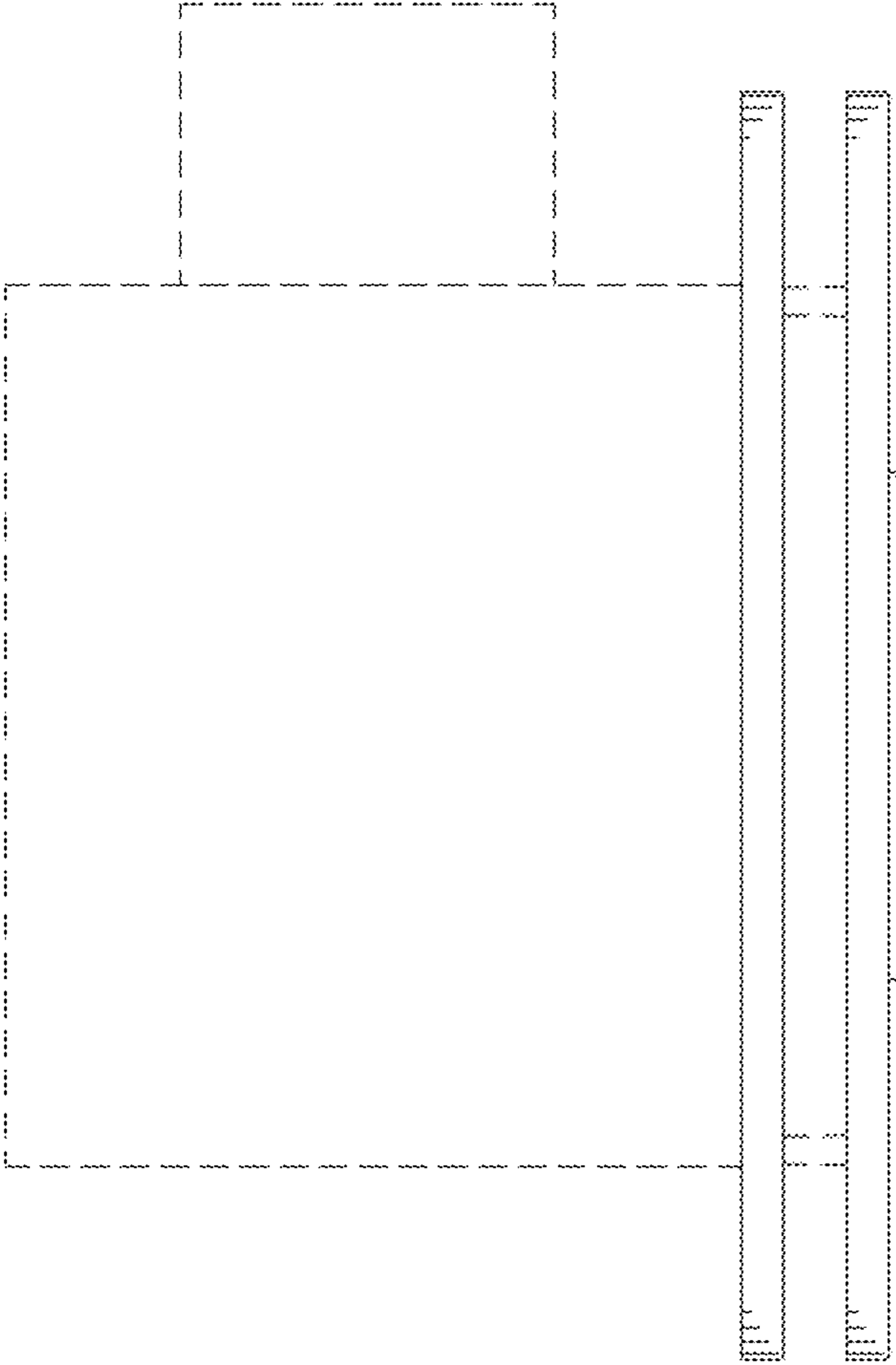


FIG. 2

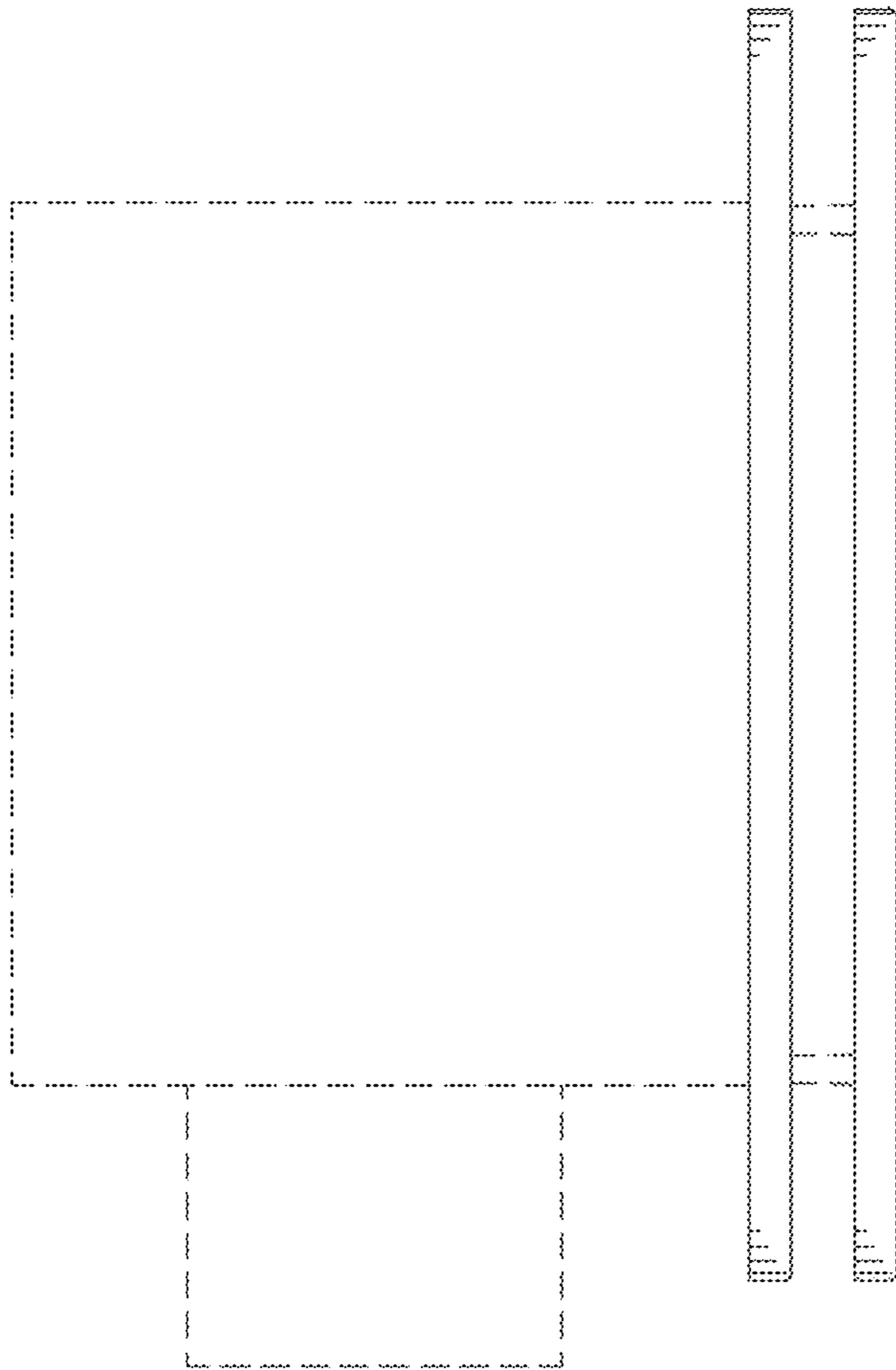


FIG. 3

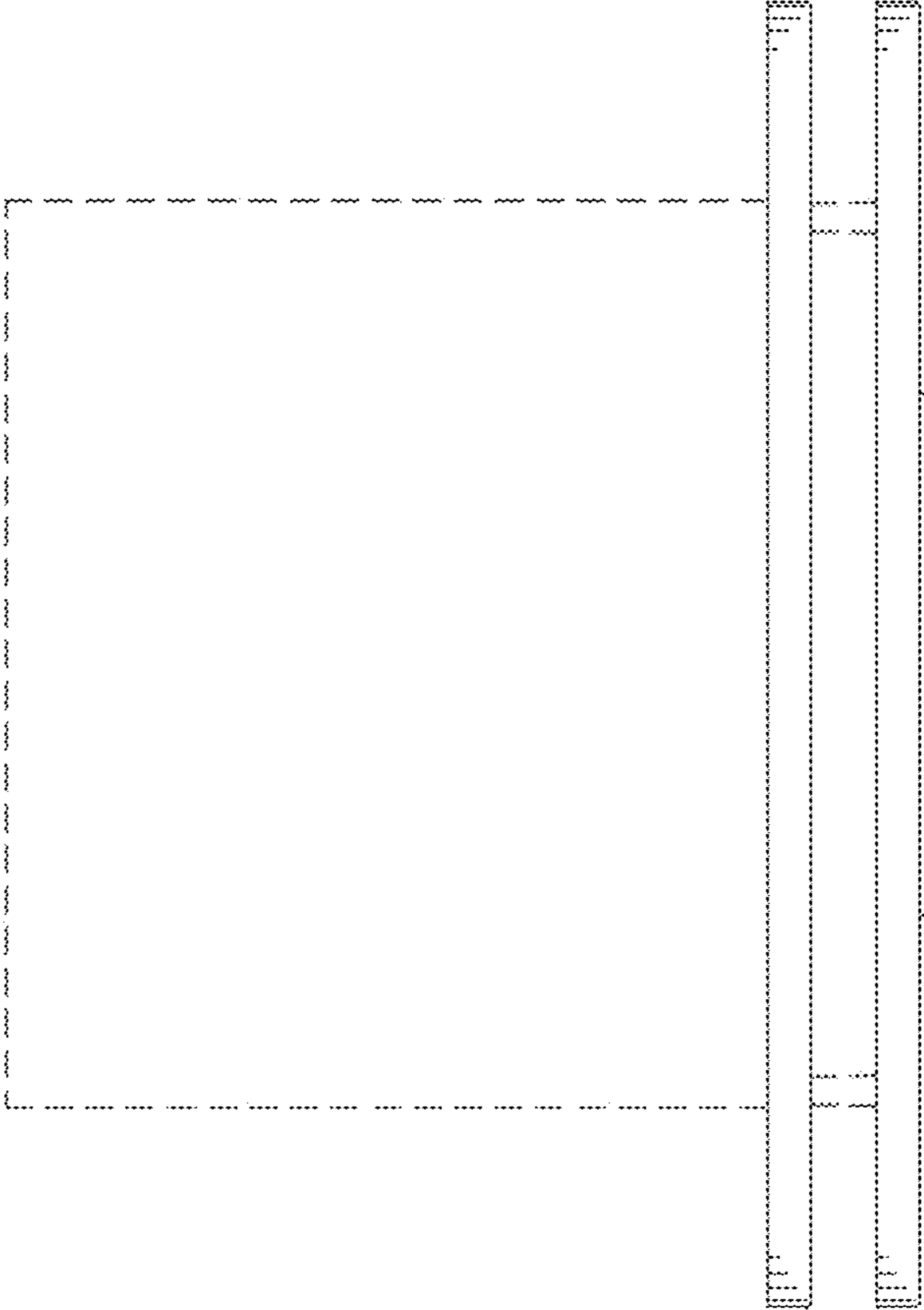


FIG. 4

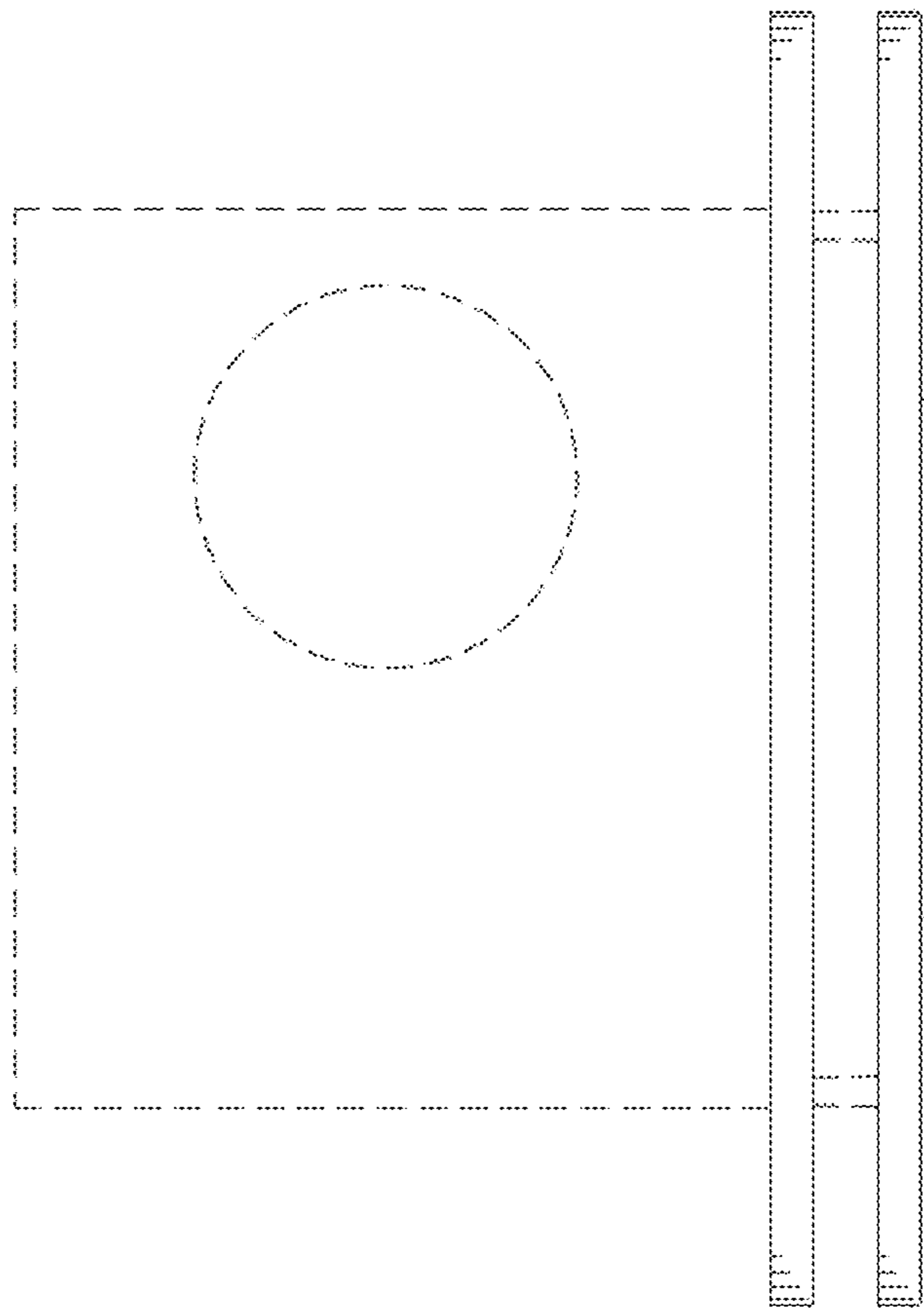


FIG. 5



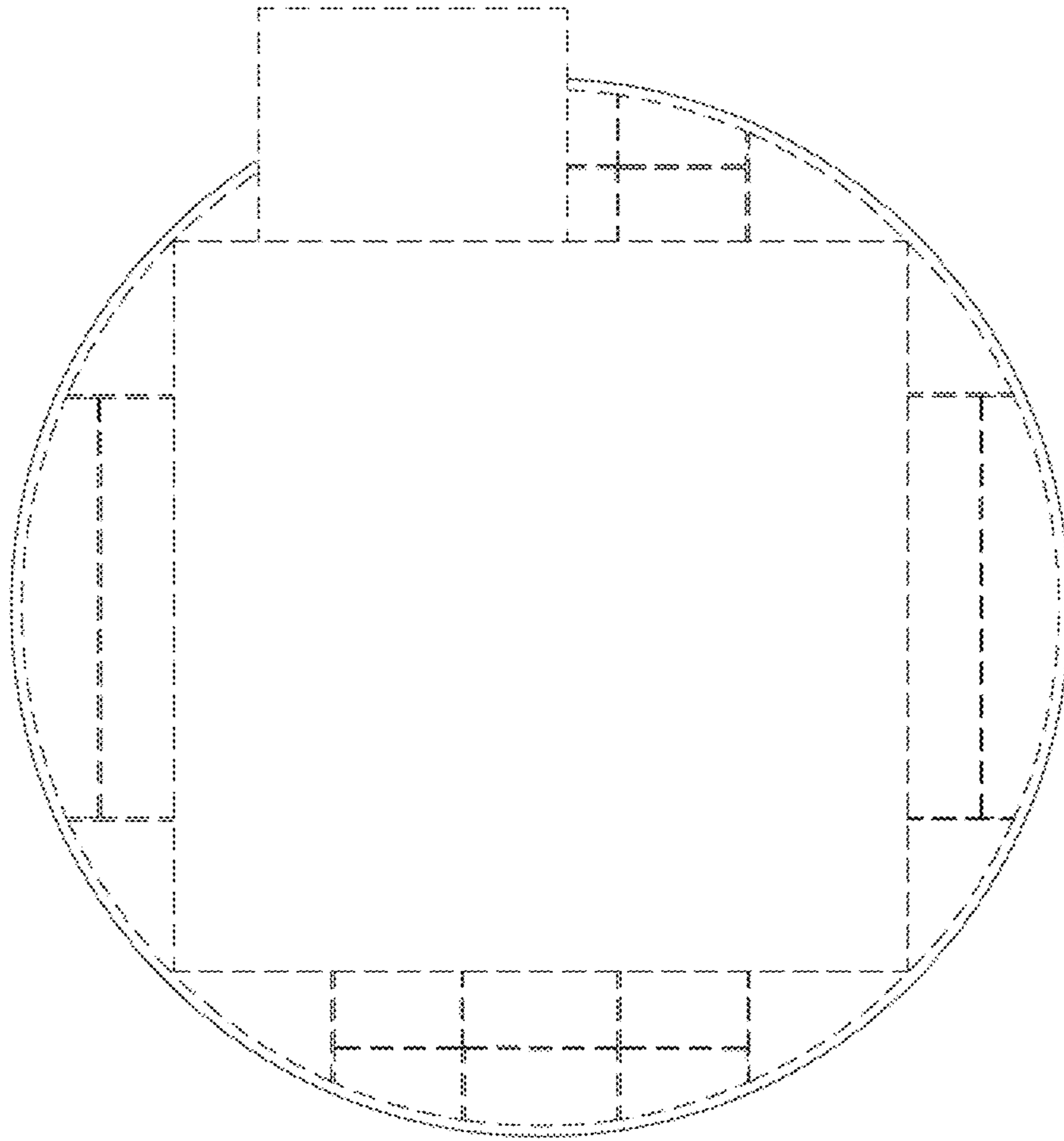


FIG. 6



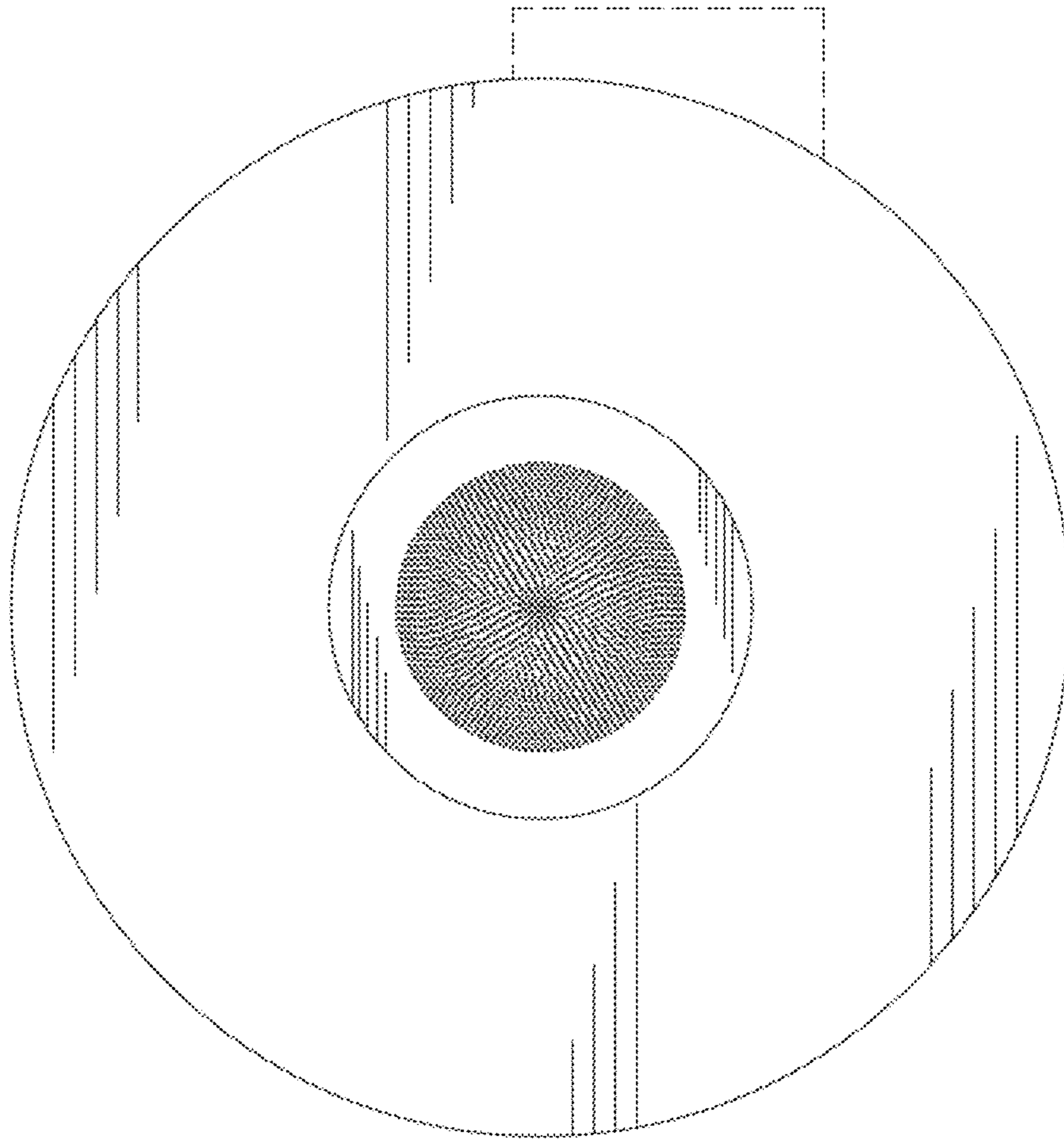


FIG. 7

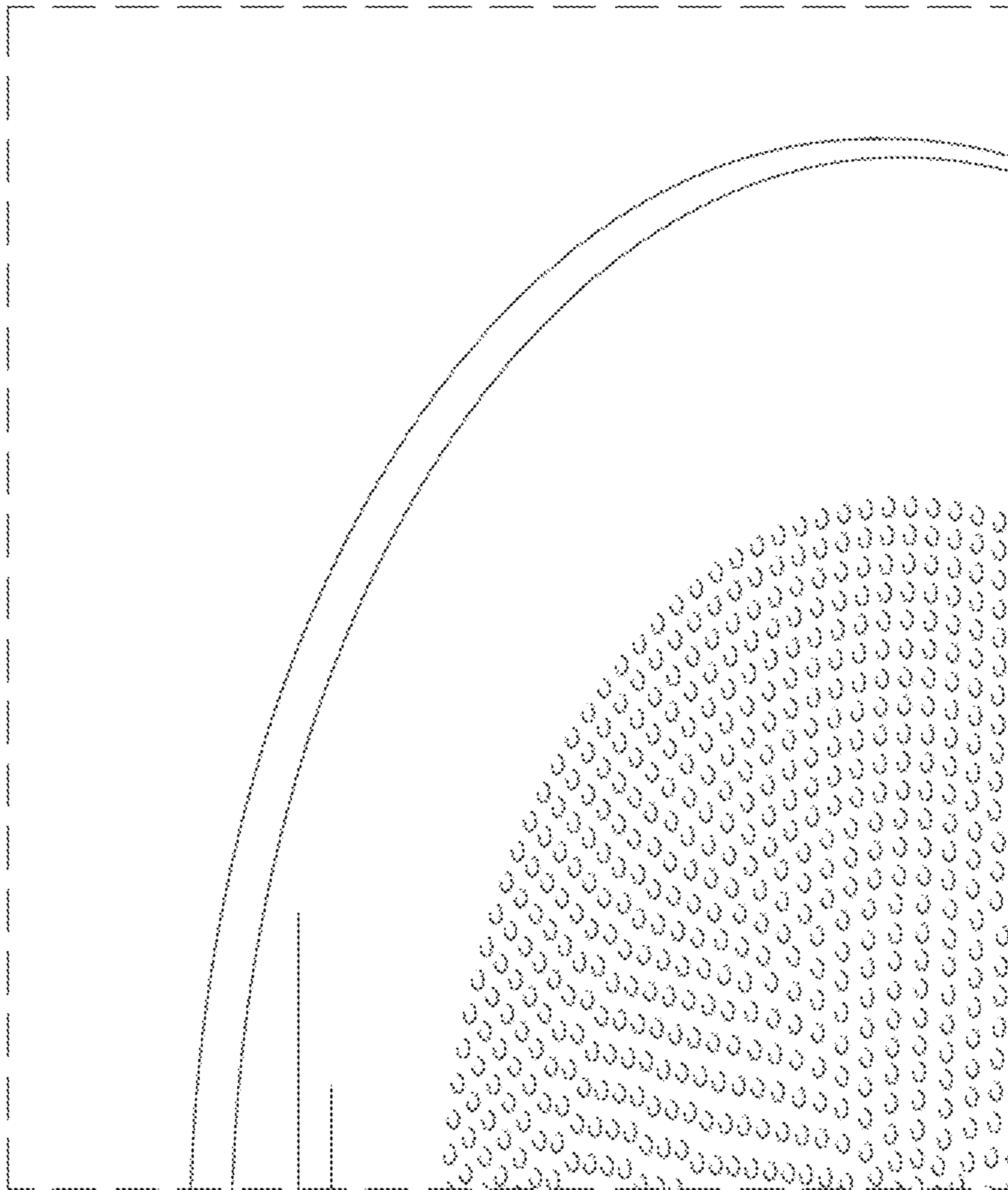


FIG. 8

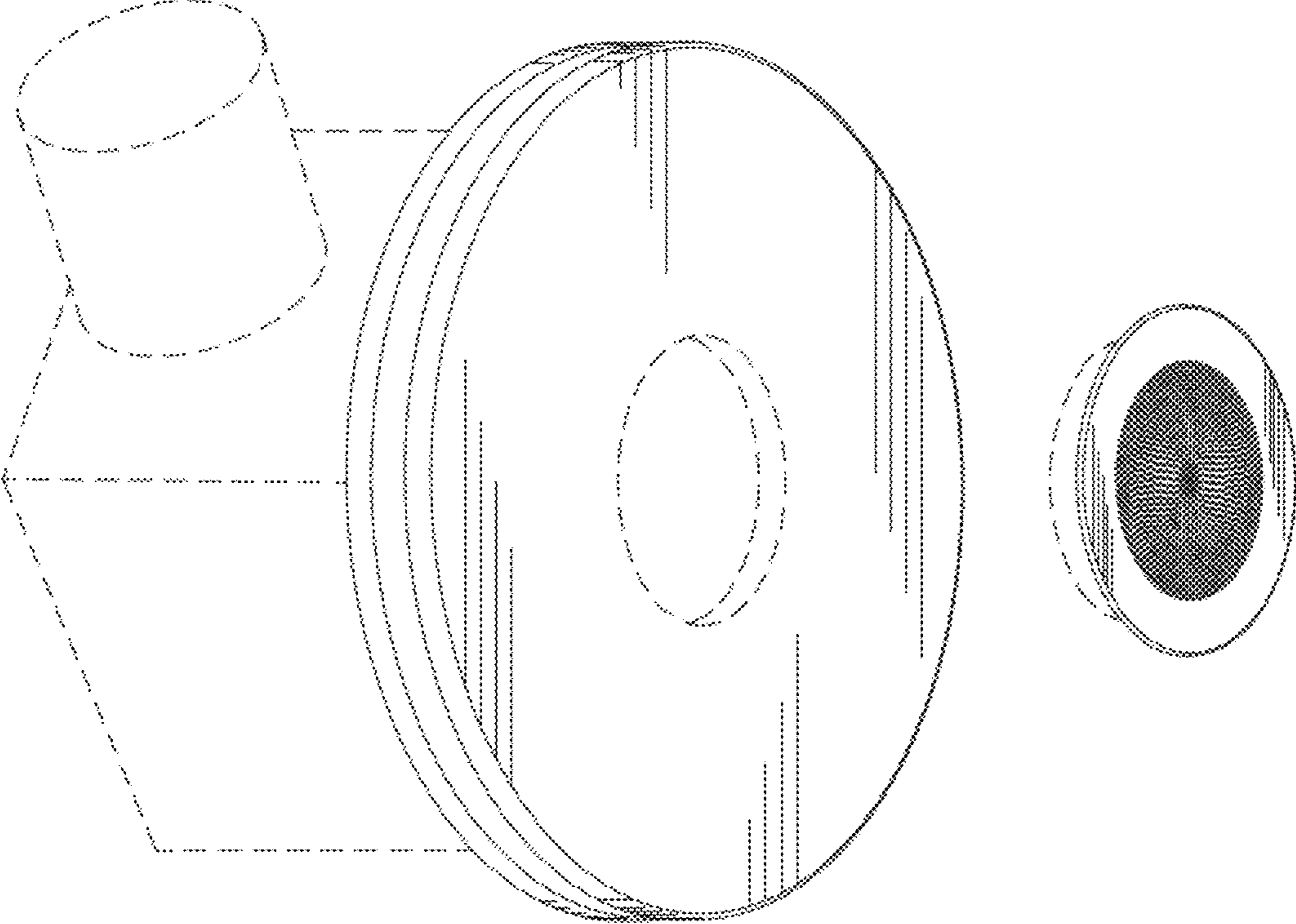


FIG. 9