



US00D956942S

(12) **United States Design Patent** (10) **Patent No.:** **US D956,942 S**
Santiago (45) **Date of Patent:** **** Jul. 5, 2022**

(54) **AIR FRESHENER HOLDER**

A45D 40/24; A45D 40/262; A47G 7/044;
A47B 81/04; A45F 3/16; A45F 5/00;
A45F 2200/0583

(71) Applicant: **William Santiago**, North Bergen, NJ
(US)

See application file for complete search history.

(72) Inventor: **William Santiago**, North Bergen, NJ
(US)

(56) **References Cited**

U.S. PATENT DOCUMENTS

D412,116	S	*	7/1999	DuCorday	D9/434
D415,683	S	*	10/1999	DuCorday	D9/434
D420,912	S	*	2/2000	Vaught	D9/435
D430,030	S	*	8/2000	DuCorday	D9/443
D430,490	S	*	9/2000	DuCorday	D9/443
D526,560	S	*	8/2006	Poitrey	D8/395
D537,330	S	*	2/2007	Cox	D8/395

(Continued)

(**) Term: **15 Years**

(21) Appl. No.: **29/700,971**

(22) Filed: **Aug. 7, 2019**

(51) **LOC (13) Cl.** **23-04**

(52) **U.S. Cl.**
USPC **D23/368**

(58) **Field of Classification Search**

USPC D23/366, 368; D9/414, 416, 417, 420,
D9/434, 435, 443, 446, 455; D8/349,
D8/354, 373, 380, 381, 382, 383, 394,
D8/395; D24/110, 112, 115, 118, 121,
D24/127, 128, 162, 185, 186, 194, 196,
D24/199, 227; D7/300, 387, 393, 396,
D7/398, 401, 1, 600.1, 601, 602, 701,
D7/637, 619.1, 622; D12/400, 415, 417,
D12/420, 187, 191, 223

CPC B65D 85/8064; B65D 85/8043; B65D
77/20; B65D 25/48; B65D 2543/00046;
B65D 2543/00092; B65D 2585/56; B65D
2585/545; B65D 25/54; B65D 23/104;
B65D 23/108; B65D 1/0246; B65D
1/0284; B65D 41/62; A47J 31/407; A47J
31/04; A47J 31/10; A47J 31/24; A47J
47/16; A47J 47/00; A23F 5/24; B05B
11/0032; B05B 11/0027; B05B 11/3004;
B05B 11/3015; B05B 11/306; B05B
11/3064; B05B 11/3059; B65B 29/06;
A45D 33/24; A45D 33/26; A45D 33/28;
A45D 34/00; A45D 34/04; A45D 34/06;
A45D 34/041; A45D 40/00; A45D 40/02;
A45D 40/06; A45D 40/18; A45D 40/20;

OTHER PUBLICATIONS

KMSCO Car Air Fresheners: Announced Jul. 1, 2021 [online]. Site Visited [Apr. 1, 2022]. Available from URL:https://www.amazon.com/dp/B097BMH8S1?pd_rd_i=B097BMH8S1&pd_rd_w=6Sui6&pf_rd_p=7672bfb7-93b0-4322-b745-2104db09c4df&pd_rd_wg=7aziW&pf_rd_r=SKJ8HWD6NMTAFRMB7FQ&pd_rd_r=fe58d98d-b990-49f4-9d1b-b2ac014c9503.*

Primary Examiner — Catherine S Posthauer

(74) *Attorney, Agent, or Firm* — Michael J. Feigin, Esq.;
Feigin and Fridman LLC

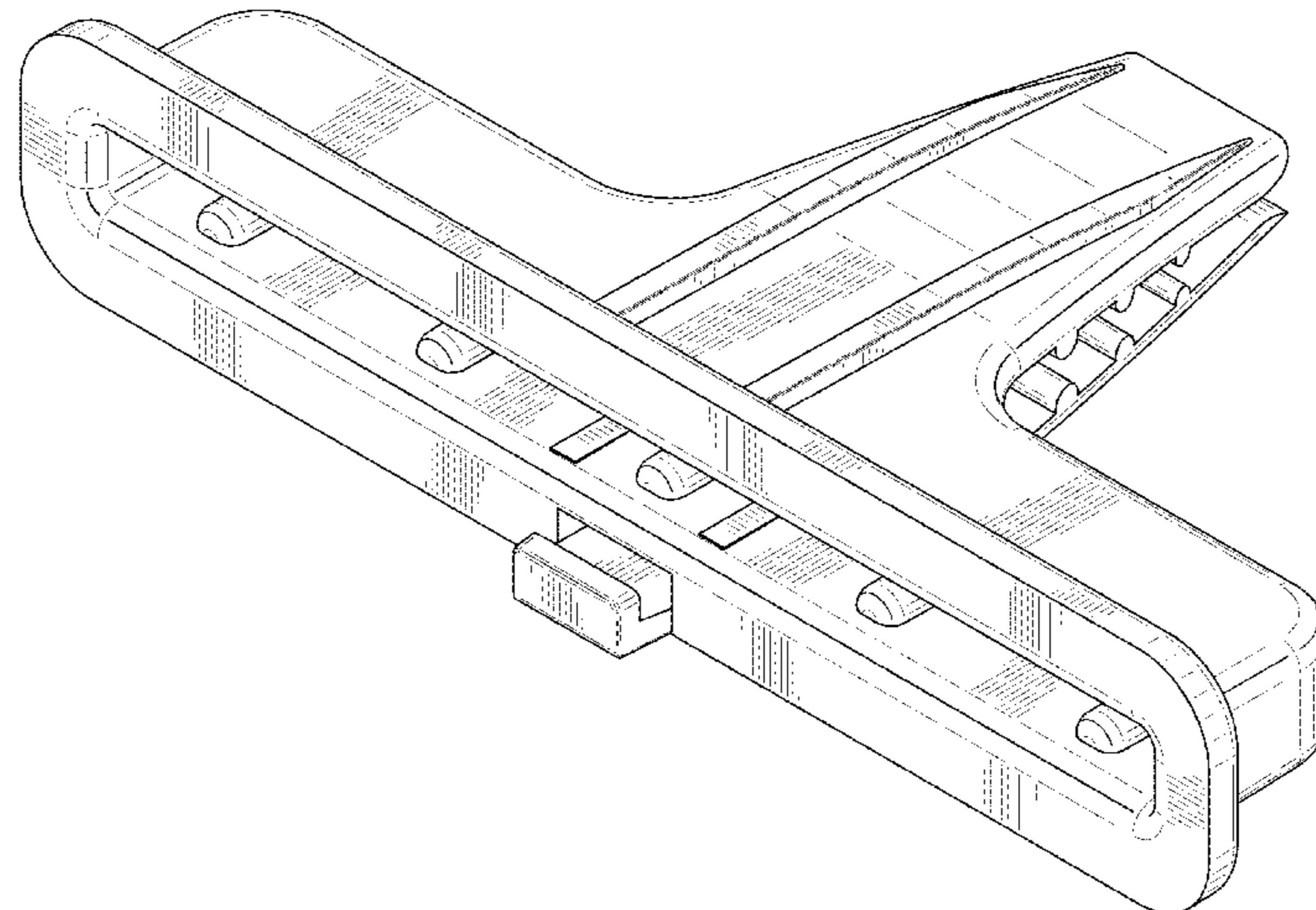
(57) **CLAIM**

The ornamental design for an air freshener holder, as shown.

DESCRIPTION

FIG. 1 shows a top and side perspective view of an air freshener holder showing my new design;
FIG. 2 shows a top plan view thereof.
FIG. 3 shows a bottom plan view thereof.
FIG. 4 shows a front elevation view thereof.
FIG. 5 shows a rear elevation view thereof.
FIG. 6 shows a side elevation view thereof, the reverse side being a mirror image thereof;
FIG. 7 shows a cross sectional view, taken in the direction of line 7-7 on FIG. 2; and,
FIG. 8 shows a cross sectional view, taken in the direction of line 8-8 on FIG. 2.

1 Claim, 5 Drawing Sheets



(56)

References Cited

U.S. PATENT DOCUMENTS

D550,550	S *	9/2007	Lee	D8/395
D561,319	S *	2/2008	Weggelaar	D23/366
D631,954	S *	2/2011	Bertassi	D23/366
D663,816	S *	7/2012	Tebe Poves	D23/366
D702,833	S *	4/2014	Cecchi	D24/128
D738,990	S *	9/2015	Gerhards	D23/208
D750,199	S *	2/2016	Gerhards	D23/208
D750,200	S *	2/2016	Gerhards	D23/208
D752,965	S *	4/2016	Blaney	D8/394
D757,533	S *	5/2016	Ormsbee	D8/395
D808,787	S *	1/2018	Kinsky	D8/395
D820,979	S *	6/2018	Koehler	D24/128
D823,103	S *	7/2018	Glasscock	D8/395
D829,541	S *	10/2018	Montgomery	D8/395
D830,159	S *	10/2018	Montgomery	D8/395
D847,983	S *	5/2019	Ho	D24/128
D865,644	S *	11/2019	Furuya	D12/408
D870,547	S *	12/2019	Liao	D8/394
D881,368	S *	4/2020	Yu	D23/366
D893,696	S *	8/2020	Vicondo Fontanella	D23/366
D913,470	S *	3/2021	Kim	D23/366
D931,995	S *	9/2021	Powal	D23/366
D935,592	S *	11/2021	Gobber	D23/366
2015/0283883	A1 *	10/2015	Schouten	B60H 3/0028 239/57
2017/0232128	A1 *	8/2017	Esses	H01R 24/28 422/4

* cited by examiner

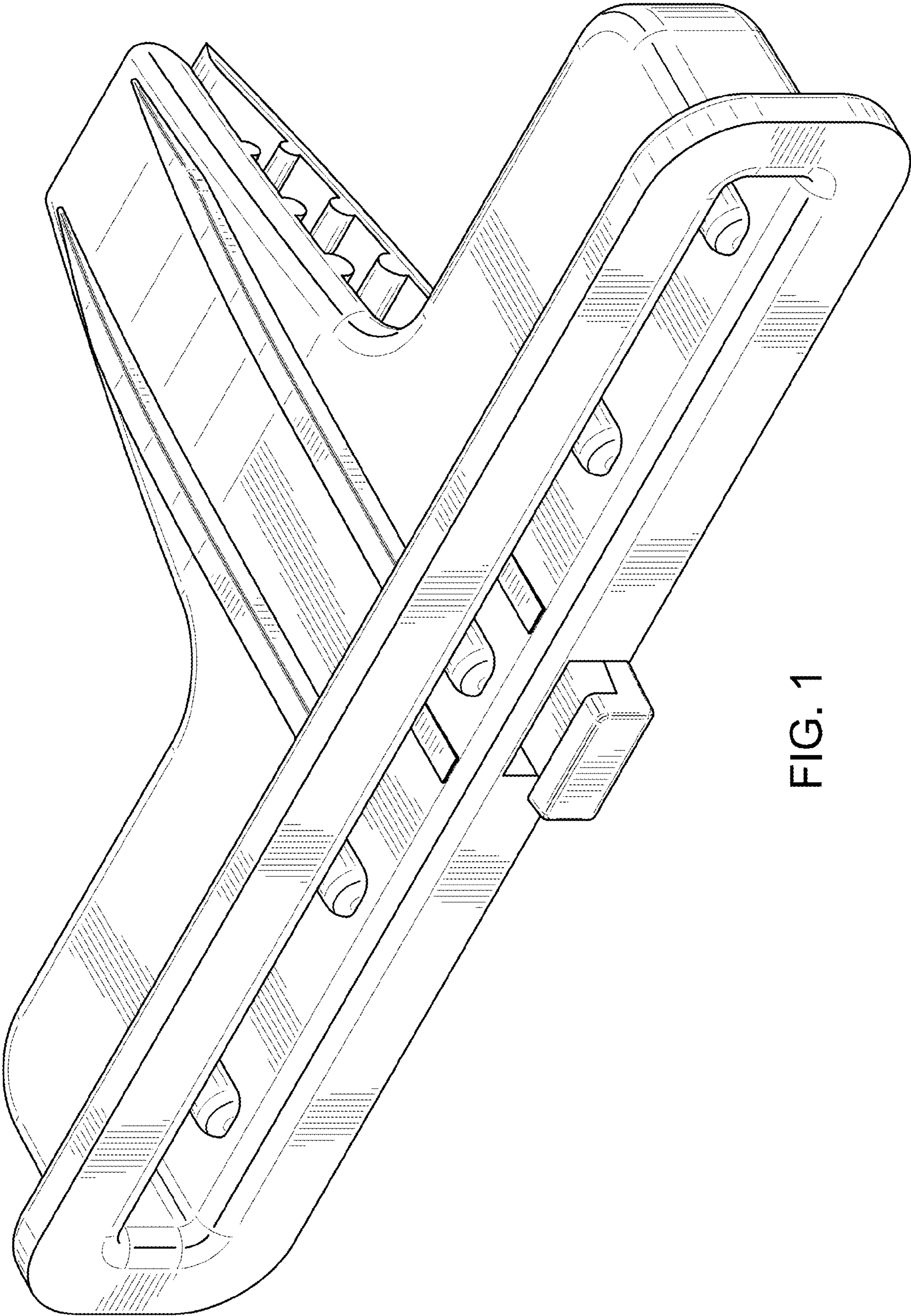


FIG. 1

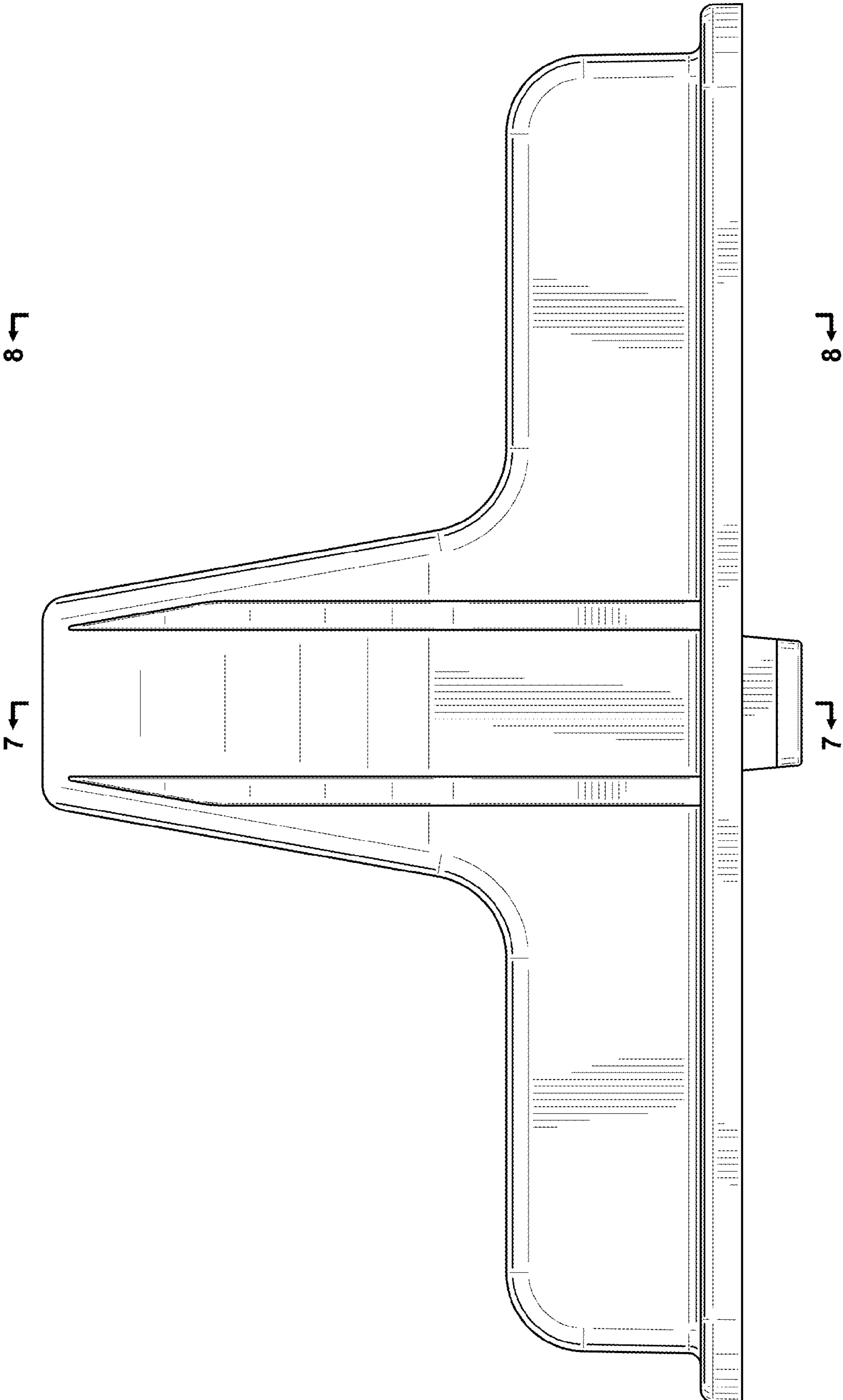


FIG. 2

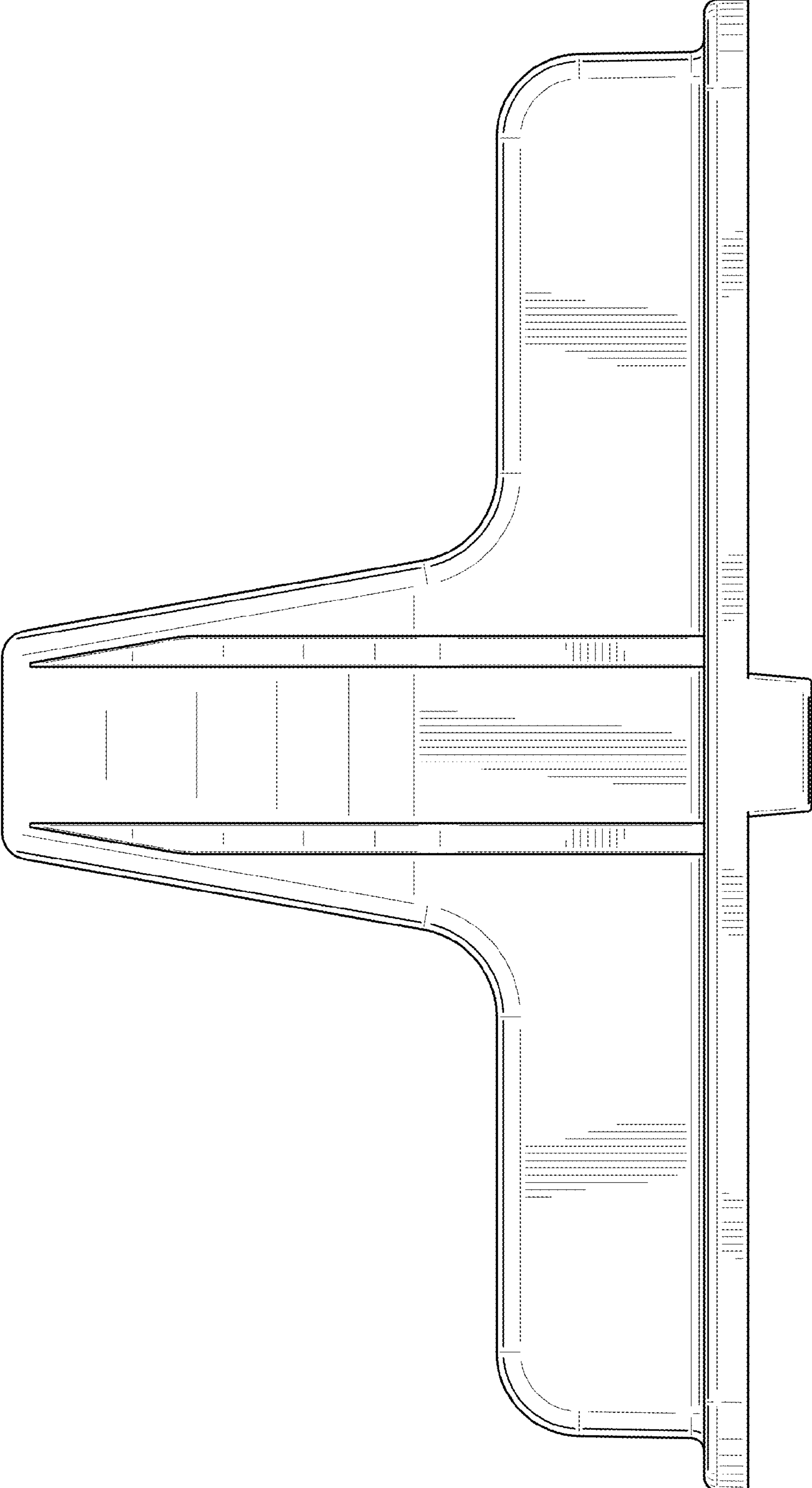


FIG. 3

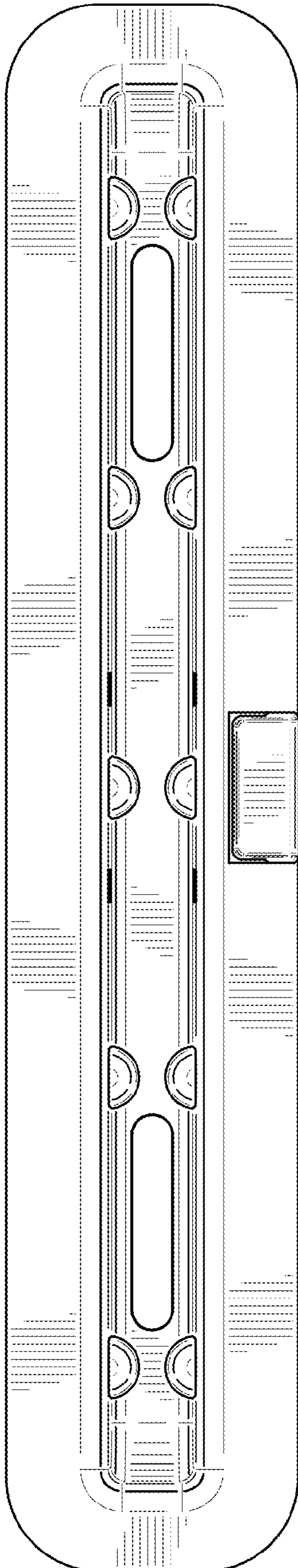


FIG. 4

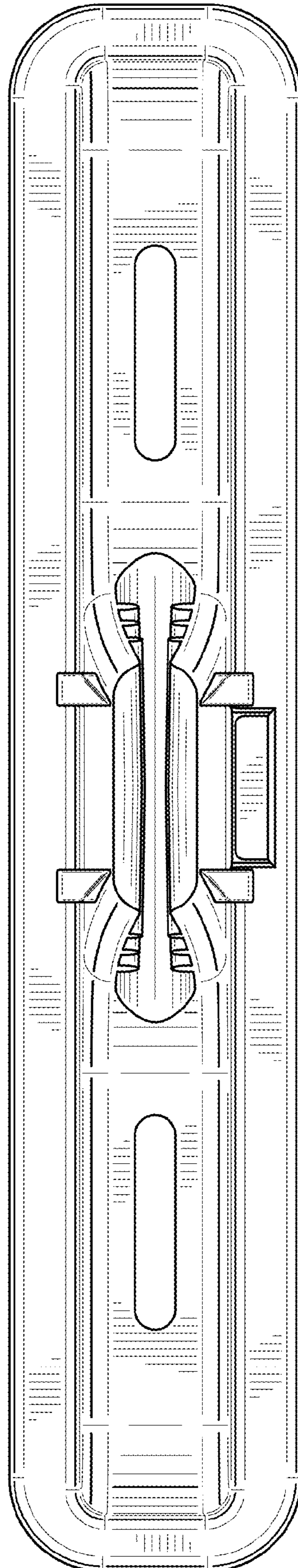


FIG. 5

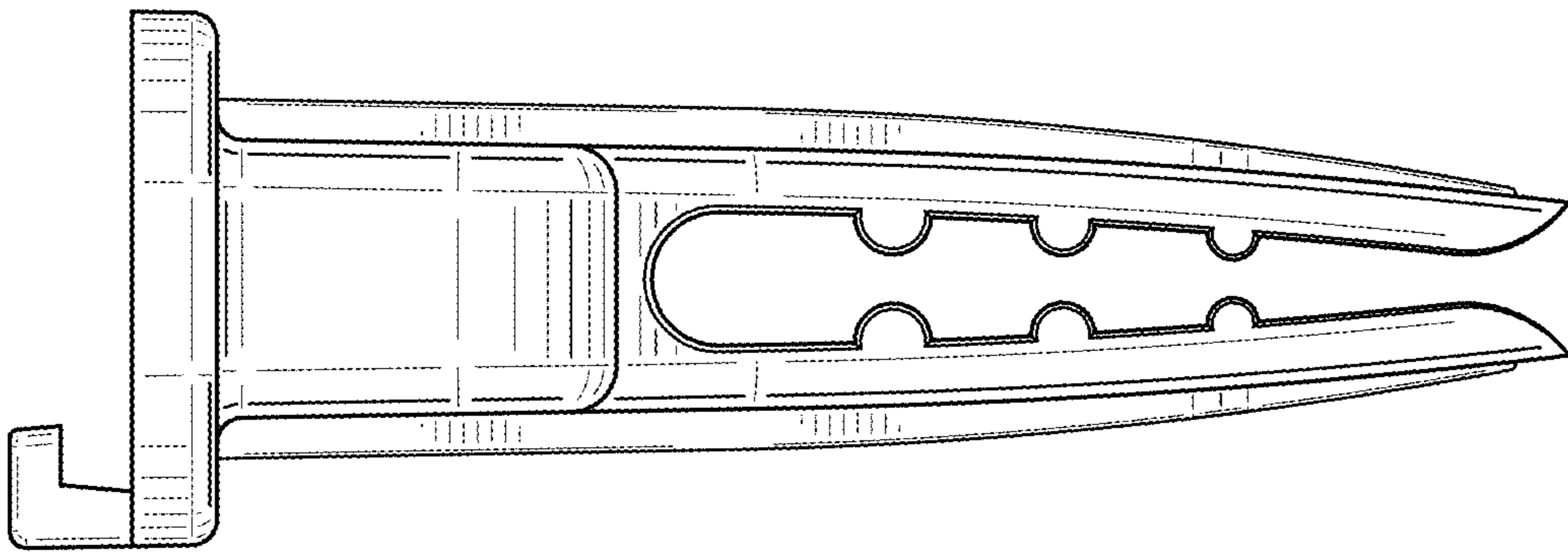


FIG. 6

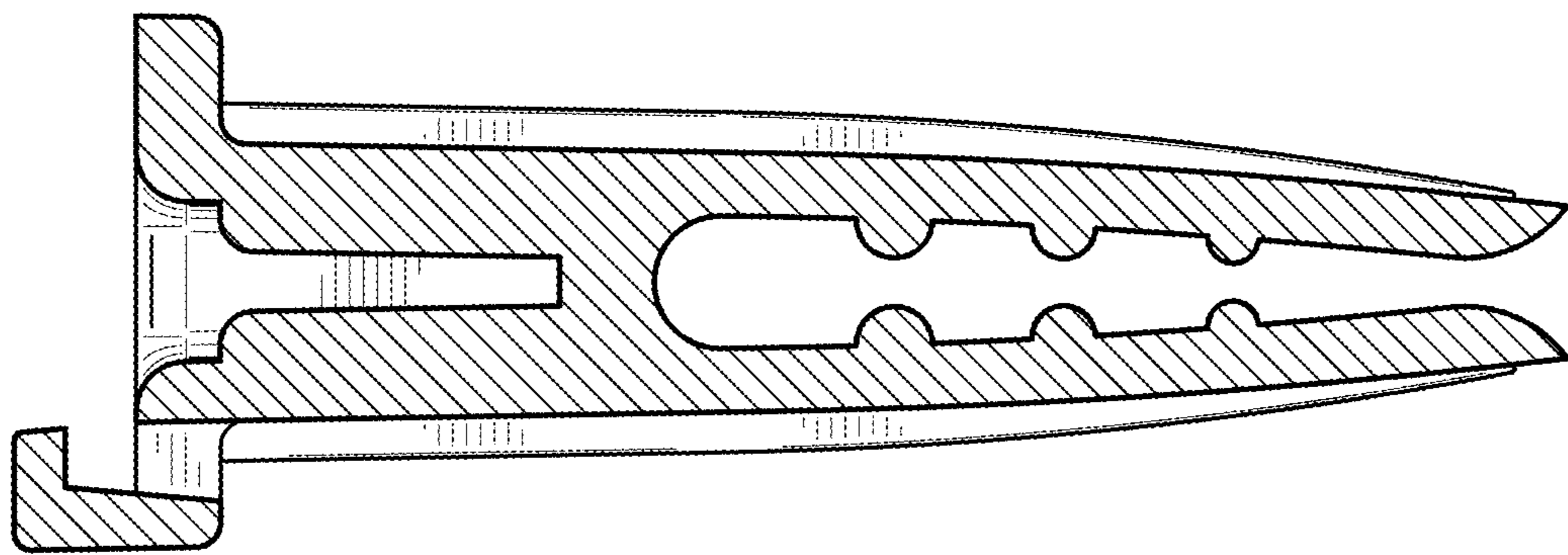


FIG. 7

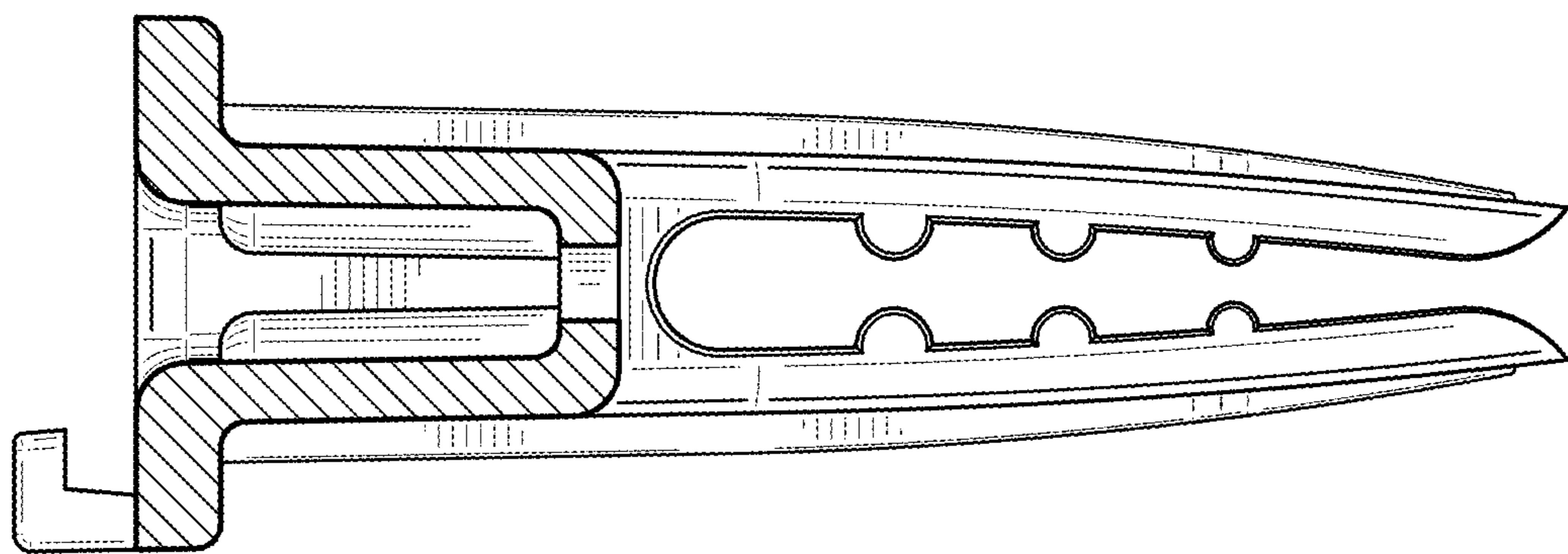


FIG. 8