



US00D956941S

(12) **United States Design Patent**
Yan

(10) **Patent No.:** **US D956,941 S**
(45) **Date of Patent:** **** Jul. 5, 2022**

- (54) **AIR PURIFIER**
- (71) Applicant: **Shenzhen Puremate Technology Co., Ltd.**, Shenzhen (CN)
- (72) Inventor: **Yiqing Yan**, Shenzhen (CN)
- (73) Assignee: **SHENZHEN PUREMATE TECHNOLOGY CO., LTD.**, Shenzhen (CN)
- (**) Term: **15 Years**
- (21) Appl. No.: **29/769,683**
- (22) Filed: **Feb. 7, 2021**

D876,599 S *	2/2020	He	D23/364
D877,875 S *	3/2020	Shin	D23/364
D909,556 S *	2/2021	Chen	F24F 11/30
				D23/356
D944,958 S *	3/2022	Yan	D23/364
D947,334 S *	3/2022	Wen	D23/359
D947,342 S *	3/2022	Xu	D23/364
D948,017 S *	4/2022	Chen	D23/364
D948,018 S *	4/2022	Li	D23/364
D948,689 S *	4/2022	Shen	F24F 11/30
				D23/356
D948,693 S *	4/2022	Li	D23/364
D948,694 S *	4/2022	Wang	D23/364

* cited by examiner

Primary Examiner — David G Muller
(74) *Attorney, Agent, or Firm* — Westbridge IP LLC

- (30) **Foreign Application Priority Data**
- Jan. 15, 2021 (CN) 202130029112.0
- (51) **LOC (13) Cl.** **23-04**
- (52) **U.S. Cl.**
- USPC **D23/364**
- (58) **Field of Classification Search**
- USPC D23/355-366, 352, 369, 332, 333, 335,
D23/336, 342, 351; 422/120, 122;
55/356, 473, 504; 96/97; 261/DIG. 17,
261/DIG. 65, DIG. 88, DIG. 31
- CPC .. A61L 9/16; A61L 9/22; B01D 47/00; B01D
47/027; B01D 2221/02; B01D 2259/4508;
B03C 3/155; B03C 3/368; F24F 3/16;
F24F 13/20; F24F 13/28
- See application file for complete search history.

(57) **CLAIM**

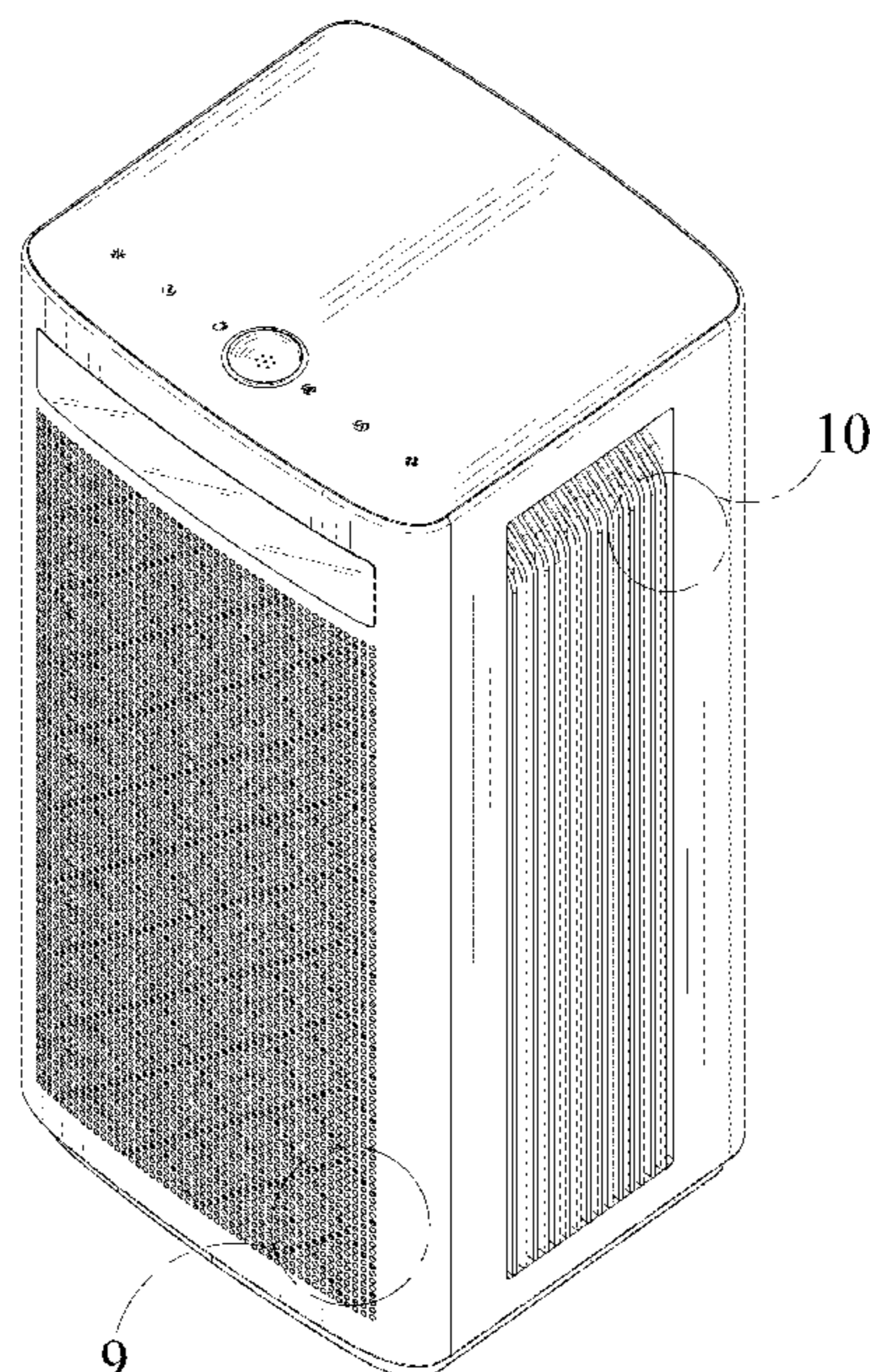
The ornamental design for an air purifier, as shown and described.

DESCRIPTION

FIG. 1 is a top, front and right side perspective view of an air purifier showing my new design;
 FIG. 2 is a bottom, front and right side perspective view thereof;
 FIG. 3 is a front elevational view thereof;
 FIG. 4 is a rear elevational view thereof;
 FIG. 5 is a left side elevational view thereof;
 FIG. 6 is a right side elevational view thereof;
 FIG. 7 is a top plan view thereof;
 FIG. 8 is a bottom plan view thereof;
 FIG. 9 is an enlarged view of portion 9 of FIG. 1; and,
 FIG. 10 is an enlarged view of portion 10 of FIG. 1.
 The broken lines in the drawings illustrate the portions of the air purifier which form no part of the claimed design.

- (56) **References Cited**
- U.S. PATENT DOCUMENTS
- D837,354 S * 1/2019 Su D23/364
- D862,673 S * 10/2019 Tang D23/364

1 Claim, 10 Drawing Sheets



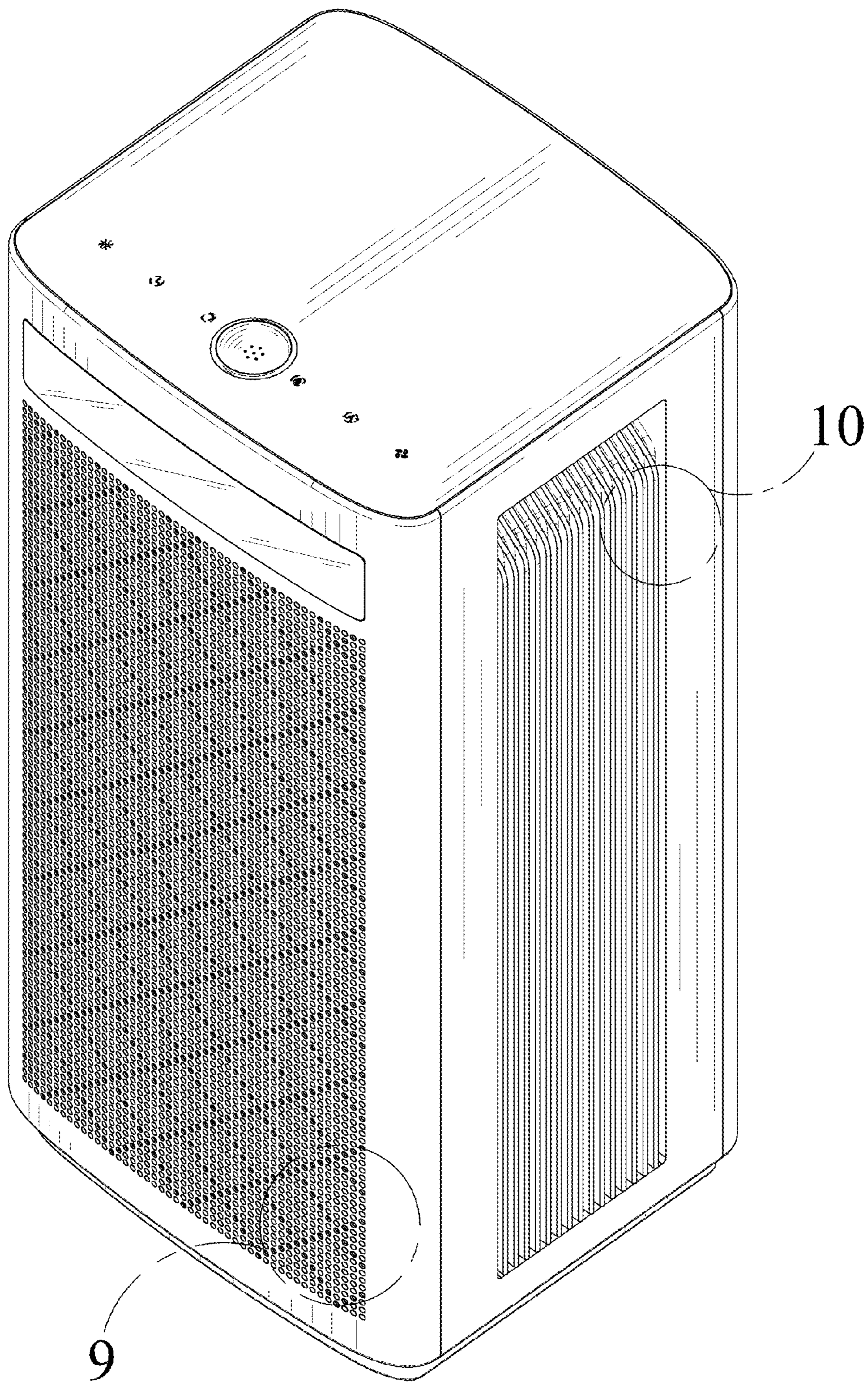


FIG.1

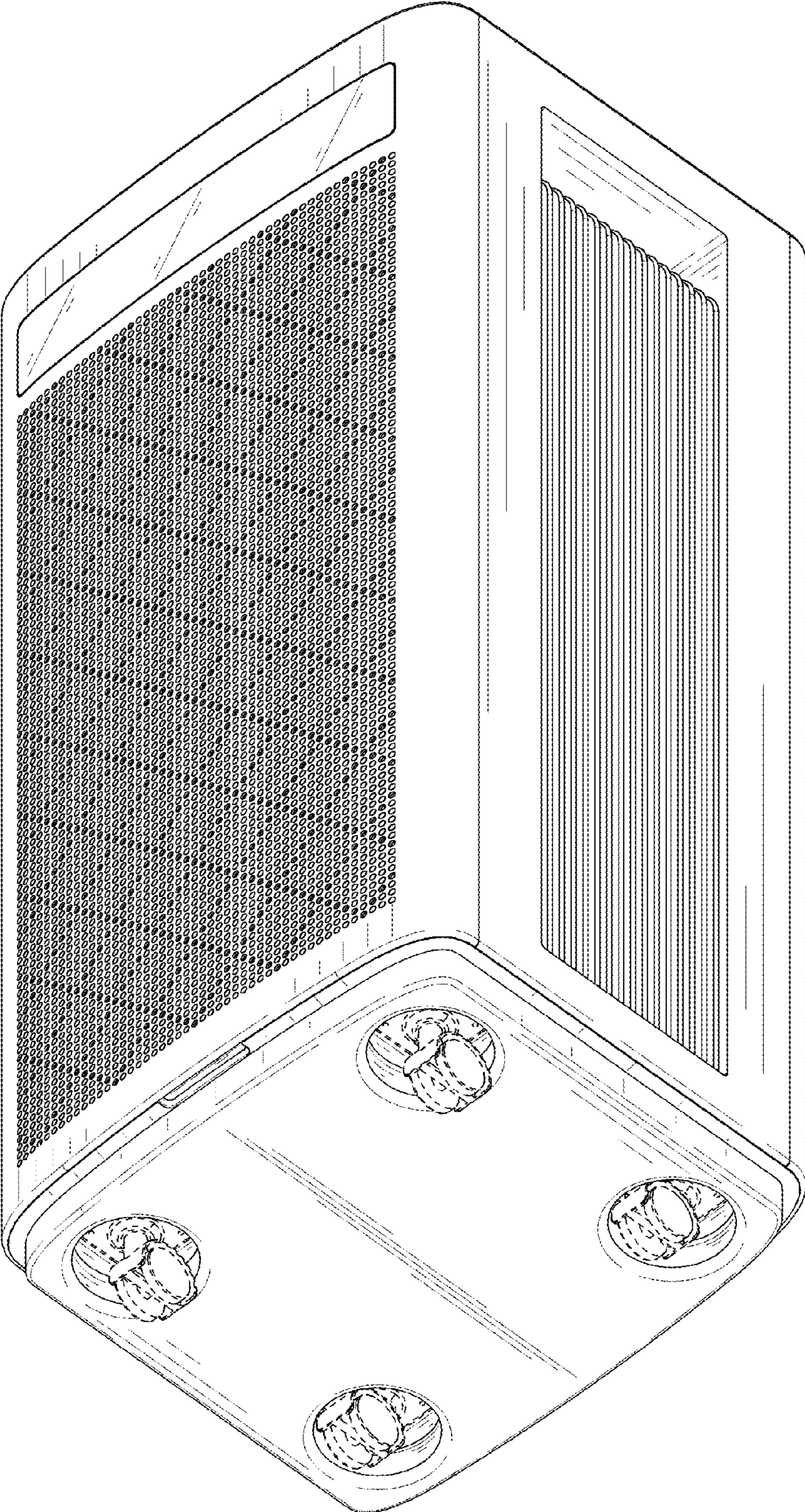


FIG.2

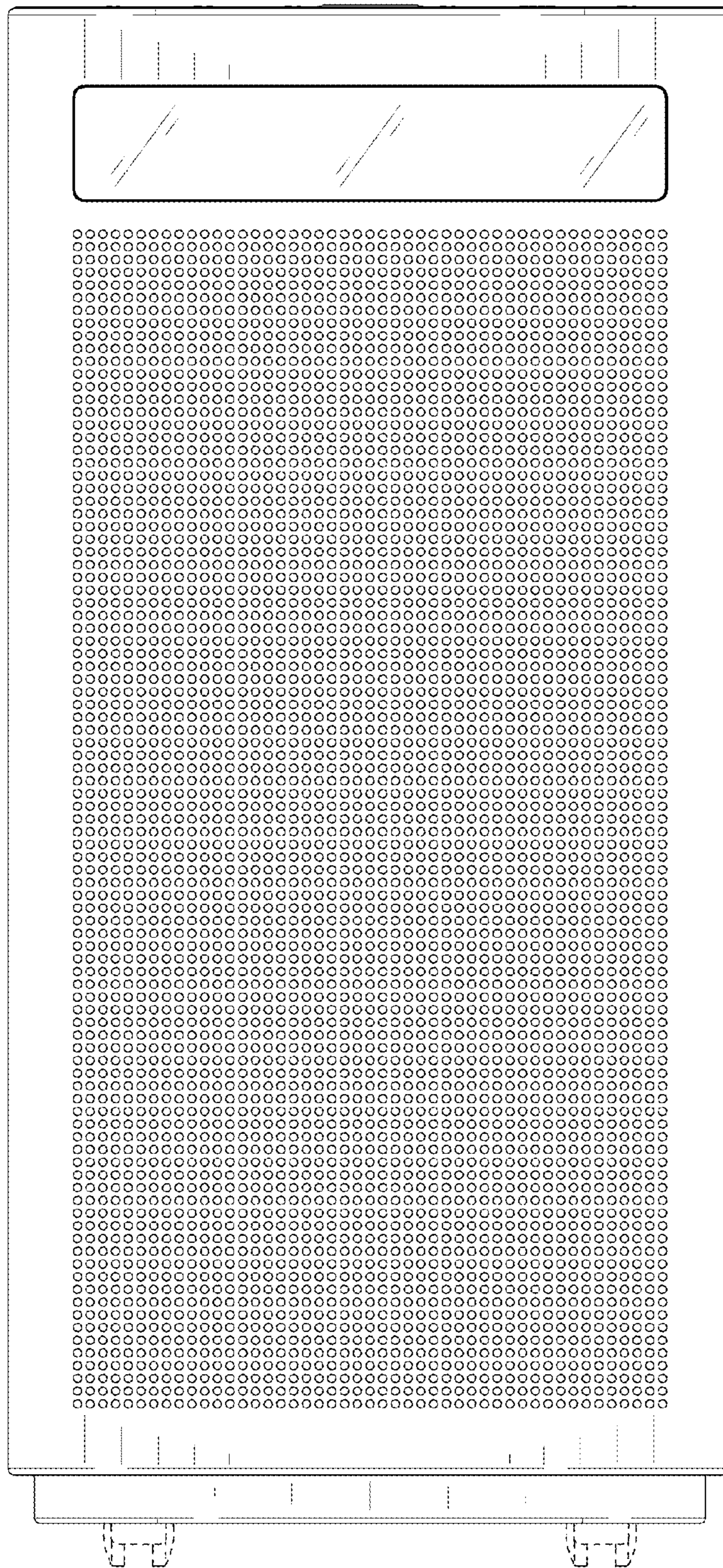


FIG. 3

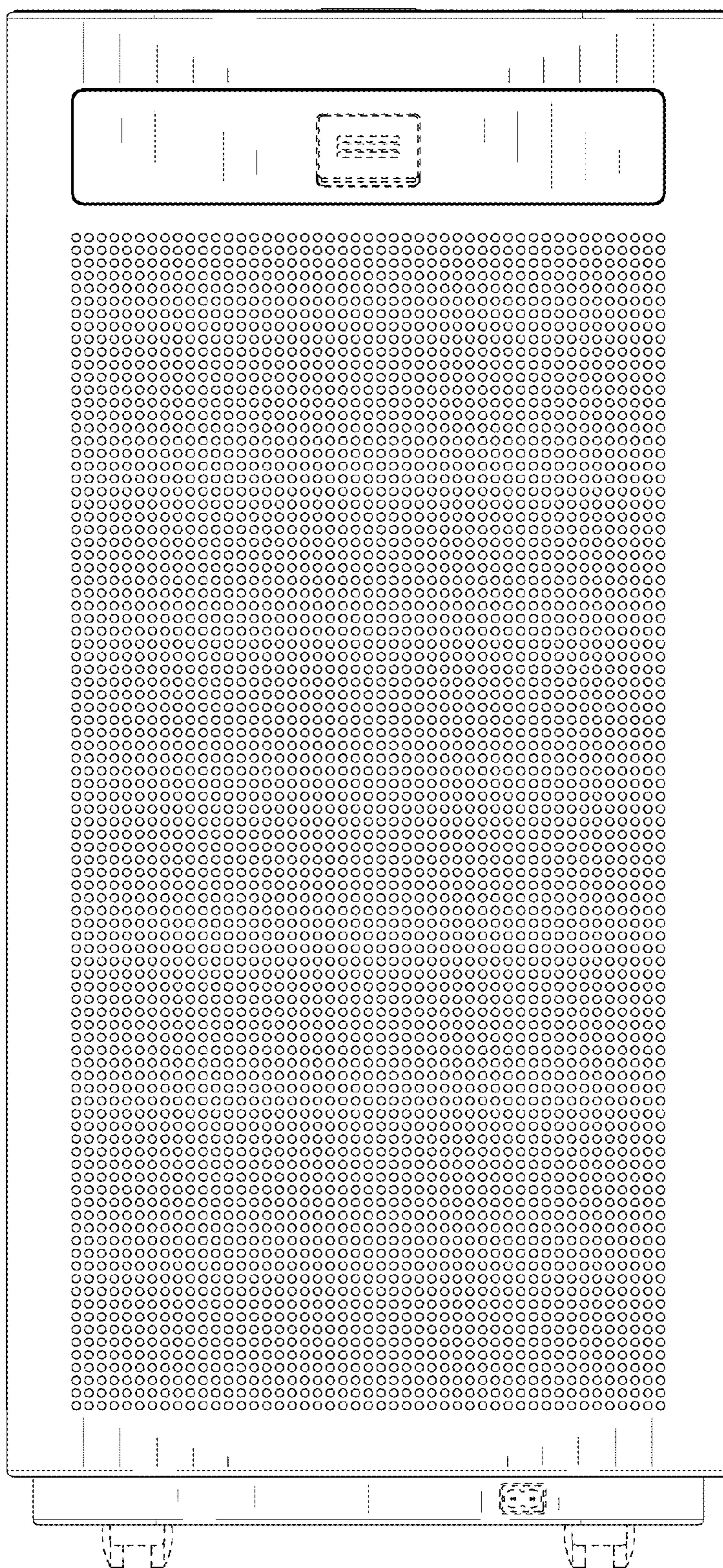


FIG. 4

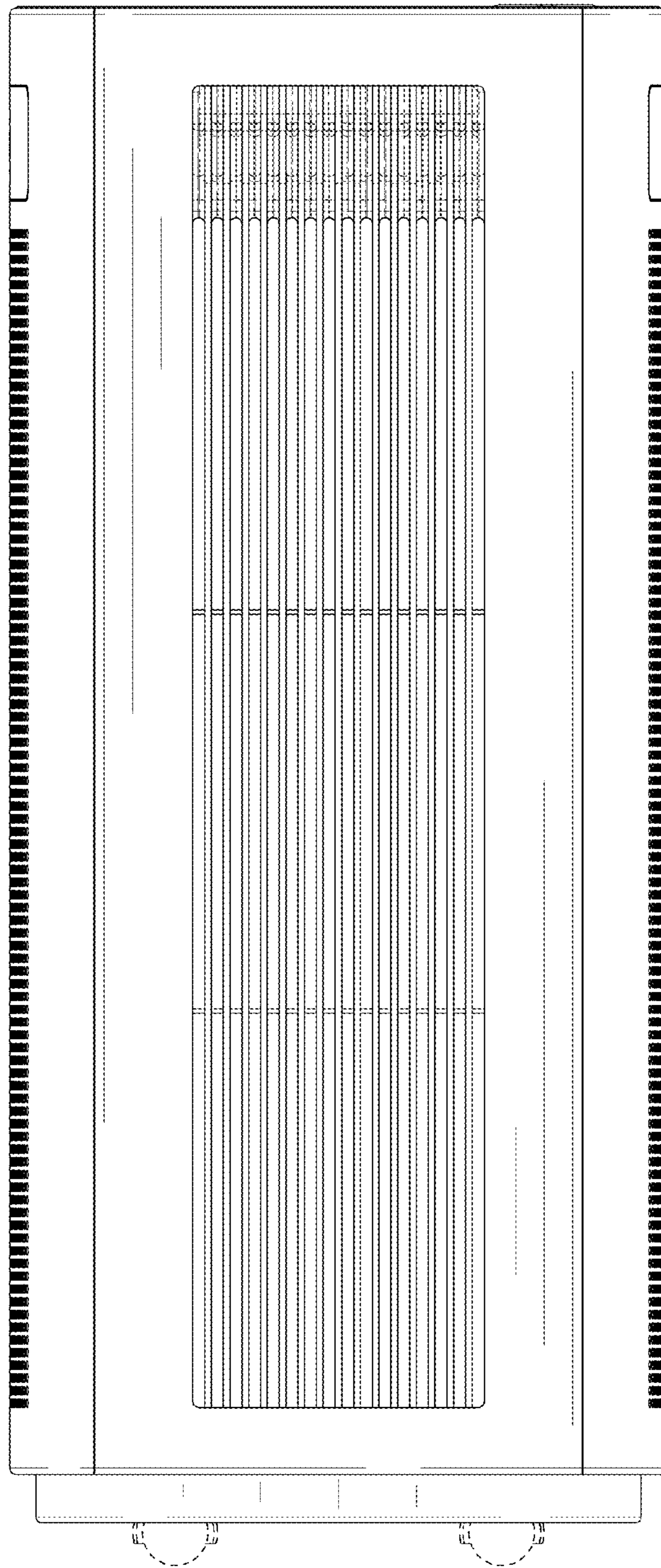


FIG.5

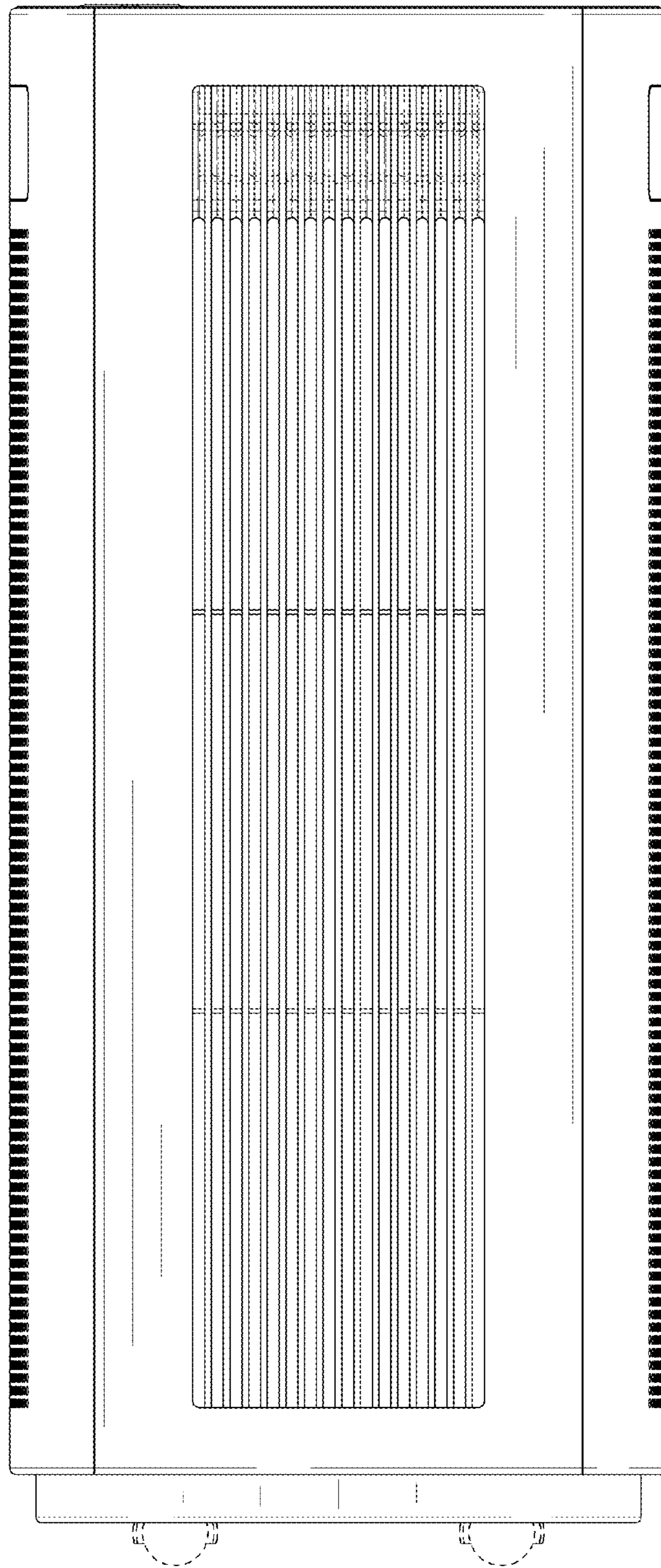


FIG.6

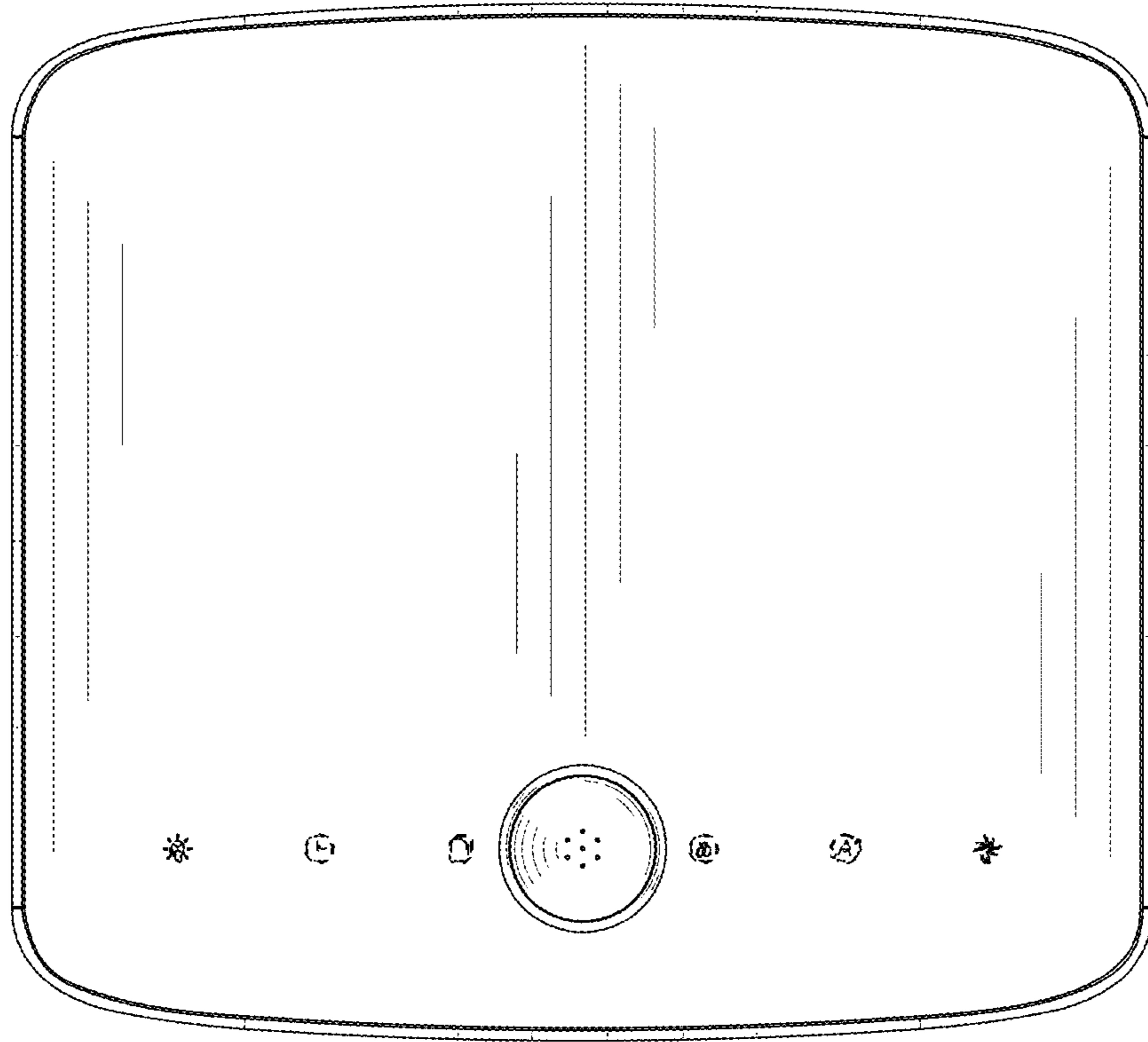


FIG. 7

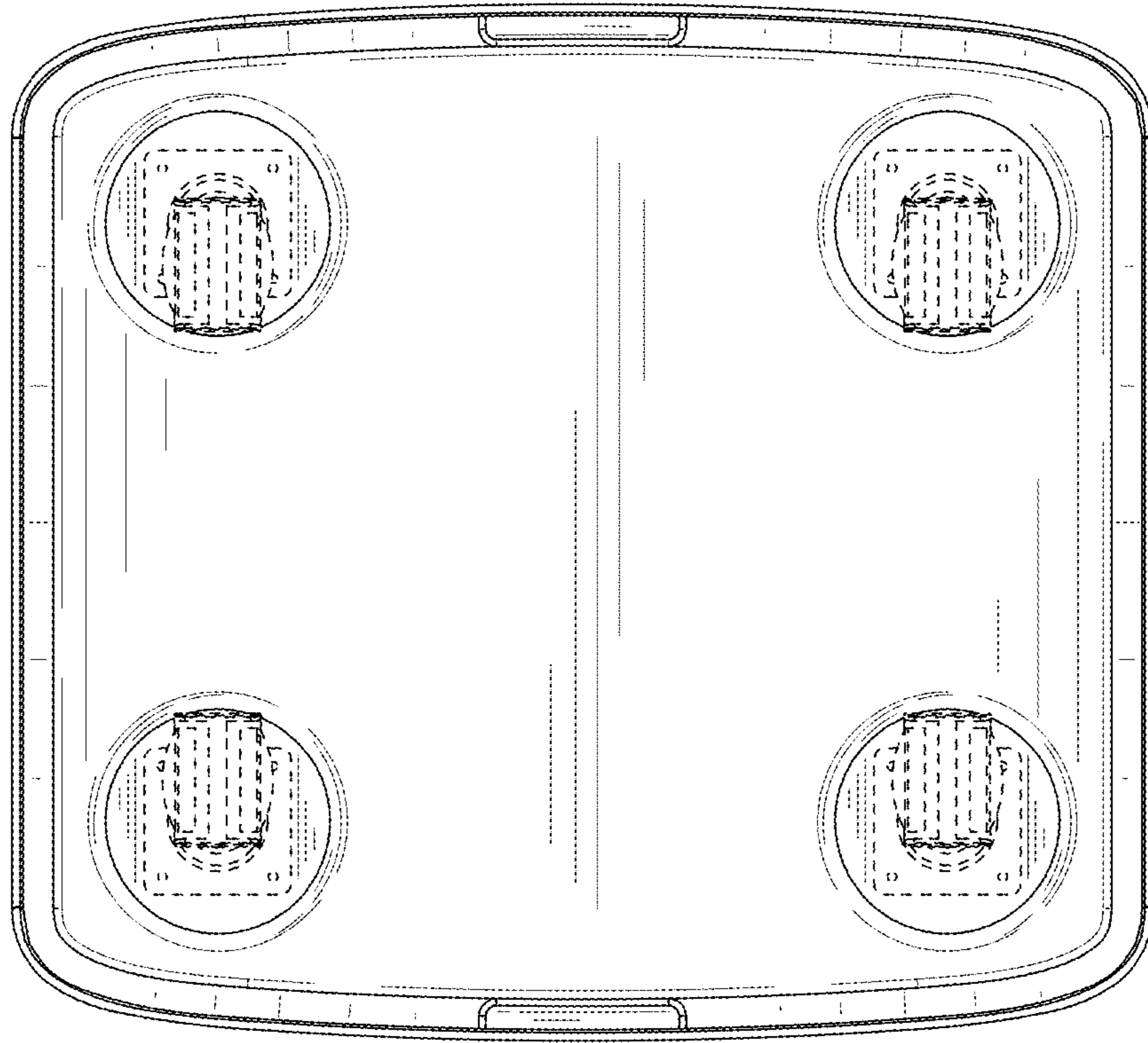


FIG.8

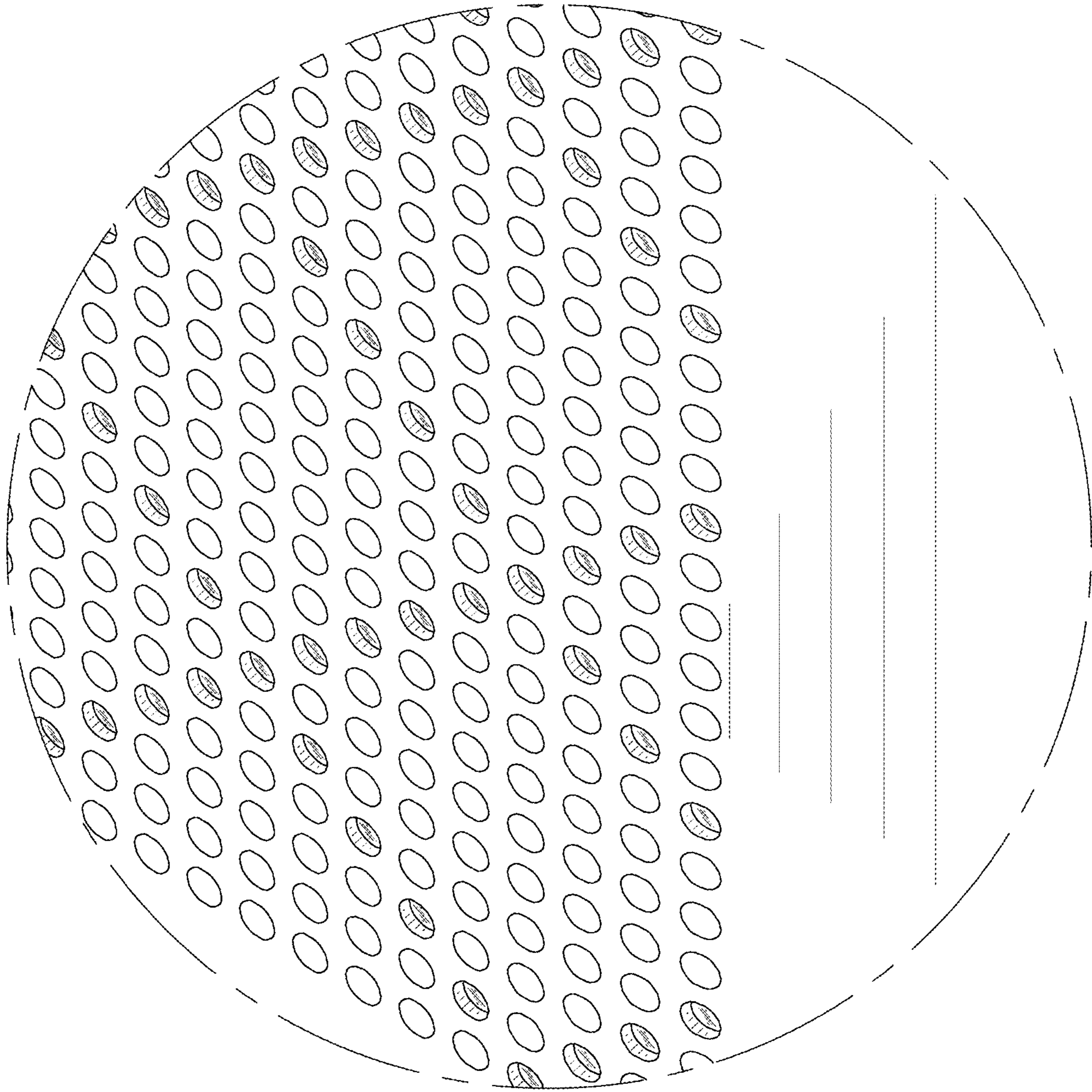


FIG. 9

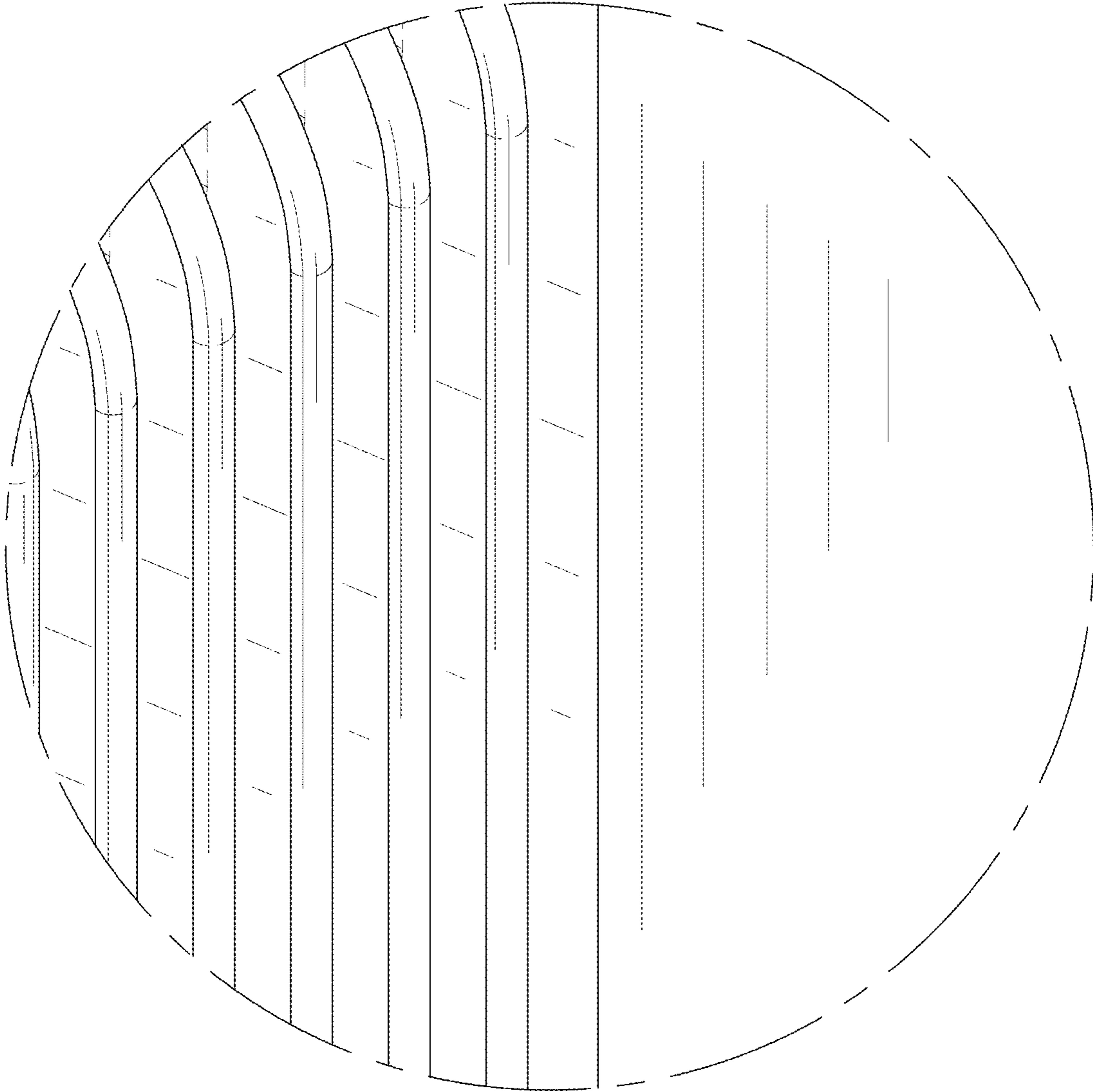


FIG.10