



US00D956940S

(12) **United States Design Patent** (10) **Patent No.:** **US D956,940 S**
Meda et al. (45) **Date of Patent:** **** Jul. 5, 2022**

(54) **FILTER HOUSING**
(71) Applicant: **Dometic Sweden AB**, Solna (SE)
(72) Inventors: **Samuele Meda**, Solna (SE); **Rickard Hederstierna**, Hägersten (SE); **Jason Svarc**, Victoria (AU)
(73) Assignee: **Dometic Sweden AB**, Solna (SE)
(**) Term: **15 Years**
(21) Appl. No.: **29/715,592**
(22) Filed: **Dec. 3, 2019**

(30) **Foreign Application Priority Data**
Jun. 5, 2019 (EM) 006567111
(51) **LOC (13) Cl.** **23-04**
(52) **U.S. Cl.**
USPC **D23/364**
(58) **Field of Classification Search**
USPC D23/332-333, 335, 352, 355-365, 369
CPC A61L 9/16; A61L 9/22; B01D 47/027;
B01D 2221/02; B01D 2259/4508; F24F
3/16; F24F 13/20; F24F 13/28
See application file for complete search history.

(56) **References Cited**
U.S. PATENT DOCUMENTS
2,232,108 A 2/1941 Giacomini
2,550,353 A 4/1951 Hopfinger
D259,708 S * 6/1981 Swinstead D10/80
4,530,817 A 7/1985 Hoelter et al.
D282,000 S * 12/1985 Madl D23/364
4,953,449 A 9/1990 Jackson
D344,791 S * 3/1994 Cuning D23/364
D354,343 S * 1/1995 Goldstein D23/332
5,679,074 A 10/1997 Siegel
D396,526 S * 7/1998 Boyle D23/332
D419,241 S * 1/2000 Northcott D23/365
D429,804 S * 8/2000 Rossman D23/332

D446,577 S * 8/2001 Barker D23/364
D450,111 S * 11/2001 Stanley D23/364
D543,611 S * 5/2007 Tateishi D23/335
(Continued)

FOREIGN PATENT DOCUMENTS

AU 2007288110 B2 10/2013
AU 2017232204 A1 4/2018
(Continued)

OTHER PUBLICATIONS

CN Patent Application No. 201930646821.6 entitled "Positive Pressure Vent for a Vehicle" filed on Aug. 29, 2018.
(Continued)

Primary Examiner — Karen S Acker
Assistant Examiner — Jonathan E Fiencke
(74) *Attorney, Agent, or Firm* — Middleton Reutlinger

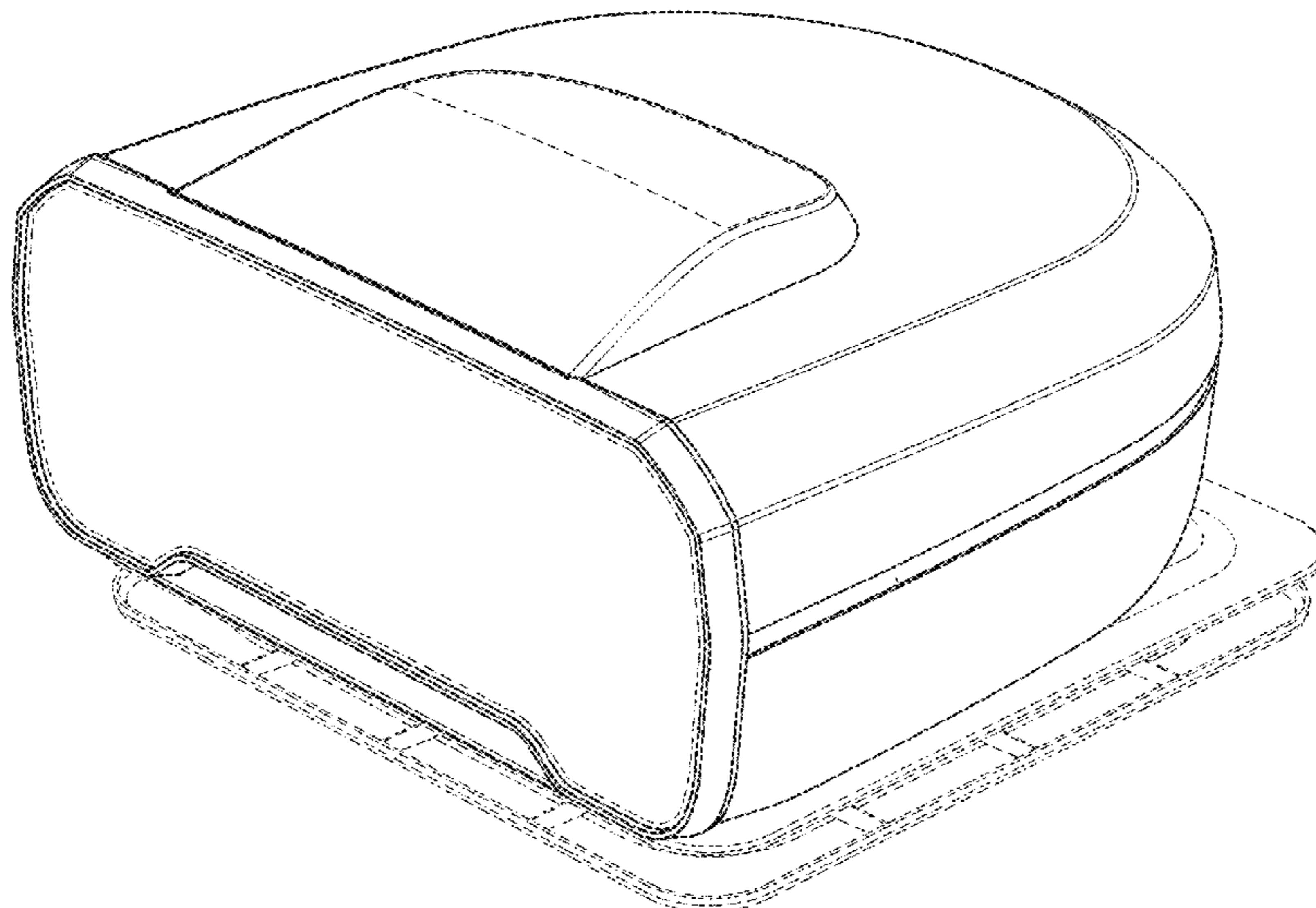
(57) **CLAIM**

The ornamental design for a filter housing, as shown and described.

DESCRIPTION

FIG. 1 is an upper perspective view of a filter housing
FIG. 2 is a front view thereof;
FIG. 3 is a rear view thereof;
FIG. 4 is a first side view thereof;
FIG. 5 is a second side view thereof;
FIG. 6 is a top view thereof; and,
FIG. 7 is a bottom view thereof.
The broken lines illustrating a structure at the bottom of the article depict the portions of the filter housing that form no part of the claimed design. The broken lines of the vertical plane and the upper housing surface within the outer solid lines represent the boundaries of unclaimed areas of the housing.

1 Claim, 5 Drawing Sheets



(56)

References Cited

U.S. PATENT DOCUMENTS

D563,538	S	*	3/2008	Verdura	D23/364
D884,131	S	*	5/2020	Zhu	D23/335
D903,072	S	*	11/2020	Gu	D23/333
2005/0160709	A1		7/2005	Hollis		
2020/0215879	A1		7/2020	Chevalier		
2020/0376933	A1		12/2020	Bilston		

FOREIGN PATENT DOCUMENTS

AU	2017227050	A1	8/2018
AU	201916406		12/2019
AU	201916408		12/2019
AU	201916409		12/2019
EM	006567111-0001		6/2019
EM	006567111-0002		6/2019
EM	006567111-0003		6/2019
EP	1122105	A2	8/2001
EP	1870270	A1	12/2007
FR	2391865	A1	12/1978
GB	1598029	A	9/1981
WO	2017149442	A1	9/2017

OTHER PUBLICATIONS

AU Patent Application No. 201916406 entitled "Rooftop Air vent" filed on Nov. 11, 2019.
 AU Patent Application No. 201916408 entitled "Rooftop Air vent" filed on Nov. 11, 2019.

AU Patent Application No. 201916409 entitled "Rooftop Air vent" filed on Nov. 11, 2019.
 Non Final Office action U.S. Appl. No. 16/080,924 dated Jan. 7, 2021.
 Office action CN Patent Application No. 201930646821.6 dated Apr. 13, 2020.
 U.S. Appl. No. 16/881,529 entitled "Dust Reduction System" filed on May 22, 2020.
 International Search Report and Written Opinion Mailed in PCT Patent Application No. PCT/IB2017/051153 dated May 18, 2017.
 AU Patent Application No. 2016900723 entitled "Dust control vent" filed on Feb. 29, 2016.
 AU Provisional Patent Application No. 2019901797 entitled "Dust reduction device" filed on May 27, 2019.
 U.S. Appl. No. 16/080,924 entitled "Positive Pressure Vent for a Vehicle", filed Aug. 29, 2018.
 International Preliminary Report On Patentability Mailed in PCT Patent Application No. PCT/IB2017/051153 dated Sep. 4, 2018.
 Final Office Action Issued in U.S. Appl. No. 16/080,924 dated Jul. 12, 2021.
 Notification of Grant Issued in CN Application No. 201930646821.6 dated Jul. 14, 2020.
 Notice of Allowance Issued in U.S. Appl. No. 16/080,924 dated Oct. 6, 2021.
 Corrected Notice of Allowance Issued in U.S. Appl. No. 16/080,924 dated Oct. 20, 2021.
 Examination Report Issued in Australia Application No. 2017227050 dated Feb. 14, 2022.

* cited by examiner

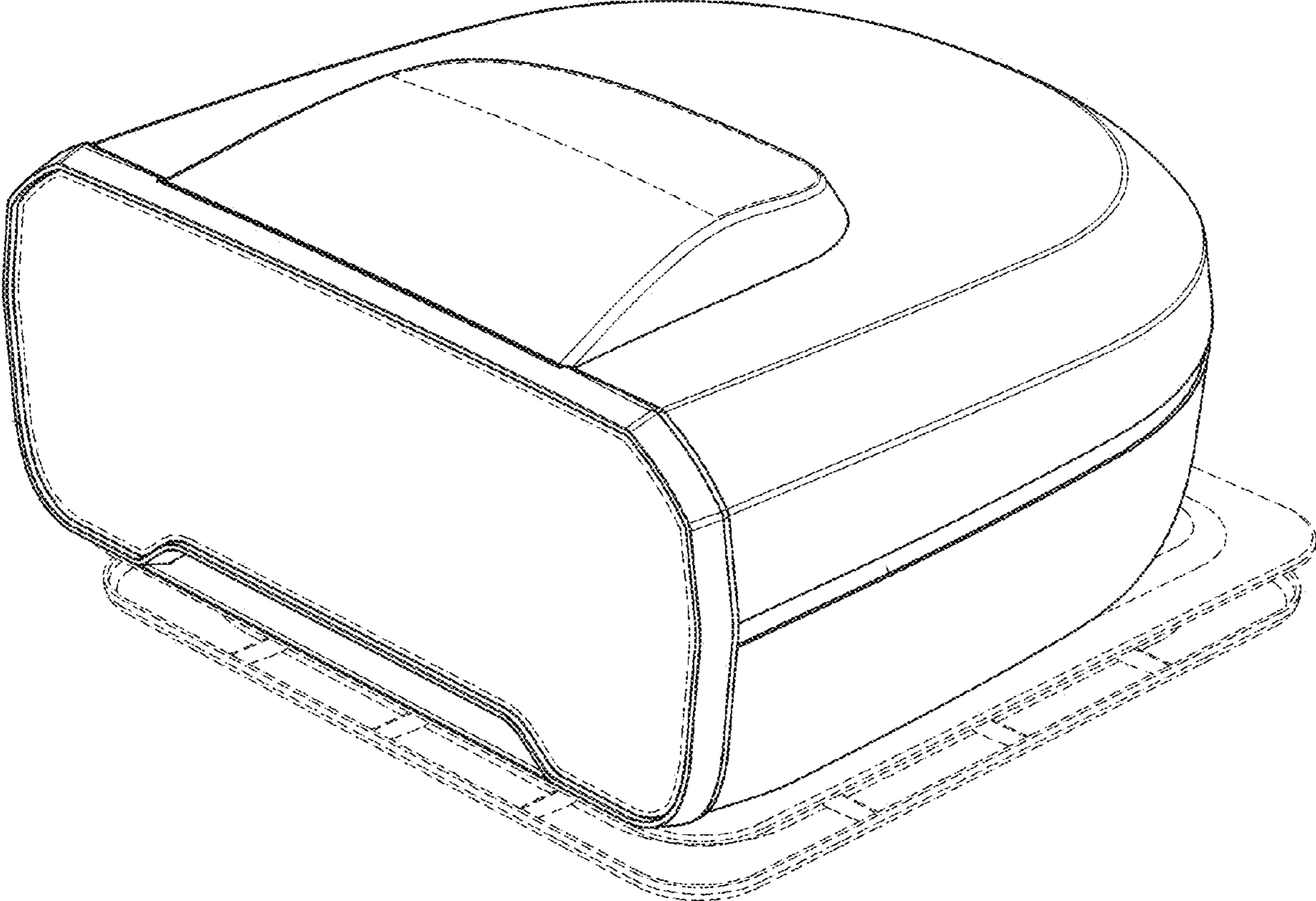


FIG. 1

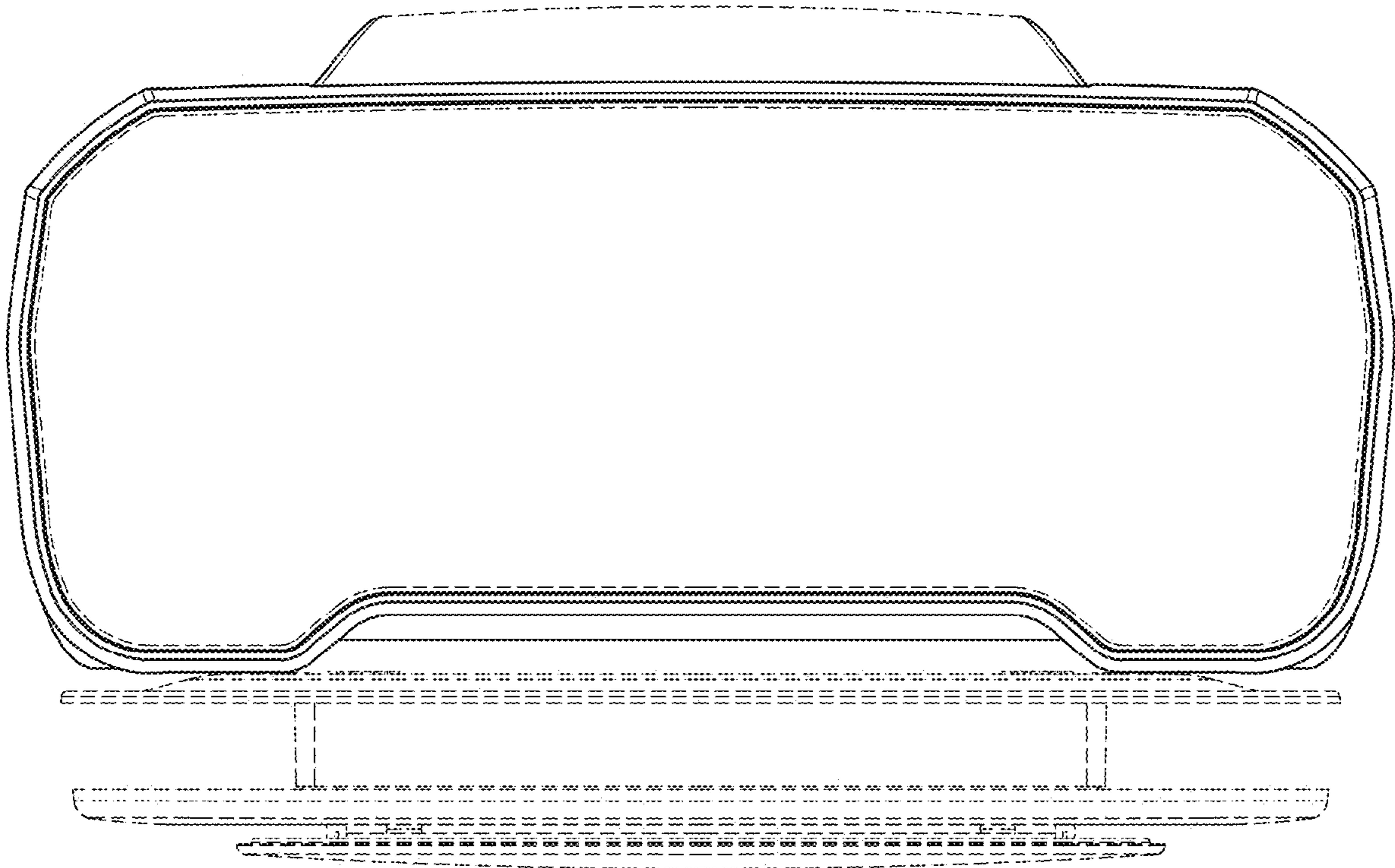


FIG. 2

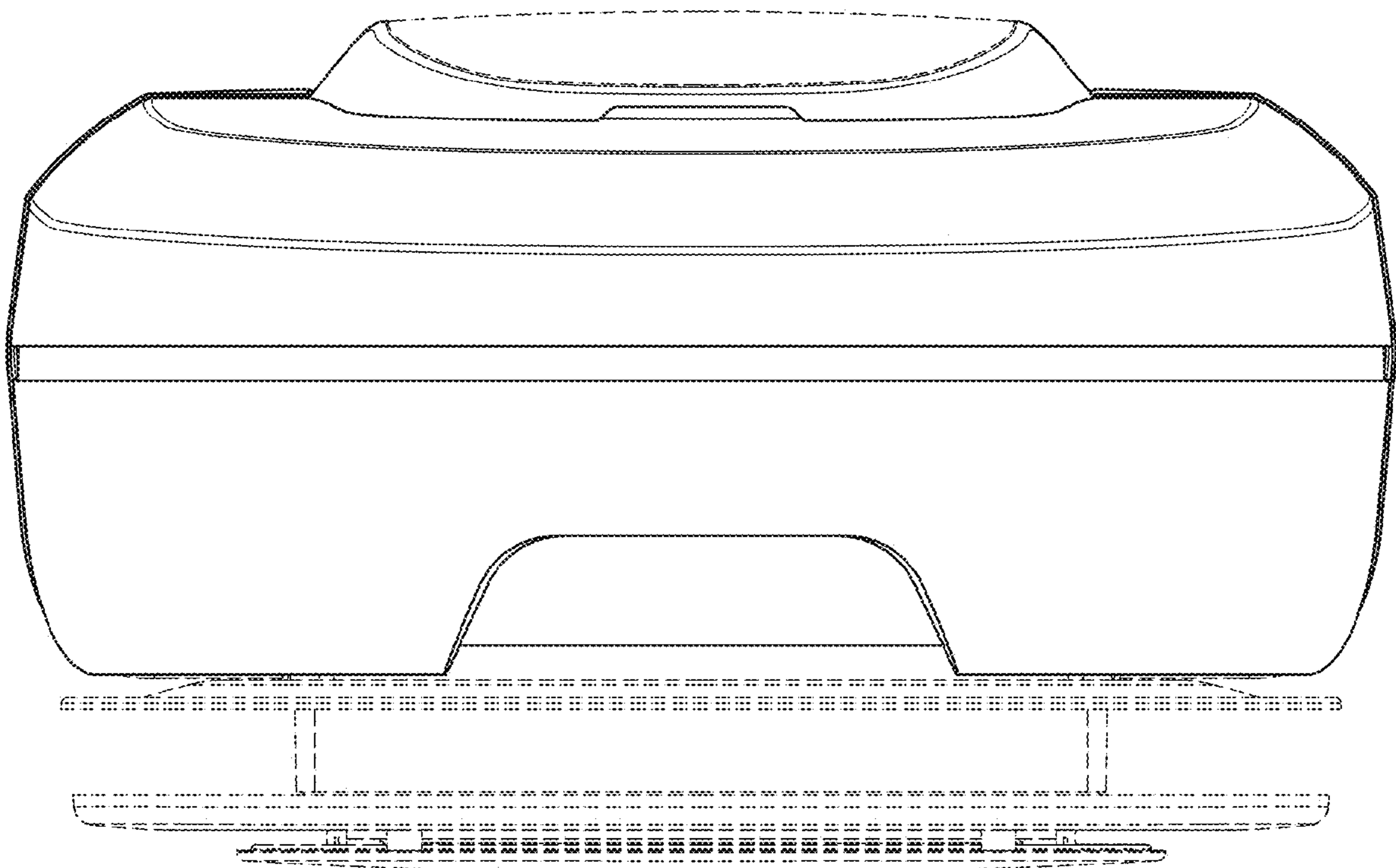


FIG. 3

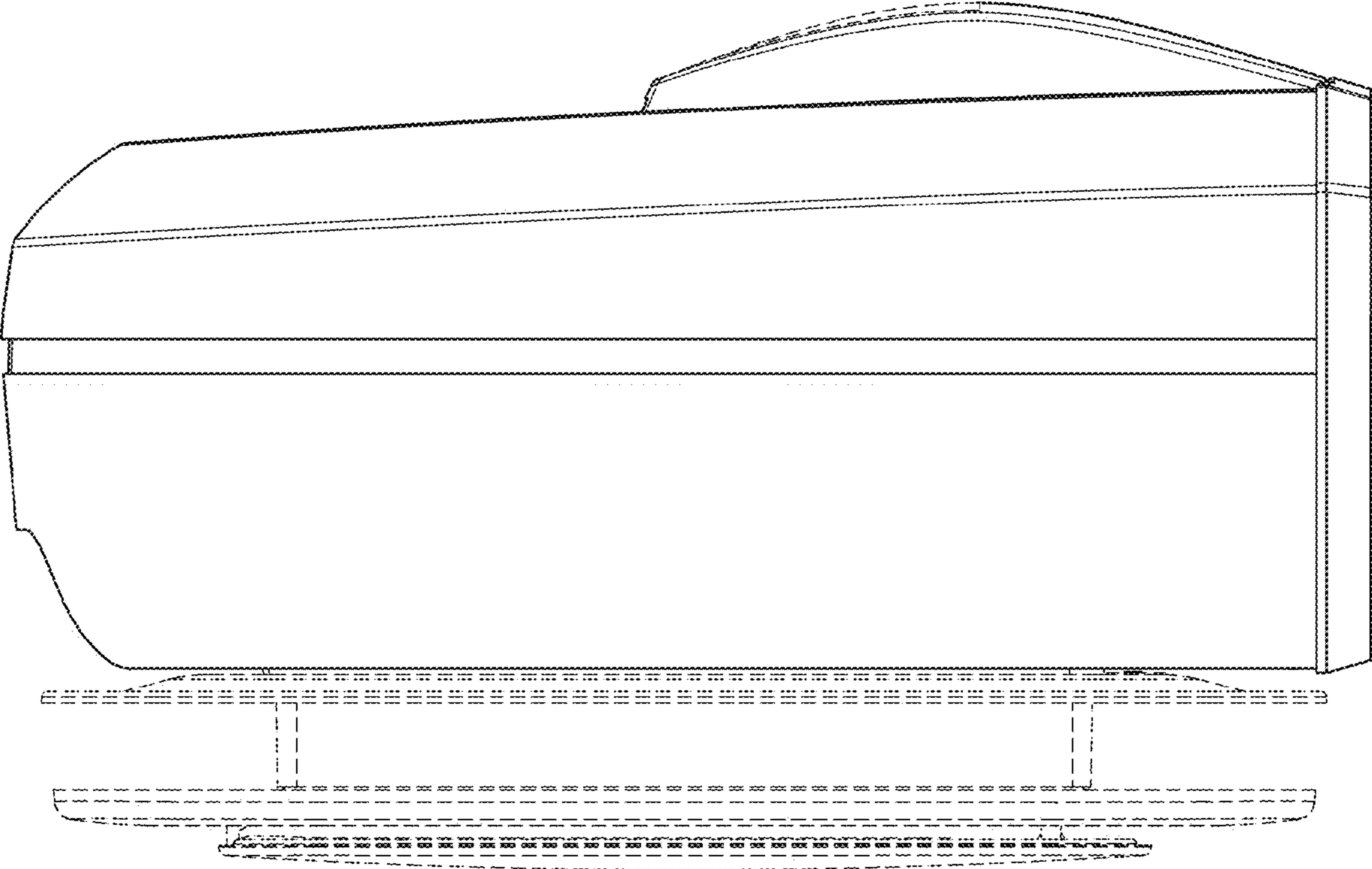


FIG. 4

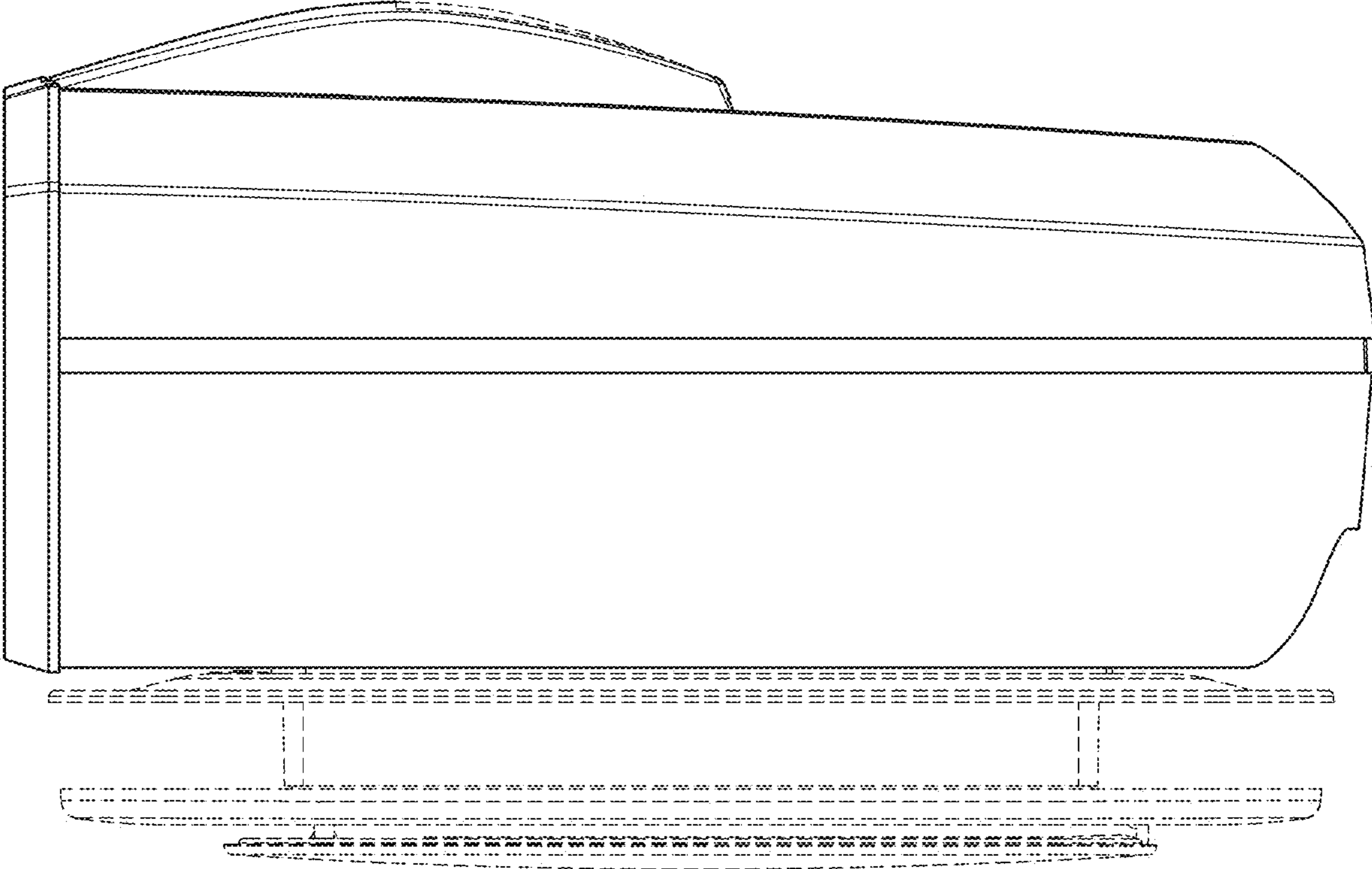


FIG. 5

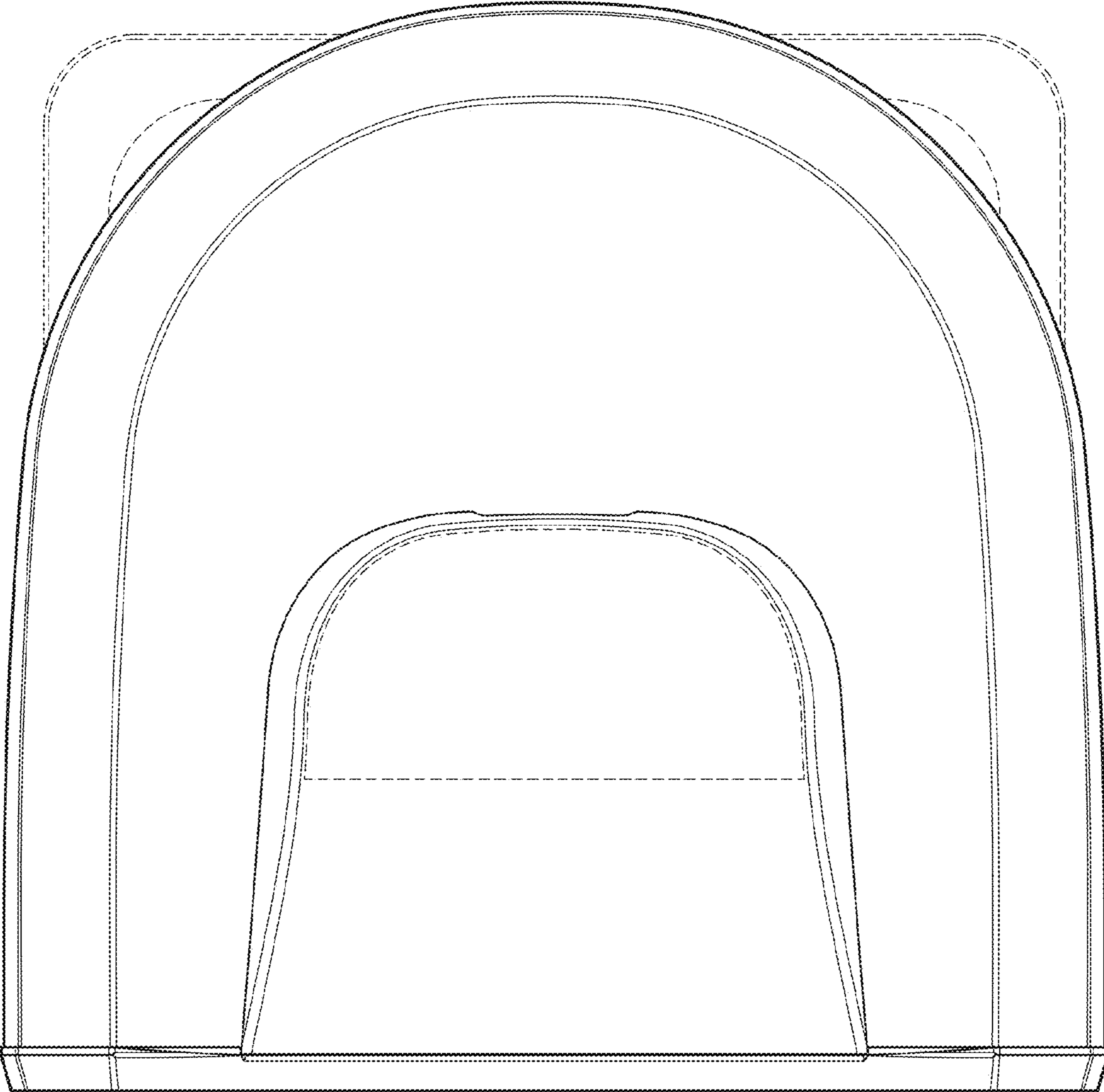


FIG. 6

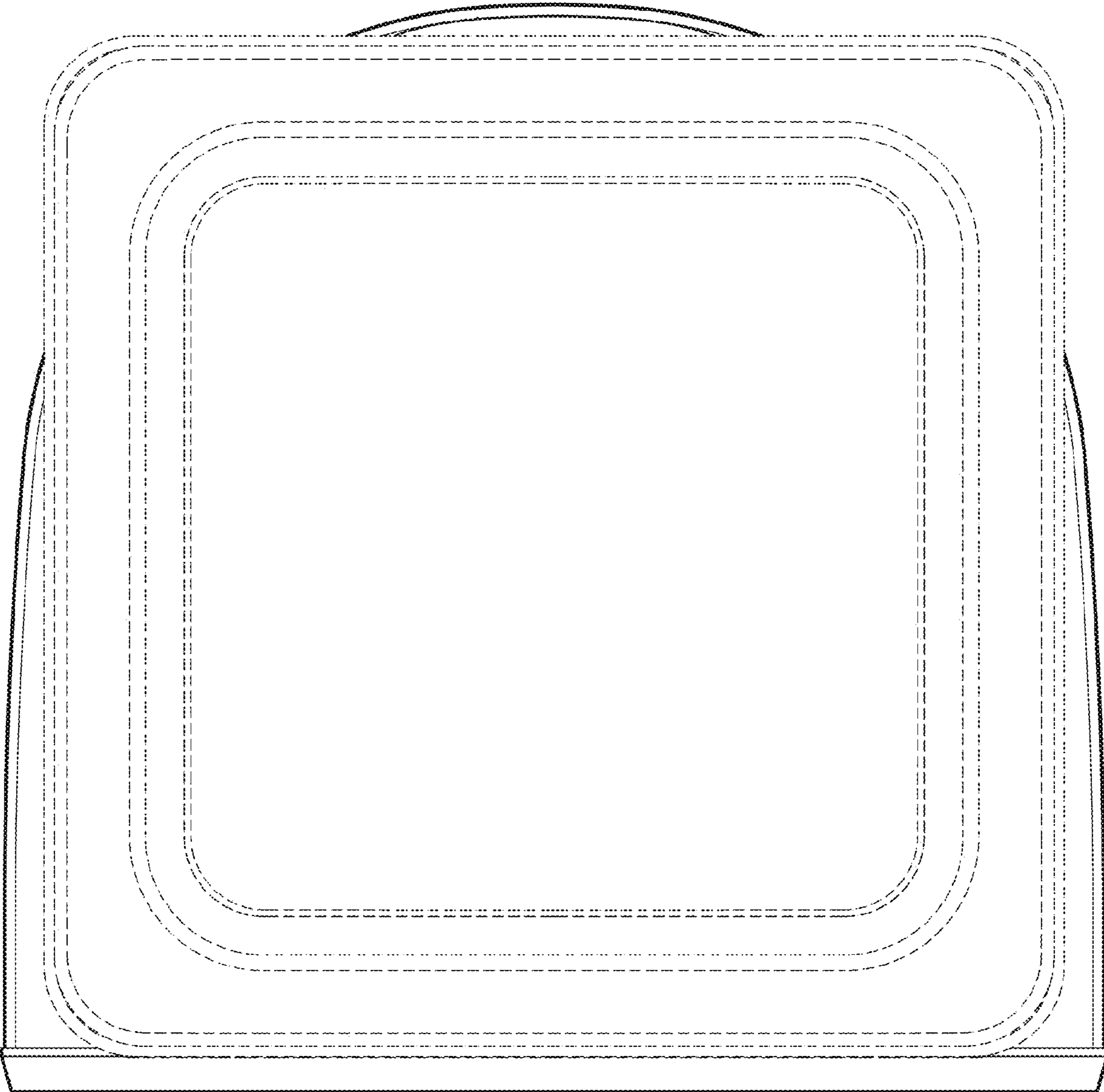


FIG. 7