



US00D956939S

(12) **United States Design Patent** (10) **Patent No.:** **US D956,939 S**  
**Gehrmann et al.** (45) **Date of Patent:** **\*\* Jul. 5, 2022**

(54) **SHOWER NICHE**

(71) Applicant: **Redblock Industries LLP**, Bellingham, WA (US)

(72) Inventors: **Stephen K. Gehrmann**, Vancouver (CA); **David S. Gehrmann**, Vancouver (CA)

(73) Assignee: **REDBLOCK INDUSTRIES LLP**, Bellingham, WA (US)

D653,316 S \* 1/2012 Beswick ..... D23/305  
D676,534 S \* 2/2013 Lam ..... D23/304  
9,462,885 B2 \* 10/2016 Cohen ..... A47B 96/02  
D823,447 S \* 7/2018 Licini ..... D23/305  
2011/0308007 A1 \* 12/2011 Stevens ..... A47K 3/281  
4/611

\* cited by examiner

*Primary Examiner* — Robert A Delehanty

(74) *Attorney, Agent, or Firm* — ÆON Law; Adam L. K. Philipp; David V. H. Cohen

(\*\*) Term: **15 Years**

(21) Appl. No.: **29/720,099**

(22) Filed: **Jan. 9, 2020**

(51) **LOC (13) Cl.** ..... **23-02**

(52) **U.S. Cl.**  
USPC ..... **D23/304**

(58) **Field of Classification Search**  
USPC ..... D23/283, 303–304; D6/574  
See application file for complete search history.

(56) **References Cited**

U.S. PATENT DOCUMENTS

D238,275 S \* 12/1975 Downers ..... D23/275  
4,681,380 A \* 7/1987 Carlin ..... A47B 81/002  
312/242  
5,307,530 A \* 5/1994 Duvall ..... A47K 3/281  
4/596  
D402,842 S \* 12/1998 Flauto ..... D23/304  
8,060,955 B2 \* 11/2011 Johnson ..... A47K 3/281  
4/557

(57) **CLAIM**

The ornamental design for a shower niche, as shown and described.

**DESCRIPTION**

FIG. 1 is a front elevational view of the shower niche showing the new design;  
FIG. 2 is a top plan view thereof, the bottom plan view being its mirror image;  
FIG. 3 is a right side elevational view thereof, the left side elevational view being its mirror image;  
FIG. 4 is a rear elevational view thereof;  
FIG. 5 is a front and top perspective view thereof; and,  
FIG. 6 is a sectional view taken in the direction of the arrows on line 6-6 of FIG. 5.

The broken lines shown in FIGS. 1-6 illustrate the framing-flange of the shower niche that form no part of the claimed design.

**1 Claim, 3 Drawing Sheets**

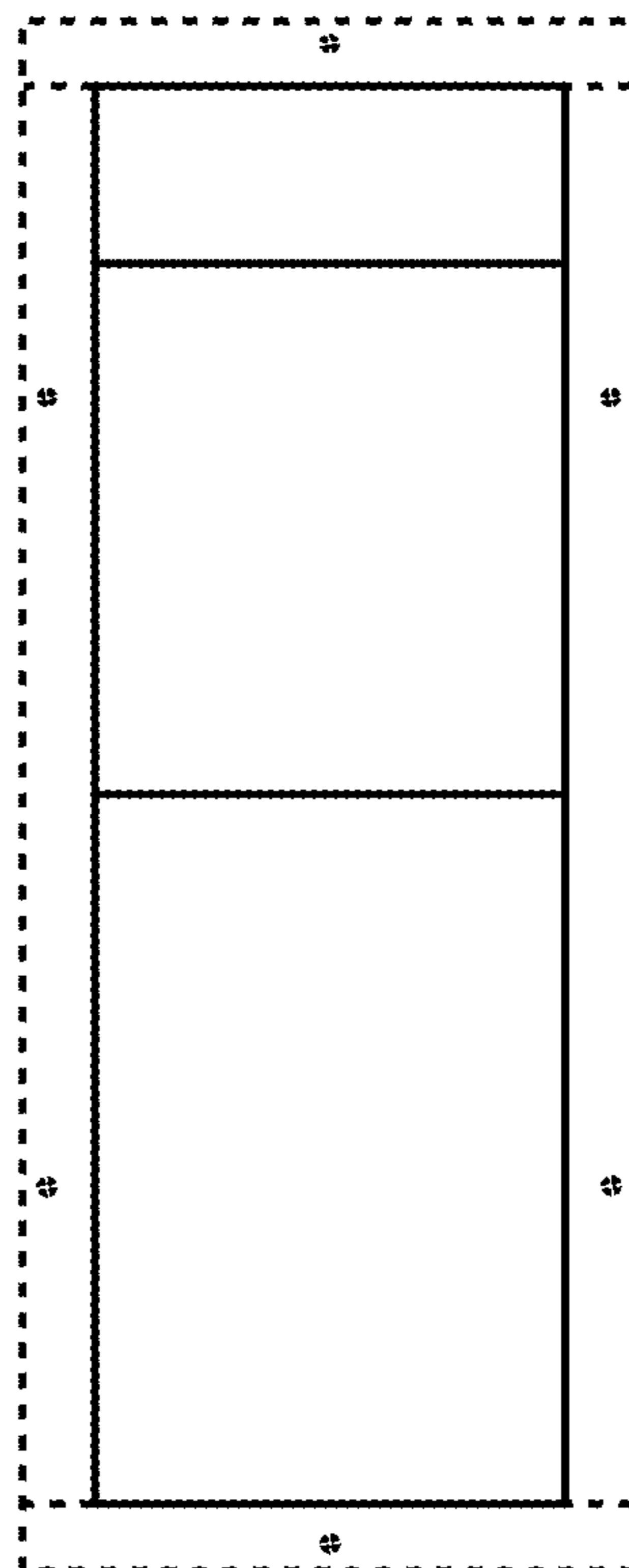




FIG. 2

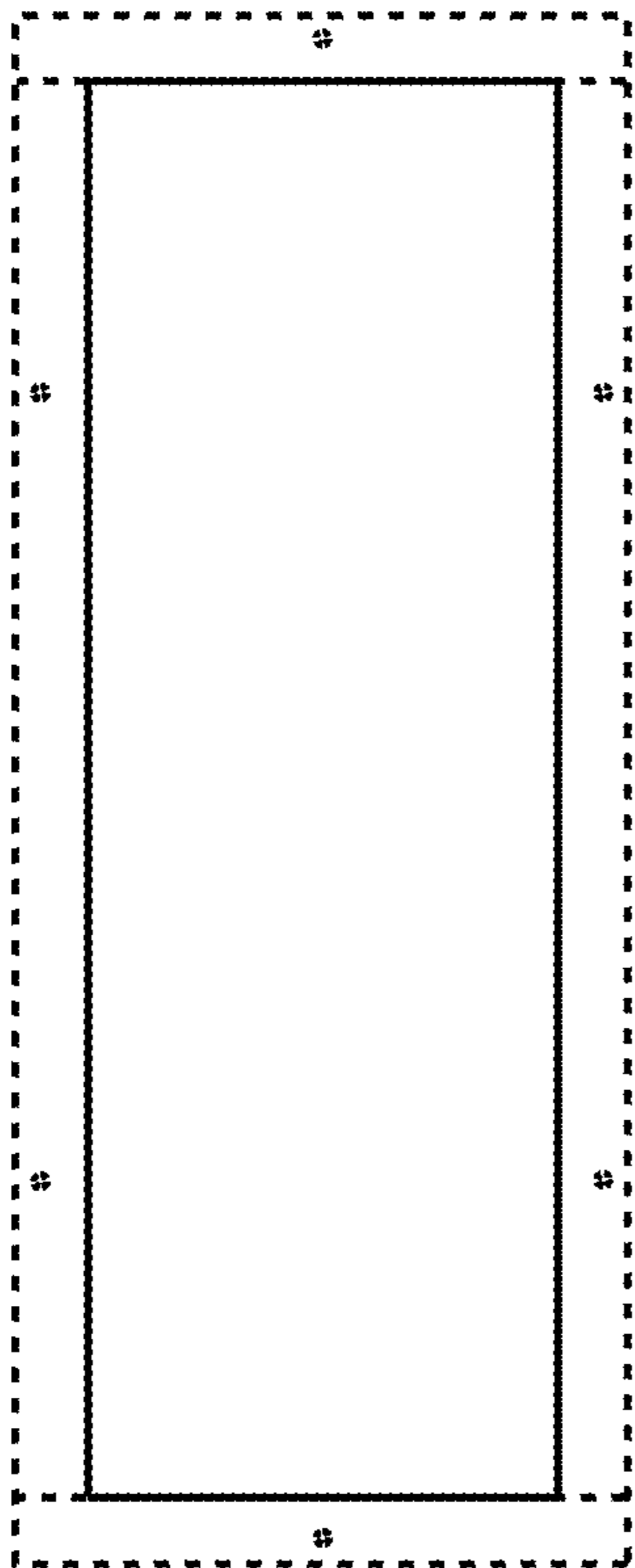


FIG. 4

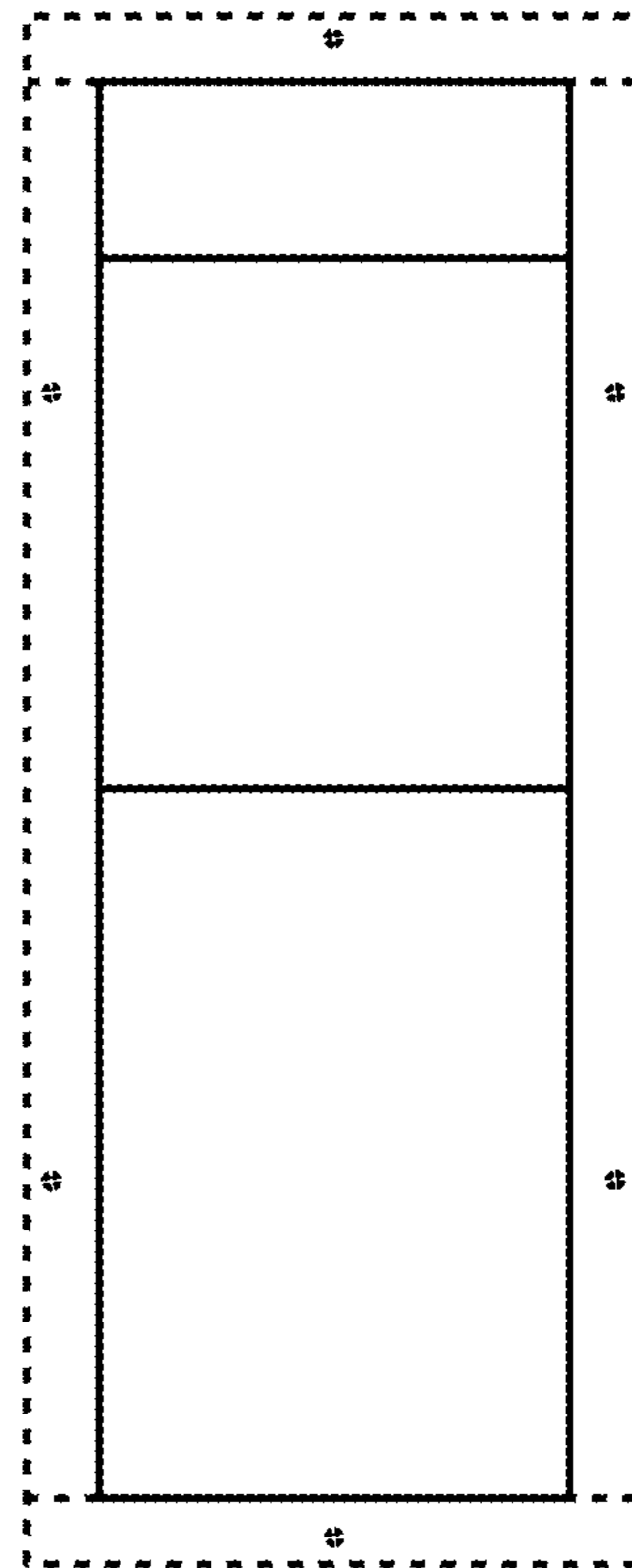


FIG. 1

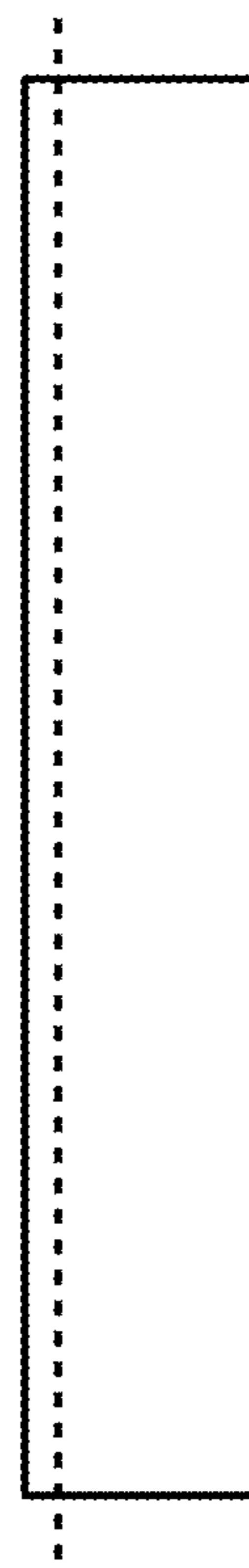


FIG. 3

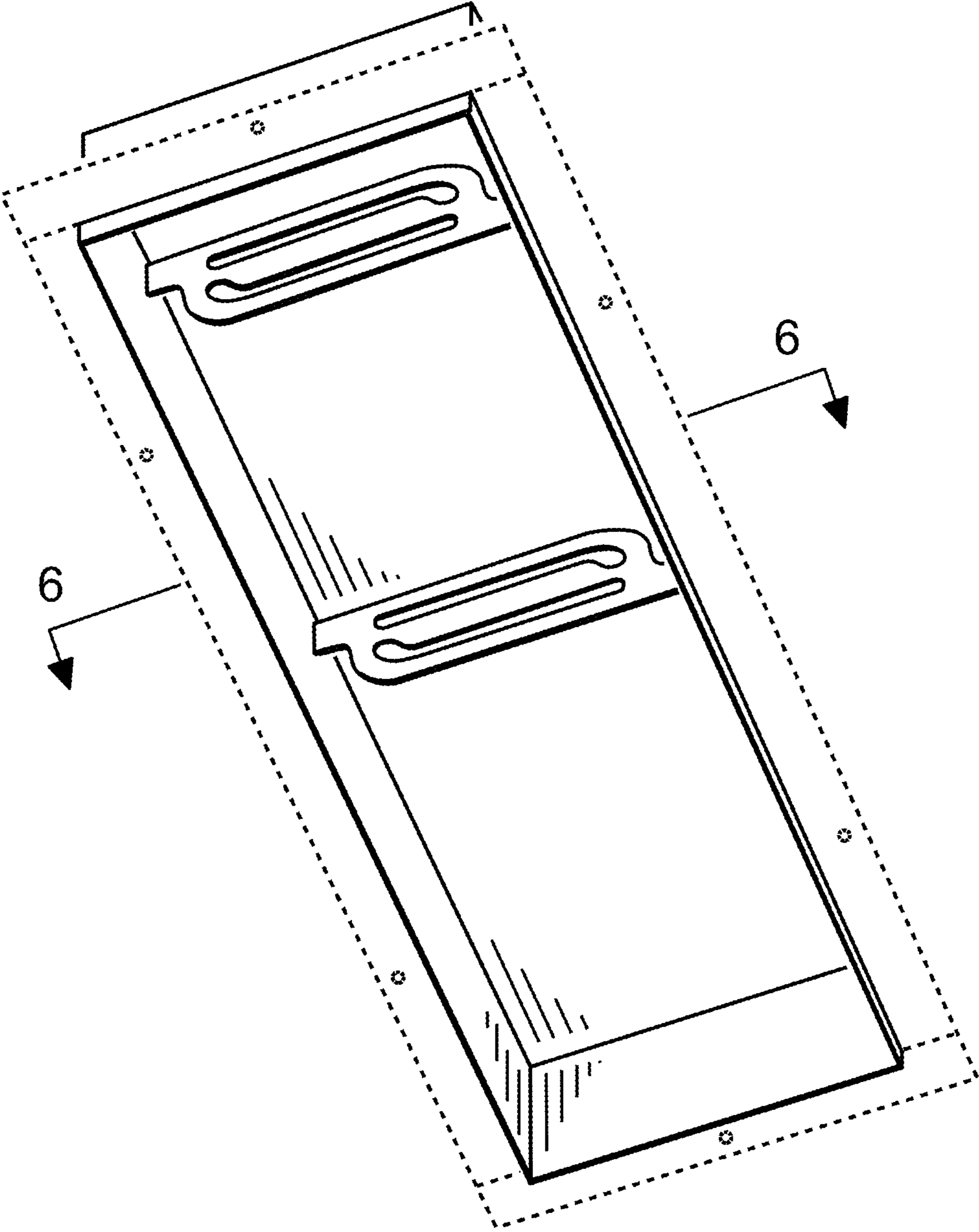


FIG. 5

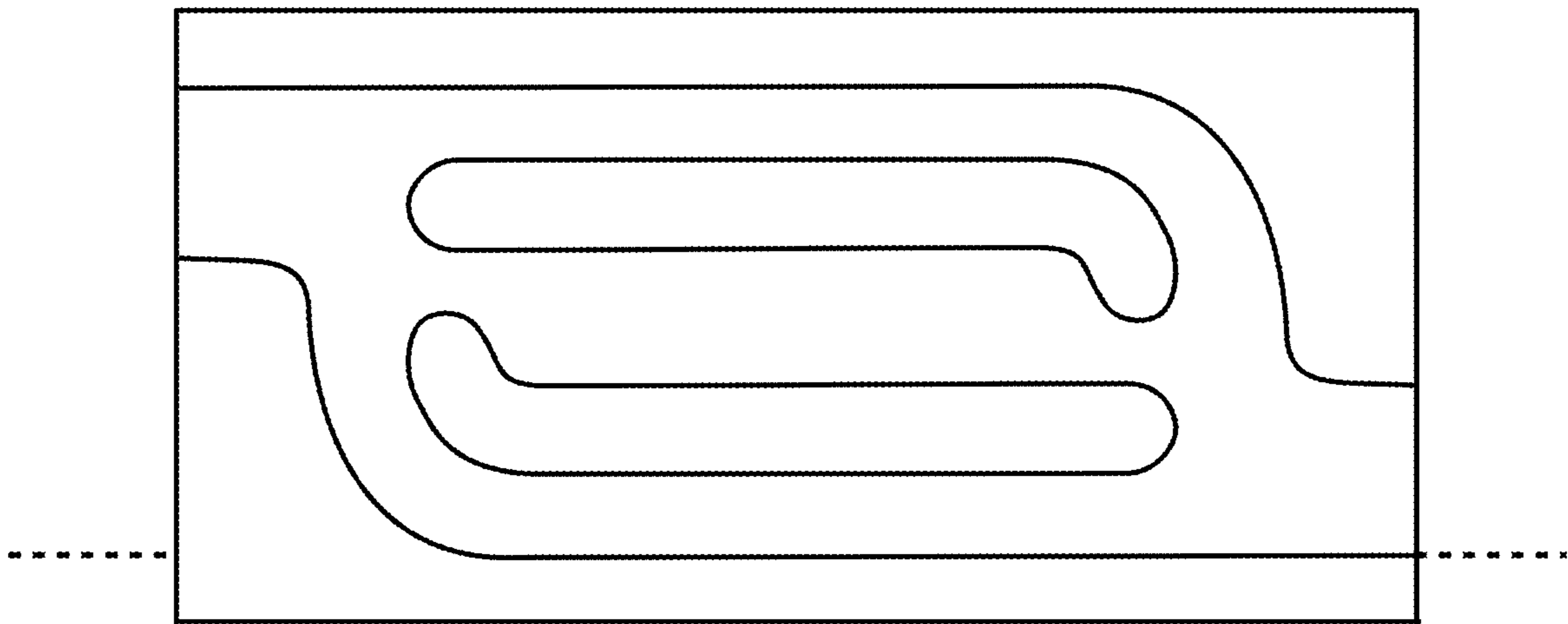


FIG. 6