



US00D956938S

(12) **United States Design Patent**
Jiang

(10) **Patent No.:** **US D956,938 S**

(45) **Date of Patent:** **** Jul. 5, 2022**

(54) **SINK**

D659,811 S * 5/2012 Licini D23/293.1
D812,728 S * 3/2018 Kergoet D23/293.1

(71) Applicant: **Ying Jiang**, Chongqing (CN)

* cited by examiner

(72) Inventor: **Ying Jiang**, Chongqing (CN)

Primary Examiner — Robert A Delehanty

(**) Term: **15 Years**

(57) **CLAIM**

The ornamental design for a sink, as shown and described.

(21) Appl. No.: **29/766,766**

DESCRIPTION

(22) Filed: **Jan. 19, 2021**

(51) **LOC (13) Cl.** **23-02**

(52) **U.S. Cl.**
USPC **D23/286**

(58) **Field of Classification Search**
USPC D23/284, 286, 291–293.1, 308, 255
See application file for complete search history.

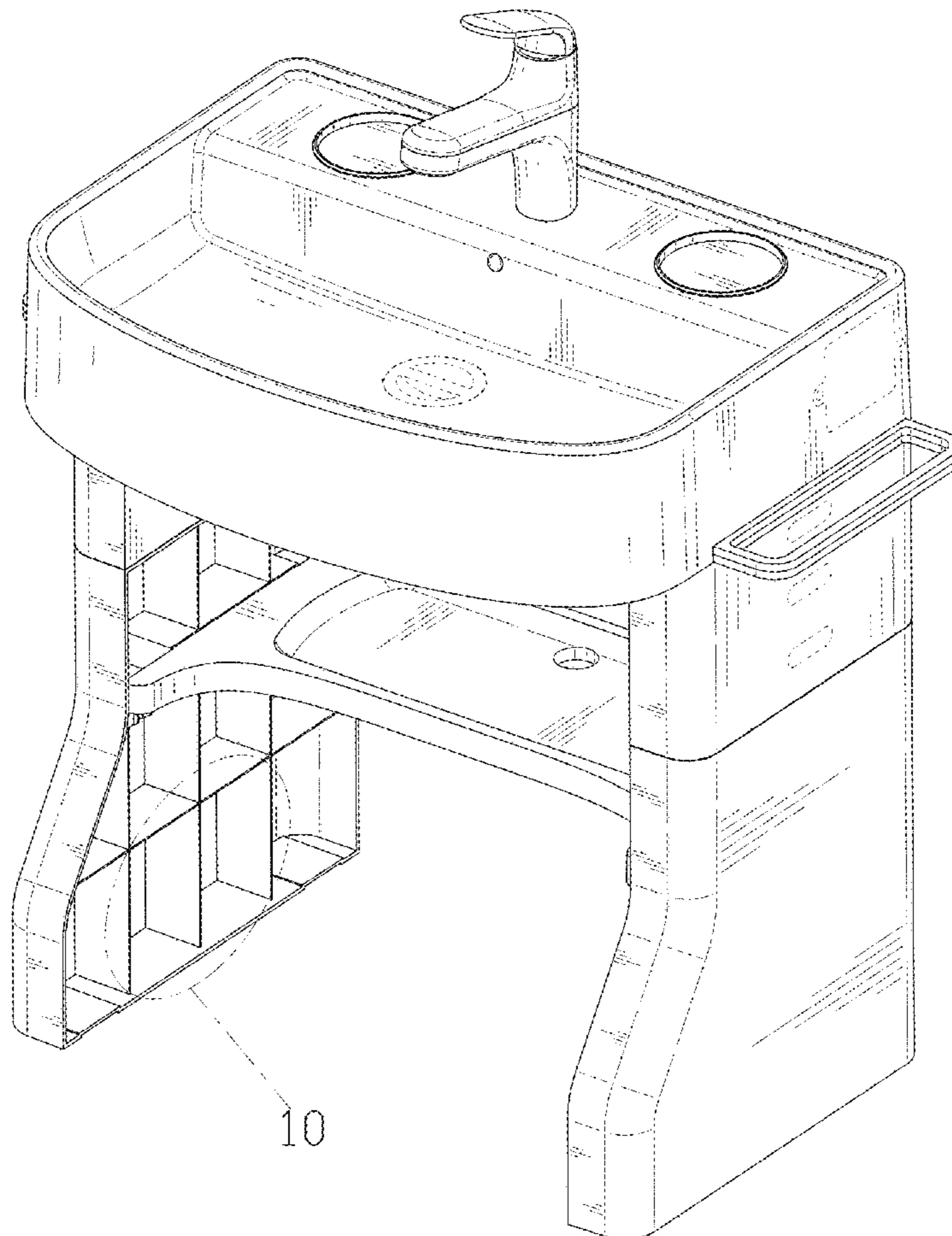
FIG. 1 is a perspective view of a sink showing my new design;
FIG. 2 is another perspective view thereof;
FIG. 3 is another perspective view thereof;
FIG. 4 is a front elevational view thereof;
FIG. 5 is a rear elevational view thereof;
FIG. 6 is a left side elevational view thereof;
FIG. 7 is a right side elevational view thereof;
FIG. 8 is a top plan view thereof;
FIG. 9 is a bottom plan view thereof;
FIG. 10 is an enlarged view of portion 10 shown in FIG. 1;
and,
FIG. 11 is an enlarged view of portion 11 shown in FIG. 2.
The broken lines in the drawings depict portions of the sink that form no part of the claimed design.

(56) **References Cited**

U.S. PATENT DOCUMENTS

D287,748 S * 1/1987 Landan D23/286
D461,880 S * 8/2002 Underbrink D23/286
D504,000 S * 4/2005 Underbrink D34/21
D535,728 S * 1/2007 Helmsie D23/286
D654,992 S * 2/2012 Bucher E03C 1/186
D23/286

1 Claim, 11 Drawing Sheets



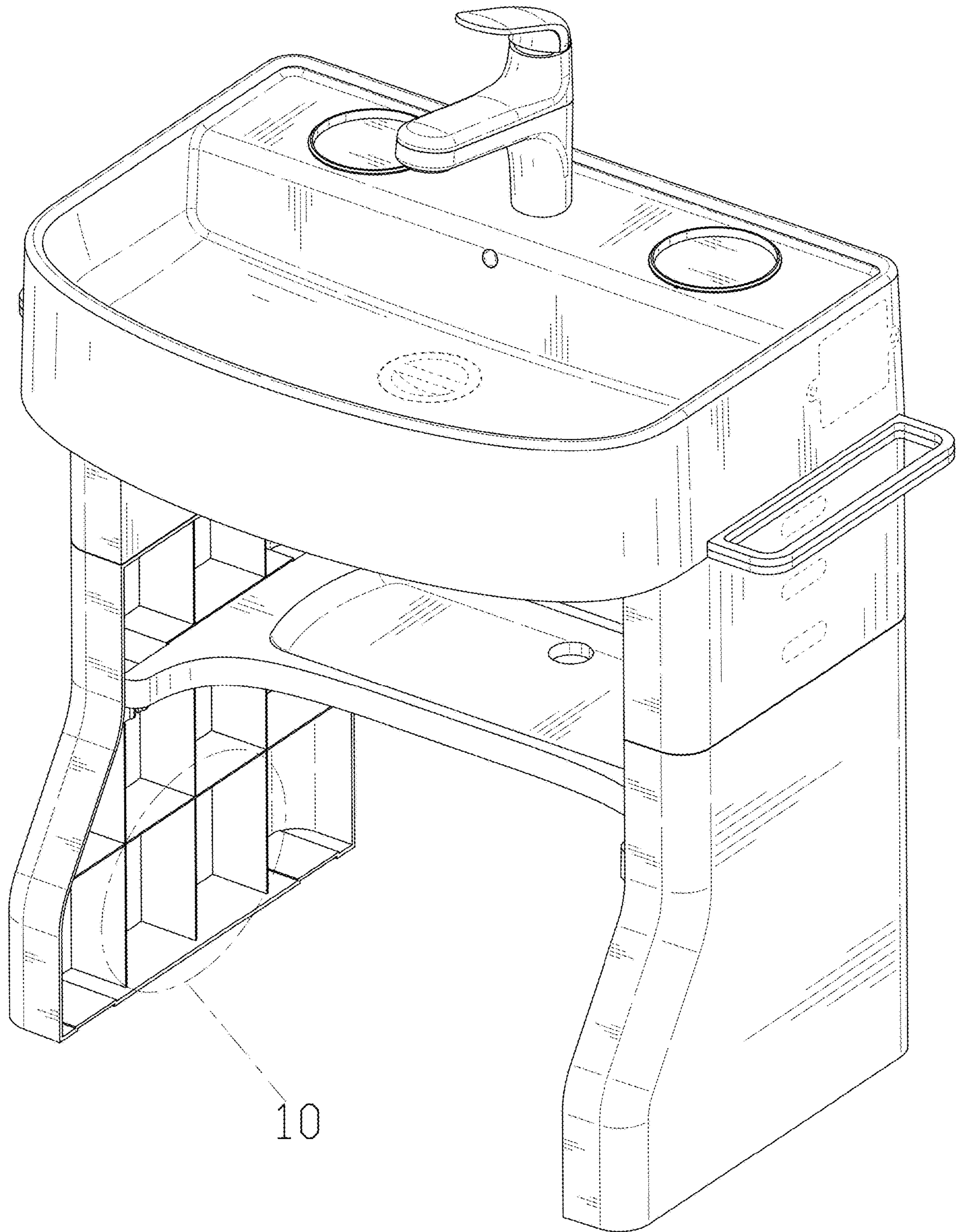


FIG. 1

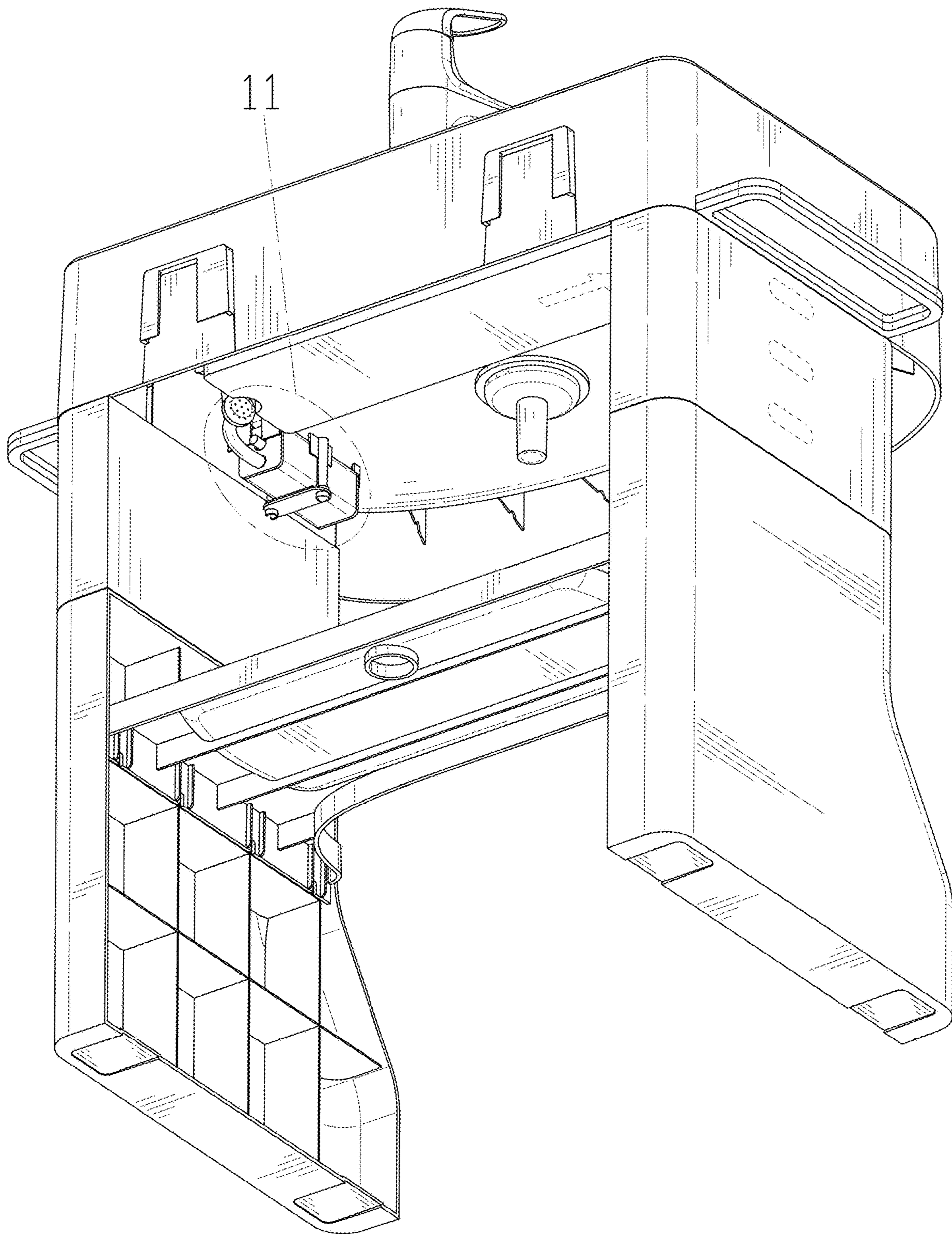


FIG. 2

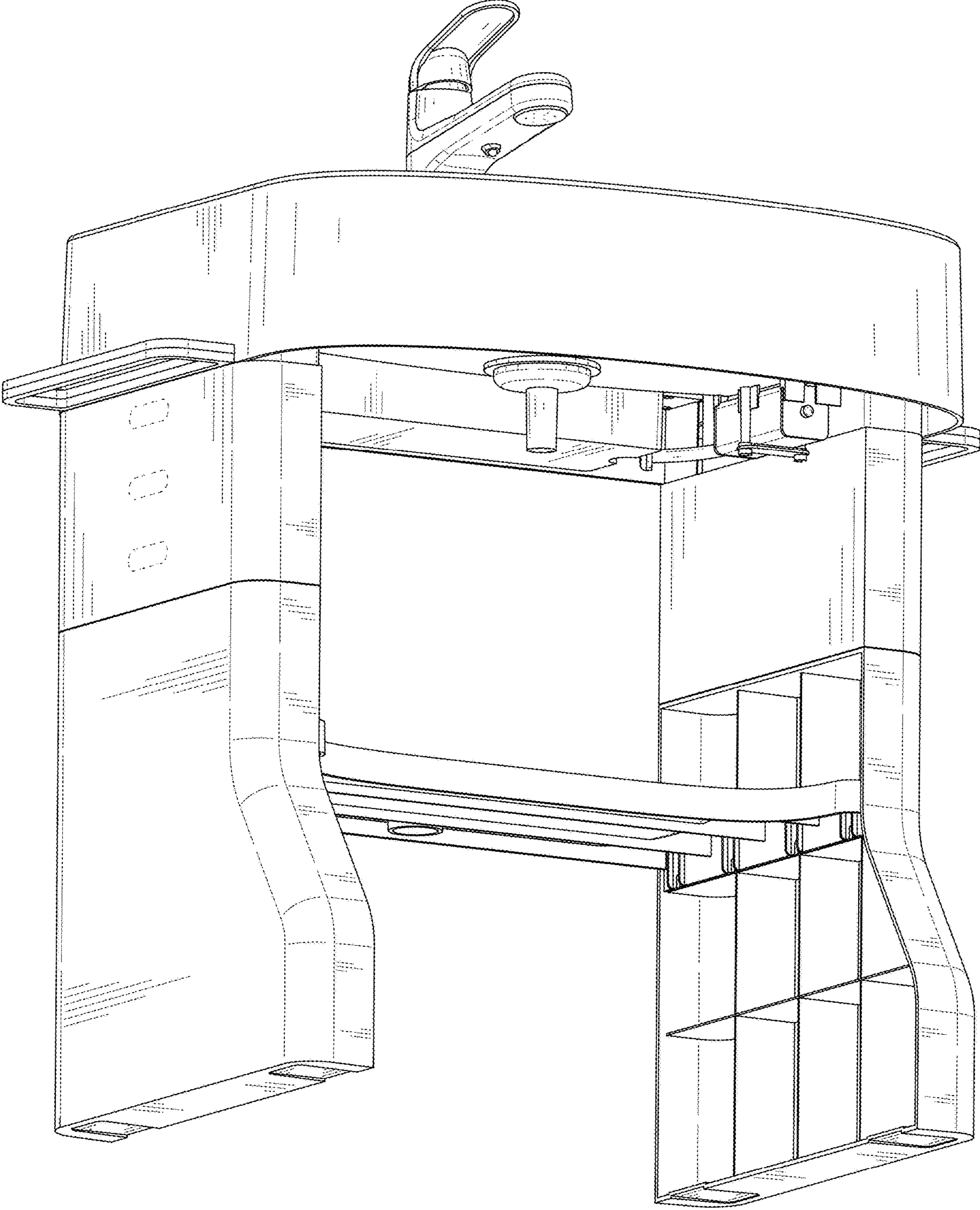


FIG. 3

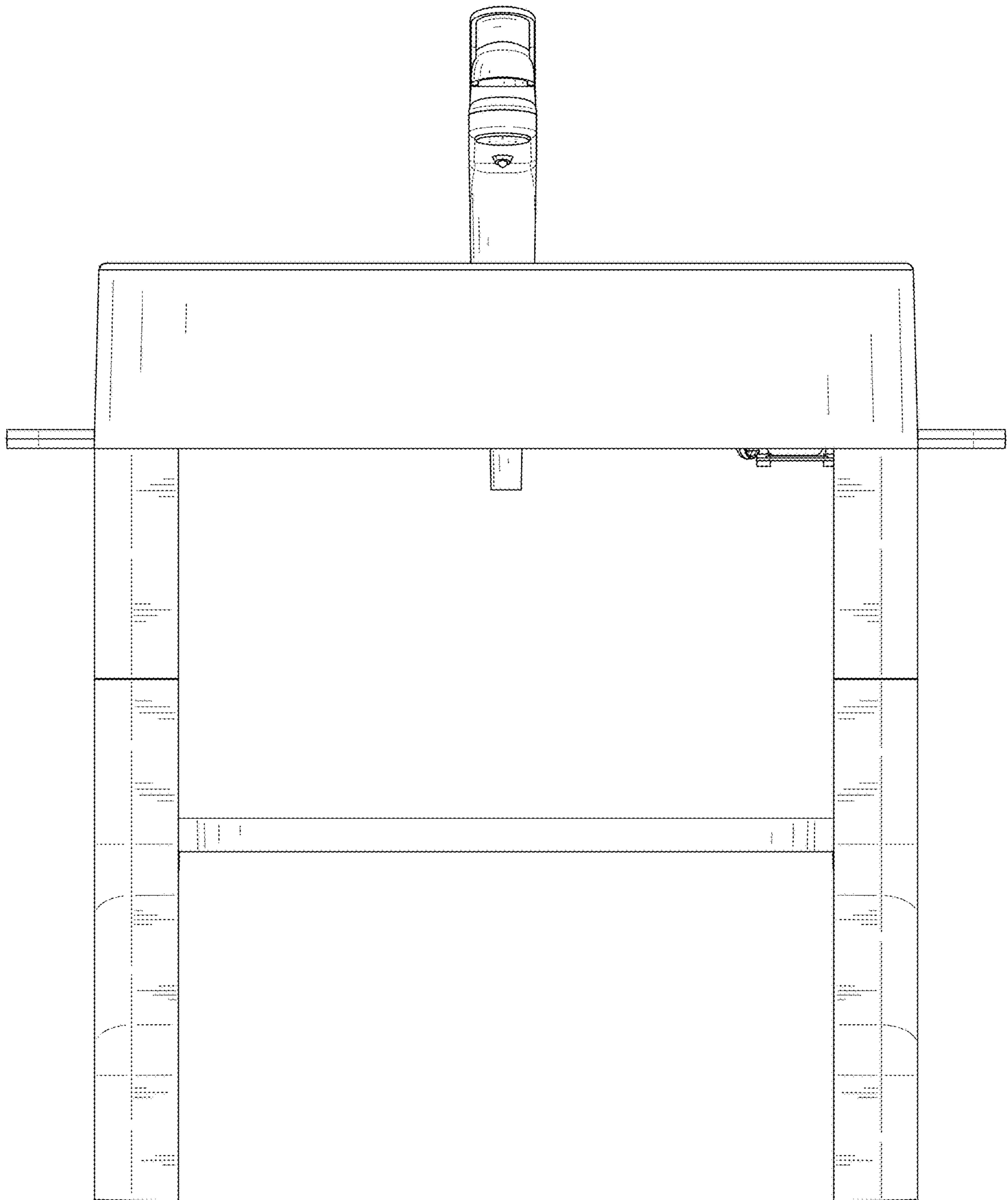


FIG. 4

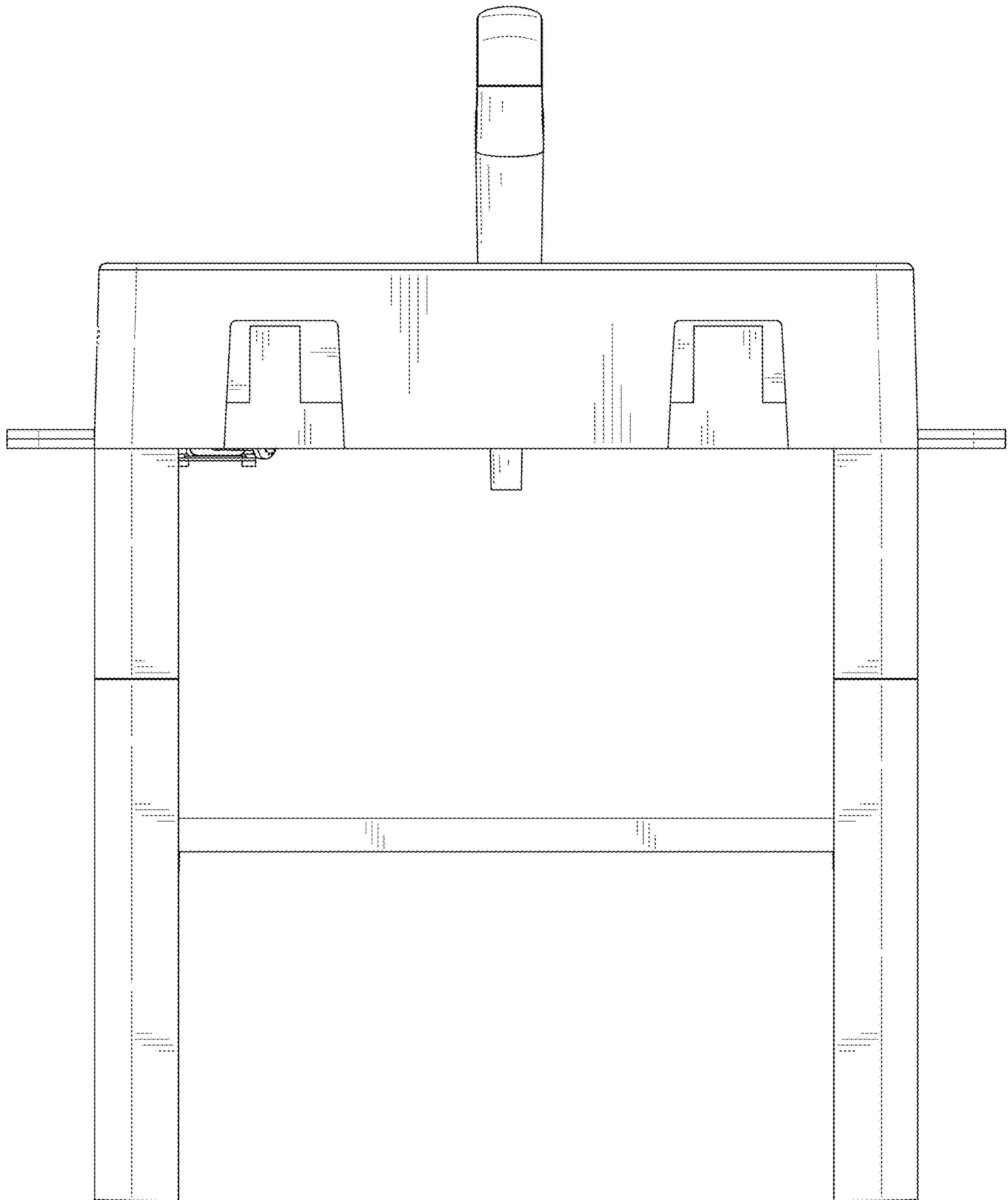


FIG. 5

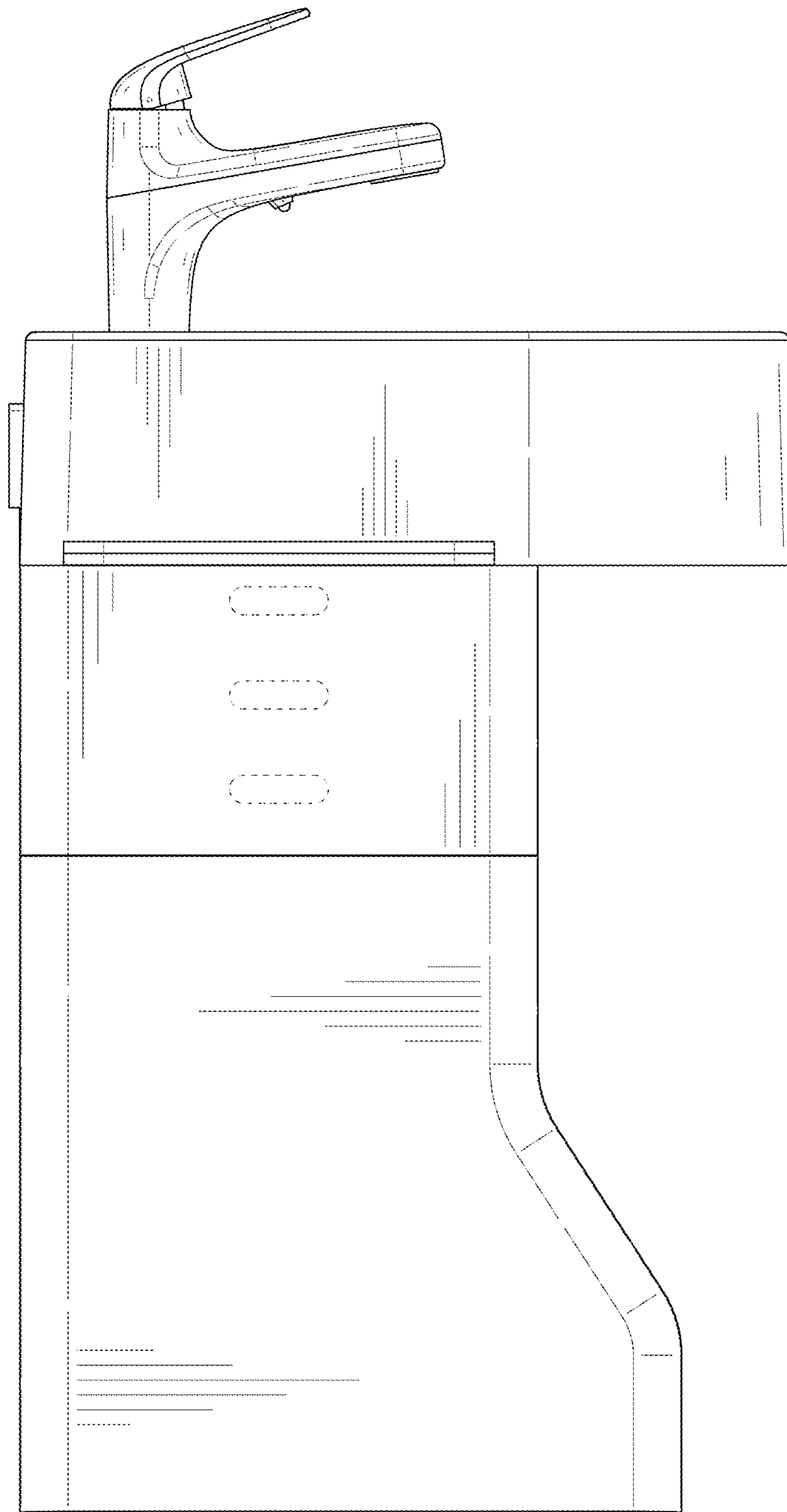


FIG. 6

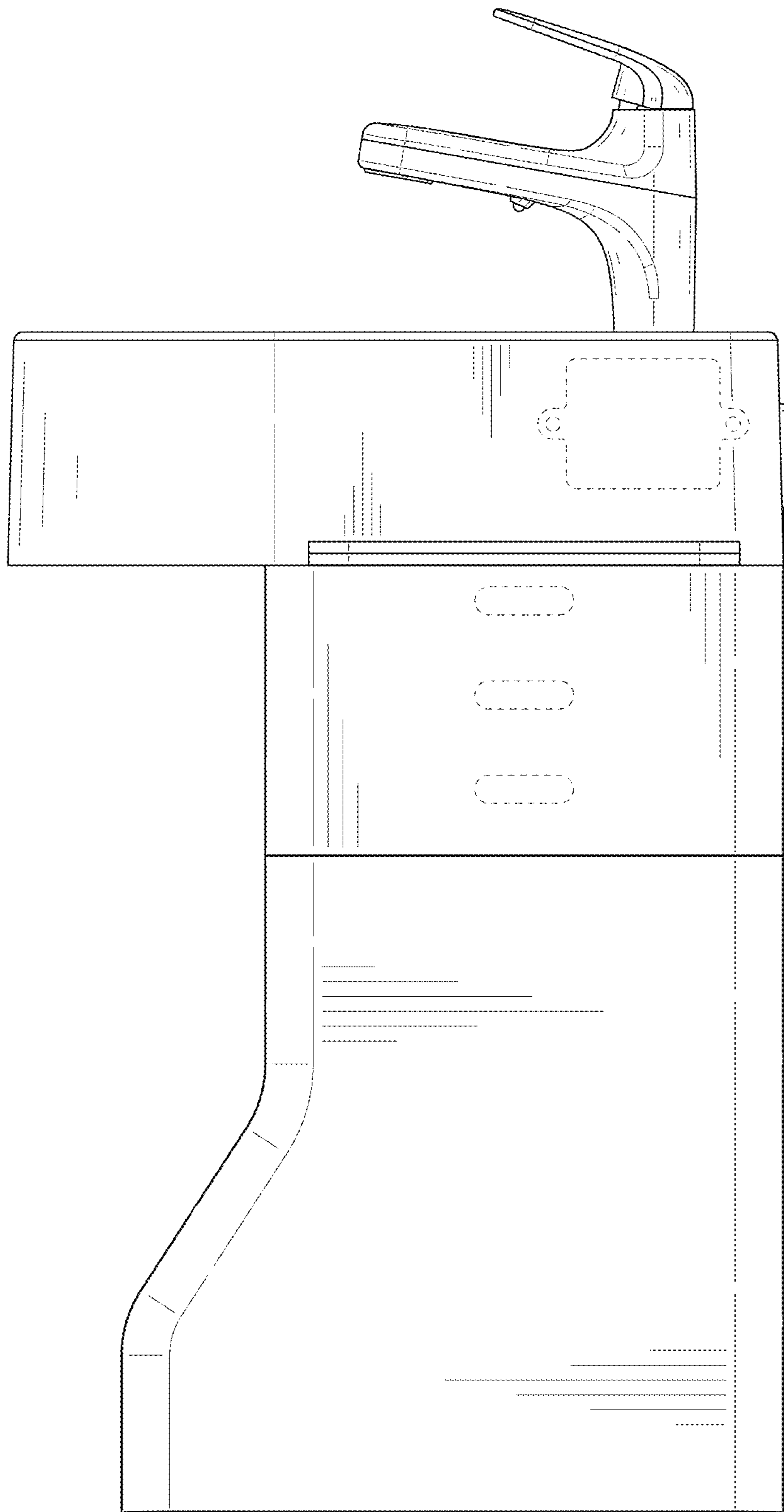


FIG. 7

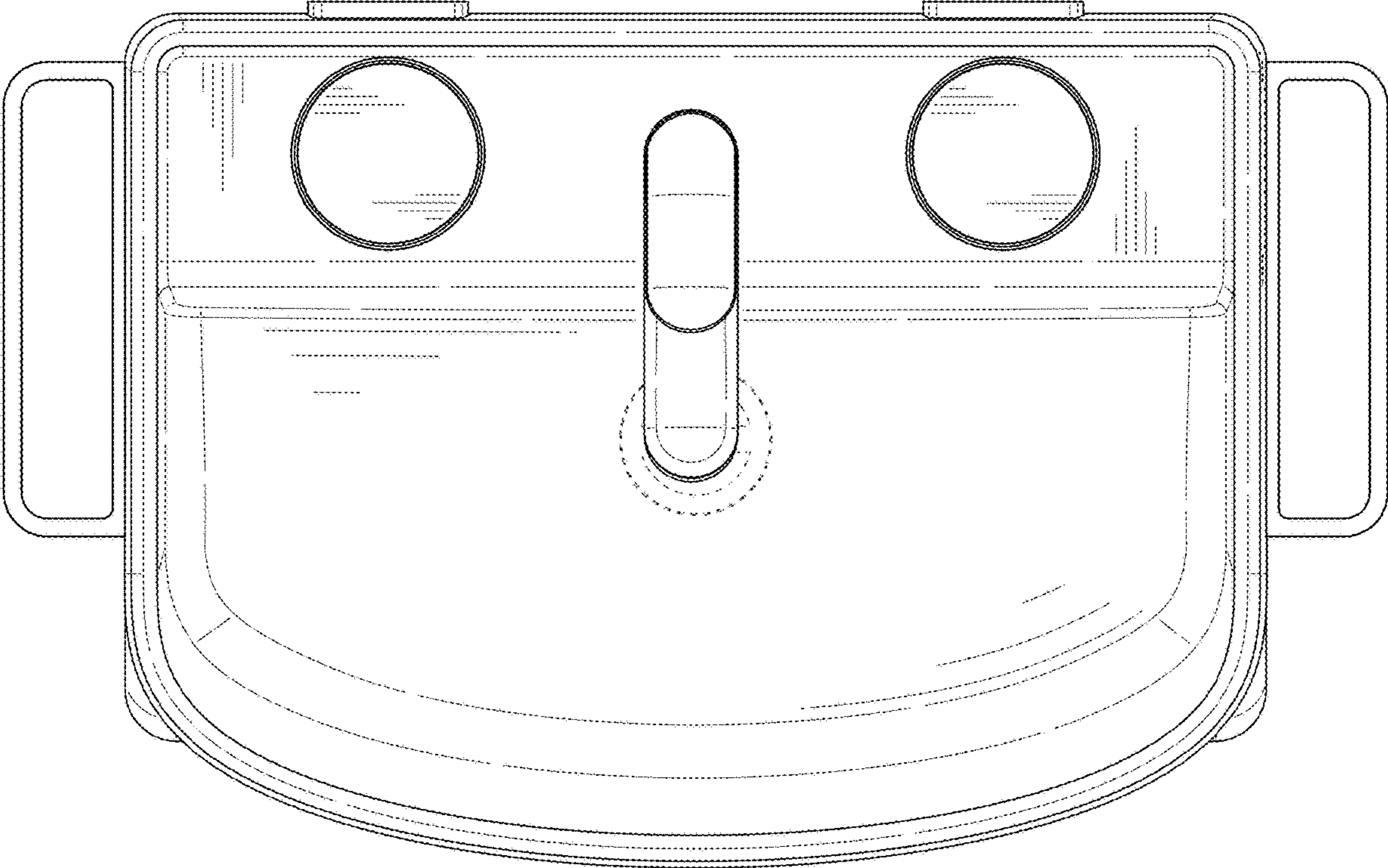


FIG. 8

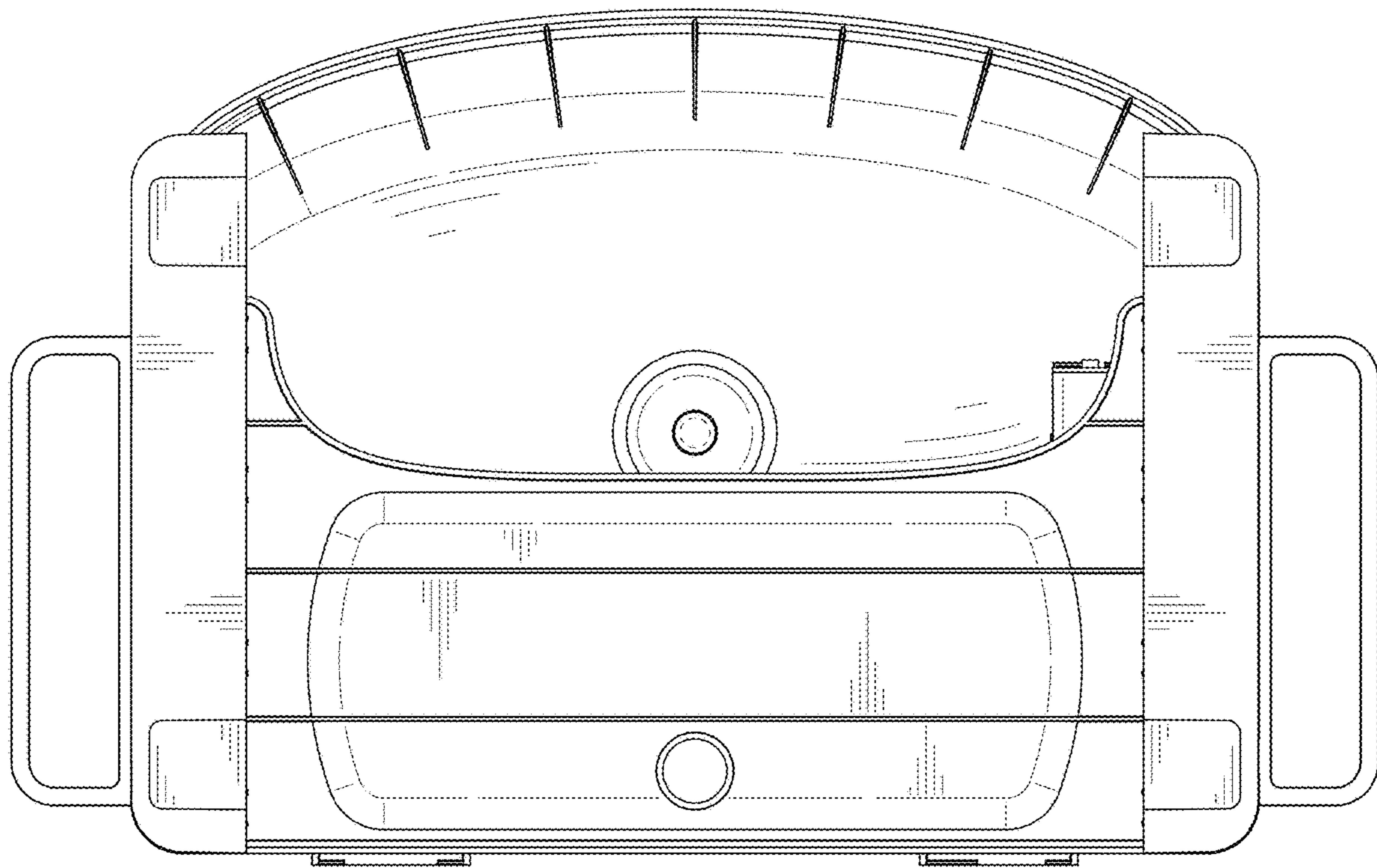


FIG. 9

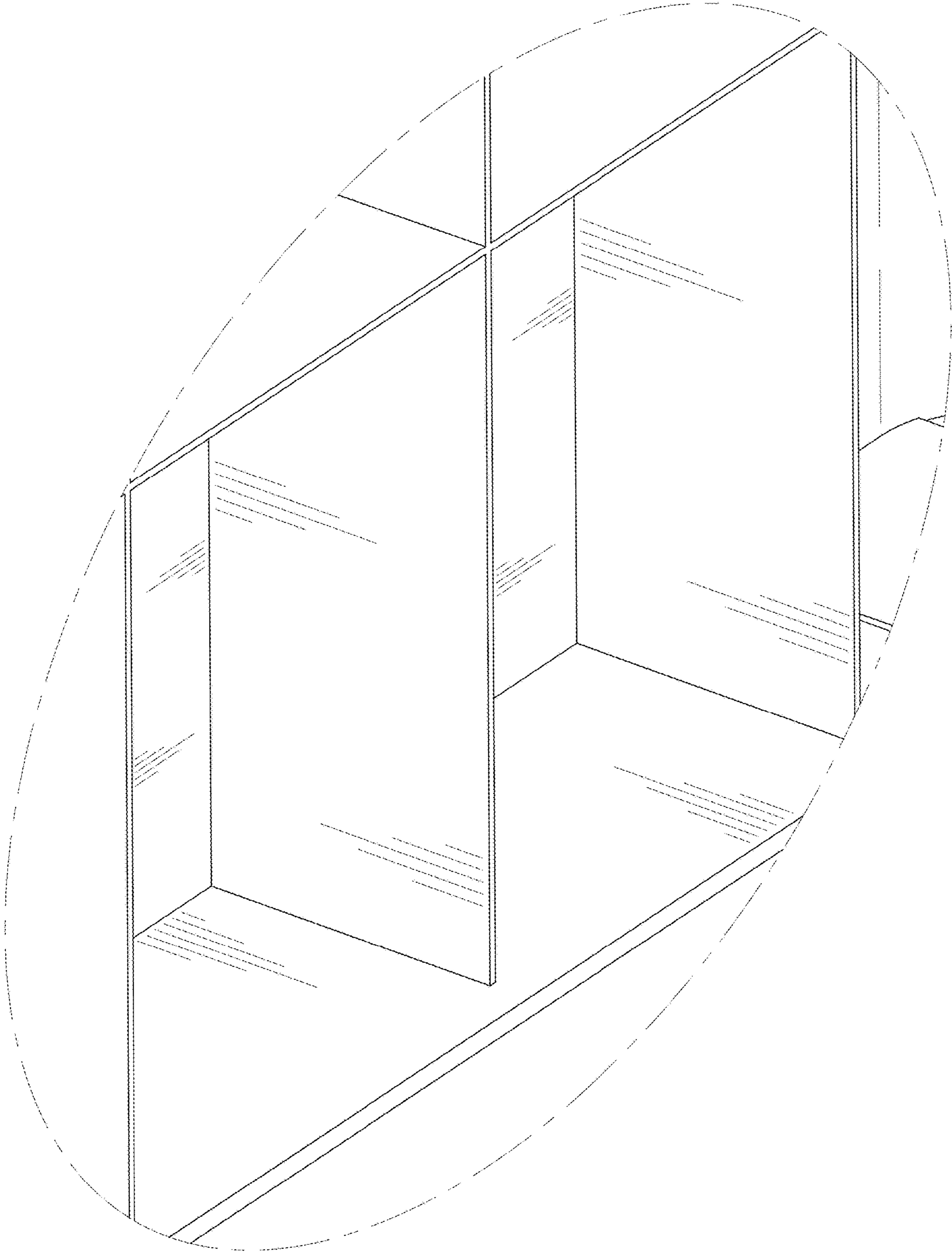


FIG. 10

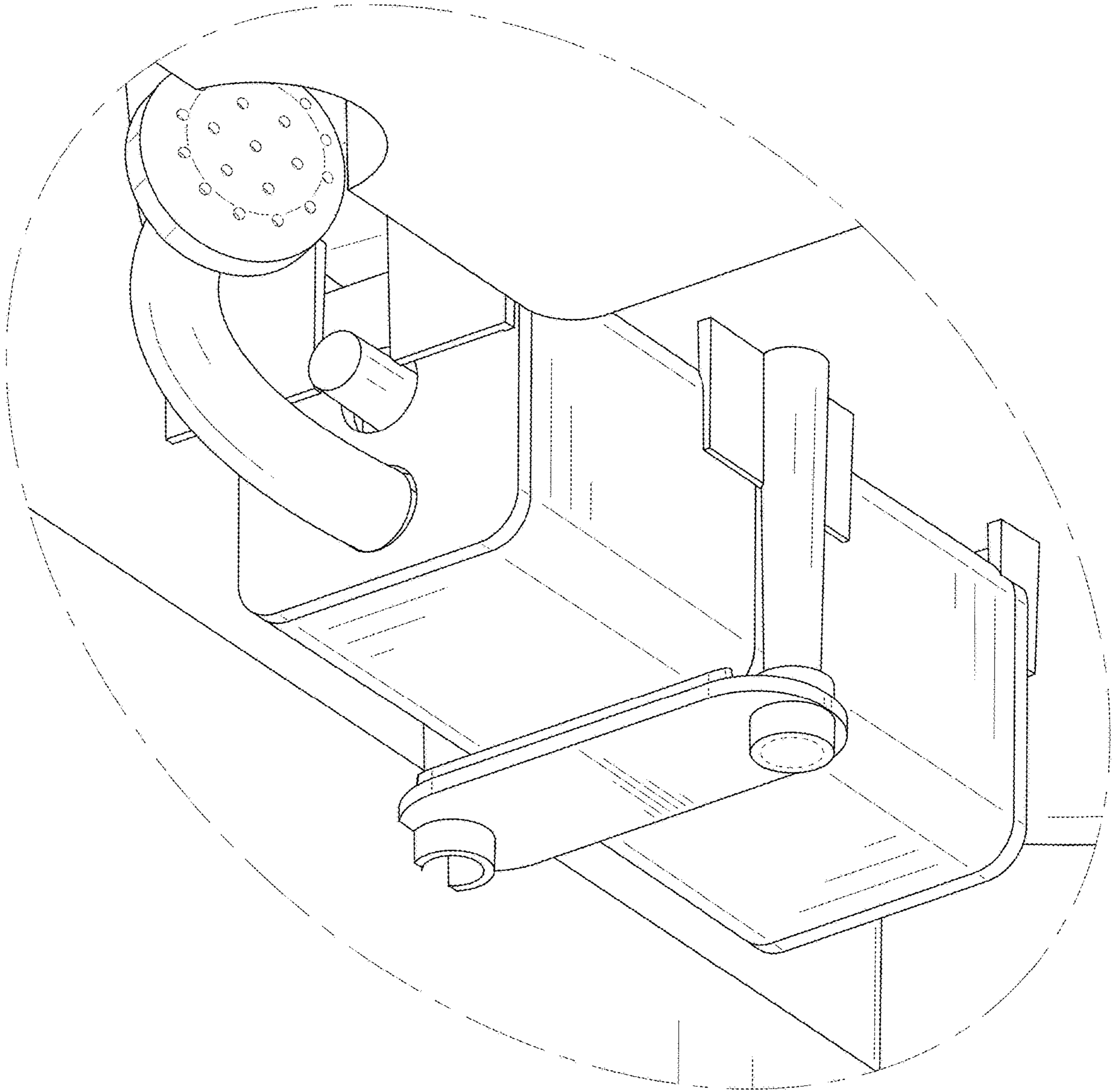


FIG. 11