



US00D956935S

(12) **United States Design Patent** (10) **Patent No.:** **US D956,935 S**
Elser (45) **Date of Patent:** **** Jul. 5, 2022**

(54) **FAUCET SPOUT**

(56) **References Cited**

(71) Applicant: **DELTA FAUCET COMPANY,**
Indianapolis, IN (US)

U.S. PATENT DOCUMENTS

D881,353 S * 4/2020 Lazarini D23/255
D933,170 S * 10/2021 Para D23/255

(72) Inventor: **Simon Elser,** Indianapolis, IN (US)

* cited by examiner

(73) Assignee: **DELTA FAUCET COMPANY,**
Indianapolis, IN (US)

Primary Examiner — Robert A Delehanty
(74) *Attorney, Agent, or Firm* — Nirav D. Parikh; Edgar
A. Zarins

(**) Term: **15 Years**

(57) **CLAIM**

The ornamental design for a faucet spout, as shown and described.

(21) Appl. No.: **29/759,198**

DESCRIPTION

(22) Filed: **Nov. 20, 2020**

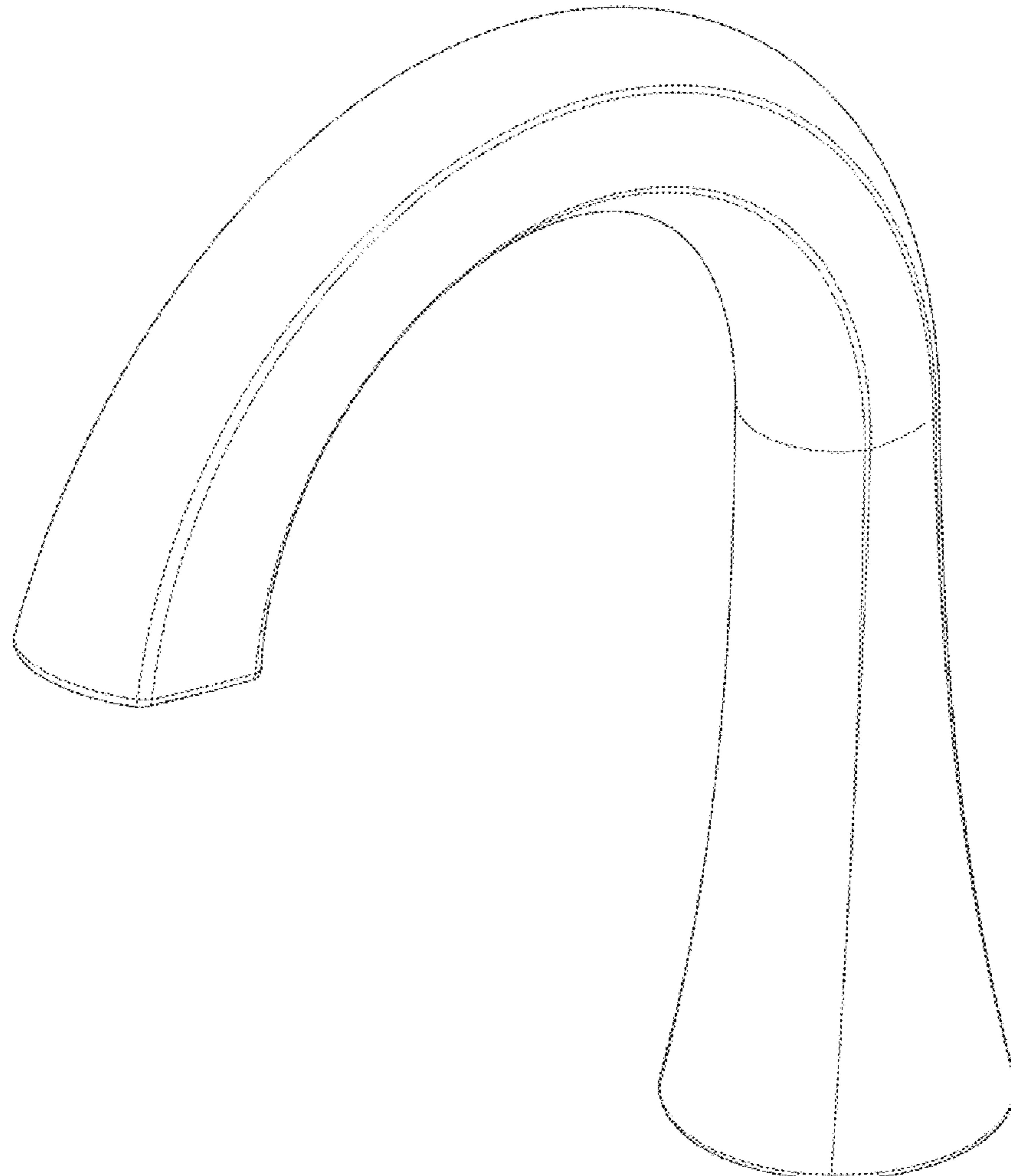
(51) **LOC (13) Cl.** **23-01**

FIG. 1 is a front perspective view of a faucet spout showing my new design;
FIG. 2 is a rear perspective view thereof;
FIG. 3 is a front elevational view thereof;
FIG. 4 is a left side view thereof;
FIG. 5 is a rear view thereof;
FIG. 6 is a right side view thereof; and,
FIG. 7 is a top plan view thereof.

(52) **U.S. Cl.**
USPC **D23/255**

(58) **Field of Classification Search**
USPC D23/241–243, 255, 257
See application file for complete search history.

1 Claim, 4 Drawing Sheets



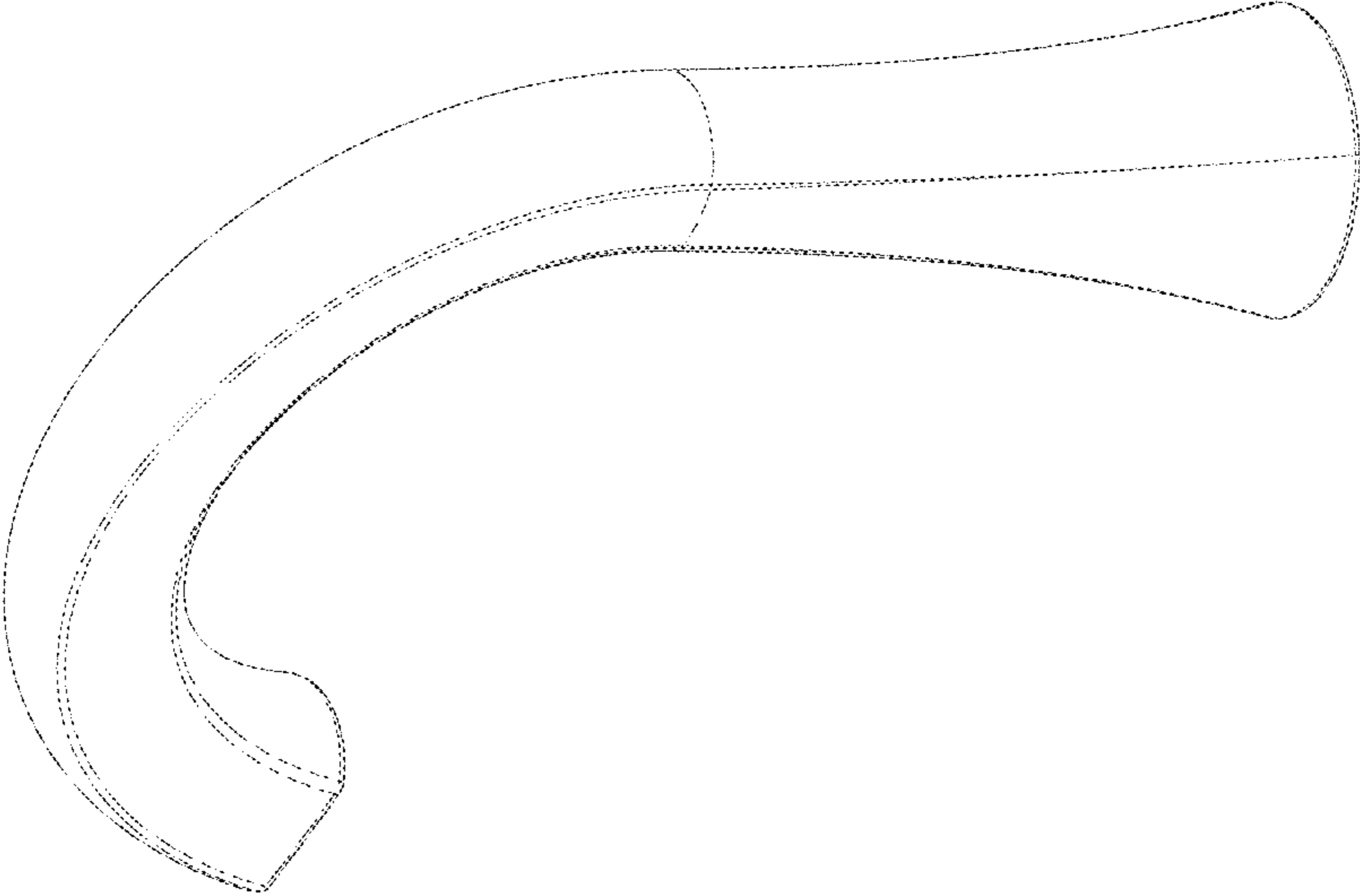


FIG - 2

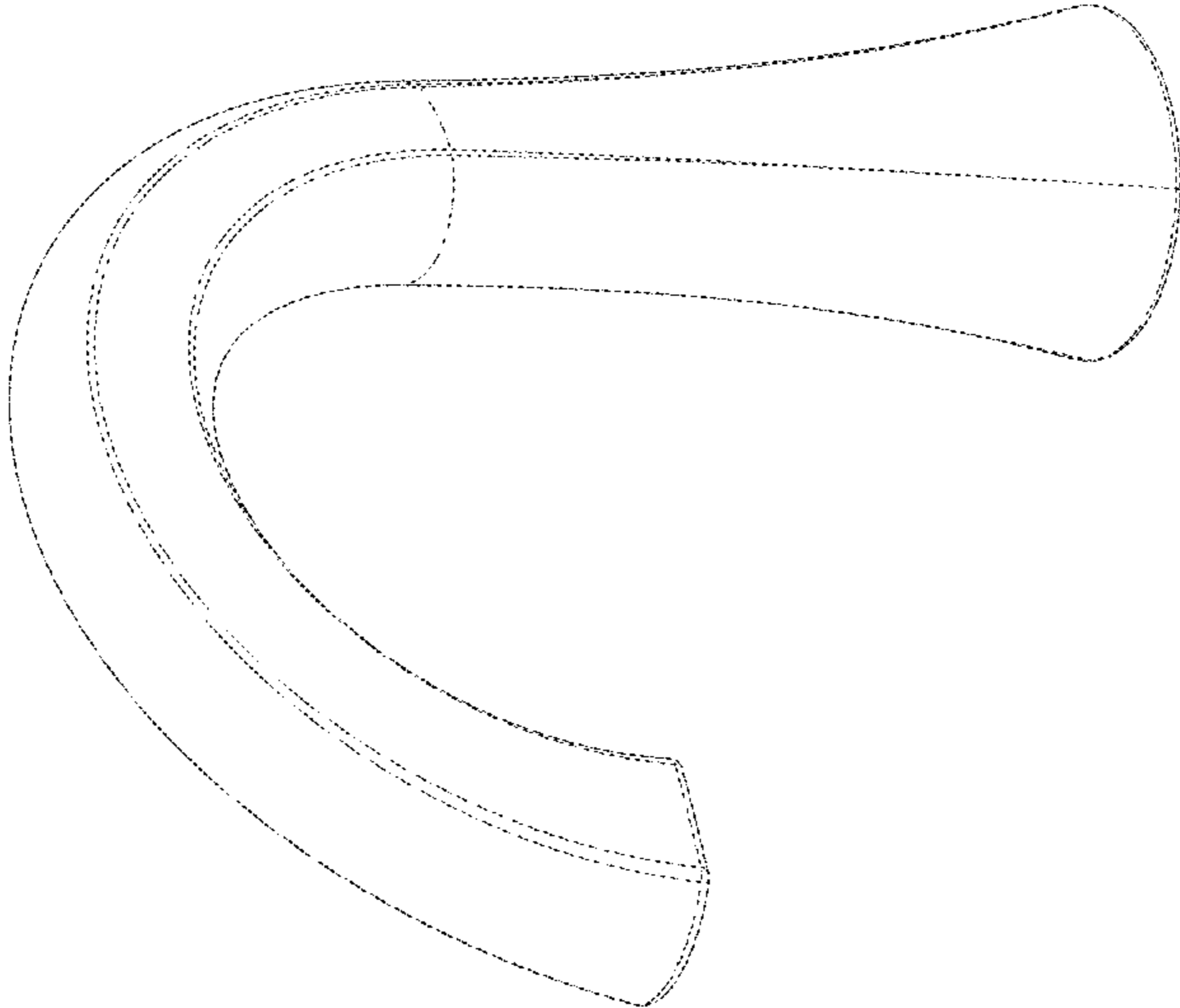


FIG - 1

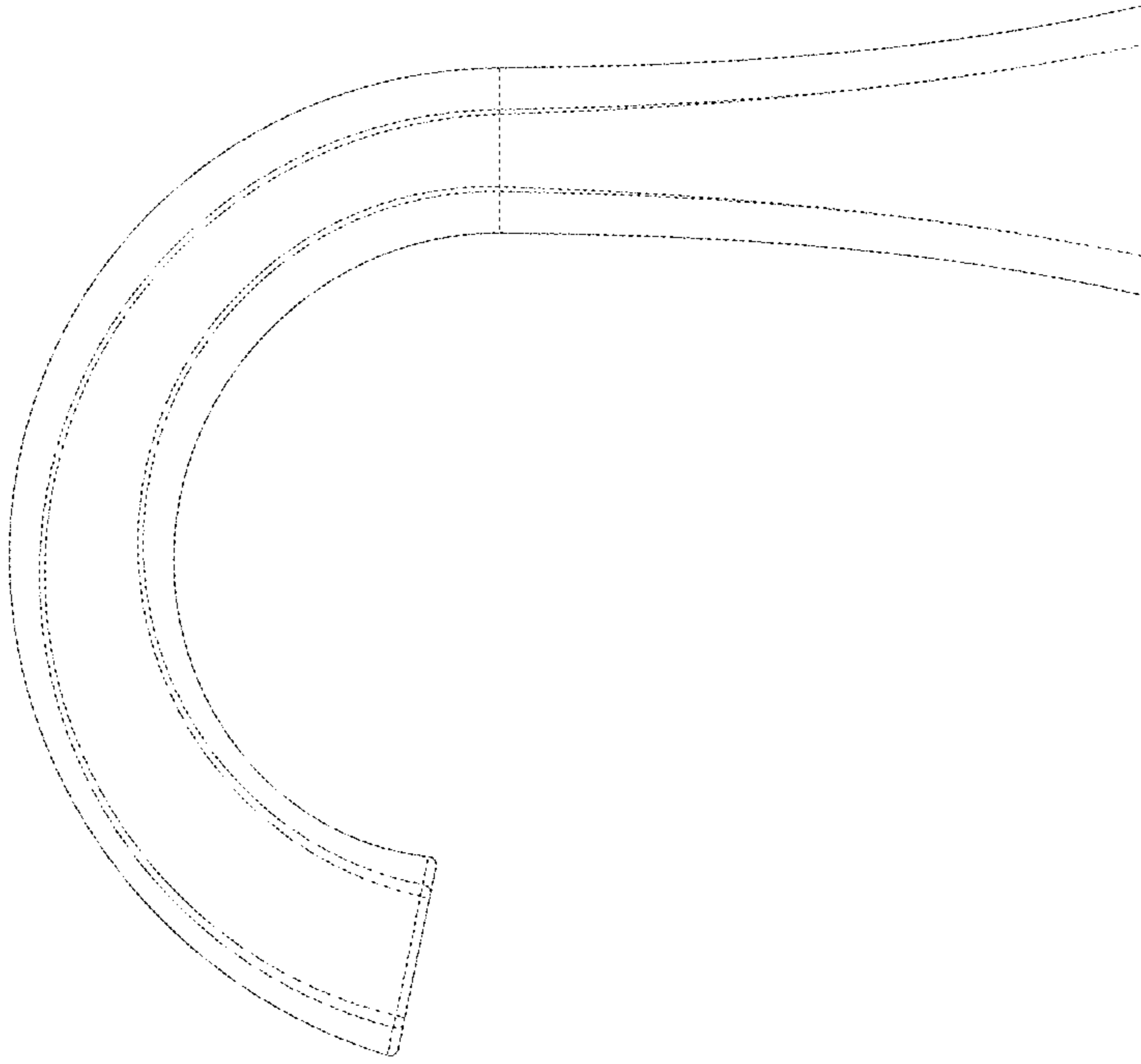


FIG - 4

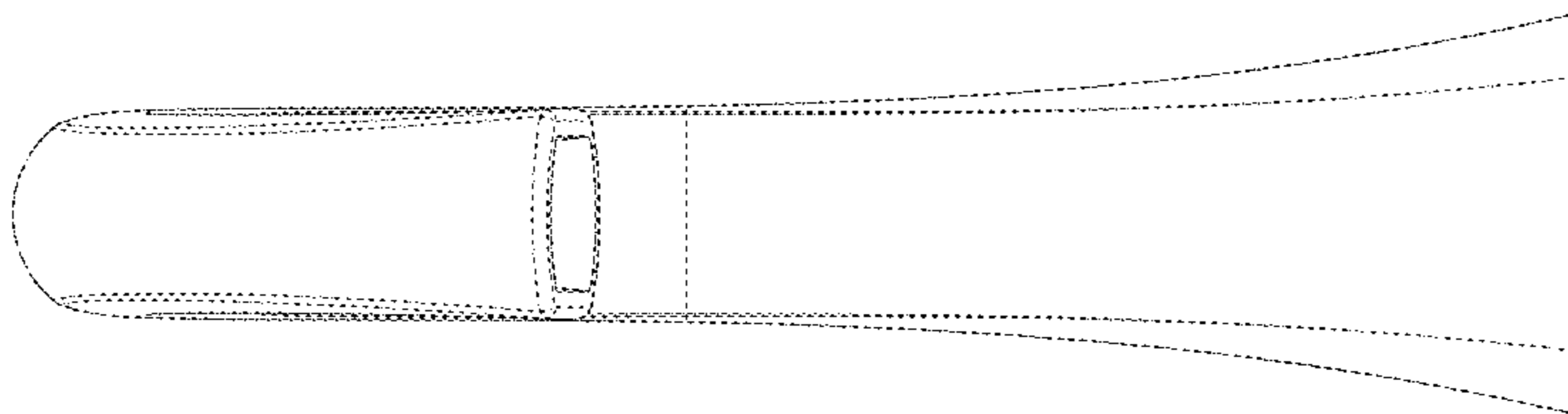


FIG - 3

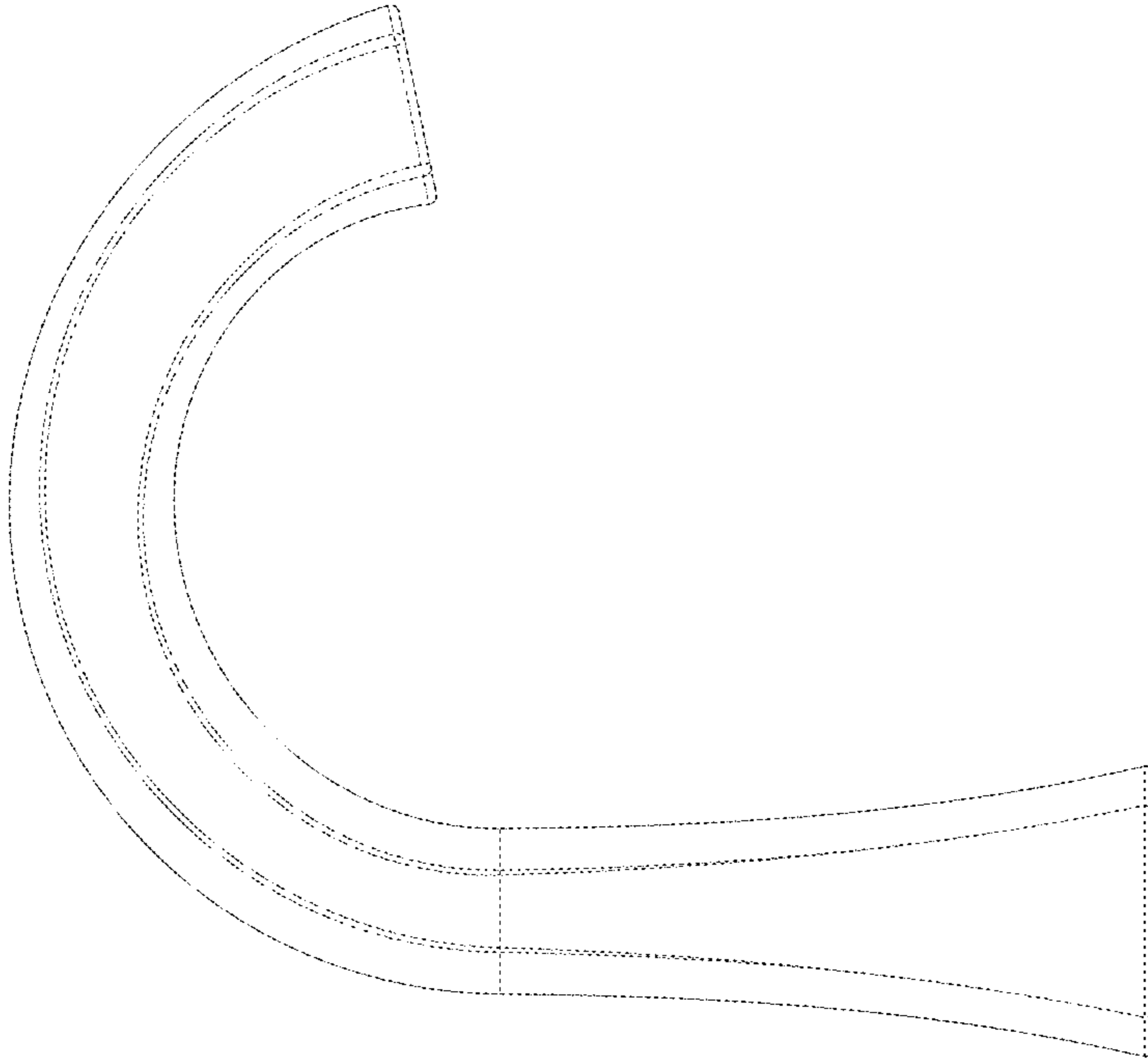


FIG - 6

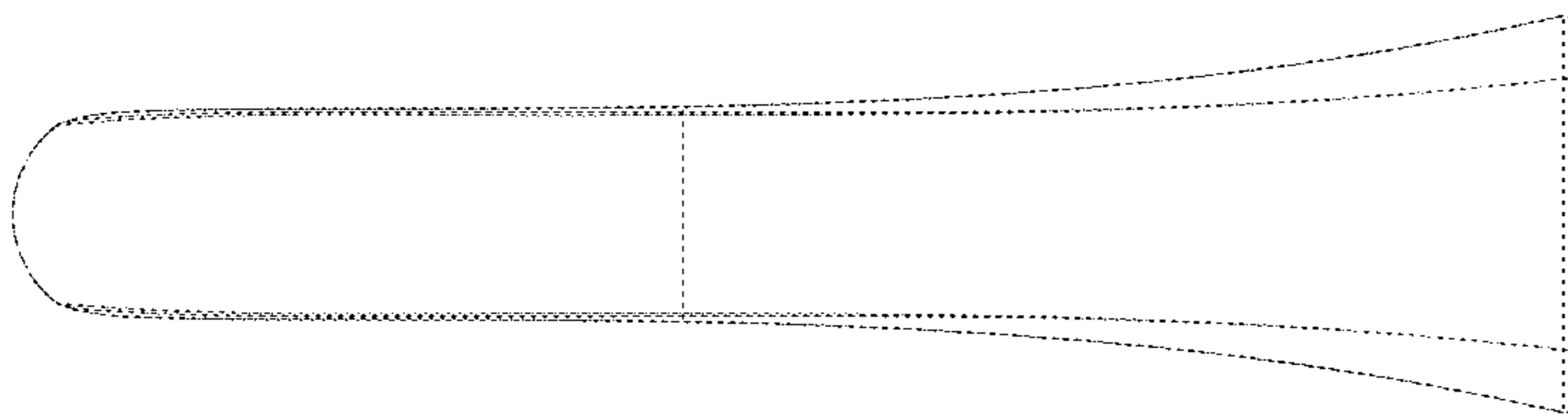


FIG - 5

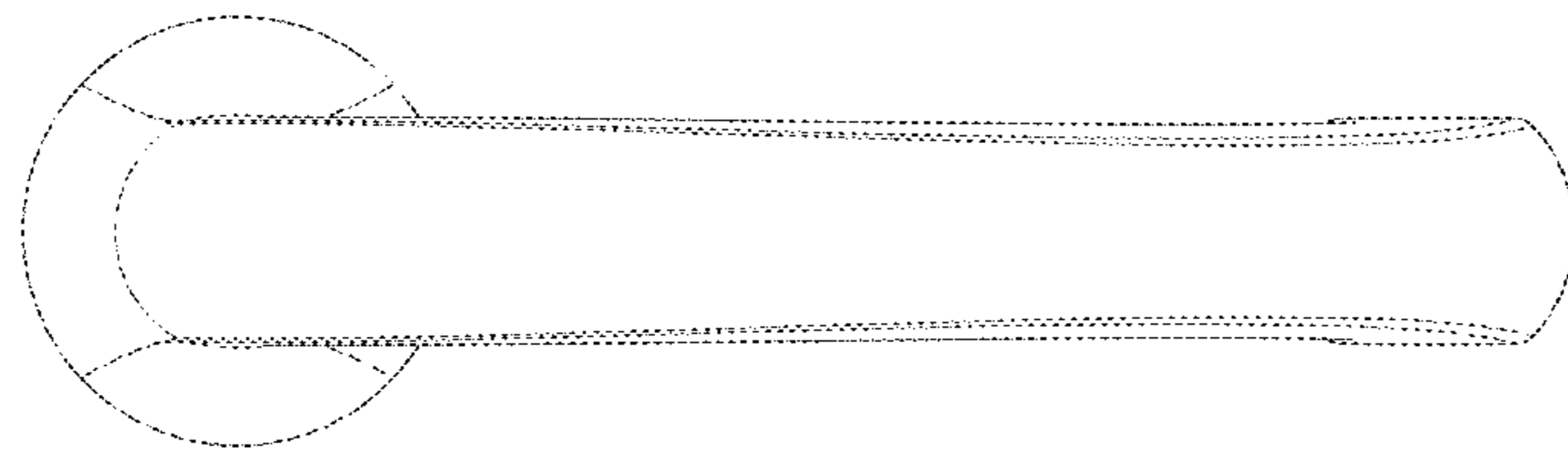


FIG - 7