



US00D956934S

(12) **United States Design Patent** (10) **Patent No.:** **US D956,934 S**  
**Parsons** (45) **Date of Patent:** **\*\* Jul. 5, 2022**

(54) **FAUCET HANDLE**

FOREIGN PATENT DOCUMENTS

(71) Applicant: **DELTA FAUCET COMPANY,**  
Indianapolis, IN (US)

CN 202030148079.9 \* 4/2020  
IN 319711-001 \* 7/2019

(72) Inventor: **Sam Parsons,** Glenview, IL (US)

OTHER PUBLICATIONS

(73) Assignee: **DELTA FAUCET COMPANY,**  
Indianapolis, IN (US)

Amazon, FMOGG Curved Basin Faucet, posted Feb. 22, 2022, [online], [visited Feb. 23, 2022]. Internet, <URL: <https://www.amazon.co.uk/Shower-Curved-Triple-Beautiful-Practical/dp/B09T3DQB1M/ref>> (Year: 2022).\*

(\*\*) Term: **15 Years**

Amazon, Inchant Modern Waterfall Sink Faucet, posted Aug. 27, 2016, [online], [visited Feb. 23, 2022]. Internet, <URL: <https://www.amazon.co.uk/Waterfall-widespread-Monobloc-Bathroom-Lavatory/dp/B01L3l613W/ref>> (Year: 2016).\*

(21) Appl. No.: **29/766,244**

(22) Filed: **Jan. 14, 2021**

(51) **LOC (13) Cl.** ..... **23-01**

\* cited by examiner

(52) **U.S. Cl.**

USPC ..... **D23/252**

*Primary Examiner* — Samantha Wood

(58) **Field of Classification Search**

USPC ..... D23/238, 239, 240, 241, 242, 243, 246,  
D23/247, 249, 250, 251, 252, 253;  
D8/300, 307, 308

(74) *Attorney, Agent, or Firm* — Nirav D. Parikh; Edgar A. Zarins

CPC . E03C 1/01; E03C 1/04; E03C 1/0401; E03C  
1/0402; E03C 1/0405; E03C 1/0408;  
E03C 1/025; E03C 1/0409; E03C 1/0412;  
Y10T 137/5339; Y10T 137/6014; Y10T  
137/6021

(57) **CLAIM**

See application file for complete search history.

The ornamental design for a faucet handle, as shown and described.

**DESCRIPTION**

(56) **References Cited**

U.S. PATENT DOCUMENTS

D322,840 S \* 12/1991 Rodstein ..... D23/255  
D462,748 S \* 9/2002 Slothower ..... D23/250  
D512,125 S \* 11/2005 Kulig ..... D23/238  
D512,487 S \* 12/2005 Kulig ..... D23/252  
D607,545 S \* 1/2010 Obara ..... D23/255  
D632,369 S \* 2/2011 Kulig ..... D23/252  
D868,942 S \* 12/2019 Eads ..... D23/250  
D870,243 S \* 12/2019 Eads ..... D23/250  
D898,166 S \* 10/2020 Eads ..... D23/255  
10,955,059 B2 \* 3/2021 Rosko ..... F16K 11/22

FIG. 1 is a front perspective view of a faucet handle showing my new design;

FIG. 2 is a rear perspective view thereof;

FIG. 3 is a front elevational view thereof;

FIG. 4 is a left side view thereof;

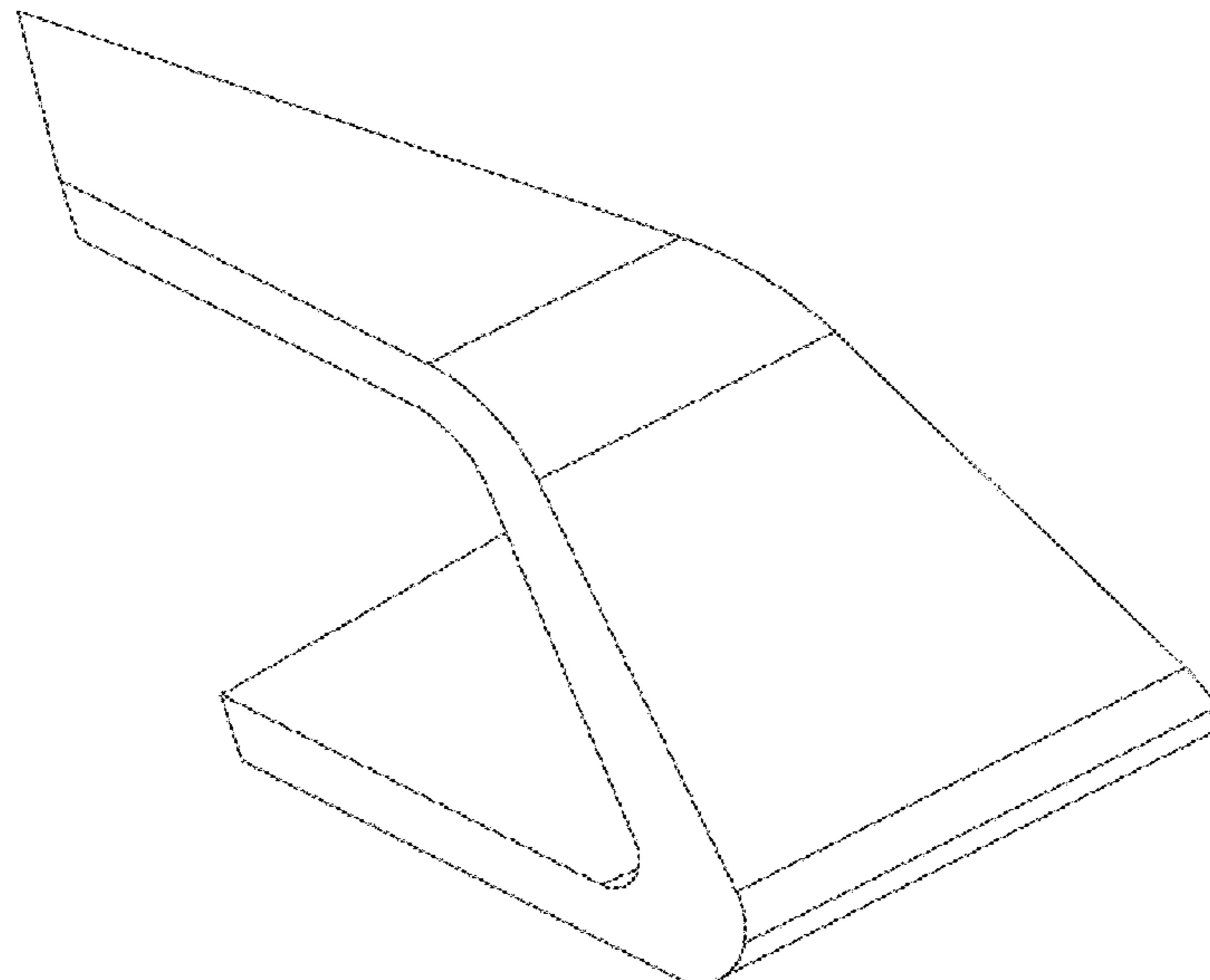
FIG. 5 is a rear view thereof;

FIG. 6 is a right side view thereof;

FIG. 7 is a top plan view thereof; and,

FIG. 8 is a bottom view thereof.

**1 Claim, 4 Drawing Sheets**



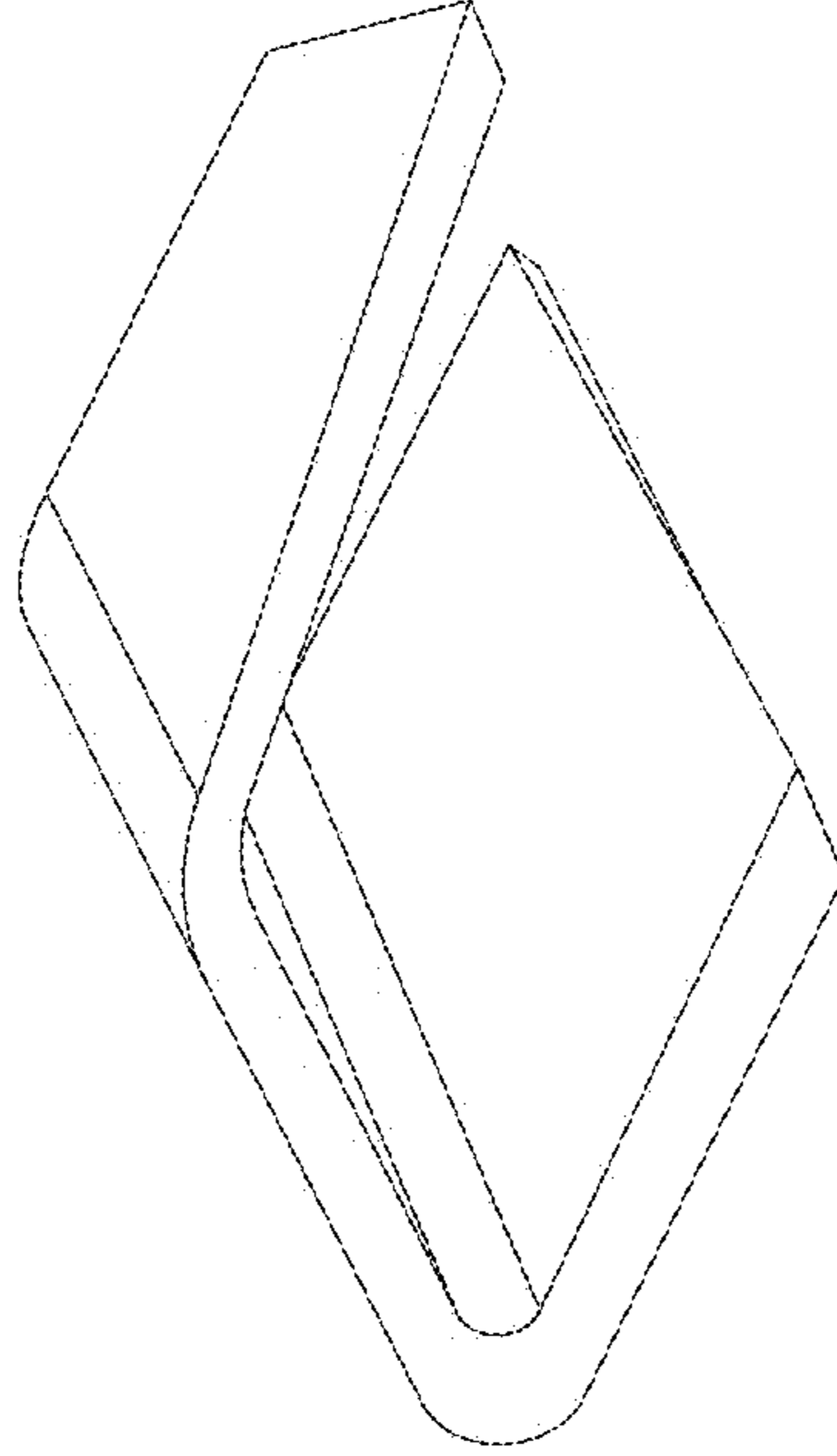


FIG - 2

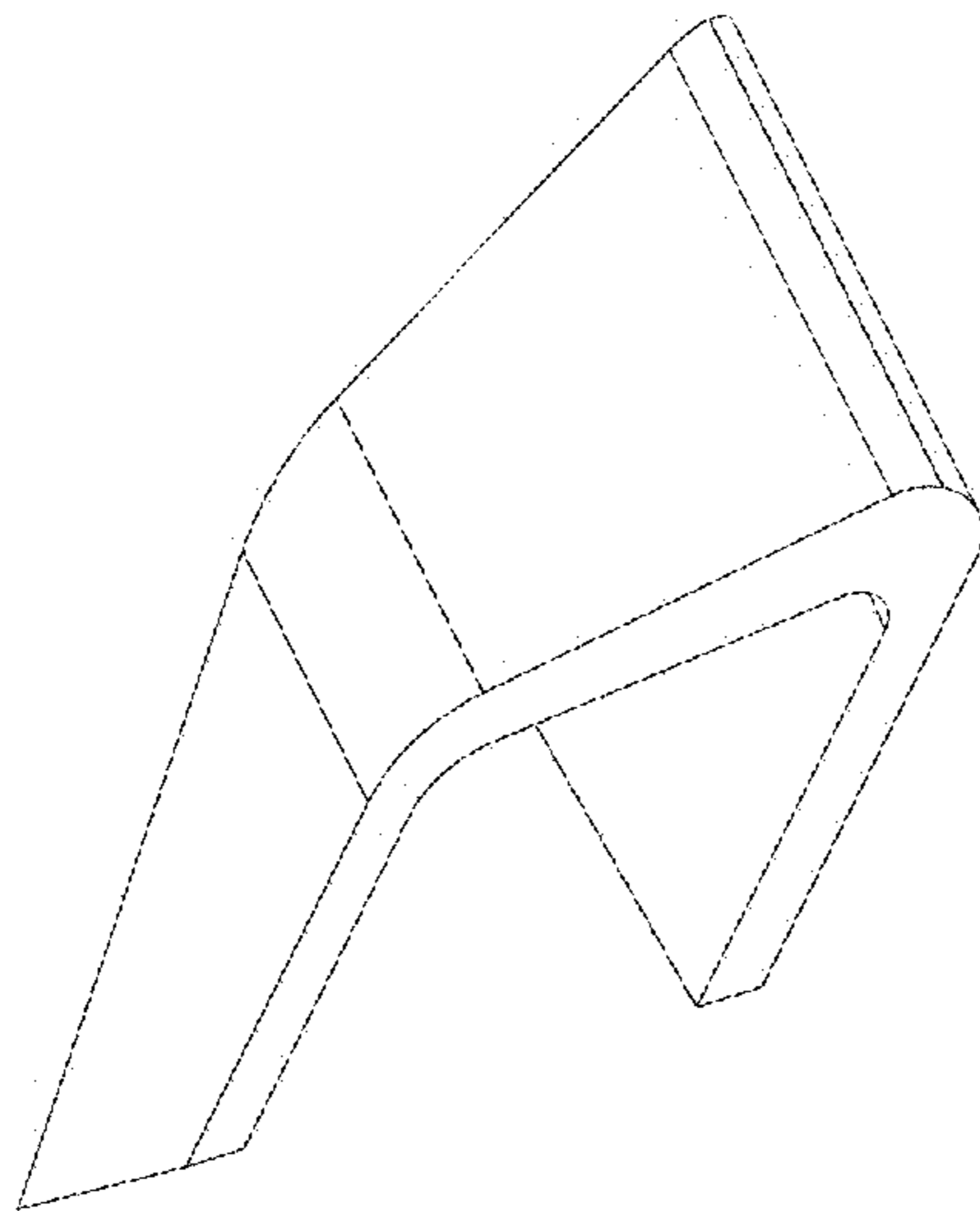


FIG - 1

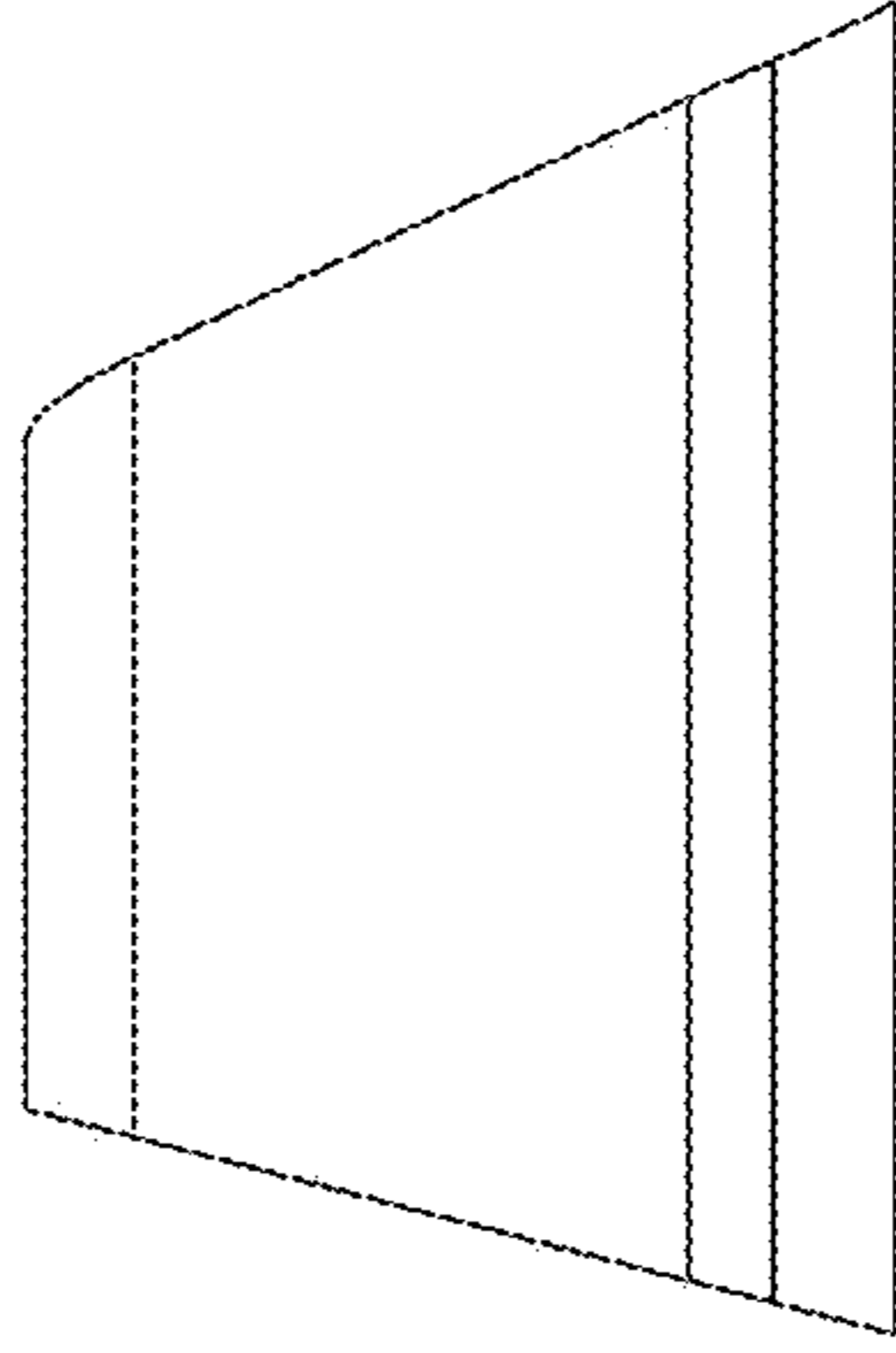


FIG - 4

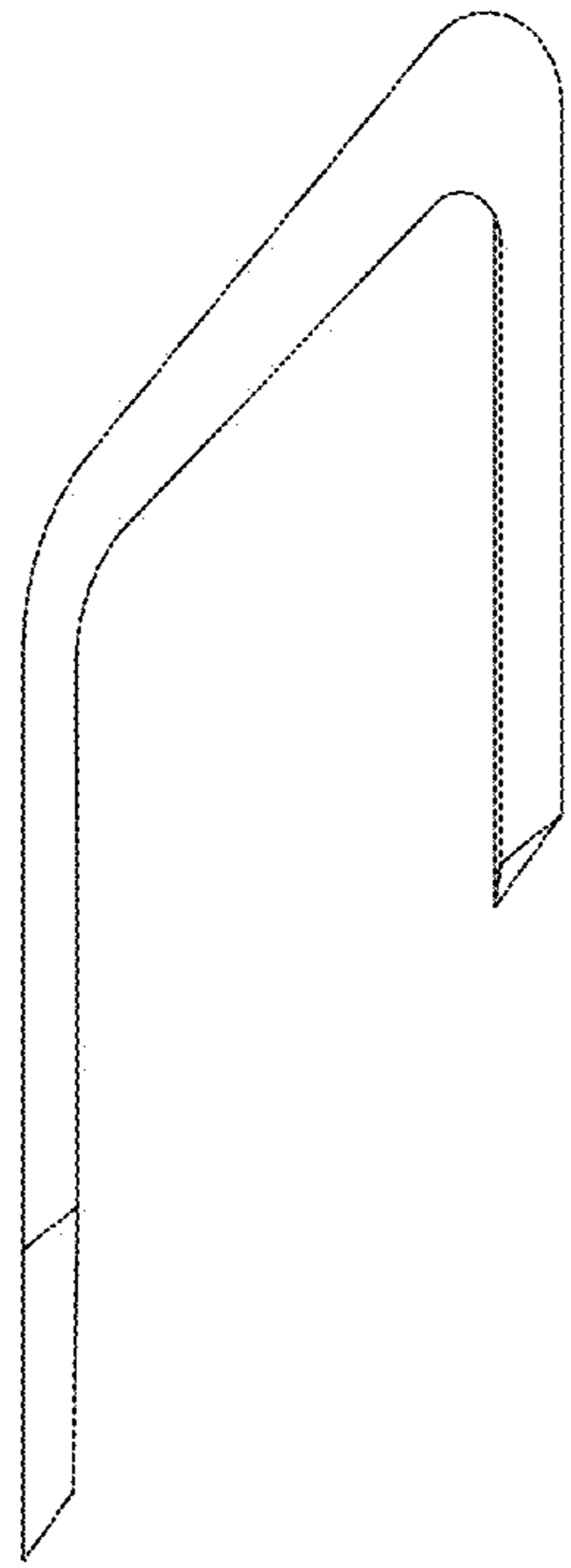


FIG - 3

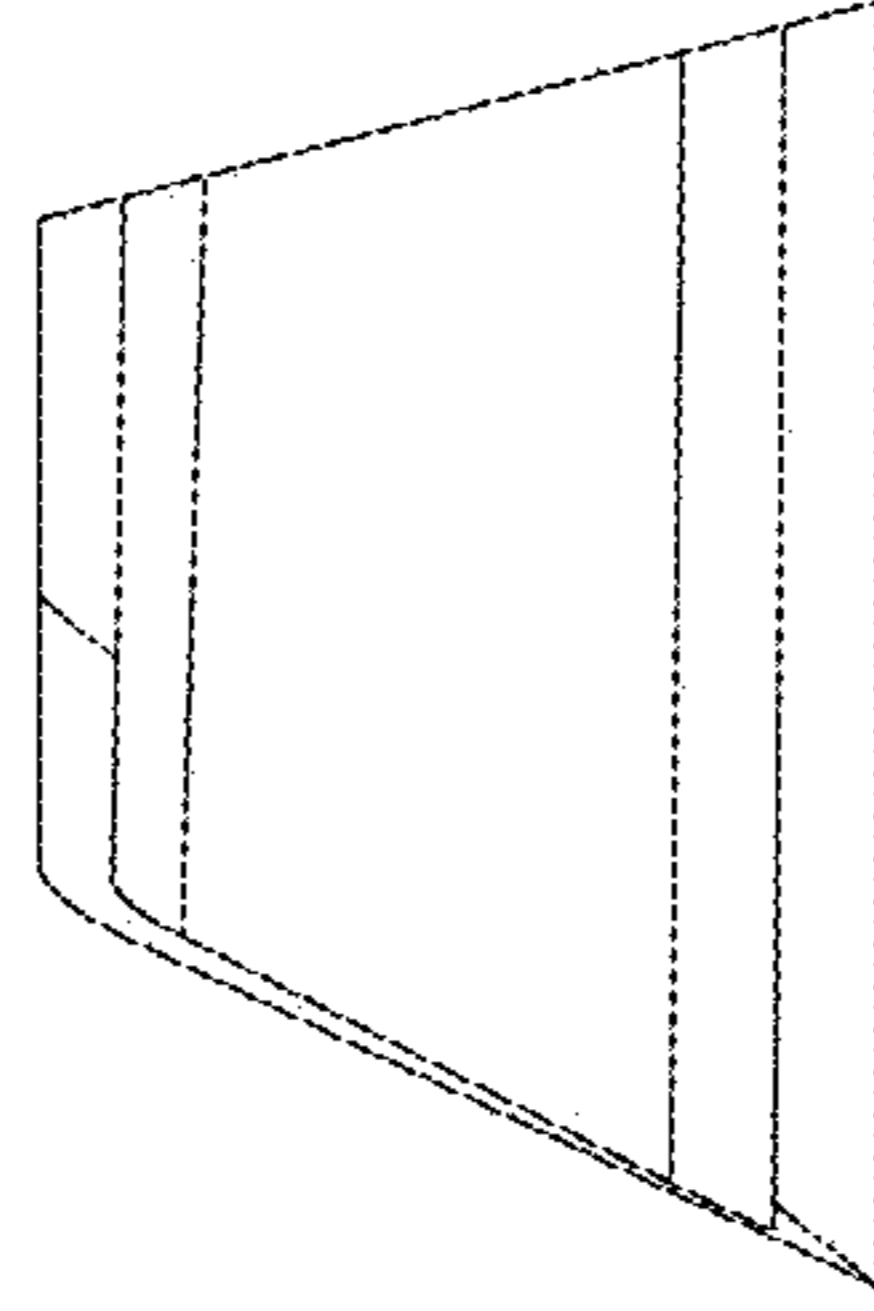


FIG - 6

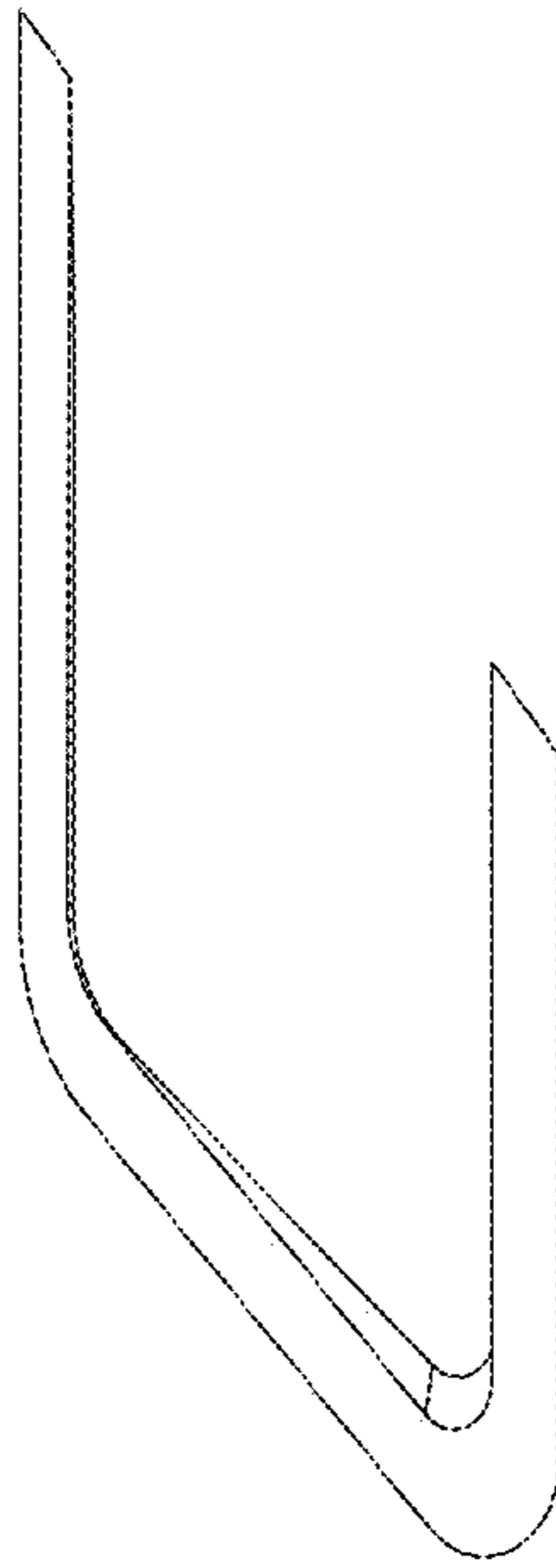


FIG - 5

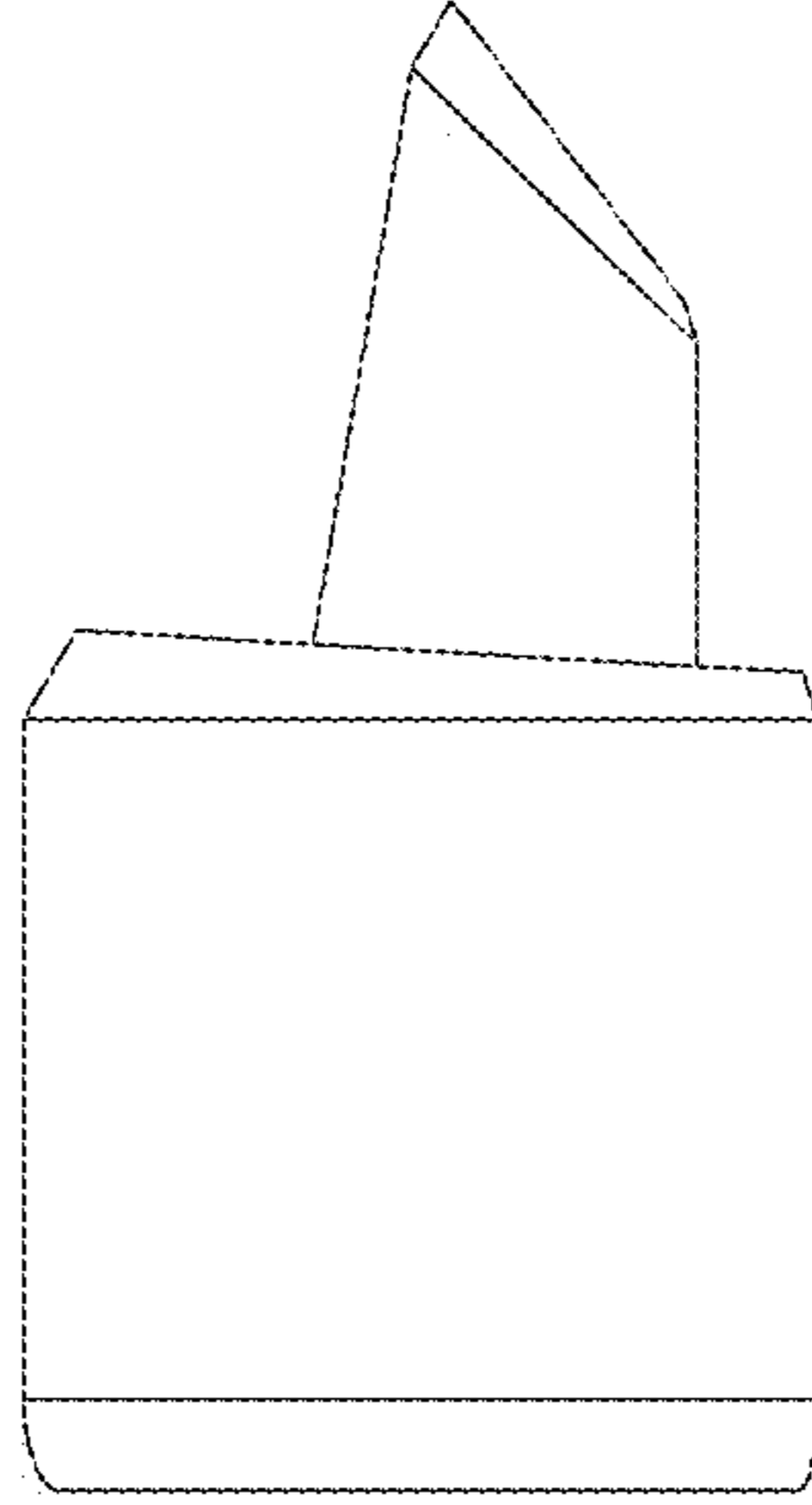


FIG - 8

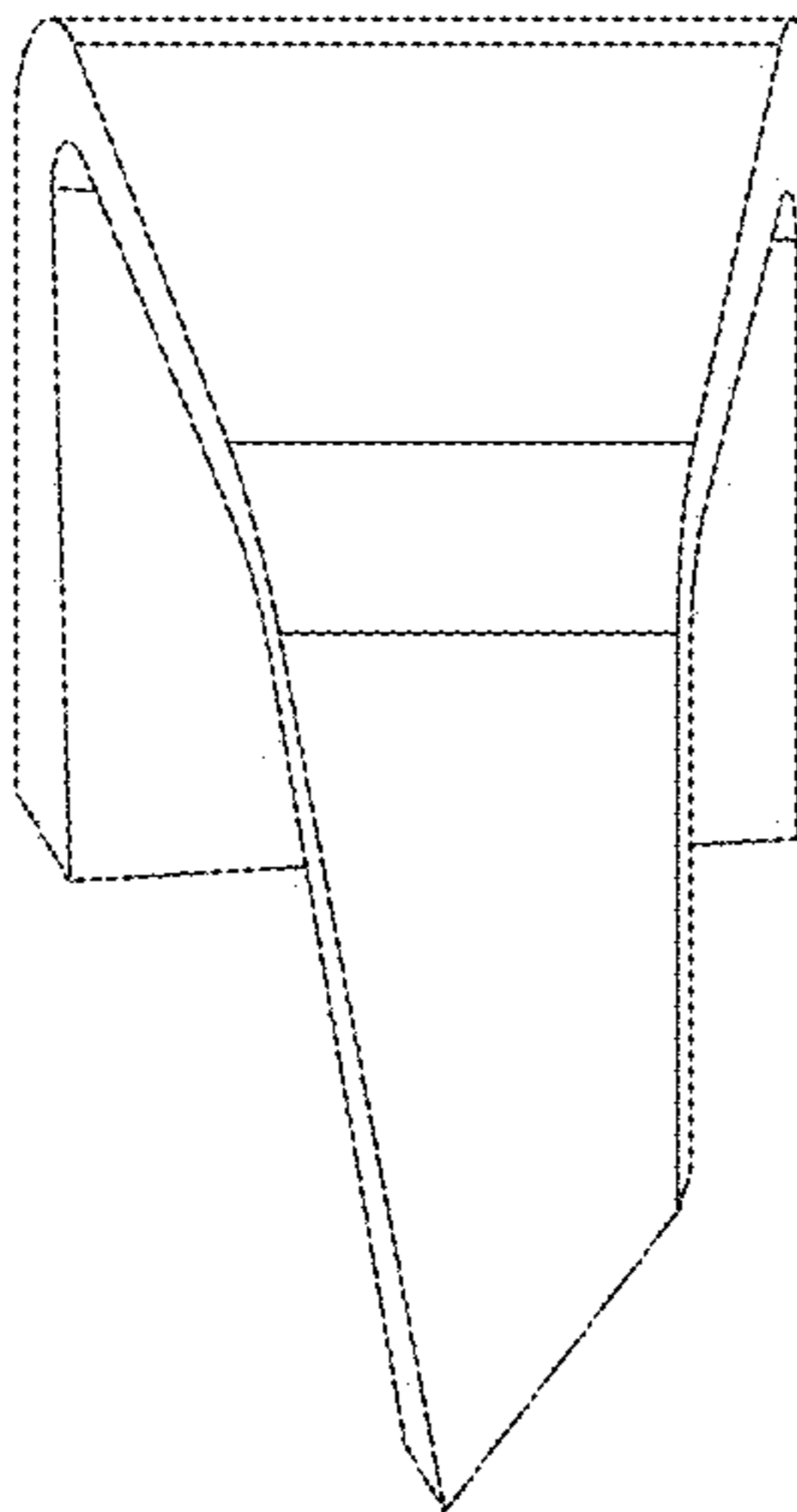


FIG - 7