



US00D956933S

(12) **United States Design Patent** (10) **Patent No.:** **US D956,933 S**
Sannito (45) **Date of Patent:** **** Jul. 5, 2022**

(54) **FAUCET HANDLE**

D910,817 S * 2/2021 Zhang D23/238
D936,795 S * 11/2021 Zhang D23/252
D939,053 S * 12/2021 Soulier D23/238

(71) Applicant: **DELTA FAUCET COMPANY,**
Indianapolis, IN (US)

FOREIGN PATENT DOCUMENTS

(72) Inventor: **Connor Sannito,** Sturgeon Bay, WI
(US)

CN 201830188446 * 4/2018
CN 201930392013.1 * 7/2019
JP D2005-7314 * 3/2005

(73) Assignee: **DELTA FAUCET COMPANY,**
Indianapolis, IN (US)

OTHER PUBLICATIONS

(**) Term: **15 Years**

Amazon, History Taps for Bathroom, posted May 15, 2020, [online],
[visited Feb. 23, 2022]. Internet, <URL: <https://www.amazon.co.uk/Bathroom-Vanity-Faucets-Geometric-Kitchen/dp/B088NY4ZL7/ref>> (Year: 2020).*

(21) Appl. No.: **29/765,695**

Amazon, JiuZhuo Single Handle Sink Faucet, posted Sep. 2, 2021,
[online], [visited Feb. 23, 2022]. Internet, <URL: <https://www.amazon.co.uk/Jiuzhuo-Single-Geometric-Bathroom-Architectural/dp/B09F9JVFCQ/ref>> (Year: 2021).*

(22) Filed: **Jan. 11, 2021**

(51) **LOC (13) Cl.** **23-01**

(52) **U.S. Cl.**

USPC **D23/252**

(58) **Field of Classification Search**

USPC D23/238, 239, 240, 241, 242, 243, 246,
D23/247, 249, 250, 251, 252, 253;
D8/300, 307, 308

CPC . E03C 1/01; E03C 1/04; E03C 1/0401; E03C
1/0402; E03C 1/0405; E03C 1/0408;
E03C 1/025; E03C 1/0409; E03C 1/0412;
Y10T 137/5339; Y10T 137/6014; Y10T
137/6021

See application file for complete search history.

* cited by examiner

Primary Examiner — Samantha Wood

(74) *Attorney, Agent, or Firm* — Nirav D. Parikh; Edgar
A. Zarins

(57) **CLAIM**

The ornamental design for a faucet handle, as shown and
described.

DESCRIPTION

FIG. 1 is a front perspective view of a faucet handle showing
my new design;

FIG. 2 is a rear perspective view thereof;

FIG. 3 is a front elevational view thereof;

FIG. 4 is a left side view thereof;

FIG. 5 is a rear view thereof;

FIG. 6 is a right side view thereof;

FIG. 7 is a top plan view thereof; and,

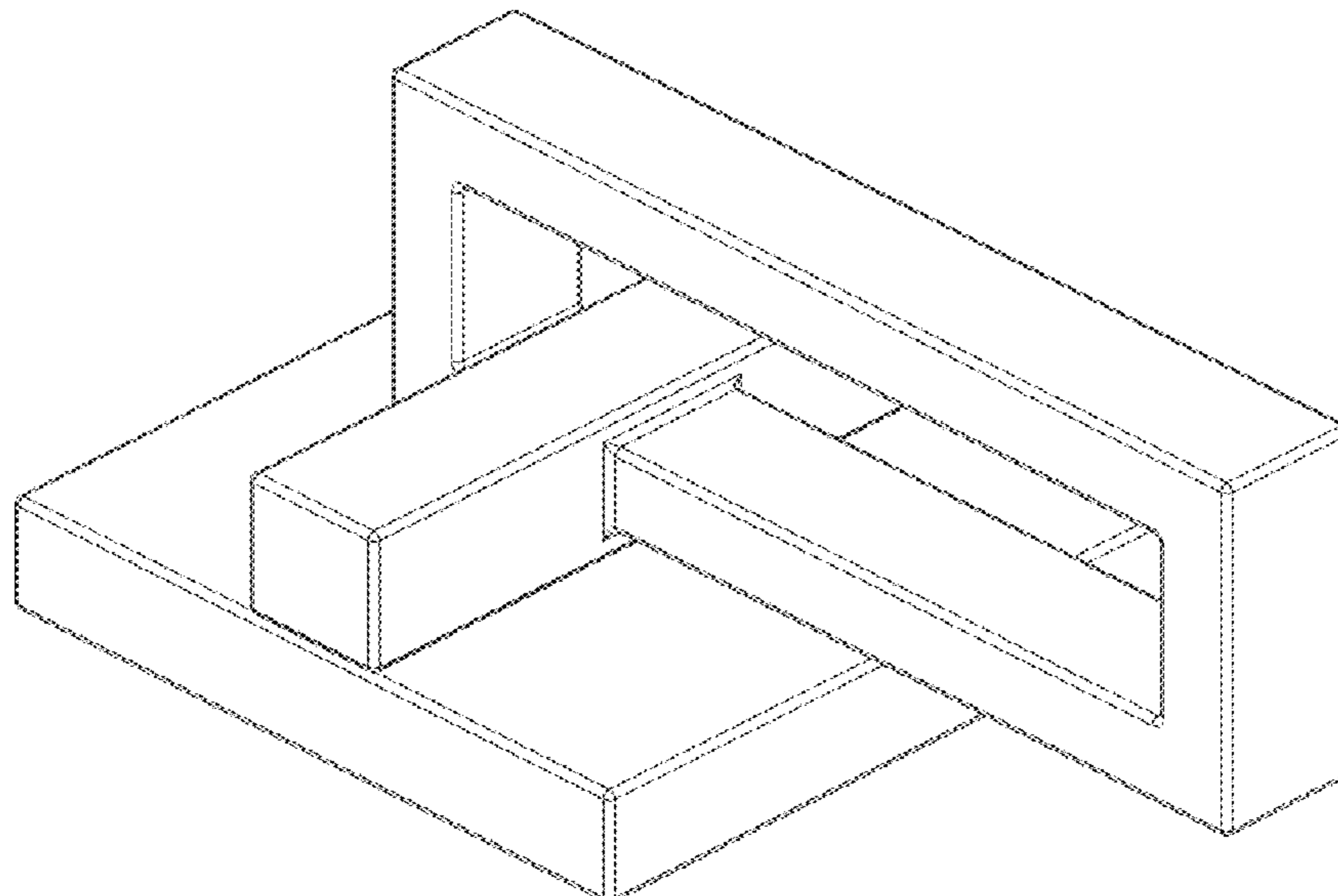
FIG. 8 is a bottom view thereof.

(56) **References Cited**

U.S. PATENT DOCUMENTS

D540,917 S * 4/2007 Kikuchi D23/242
D576,711 S * 9/2008 Urquiola D23/250
D581,016 S * 11/2008 Lin D23/238
D627,446 S * 11/2010 Yokoyama D23/254
D648,828 S * 11/2011 Meyer D23/254
D827,782 S * 9/2018 Soulier D23/252
D855,775 S * 8/2019 McKeone D23/250
D855,779 S * 8/2019 McKeone D23/255

1 Claim, 4 Drawing Sheets



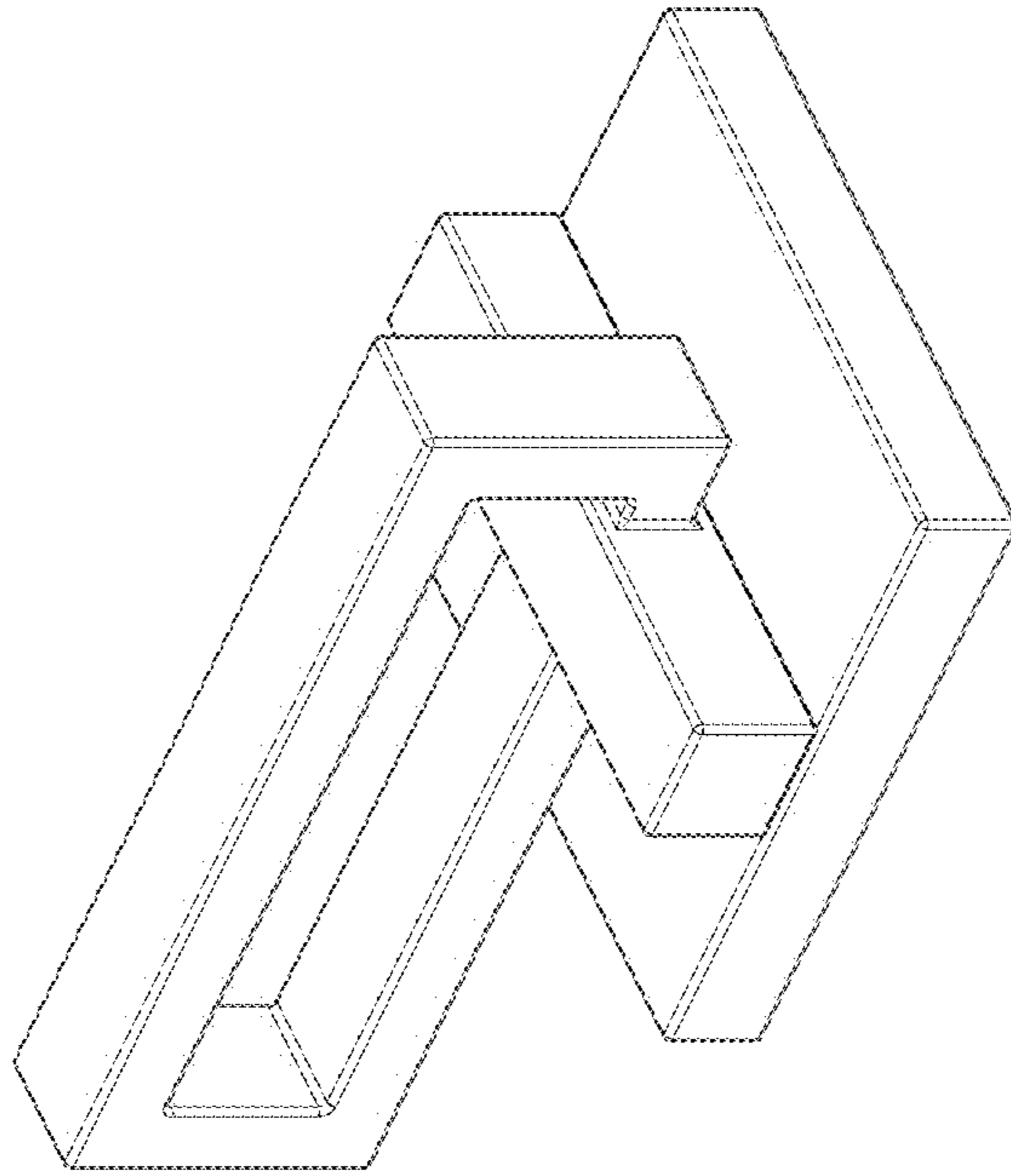


FIG - 2

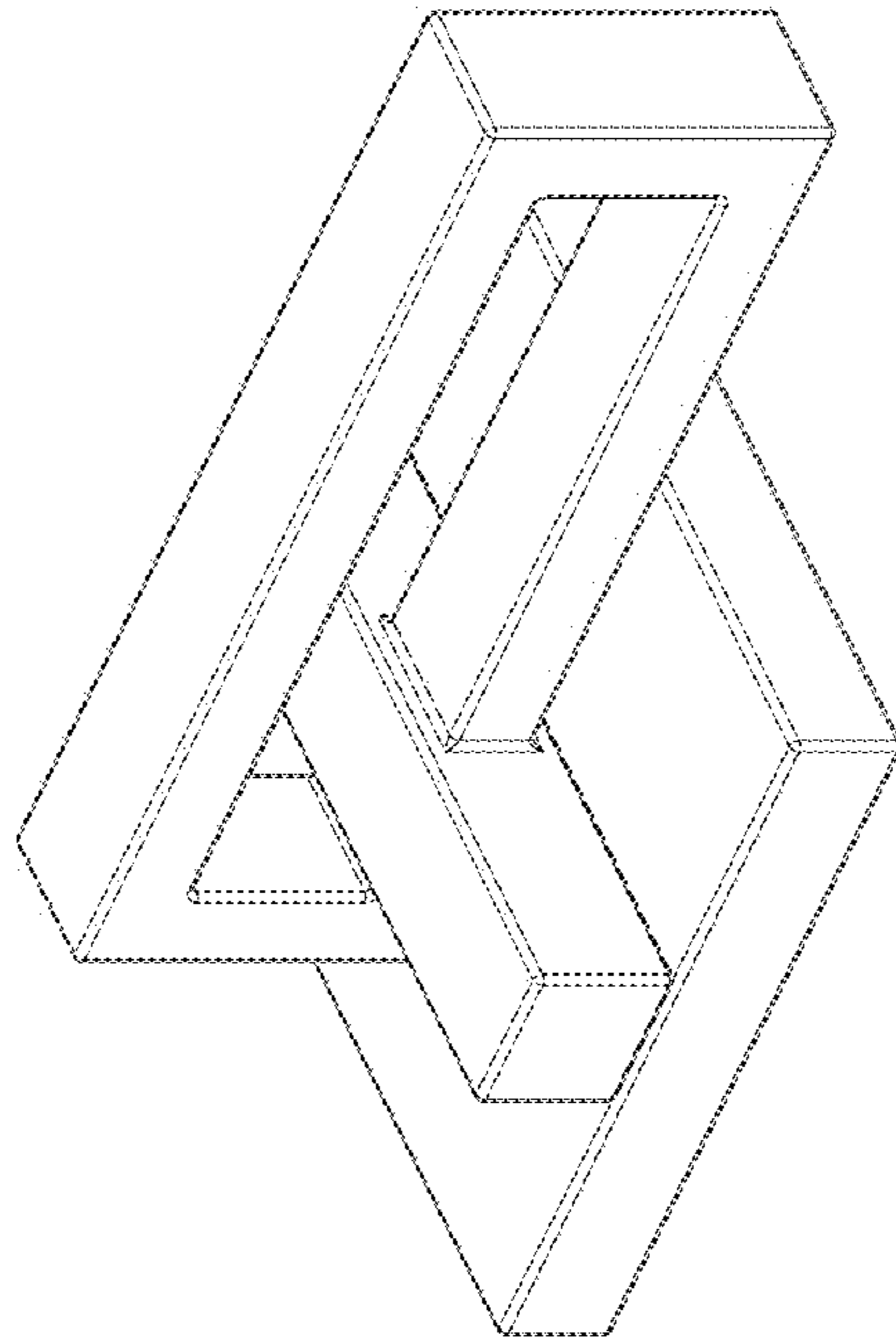


FIG - 1

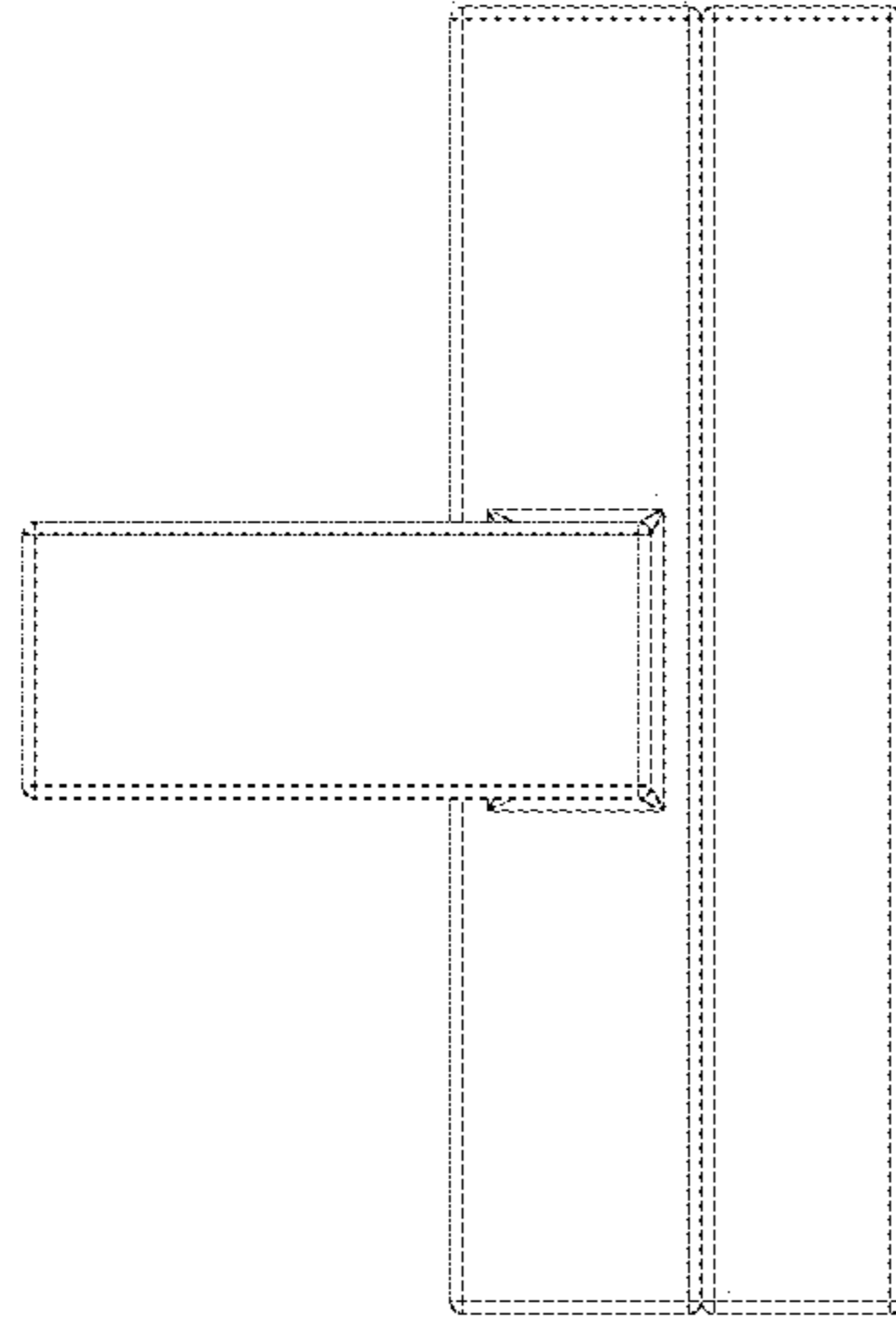


FIG - 4

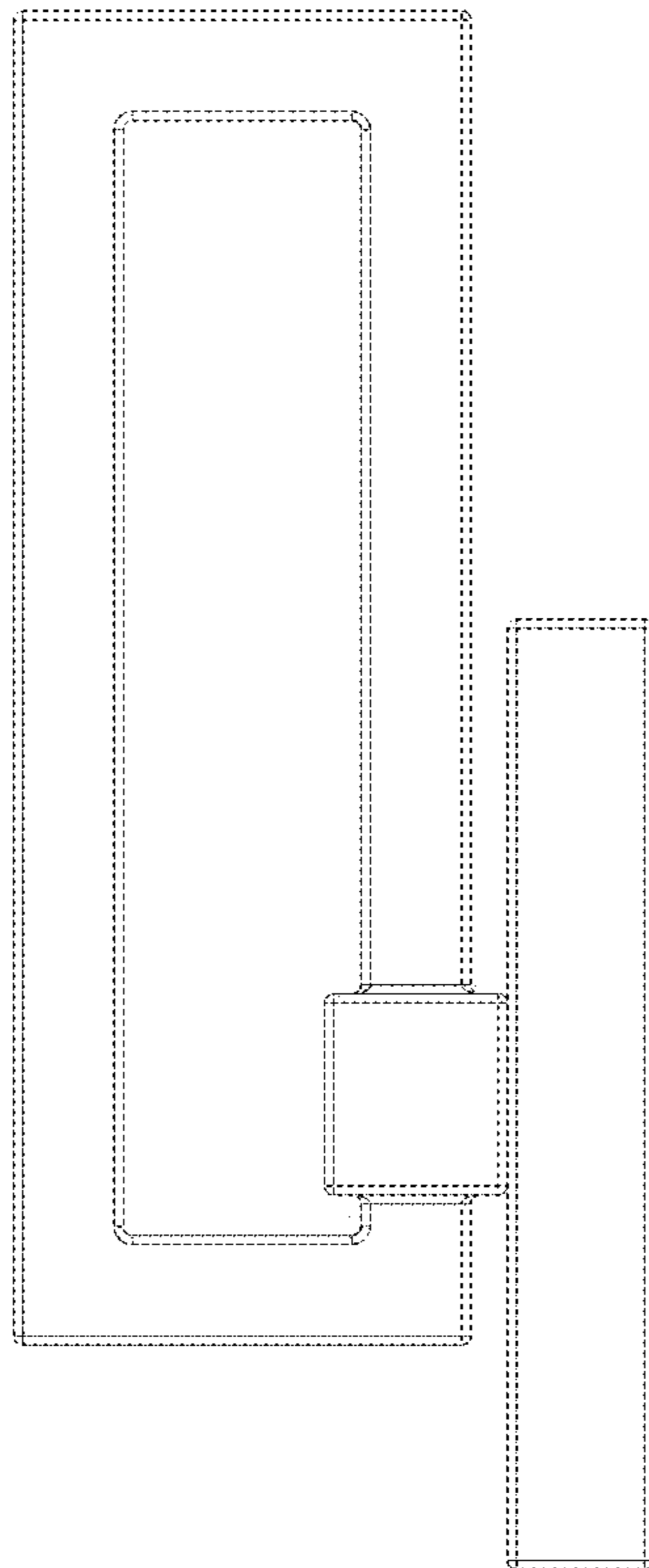


FIG - 3

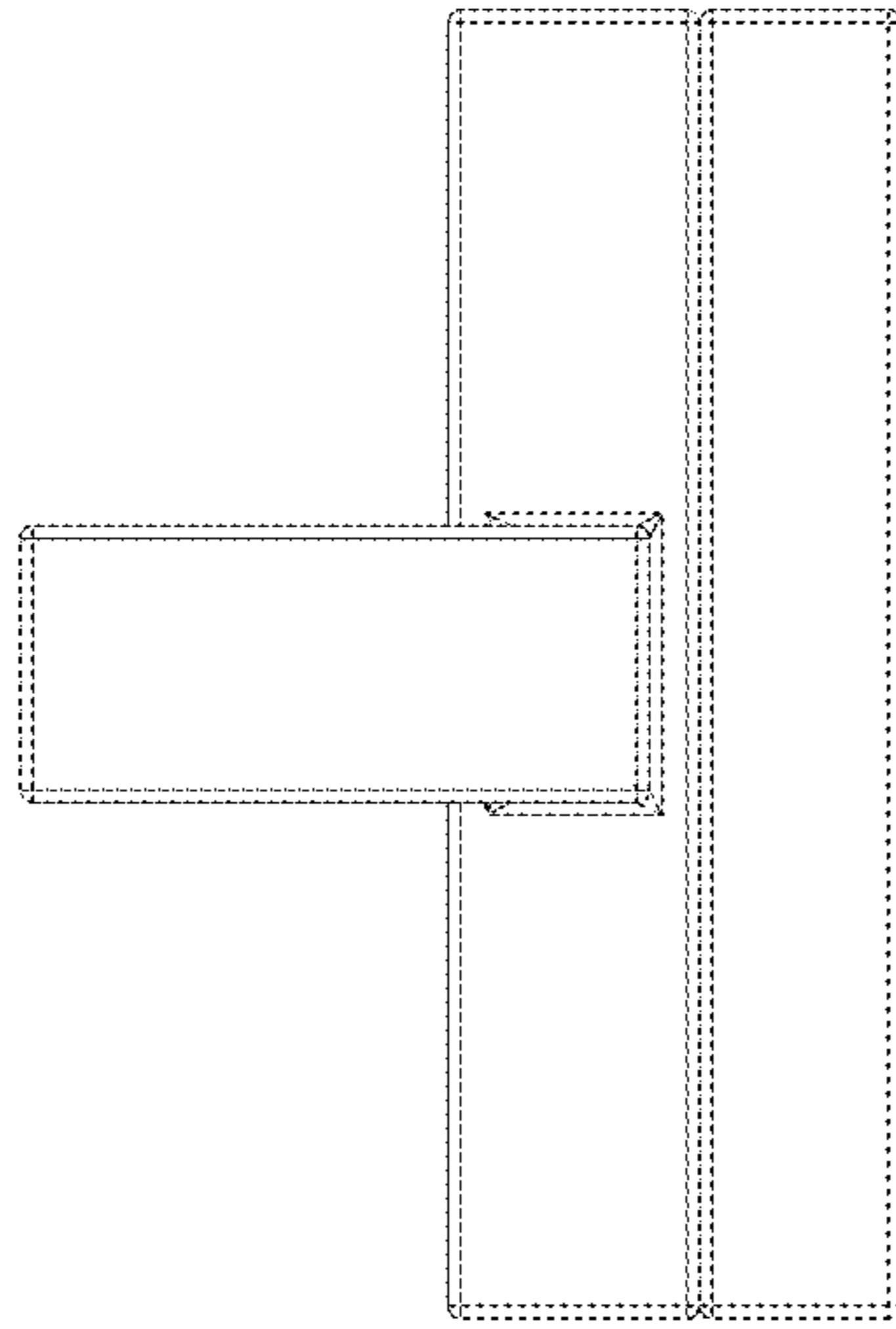


FIG - 6

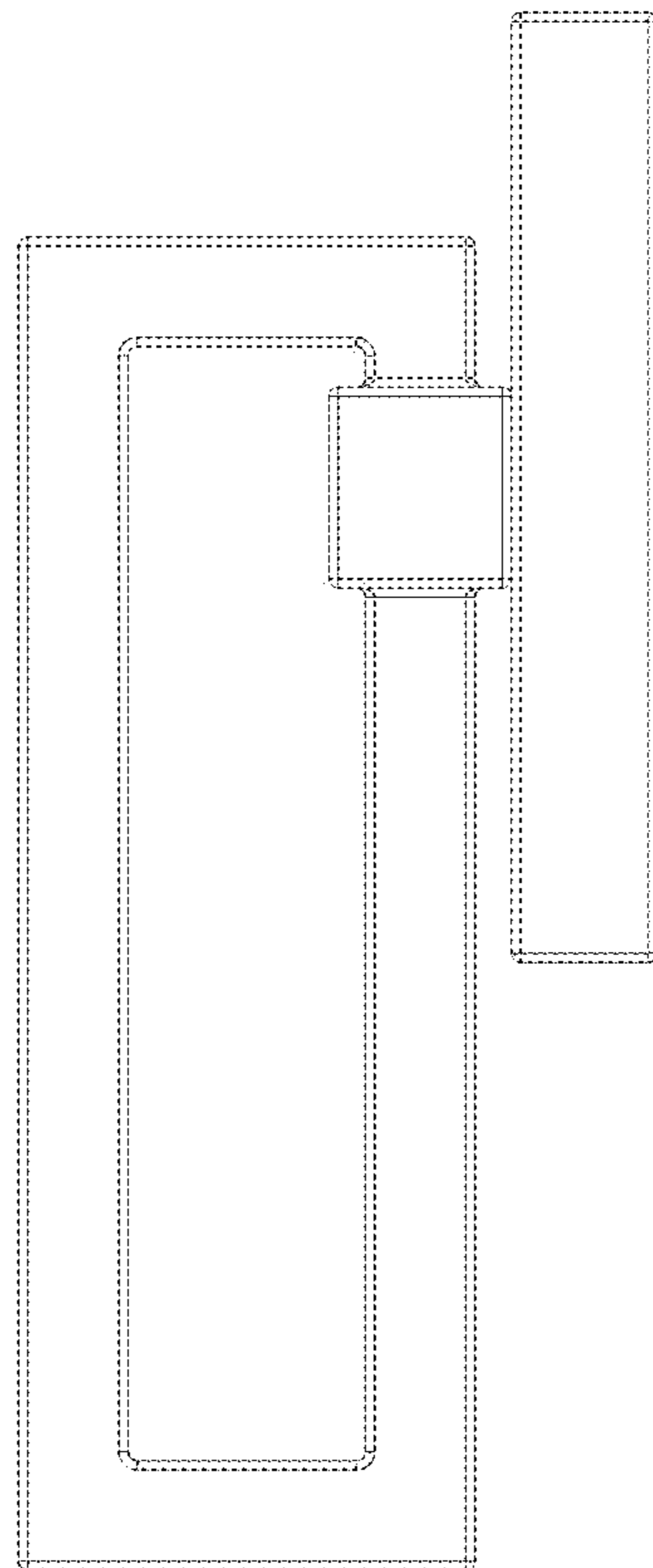


FIG - 5

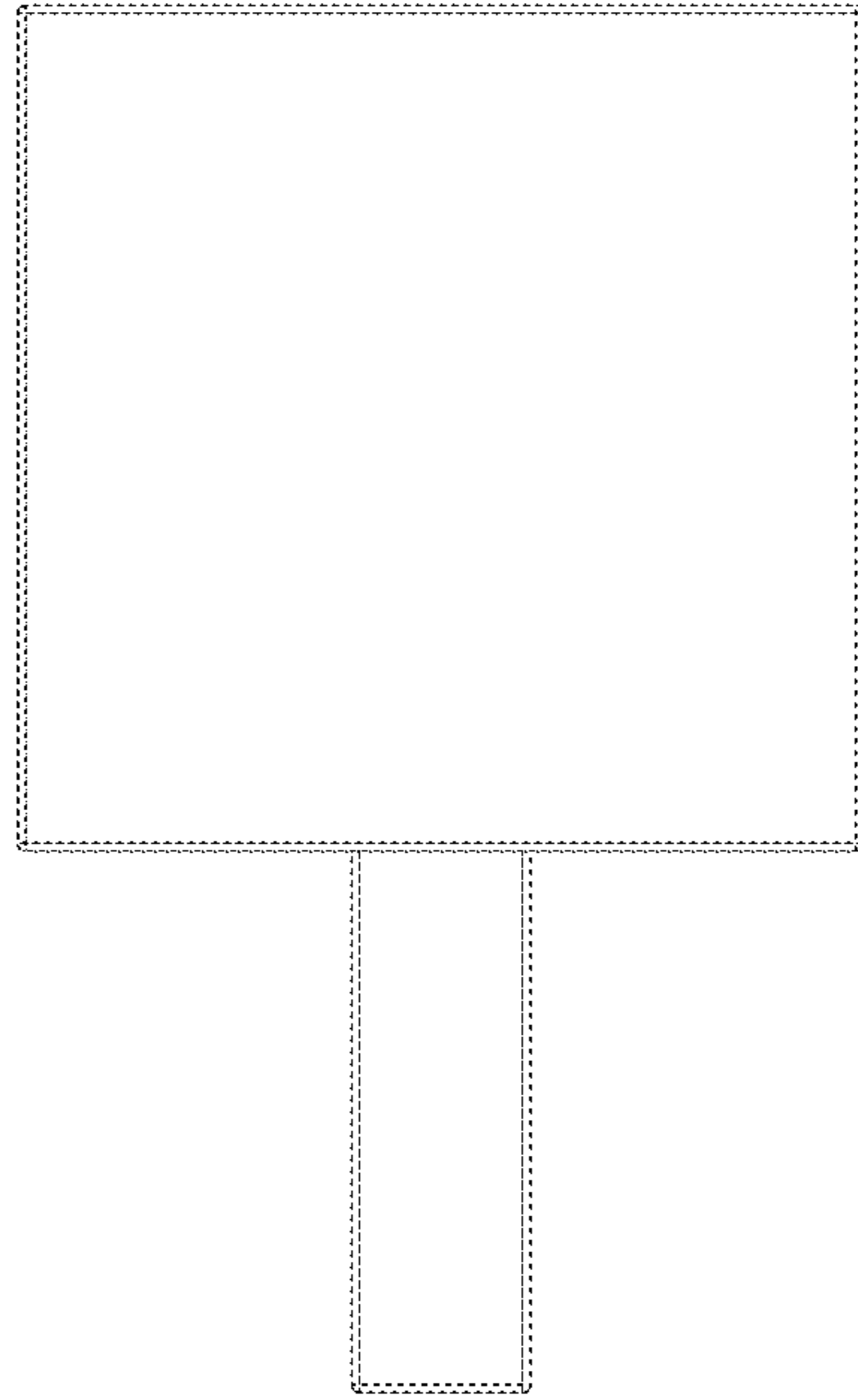


FIG - 8

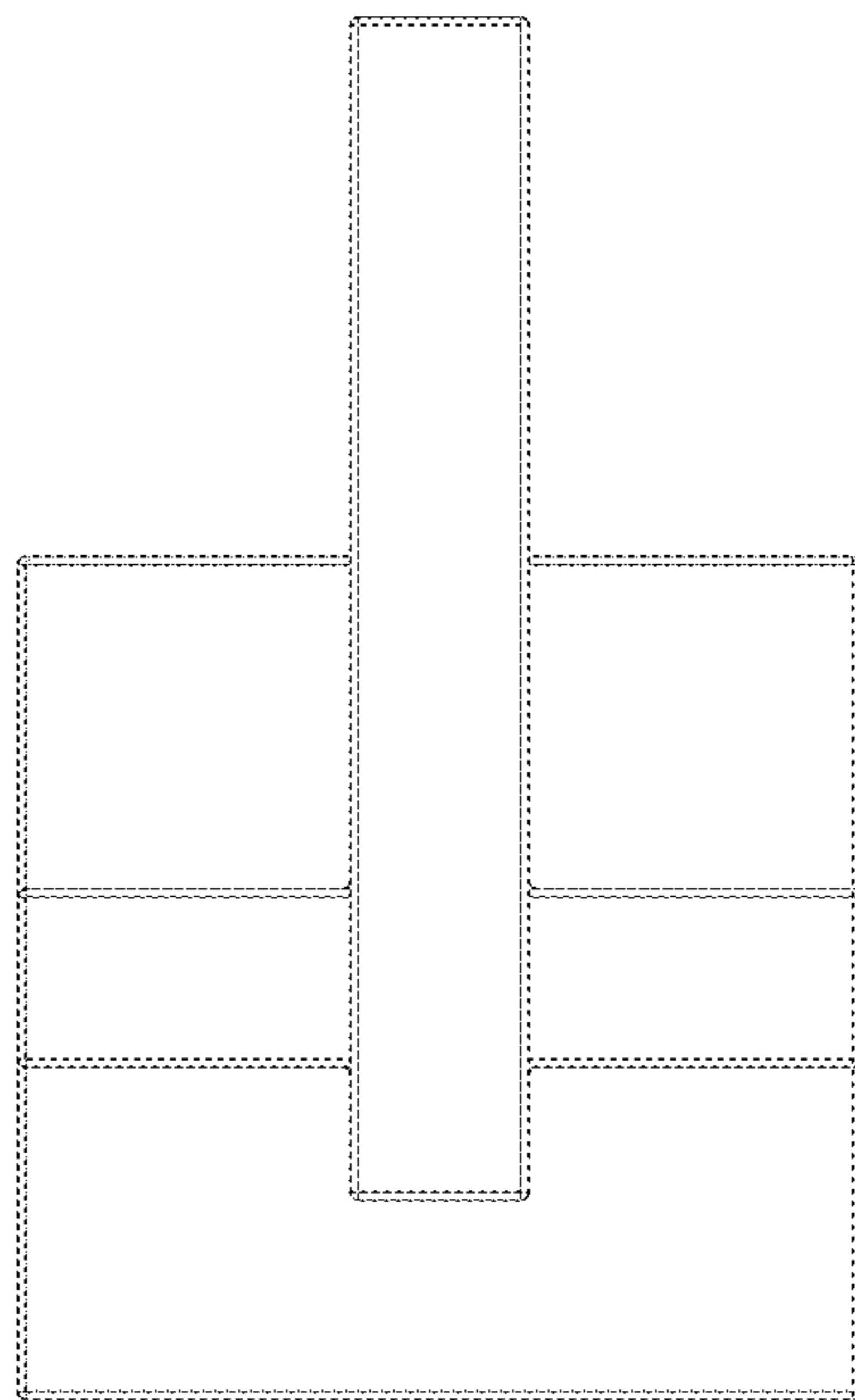


FIG - 7