



US00D956931S

(12) **United States Design Patent** (10) **Patent No.:** **US D956,931 S**
Garland et al. (45) **Date of Patent:** **** Jul. 5, 2022**

(54) **FAUCET**

(71) Applicant: **DELTA FAUCET COMPANY**,
Indianapolis, IN (US)

(72) Inventors: **Celine Kwok Garland**, Zionsville, IN
(US); **Thad Eads**, Urbana, IN (US);
Jordan Bahler, Frankfort, IN (US)

(73) Assignee: **DELTA FAUCET COMPANY**,
Indianapolis, IN (US)

(**) Term: **15 Years**

(21) Appl. No.: **29/767,641**

(22) Filed: **Jan. 25, 2021**

(51) **LOC (13) Cl.** **23-01**

(52) **U.S. Cl.**
USPC **D23/238**

(58) **Field of Classification Search**
USPC D23/238, 239, 240, 241, 242, 243, 246,
D23/247, 248, 249, 250, 251, 252, 254,
D23/255, 256, 257
CPC . E03C 1/01; E03C 1/0409; E03C 1/04; E03C
1/0401; E03C 1/0402; E03C 1/0405;
E03C 1/0408; E03C 1/0412; E03C 1/025;
Y10T 137/5339; Y10T 137/6014; Y10T
137/6021
See application file for complete search history.

D687,126 S * 7/2013 Romero D23/238
D705,903 S * 5/2014 Flowers D23/238
D715,408 S * 10/2014 Georgeson D23/255
D719,644 S * 12/2014 Sedwick D23/255
D729,906 S * 5/2015 Fritz D23/252
D752,717 S * 3/2016 Eads D23/238
D773,613 S * 12/2016 Flowers D23/238
D797,243 S * 9/2017 Zhang D23/238
D823,987 S * 7/2018 Downey D23/238
(Continued)

FOREIGN PATENT DOCUMENTS

CN 201530047258 * 2/2015

OTHER PUBLICATIONS

Amazon, RODDEX Bathroom Sink Faucet, posted Nov. 4, 2020, [online], [visited Mar. 10, 2022]. Internet, <URL: <https://www.amazon.com/RODDEX-Bathroom-Faucet-Assembly-Polished/dp/B08P32MSFL/ref>> (Year: 2020).*

(Continued)

Primary Examiner — Samantha Wood
(74) *Attorney, Agent, or Firm* — Nirav D. Parikh; Edgar A. Zarins

(57) **CLAIM**

The ornamental design for a faucet, as shown and described.

DESCRIPTION

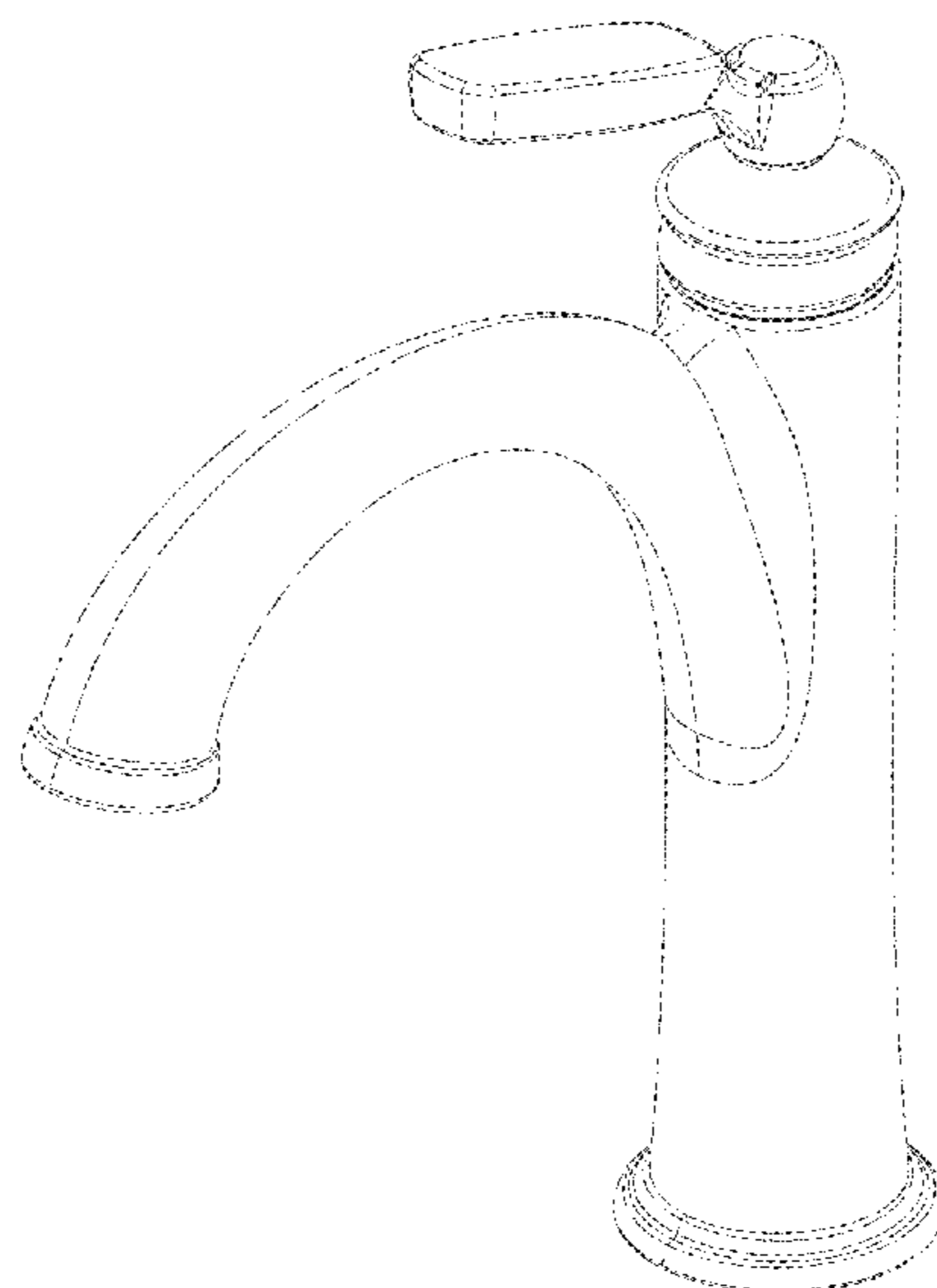
FIG. 1 is a first perspective view of a faucet showing our new design;
FIG. 2 is a second perspective view thereof;
FIG. 3 is a first side view thereof;
FIG. 4 is a first end view thereof;
FIG. 5 is a second side view thereof;
FIG. 6 is a second end view thereof;
FIG. 7 is a top plan view thereof; and,
FIG. 8 is a bottom view thereof.

1 Claim, 4 Drawing Sheets

(56) **References Cited**

U.S. PATENT DOCUMENTS

D407,143 S * 3/1999 Hyde D23/252
D409,726 S * 5/1999 Formgren D23/238
D476,396 S * 6/2003 Hanna D23/238
D538,891 S * 3/2007 Gilbert D23/255
D582,012 S * 12/2008 Chang D23/252
D602,122 S * 10/2009 Corbett D23/238
D602,569 S * 10/2009 Fakonas D23/238
D636,461 S * 4/2011 Romero D23/238
D686,299 S * 7/2013 Flowers D23/238



(56)

References Cited

U.S. PATENT DOCUMENTS

D840,506 S *	2/2019	Garland	D23/238
D896,347 S *	9/2020	Lazarini	D23/238
D914,142 S *	3/2021	Zhu	D23/238
D925,004 S *	7/2021	Zhen	D23/238
D928,918 S *	8/2021	Lazarini	D23/238
2010/0155505 A1 *	6/2010	Lopp	E03C 1/084 137/801

OTHER PUBLICATIONS

Amazon, Moen Halle 84970SRN Bathroom Faucet, posted Jun. 23, 2019, [online], [visited Mar. 10, 2022]. Internet, <URL: <https://www.amazon.com/dp/B07TBXBR4Y/ref>> (Year: 2019).*

Amazon, BATHLAVISH Bathroom Sink Faucet, posted Feb. 25, 2021, [online], [visited Mar. 10, 2022]. Internet, <URL: <https://www.amazon.com/BATHLAVISH-Bathroom-Overflow-Commercial-Lead-Free/dp/B08X6SQQHR/ref?th=1>> (Year: 2021).*

* cited by examiner

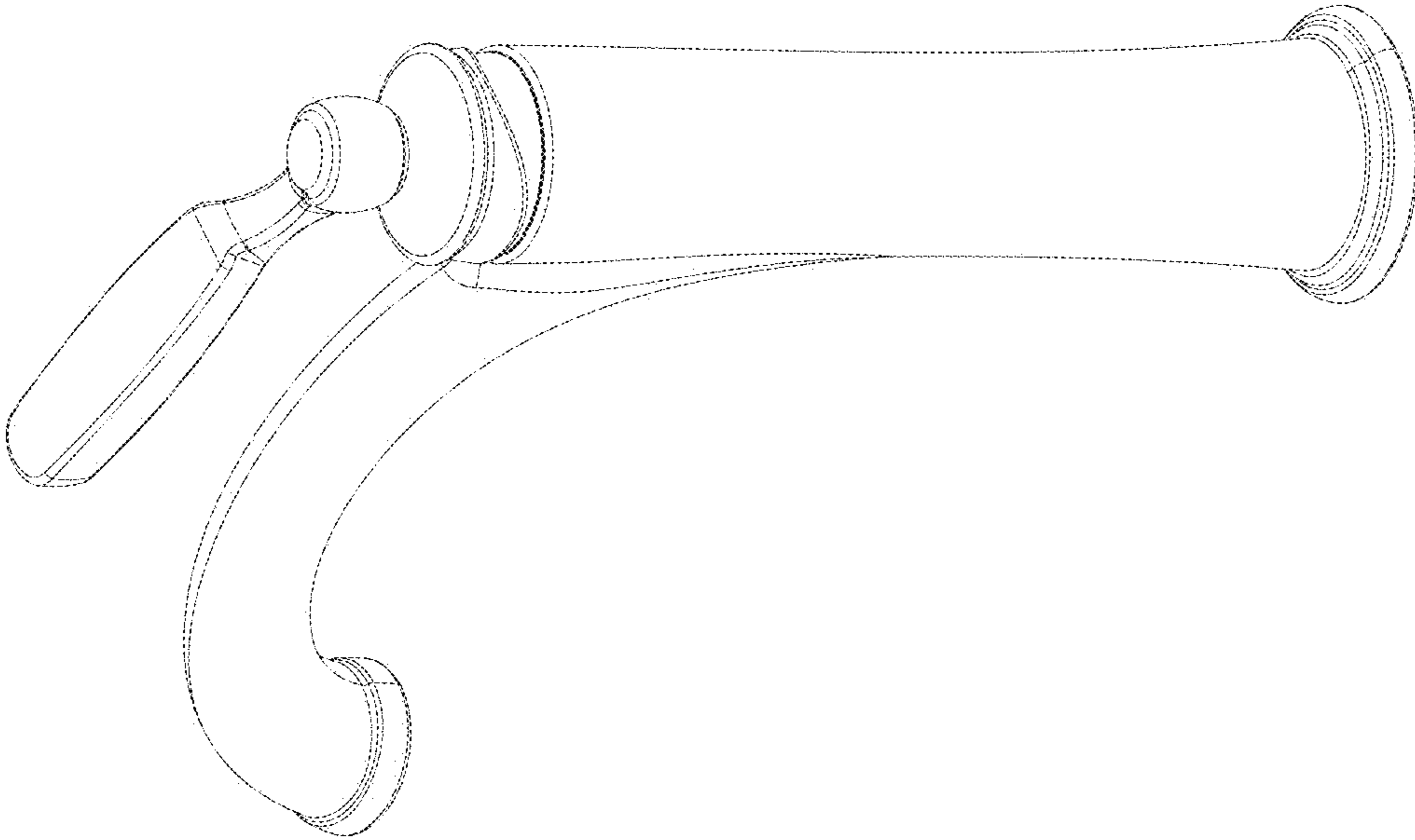


FIG - 2

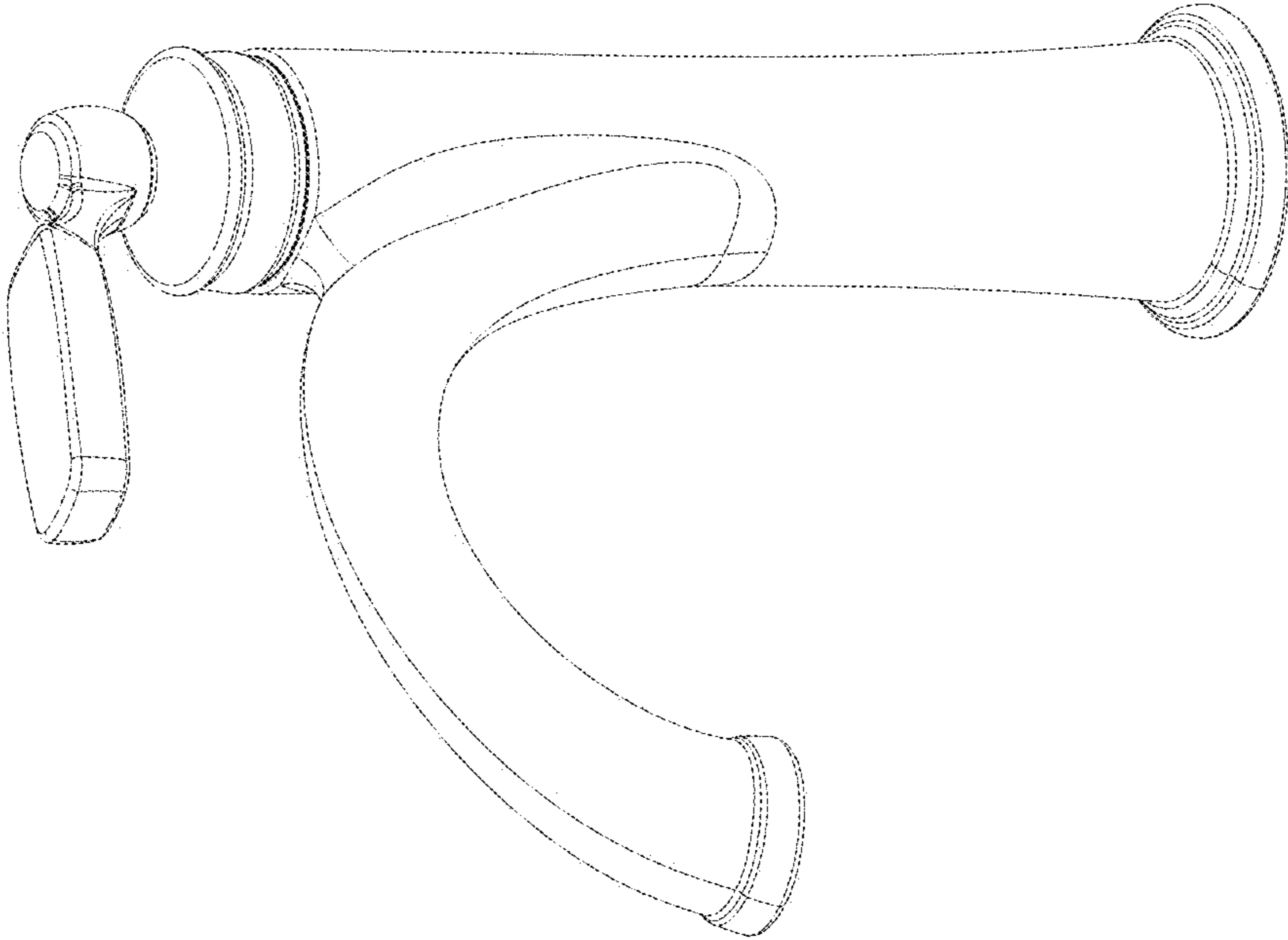


FIG - 1

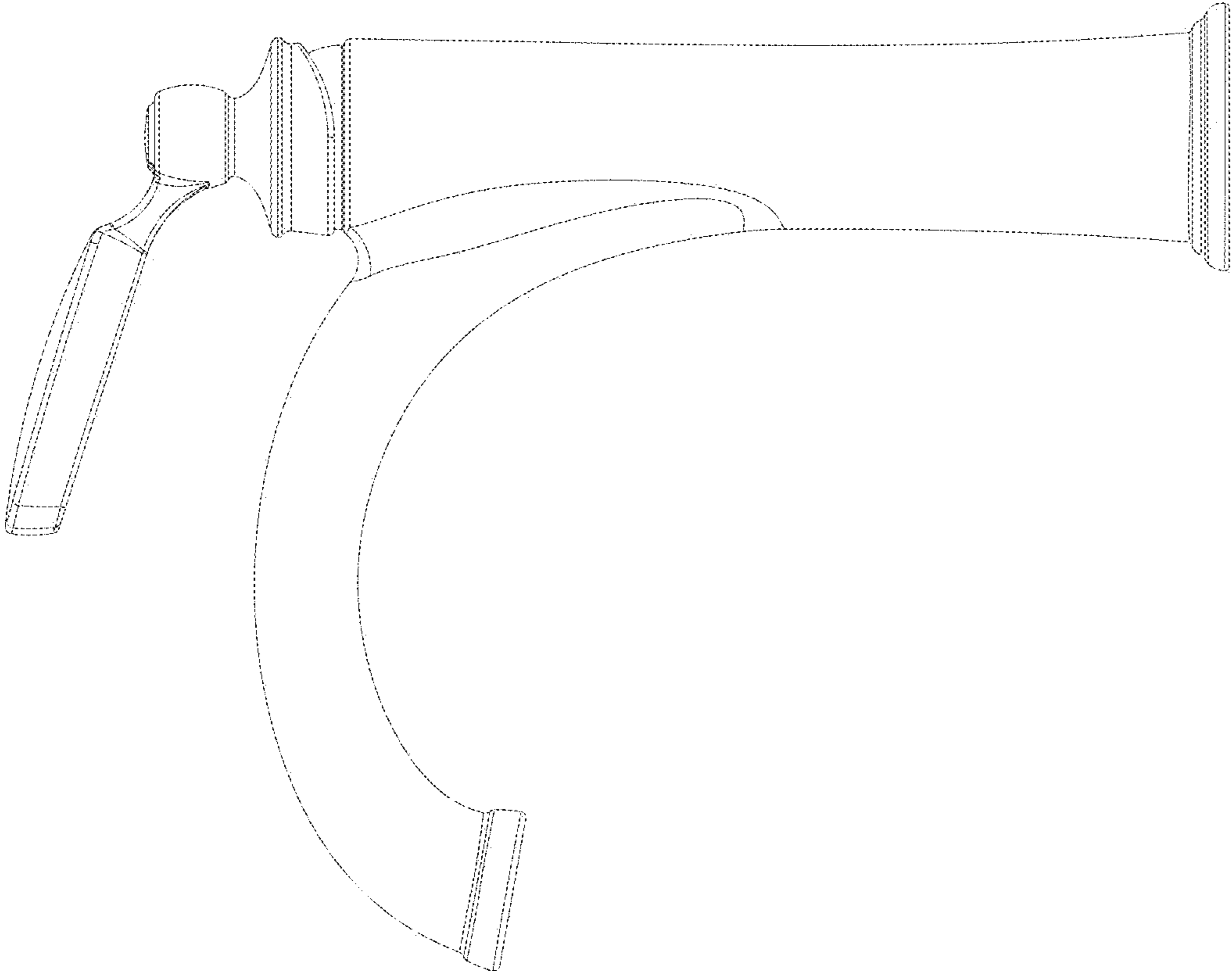


FIG - 4

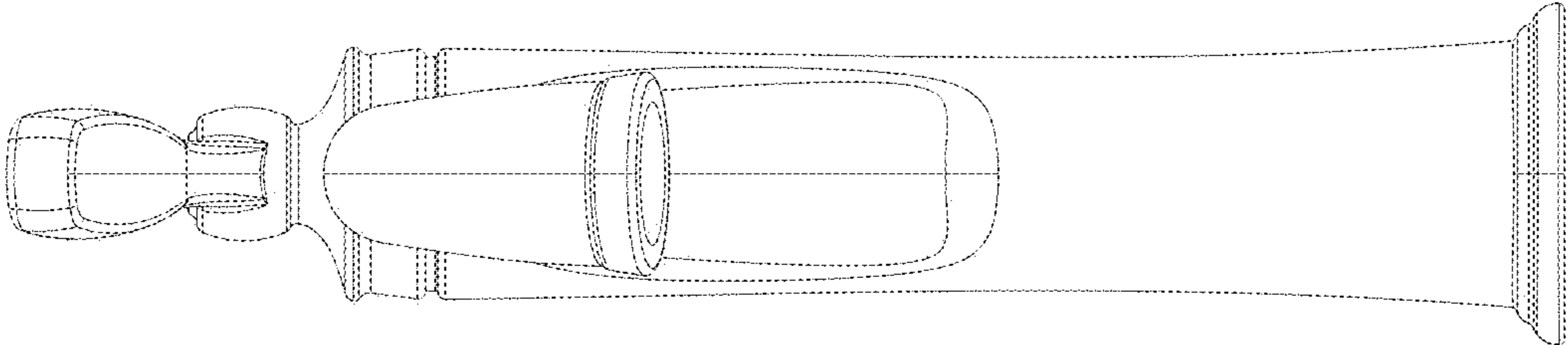


FIG - 3

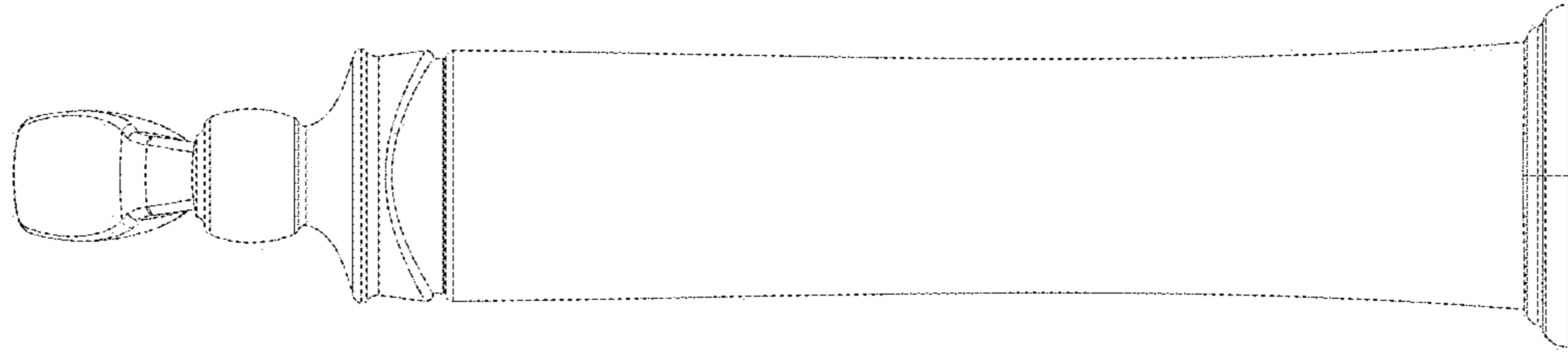


FIG - 6

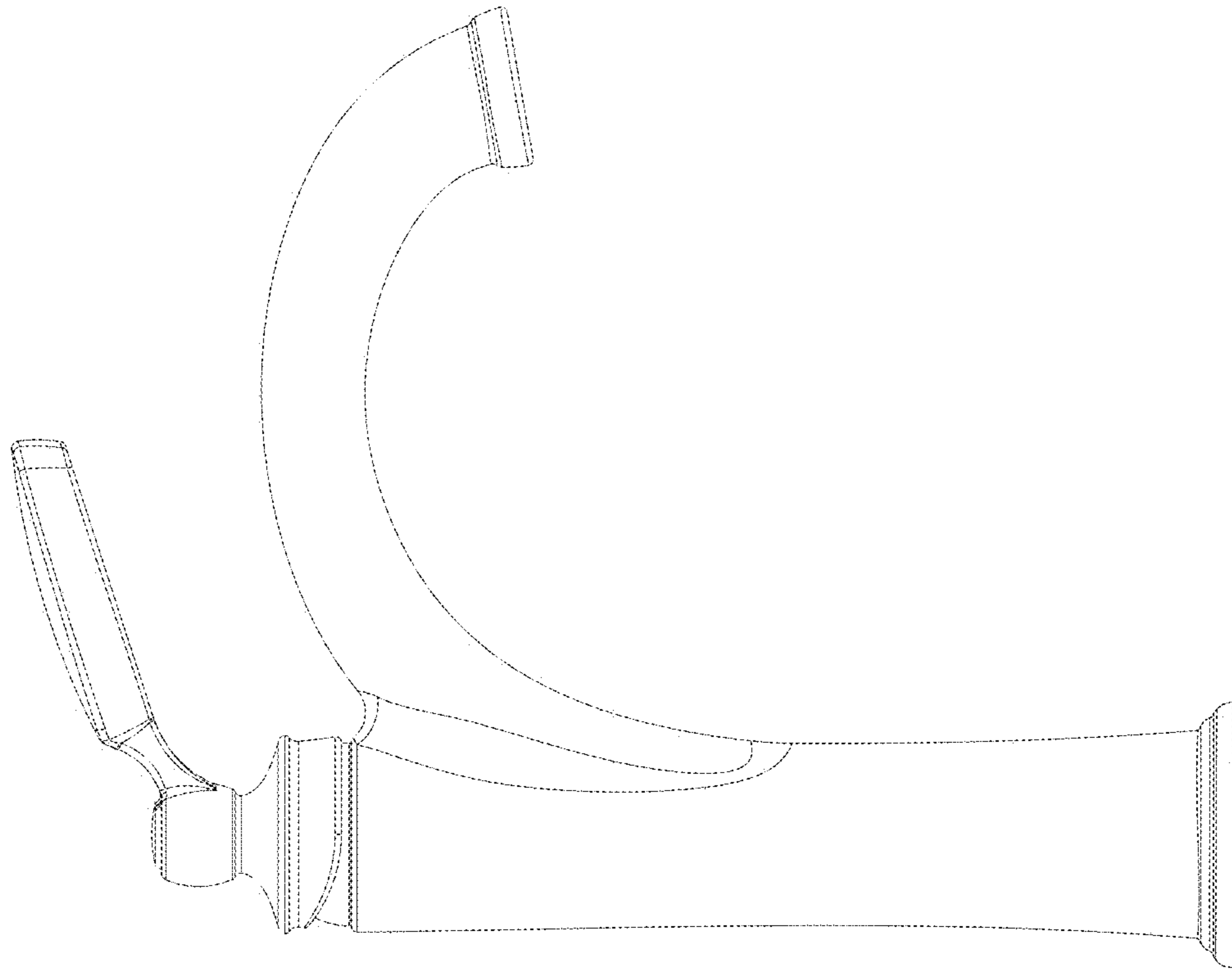


FIG - 5

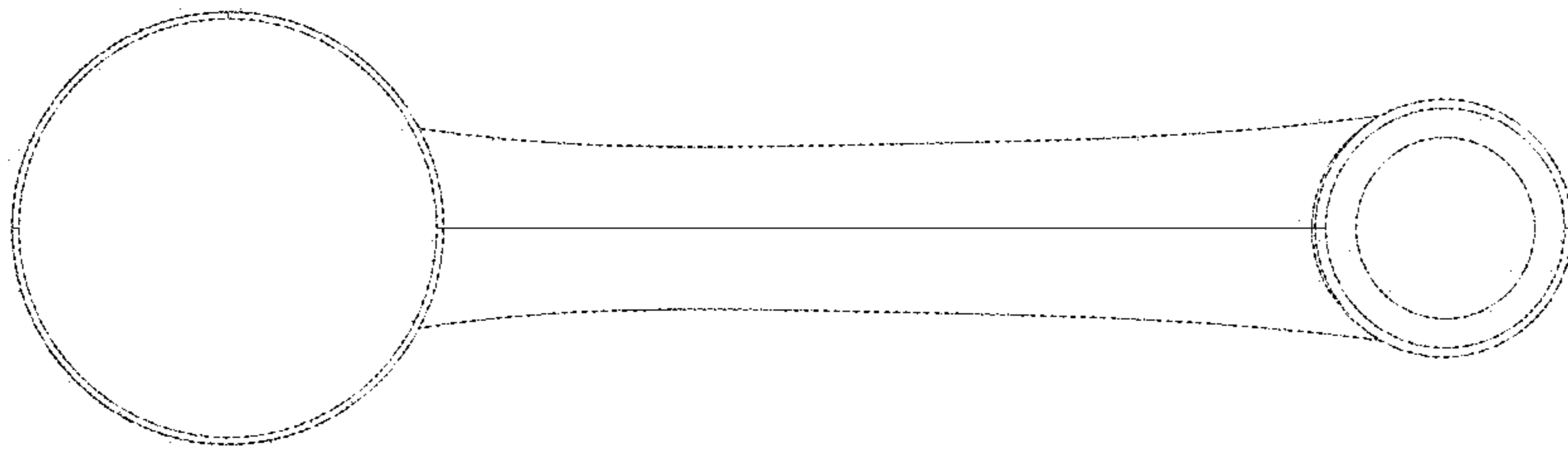


FIG - 8

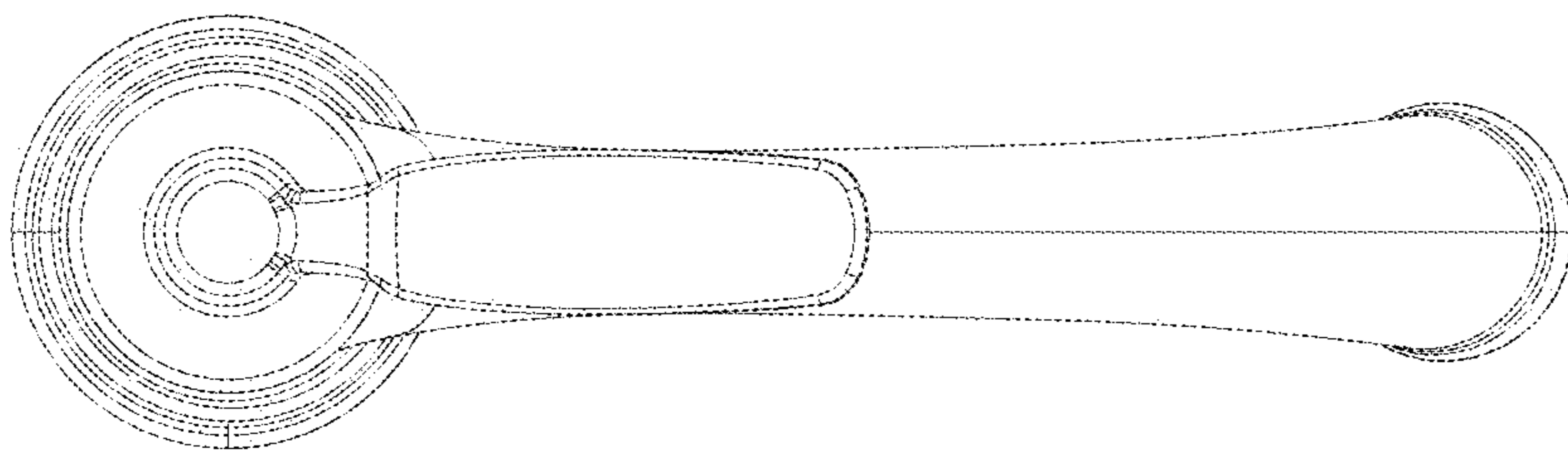


FIG - 7