



US00D956930S

(12) **United States Design Patent** (10) **Patent No.:** **US D956,930 S**
Spangler et al. (45) **Date of Patent:** **** Jul. 5, 2022**

(54) **FAUCET**
(71) Applicant: **DELTA FAUCET COMPANY**,
Indianapolis, IN (US)
(72) Inventors: **Anthony G. Spangler**, Indianapolis, IN
(US); **Benjamin David Stoler**, Carmel,
IN (US)
(73) Assignee: **DELTA FAUCET COMPANY**,
Indianapolis, IN (US)
(**) Term: **15 Years**

D685,878 S * 7/2013 Fritz D23/238
D737,937 S * 9/2015 Flowers D23/238
D820,399 S * 6/2018 Garland D23/238
D828,510 S * 9/2018 Zeisel D23/238
D830,518 S * 10/2018 Zeisel D23/238
D856,492 S * 8/2019 Spangler D23/257
D857,166 S * 8/2019 Spangler D23/238
D857,176 S * 8/2019 Spangler D23/255
D867,522 S * 11/2019 Tentler D23/213
D867,532 S * 11/2019 Liao D23/238
D881,353 S * 4/2020 Lazarini D23/255
D891,585 S * 7/2020 Spangler D23/242
D902,357 S * 11/2020 Eads D23/255
D914,844 S * 3/2021 Eads D23/238

(Continued)

(21) Appl. No.: **29/762,585**
(22) Filed: **Dec. 17, 2020**
(51) **LOC (13) Cl.** **23-01**
(52) **U.S. Cl.**
USPC **D23/238**
(58) **Field of Classification Search**
USPC D23/238, 239, 240, 241, 242, 243, 244,
D23/245, 246, 247, 248, 249, 250, 251,
D23/252, 255
CPC Y10T 137/9464; E03C 1/00; E03C 1/02;
E03C 1/04; E03C 1/042; E03C 1/044;
E03C 1/0402; E03C 1/0403; E03C
1/0405; E03C 1/0412
See application file for complete search history.

FOREIGN PATENT DOCUMENTS

CN 200930330587 * 12/2009
CN 201330364694 * 7/2013
WO WO-D076370-001 * 3/2011

Primary Examiner — Samantha Wood

(74) Attorney, Agent, or Firm — Nirav D. Parikh; Edgar
A. Zarins

(57) **CLAIM**

The ornamental design for a faucet, as shown and described.

DESCRIPTION

FIG. 1 is a front perspective view of a faucet showing my
new design;

FIG. 2 is a rear perspective view thereof;

FIG. 3 is a front elevational view thereof;

FIG. 4 is a left side view thereof;

FIG. 5 is a rear view thereof;

FIG. 6 is a right side view thereof;

FIG. 7 is a top plan view thereof; and,

FIG. 8 is a bottom view thereof.

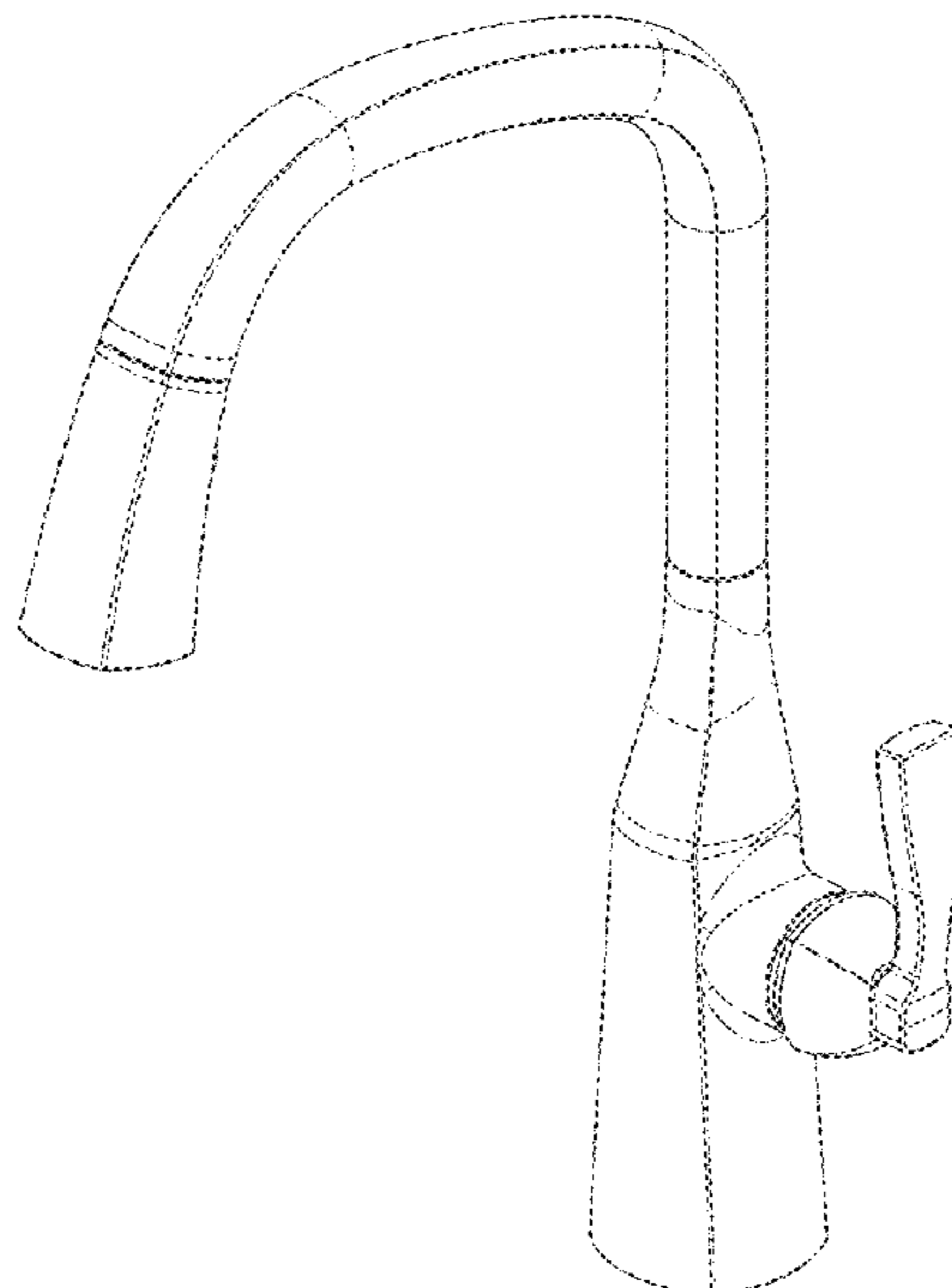
The broken lines depict portions of the faucet that forms no
part of the claimed design.

(56) **References Cited**

U.S. PATENT DOCUMENTS

D416,989 S * 11/1999 Lord D23/255
D534,245 S * 12/2006 Egli D23/238
D540,911 S * 4/2007 Citterio D23/238
D587,786 S * 3/2009 Williams D23/252
D589,120 S * 3/2009 Tsai D23/238
D615,160 S * 5/2010 Bouroullec D23/238
D621,005 S * 8/2010 Bouroullec D23/238
D636,064 S * 4/2011 Schoenherr D23/255

1 Claim, 4 Drawing Sheets



(56)

References Cited

U.S. PATENT DOCUMENTS

D919,767 S *	5/2021	Stoler	D23/255
2009/0200794 A1 *	8/2009	Esche	E03C 1/0404
			285/148.6

* cited by examiner

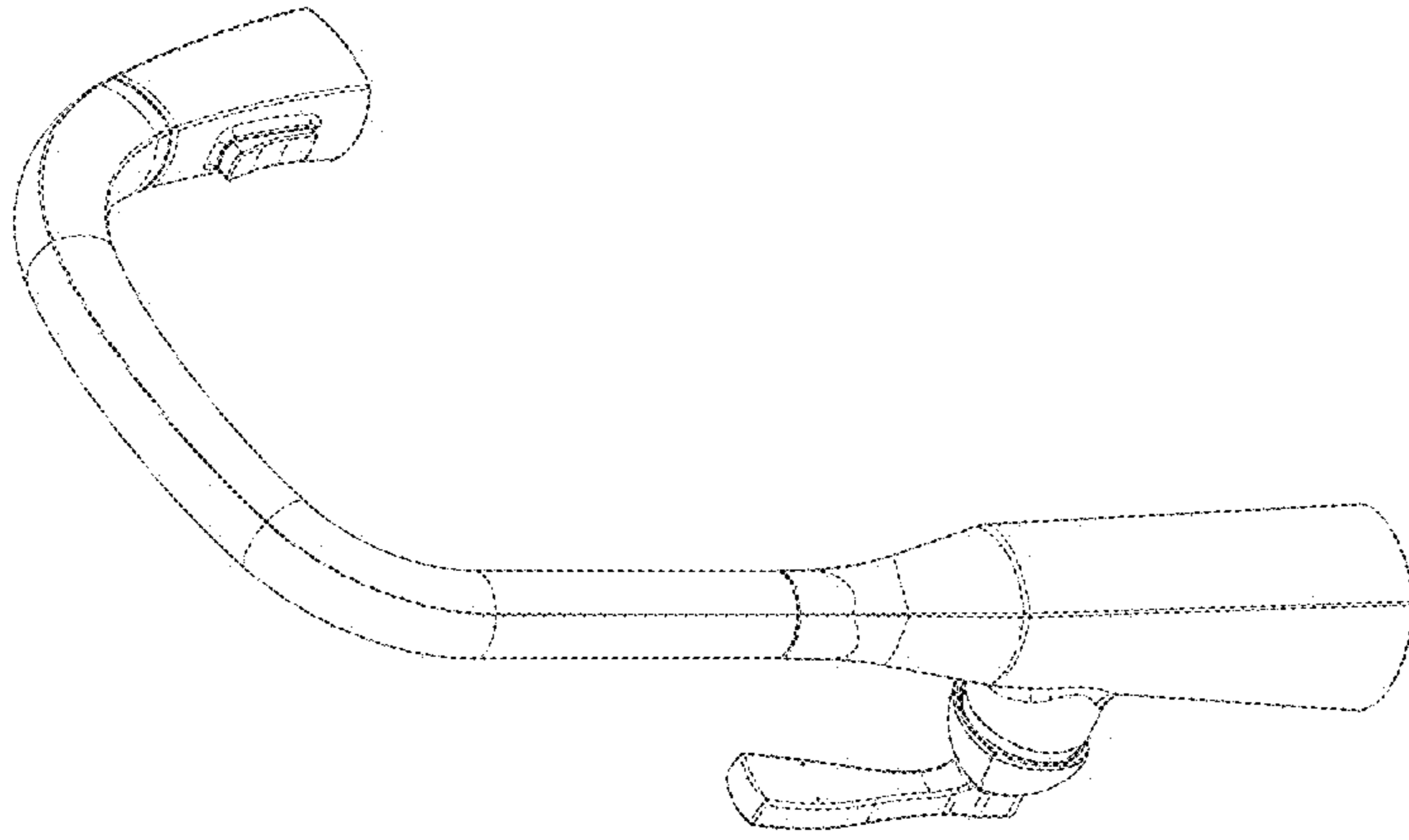


FIG - 2

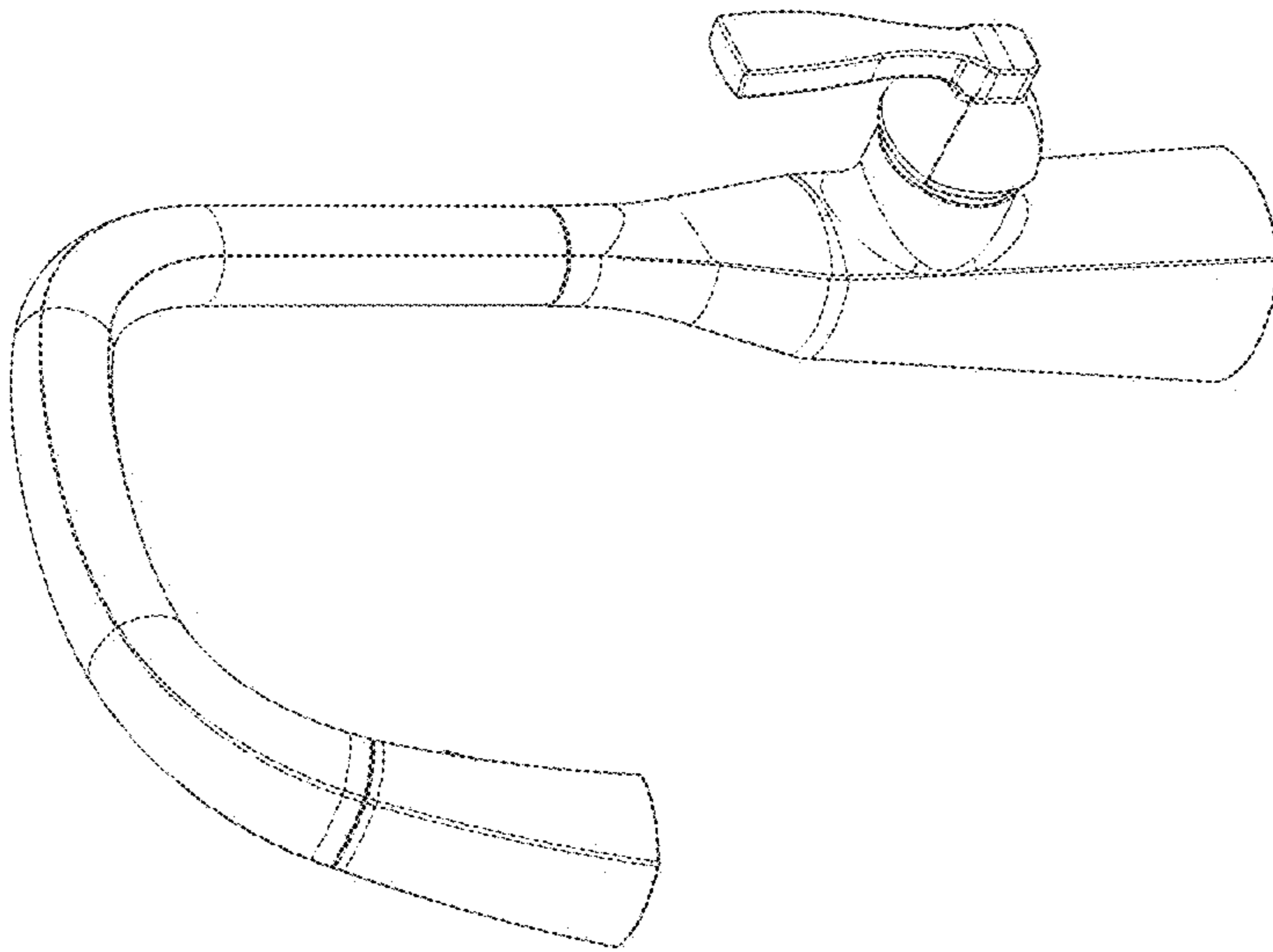


FIG - 1

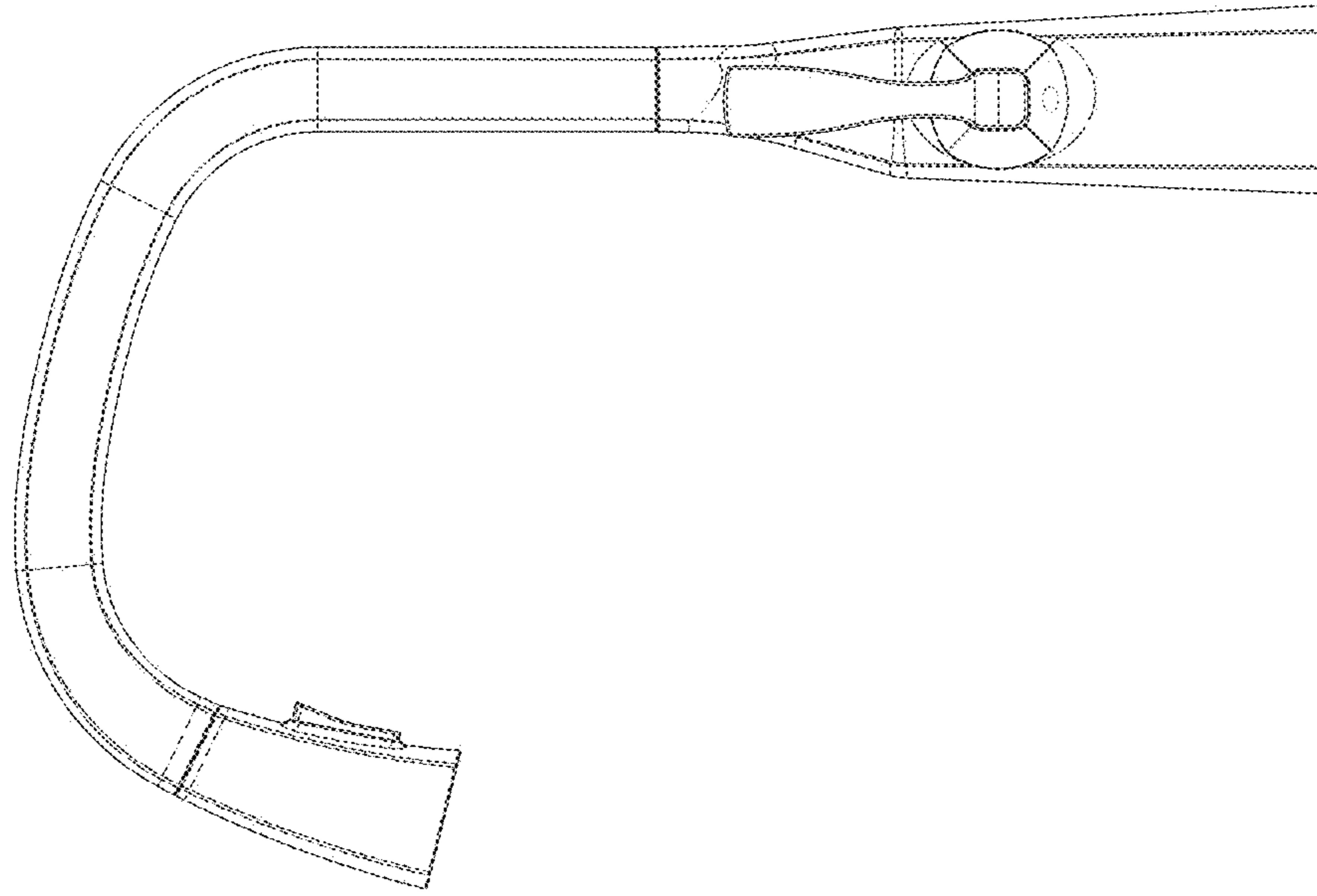


FIG - 4

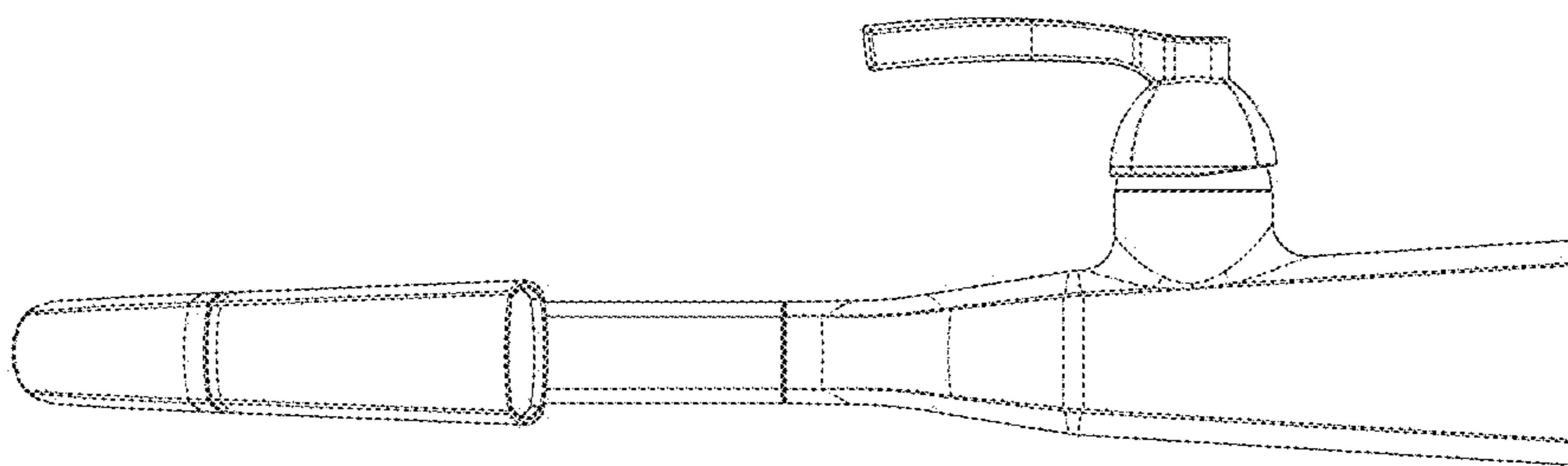


FIG - 3

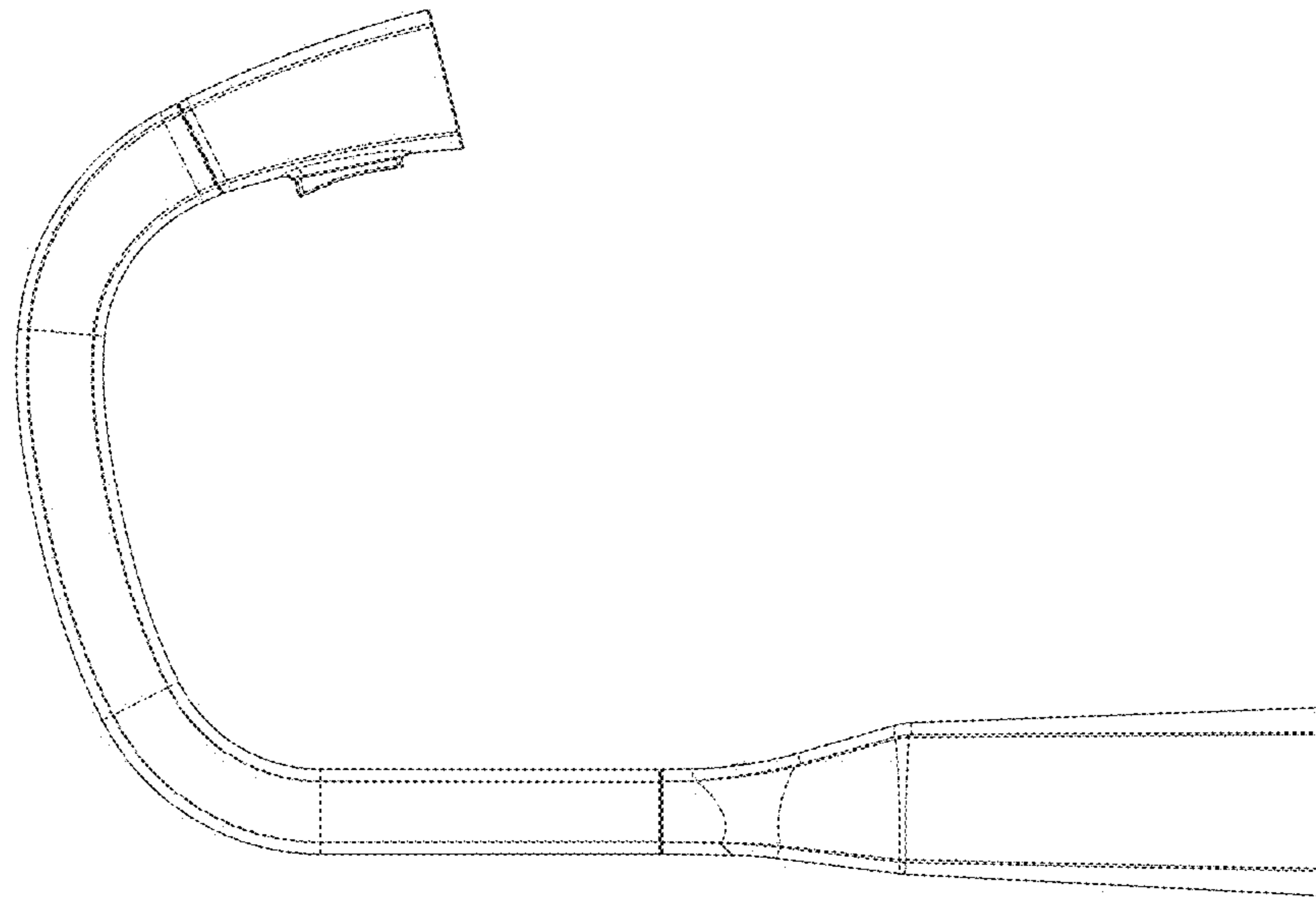


FIG - 6

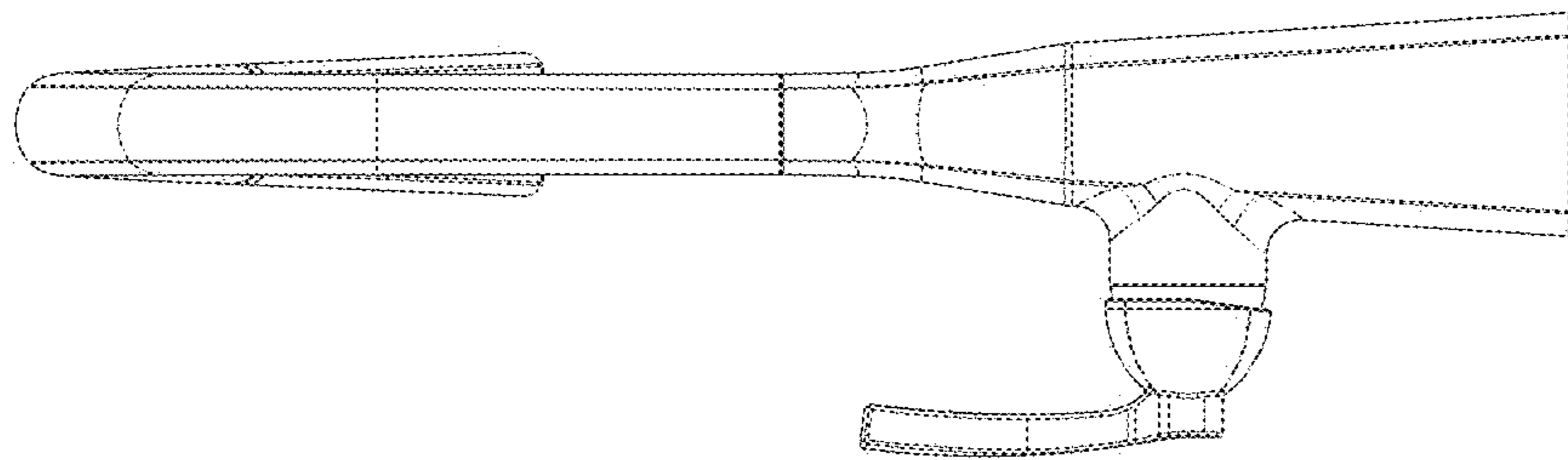


FIG - 5

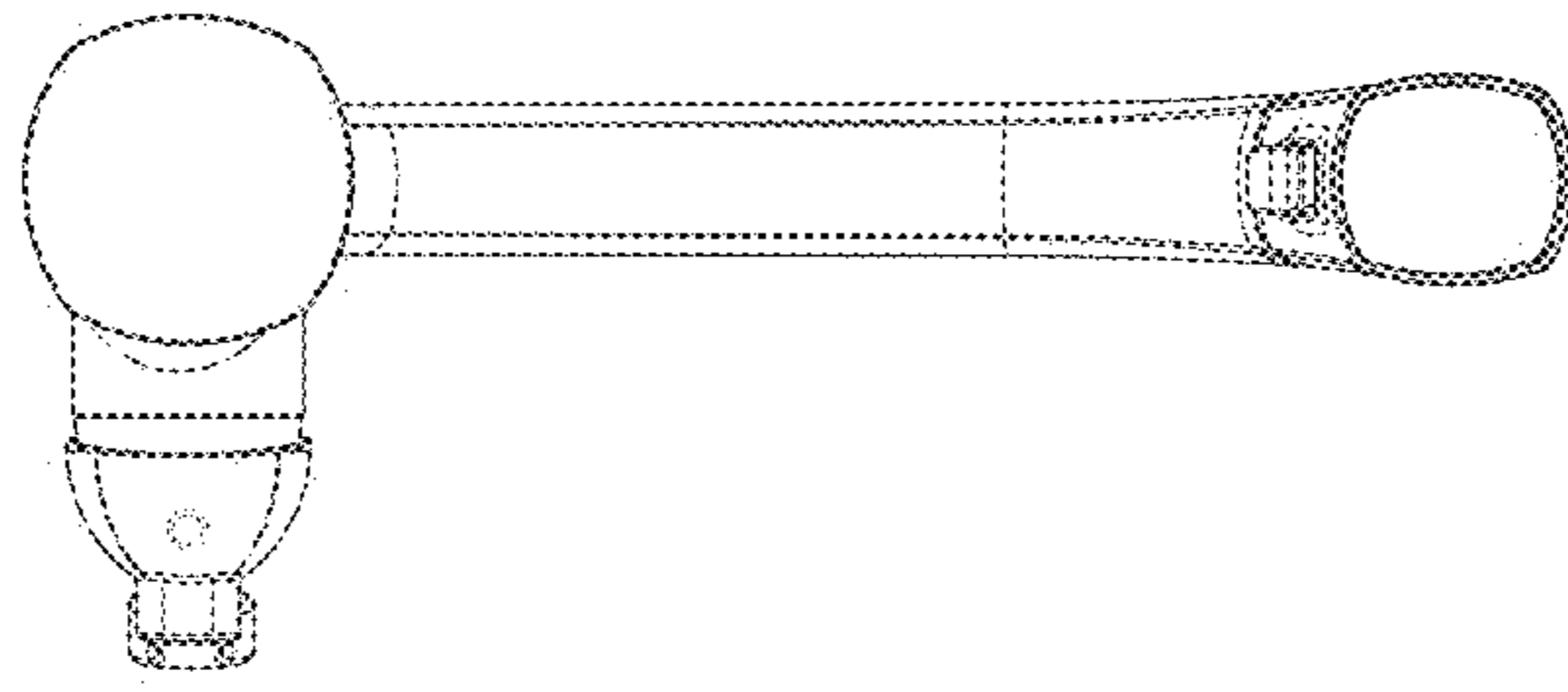


FIG - 8

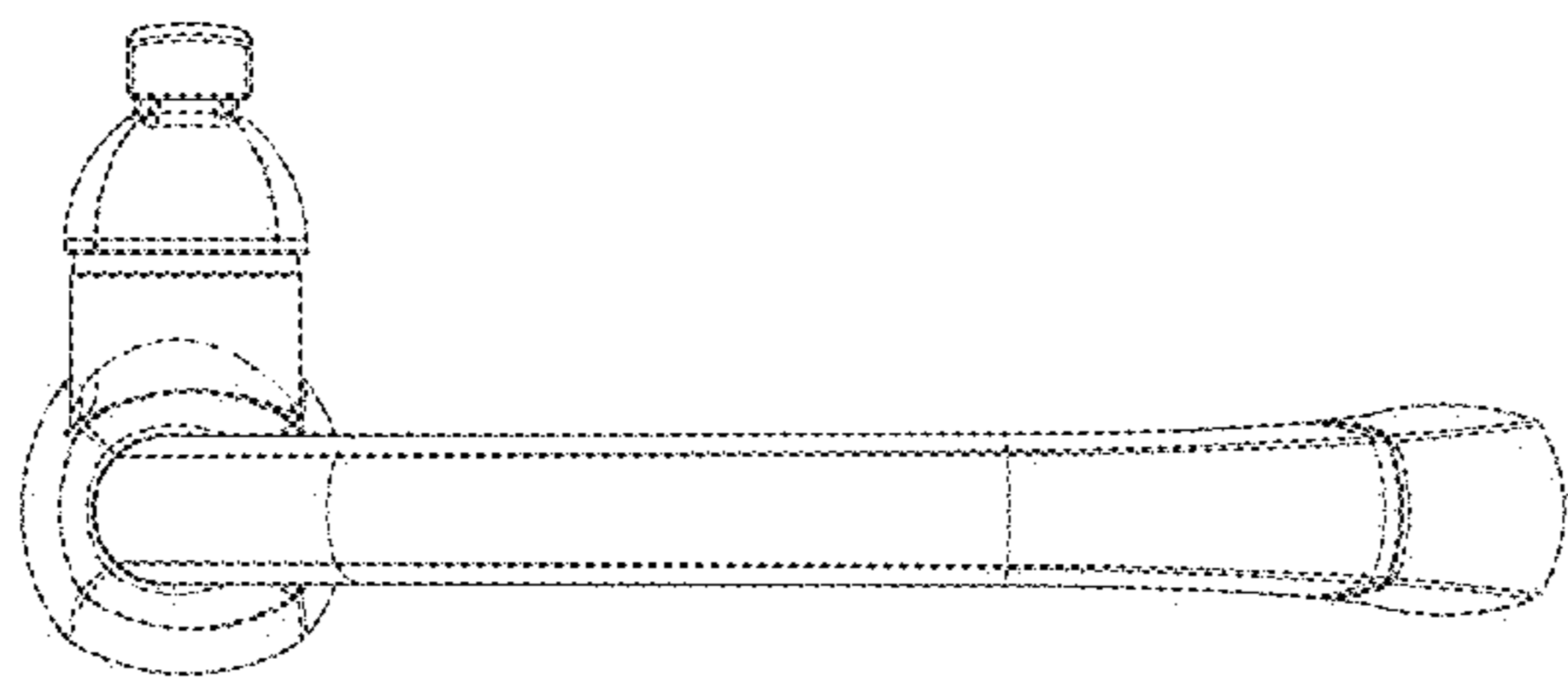


FIG - 7