



US00D956929S

(12) **United States Design Patent** (10) **Patent No.:** **US D956,929 S**
Elser (45) **Date of Patent:** **** Jul. 5, 2022**

(54) **FAUCET BODY**

FOREIGN PATENT DOCUMENTS

(71) Applicant: **DELTA FAUCET COMPANY,**
Indianapolis, IN (US)

CN 304500223 * 8/2017

(72) Inventor: **Simon Elser,** Indianapolis, IN (US)

OTHER PUBLICATIONS

(73) Assignee: **DELTA FAUCET COMPANY,**
Indianapolis, IN (US)

American Standard 7074300.002 Colony Pro Single-Handle Kitchen Faucet, announced Feb. 23, 2017[online], [site visited Jul. 28, 2021]. Available from internet, URL:<<https://www.amazon.com/American-Standard-7074300-002-Single-Handle-Pull-Down/dp/B06XBS4PMJ>> (Year: 2017).*

(**) Term: **15 Years**

(21) Appl. No.: **29/723,800**

* cited by examiner

(22) Filed: **Feb. 11, 2020**

Primary Examiner — Barbara Fox

(51) **LOC (13) Cl.** **23-01**

Assistant Examiner — Jamaal Rasheed

(52) **U.S. Cl.**
USPC **D23/238; D23/257**

(74) *Attorney, Agent, or Firm* — Nirav D. Parikh; Edgar A. Zarins

(58) **Field of Classification Search**
USPC D23/238–243, 249, 255, 257
CPC E03C 1/0401; E03C 1/0402; E03C 1/0404;
E03C 1/0405; E03C 1/0412
See application file for complete search history.

(57) **CLAIM**

The ornamental design for a faucet body, as shown and described.

(56) **References Cited**

DESCRIPTION

U.S. PATENT DOCUMENTS

D761,392 S *	7/2016	Hanna	D23/255
10,234,049 B1 *	3/2019	He	E03C 1/0403
D870,853 S *	12/2019	Garland	D23/238
D871,558 S *	12/2019	Eads	D23/257
D873,385 S *	1/2020	Tentler	D23/257
D876,588 S *	2/2020	Garland	D23/238
D877,297 S *	3/2020	Tentler	D23/238
D883,434 S *	5/2020	Lu	D23/238
D883,435 S *	5/2020	Lu	D23/238
D914,155 S *	3/2021	Zhu	D23/249
D923,147 S *	6/2021	Zhen	D23/238
D924,362 S *	7/2021	Zhu	D23/238
D924,363 S *	7/2021	Zhu	D23/238

FIG. 1 is a front perspective view of a faucet body showing my new design;

FIG. 2 is rear perspective view thereof;

FIG. 3 is a front elevational view thereof;

FIG. 4 is a left side view thereof;

FIG. 5 is a rear view thereof;

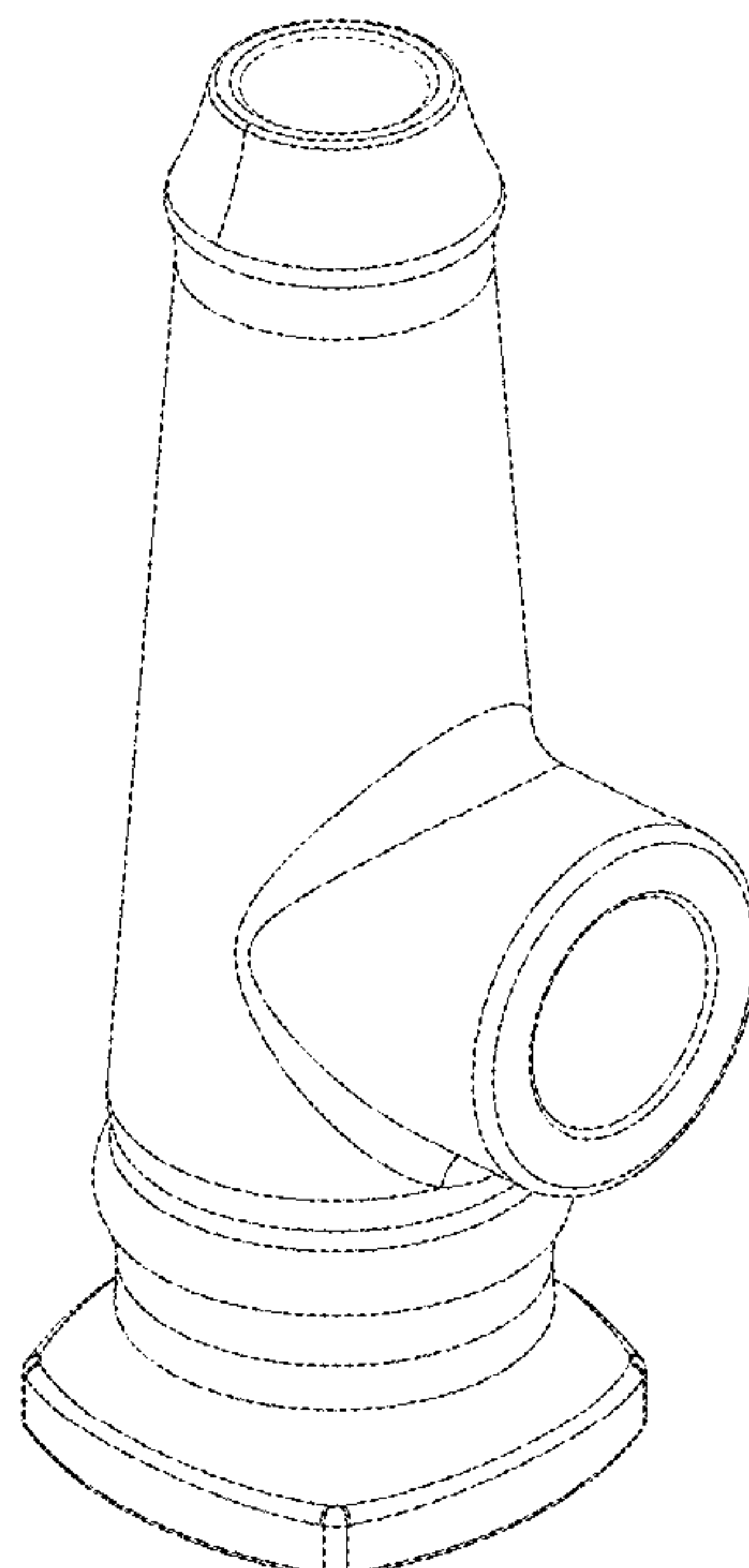
FIG. 6 is a right side view thereof;

FIG. 7 is a top plan view thereof; and,

FIG. 8 is a bottom view thereof.

The broken lines depict portions of the faucet body that form no part of the claimed design.

1 Claim, 4 Drawing Sheets



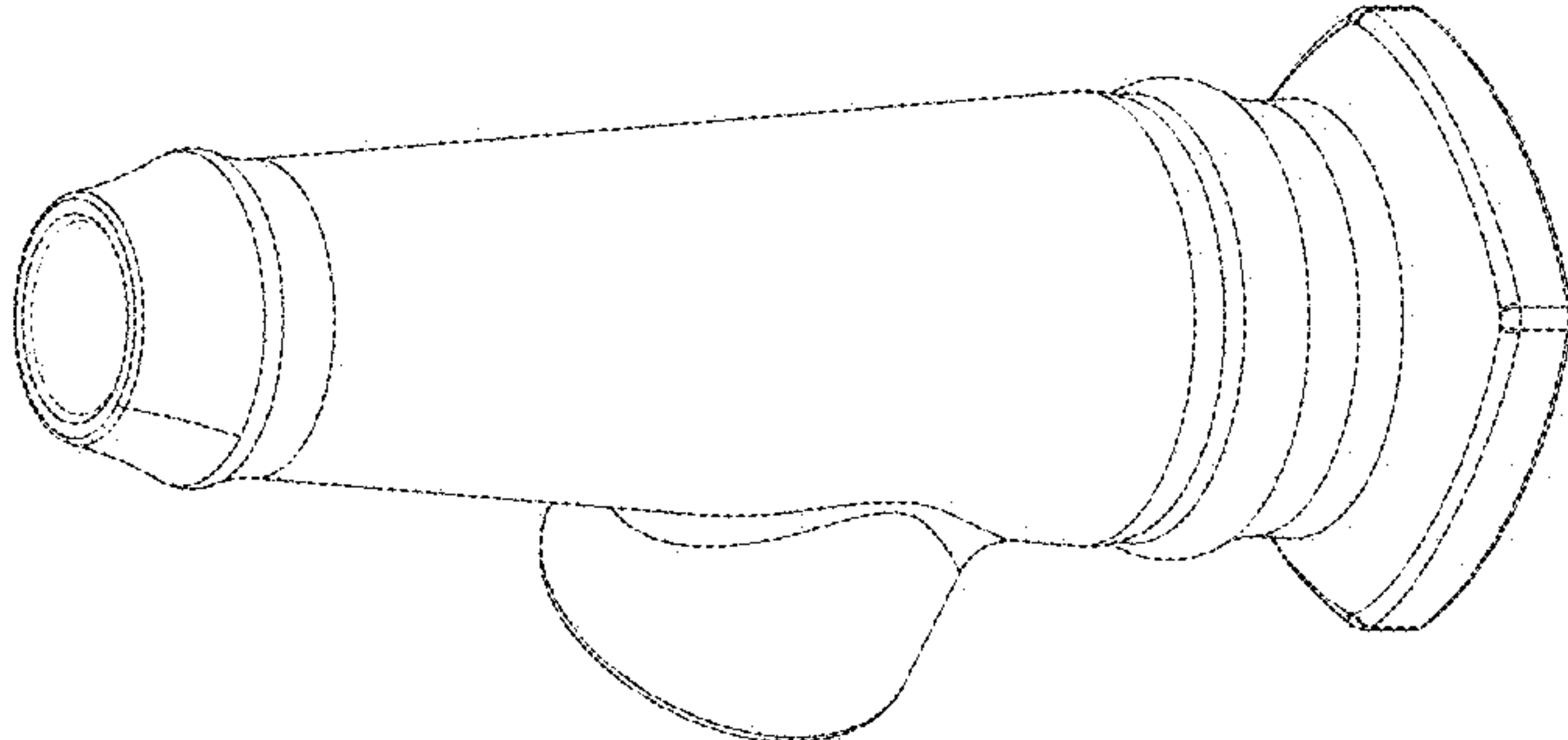


Fig. 2

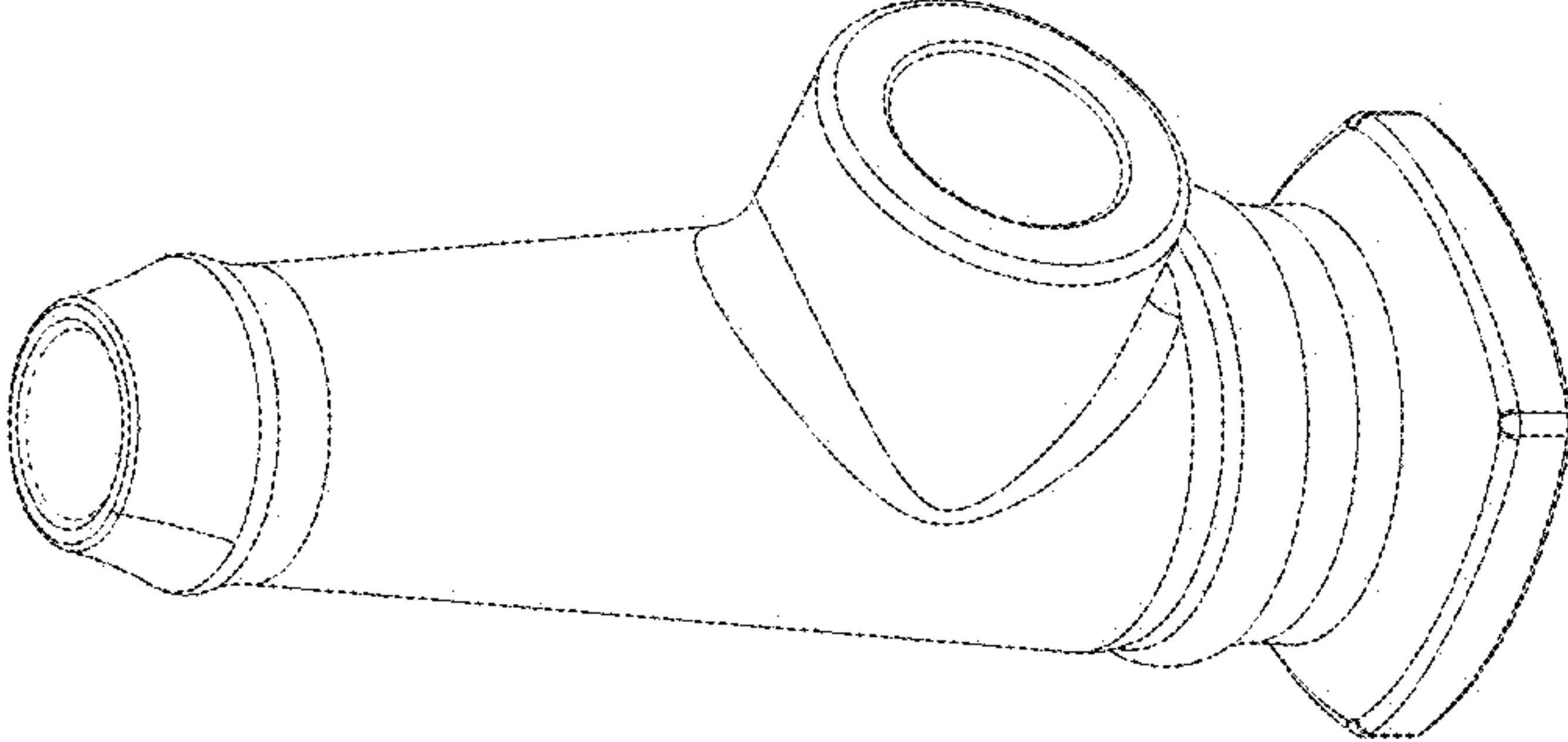


Fig. 1

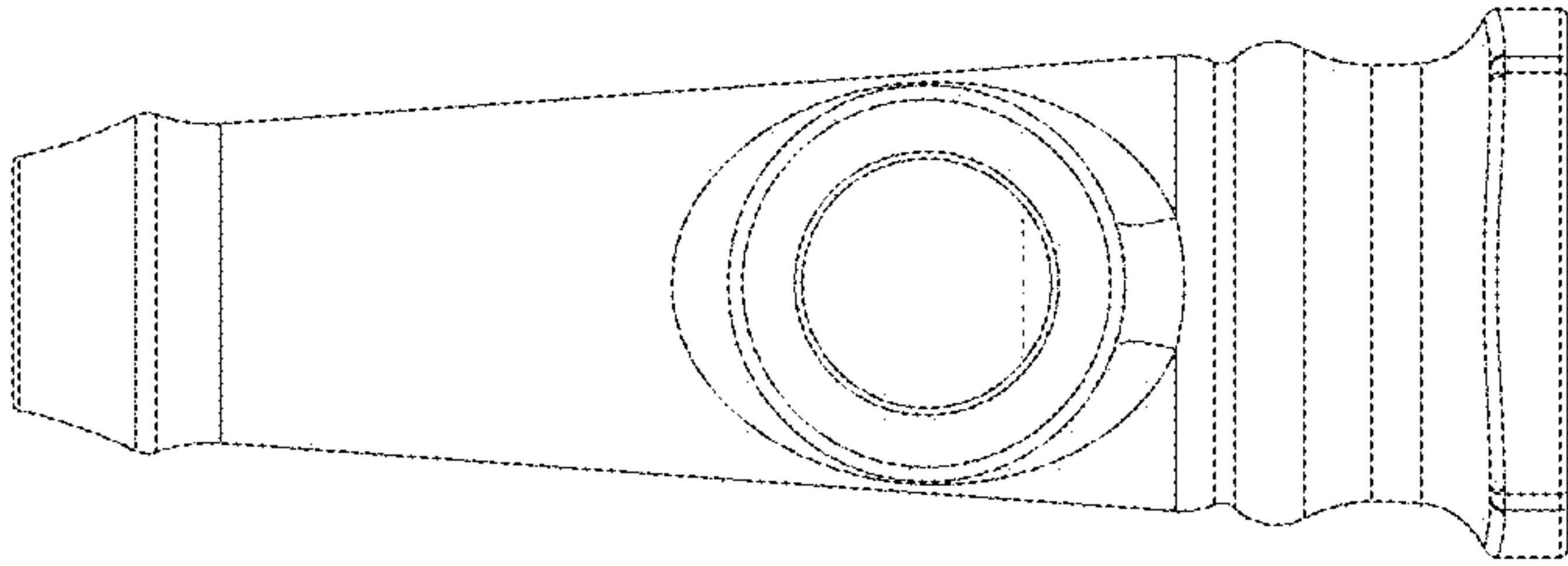


Fig. 4

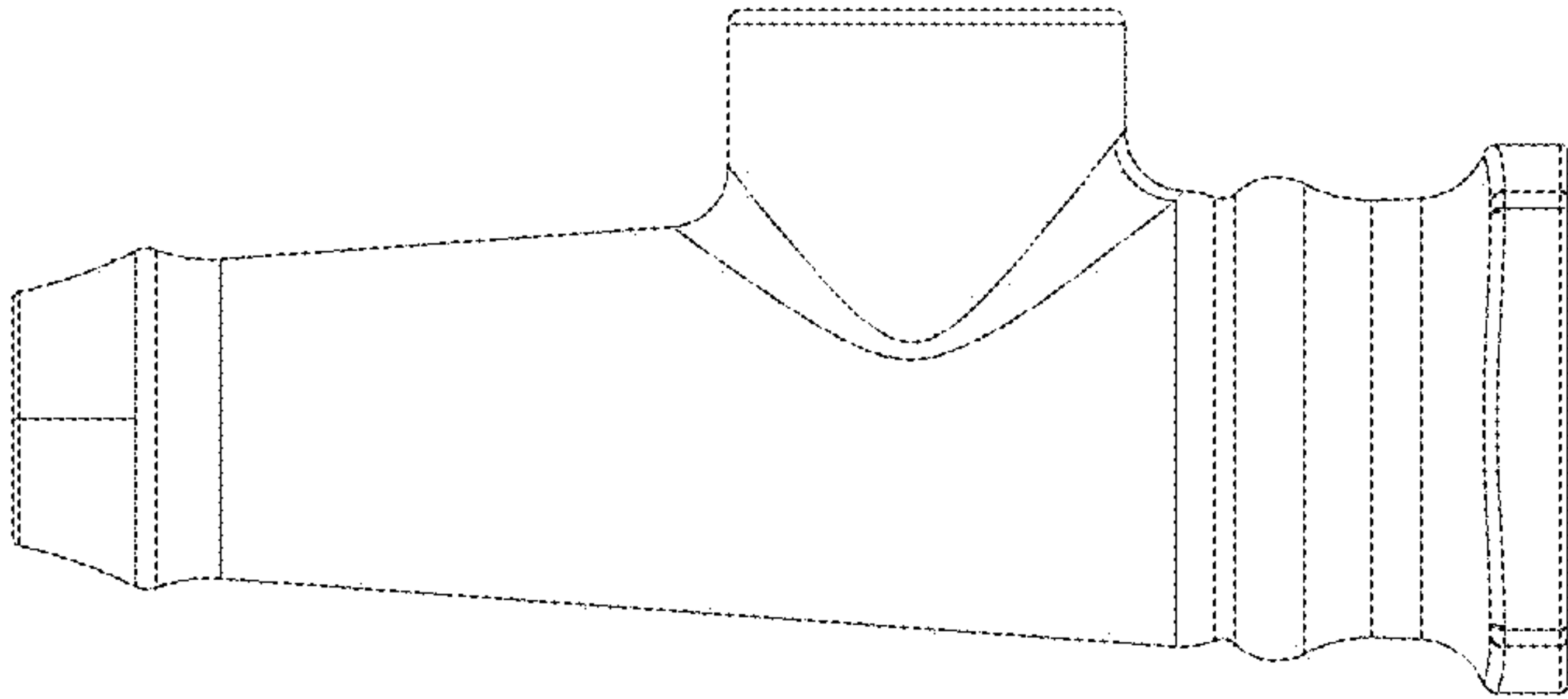


Fig. 3

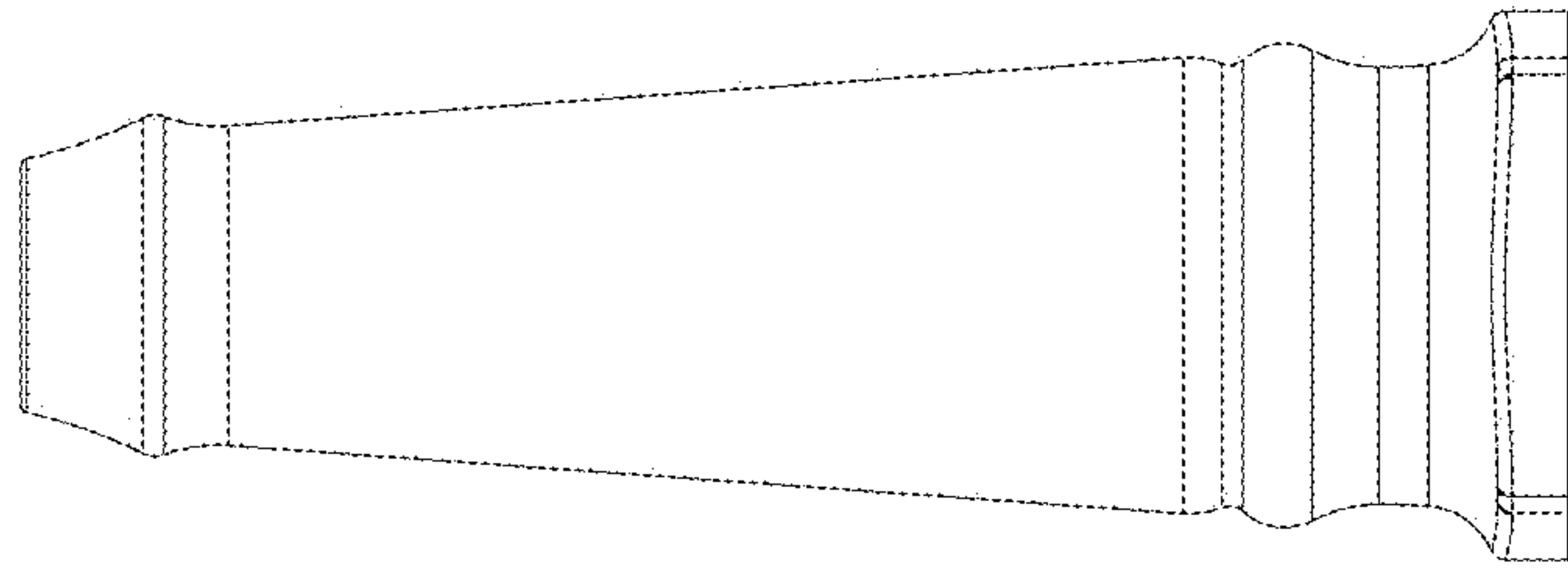


Fig. 6

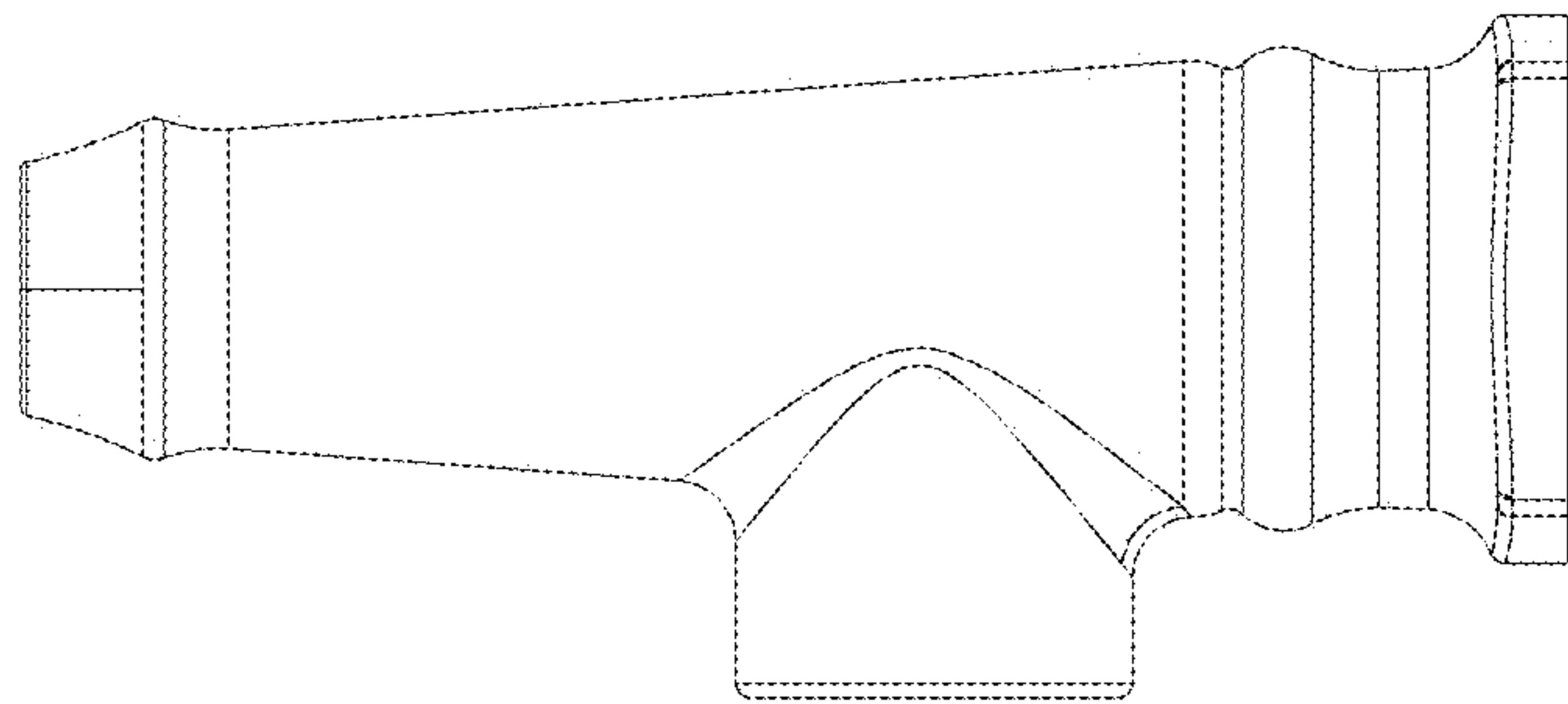


Fig. 5

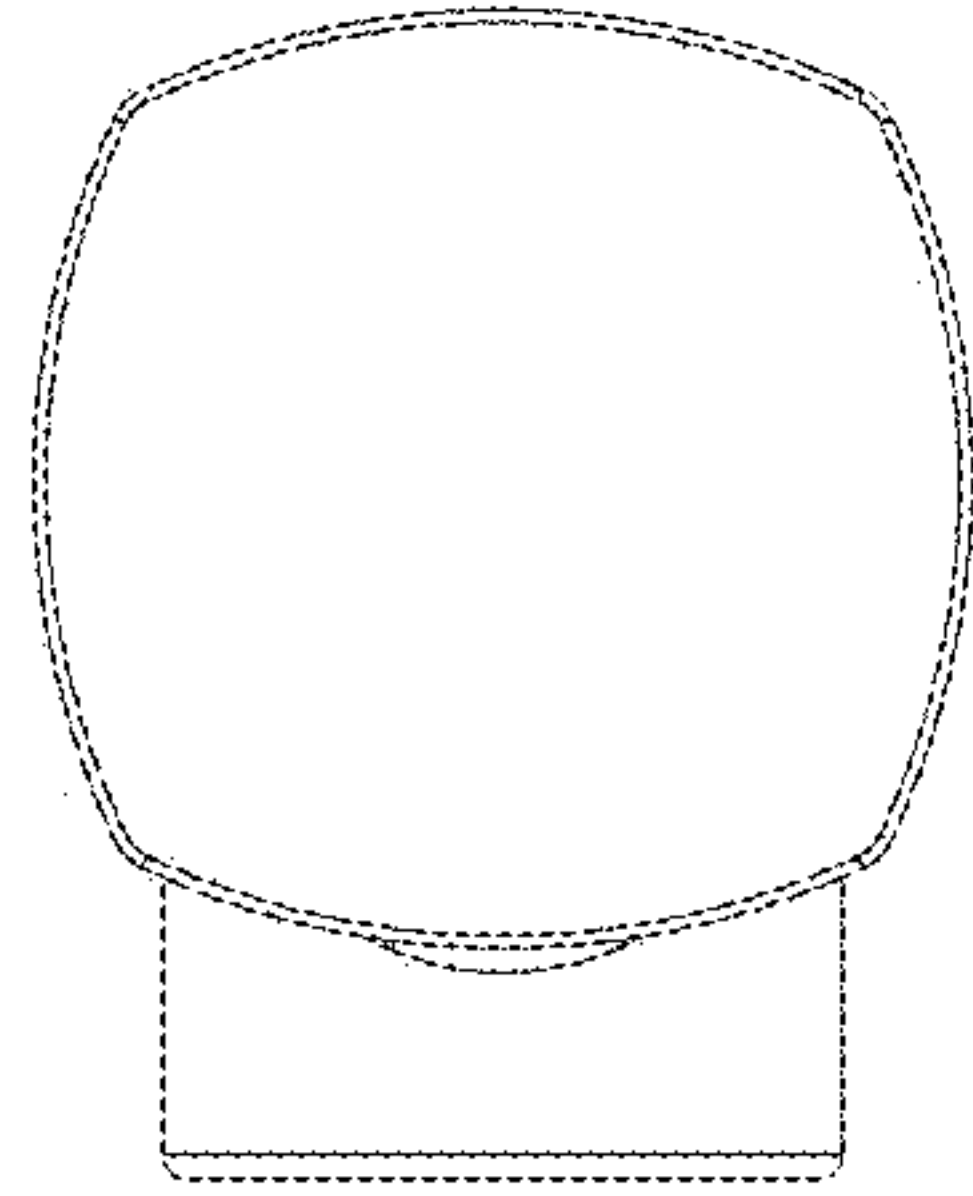


Fig. 8

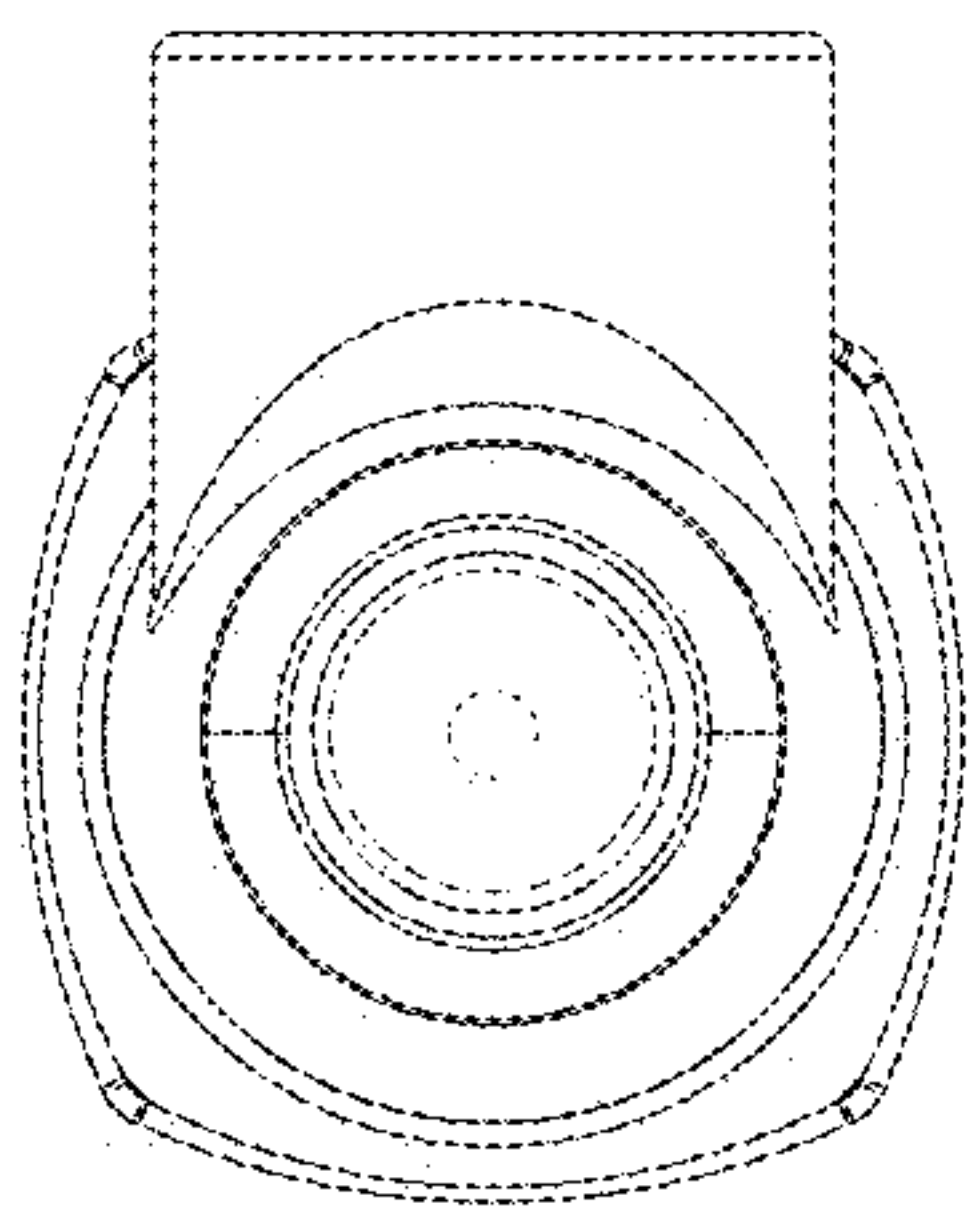


Fig. 7