



US00D956928S

(12) **United States Design Patent** (10) **Patent No.:** **US D956,928 S**
Eads (45) **Date of Patent:** **** Jul. 5, 2022**

(54) **FAUCET BODY**

FOREIGN PATENT DOCUMENTS

(71) Applicant: **DELTA FAUCET COMPANY,**
Indianapolis, IN (US)

CA 183104 * 8/2018
CN 304500223 * 8/2017

(72) Inventor: **Thad Eads,** Urbana, IN (US)

OTHER PUBLICATIONS

(73) Assignee: **DELTA FAUCET COMPANY,**
Indianapolis, IN (US)

American Standard 7074300.002 Colony Pro Single-Handle Kitchen Faucet, announced Feb. 23, 2017[online], [site visited Feb. 10, 2021]. Available from internet, URL:<<https://www.amazon.com/American-Standard-7074300-002-Single-Handle-Pull-Down/dp/B06XBS4PMJ>> (Year: 2017).*

(**) Term: **15 Years**

(21) Appl. No.: **29/723,188**

* cited by examiner

(22) Filed: **Feb. 5, 2020**

Primary Examiner — Barbara Fox

(51) **LOC (13) Cl.** **23-01**

Assistant Examiner — Jamaal Rasheed

(52) **U.S. Cl.**

(74) *Attorney, Agent, or Firm* — Nirav D. Parikh; Edgar A. Zarins

USPC **D23/238; D23/257**

(58) **Field of Classification Search**

(57) **CLAIM**

USPC **D23/238–243, 249, 255, 257**

The ornamental design for a faucet body, as shown and described.

CPC **E03C 1/0401; E03C 1/0402; E03C 1/0404;**

E03C 1/0405; E03C 1/0412

See application file for complete search history.

DESCRIPTION

(56) **References Cited**

FIG. 1 is a front perspective view of a faucet body showing my new design;

U.S. PATENT DOCUMENTS

D537,146 S *	2/2007	Hanna	D23/238
D693,905 S *	11/2013	Ke	D23/238
D800,260 S *	10/2017	Fritz	D23/238
D873,385 S *	1/2020	Tentler	D23/257
D876,588 S *	2/2020	Garland	D23/238
D877,297 S *	3/2020	Tentler	D23/238
D896,348 S *	9/2020	Zhang	D23/238
D914,145 S *	3/2021	Levi	D23/238
D914,156 S *	3/2021	Zhu	D23/249
D921,843 S *	6/2021	Eads	D23/238

FIG. 2 is rear perspective view thereof;

FIG. 3 is a front elevational view thereof;

FIG. 4 is a left side view thereof;

FIG. 5 is a rear view thereof;

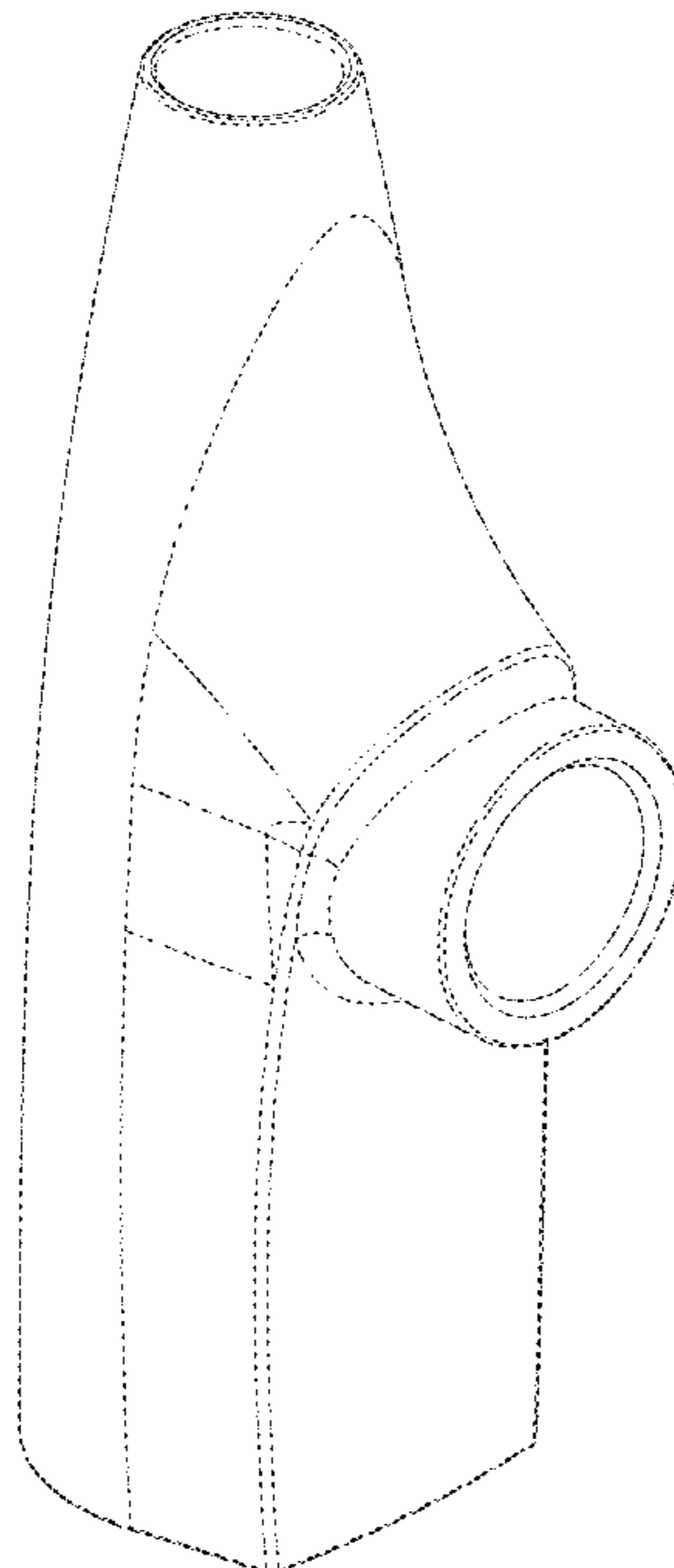
FIG. 6 is a right side view thereof;

FIG. 7 is a top plan view thereof; and,

FIG. 8 is a bottom view thereof.

The broken lines depict portions of the faucet body that form no part of the claimed design.

1 Claim, 4 Drawing Sheets



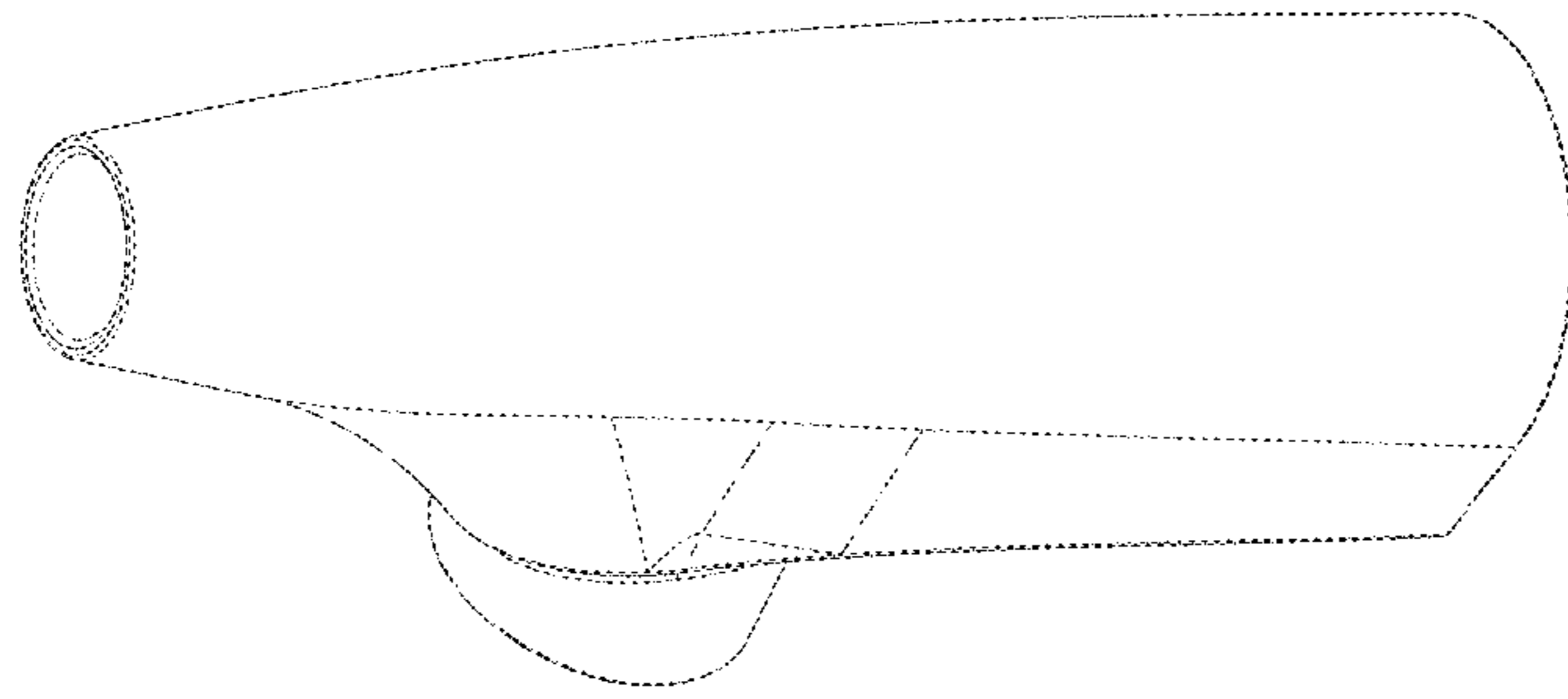


FIG. 2

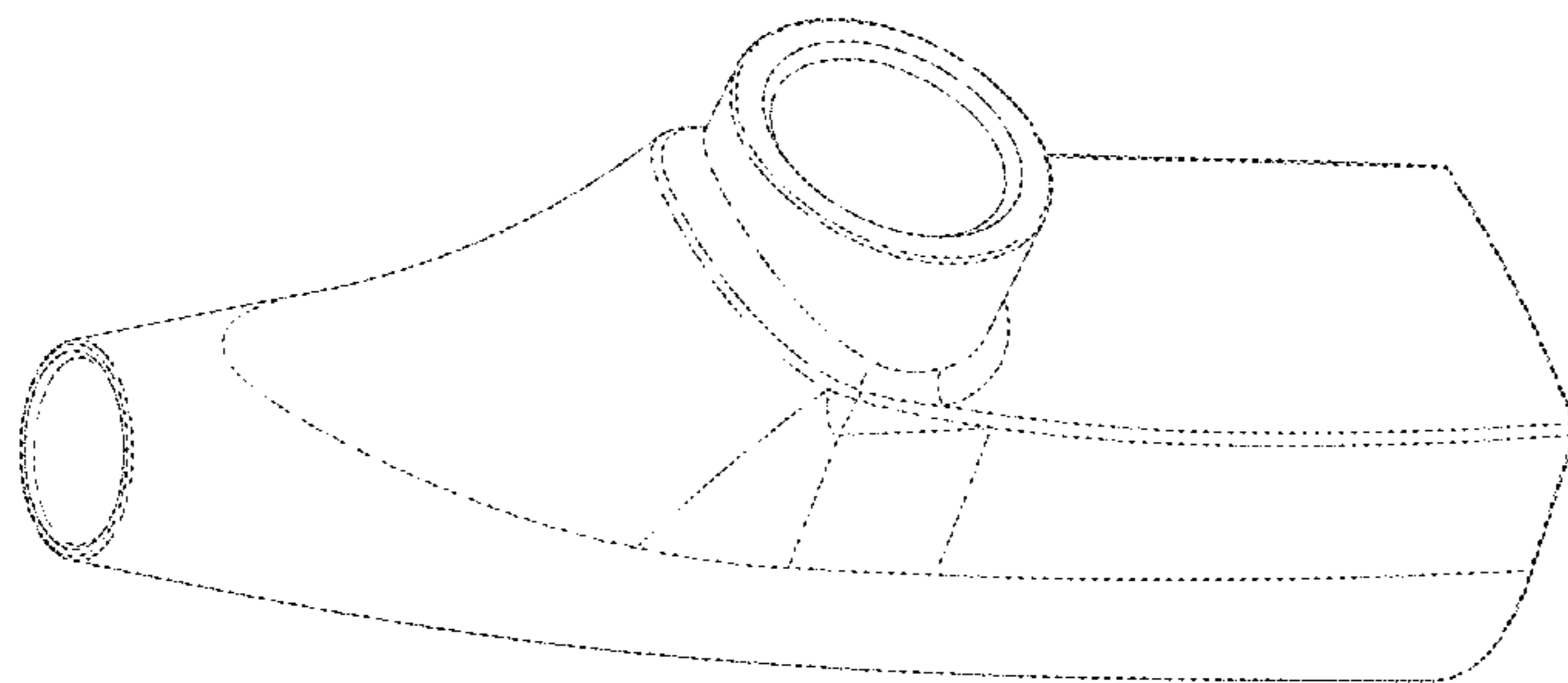


FIG. 1

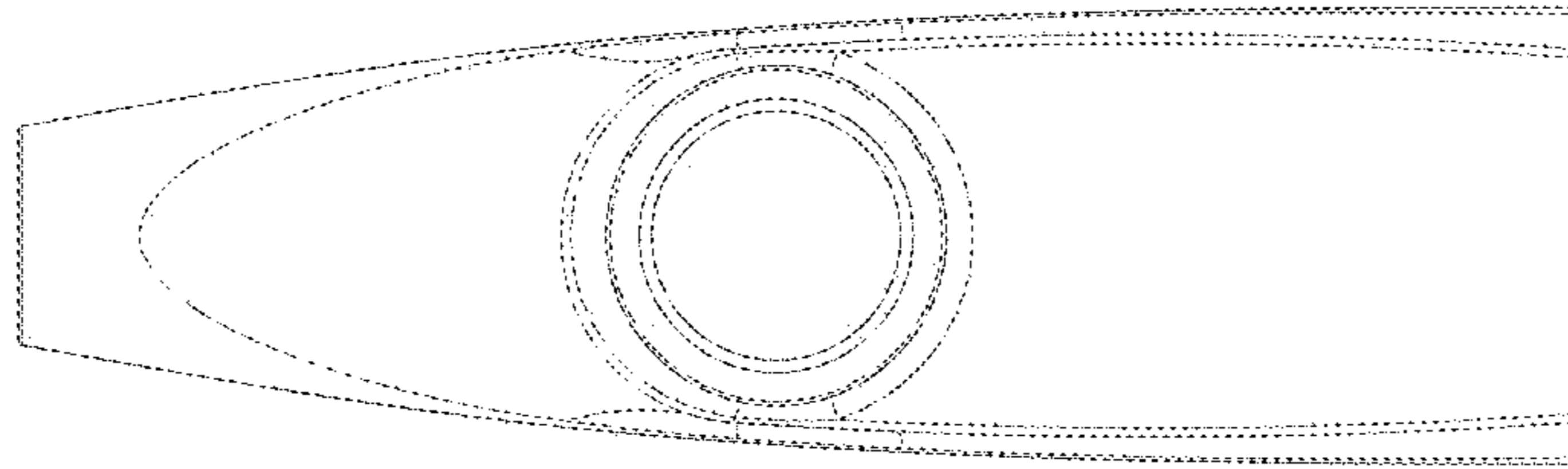


FIG. 4

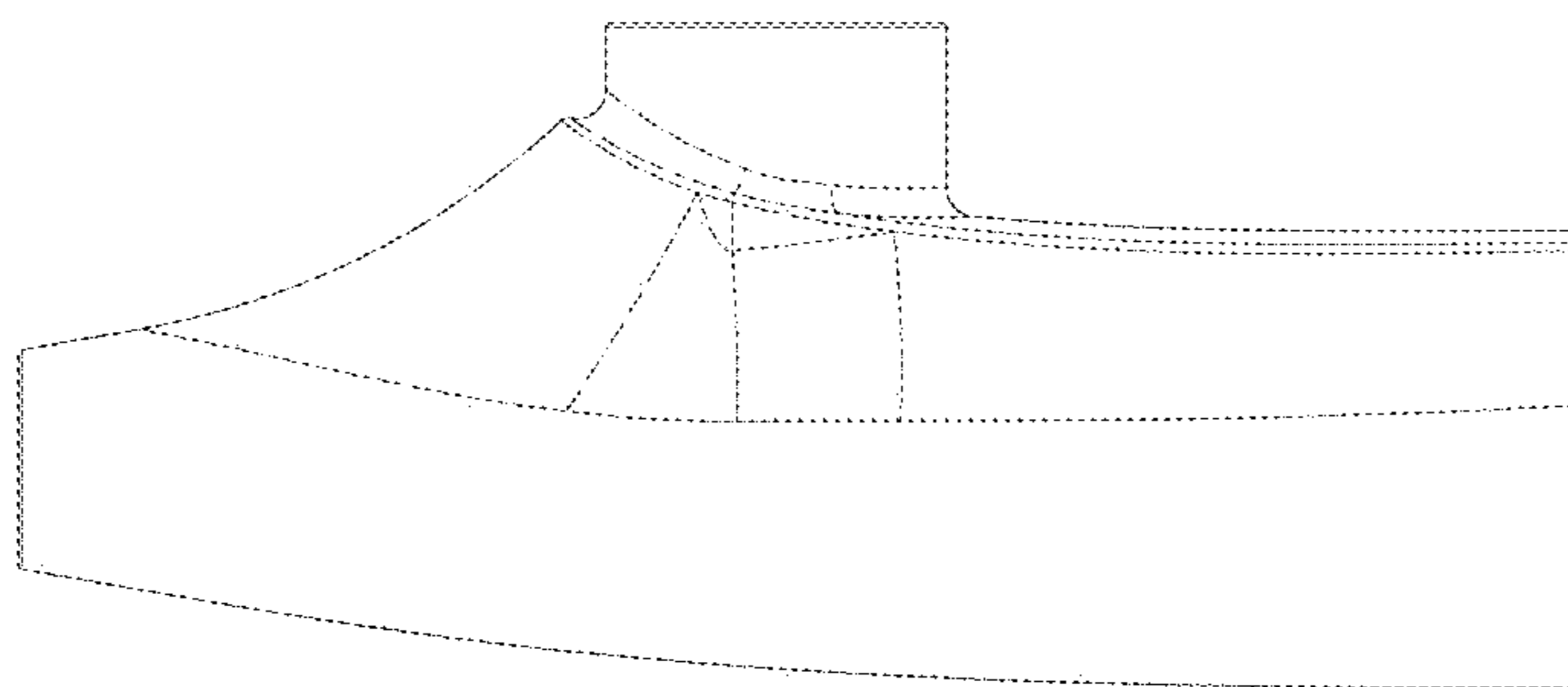


FIG. 3

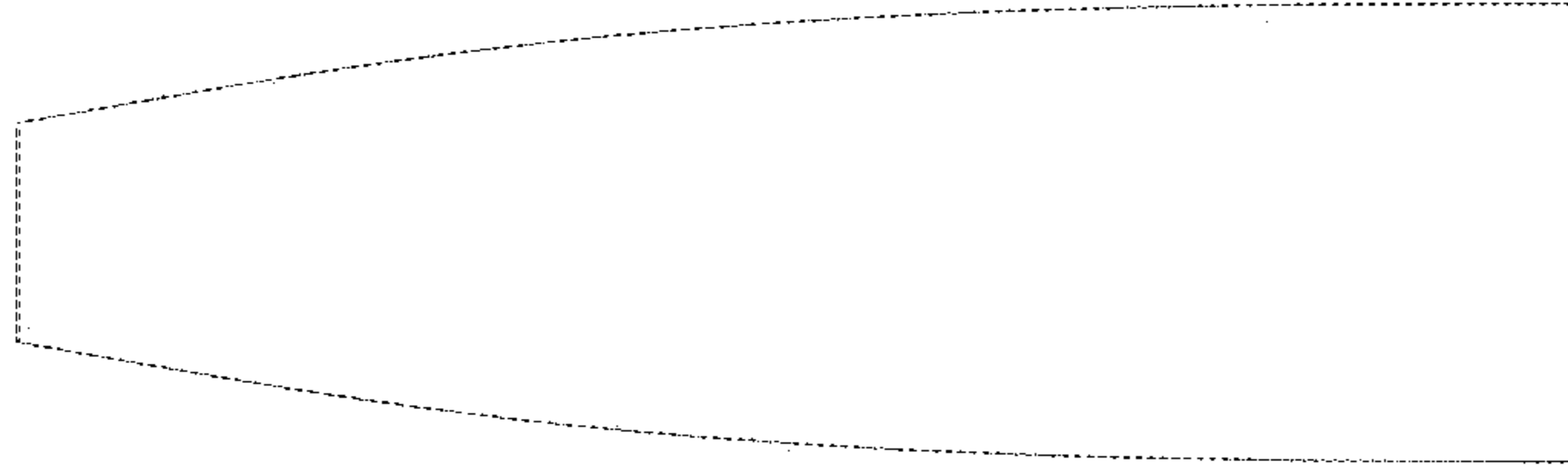


FIG. 6

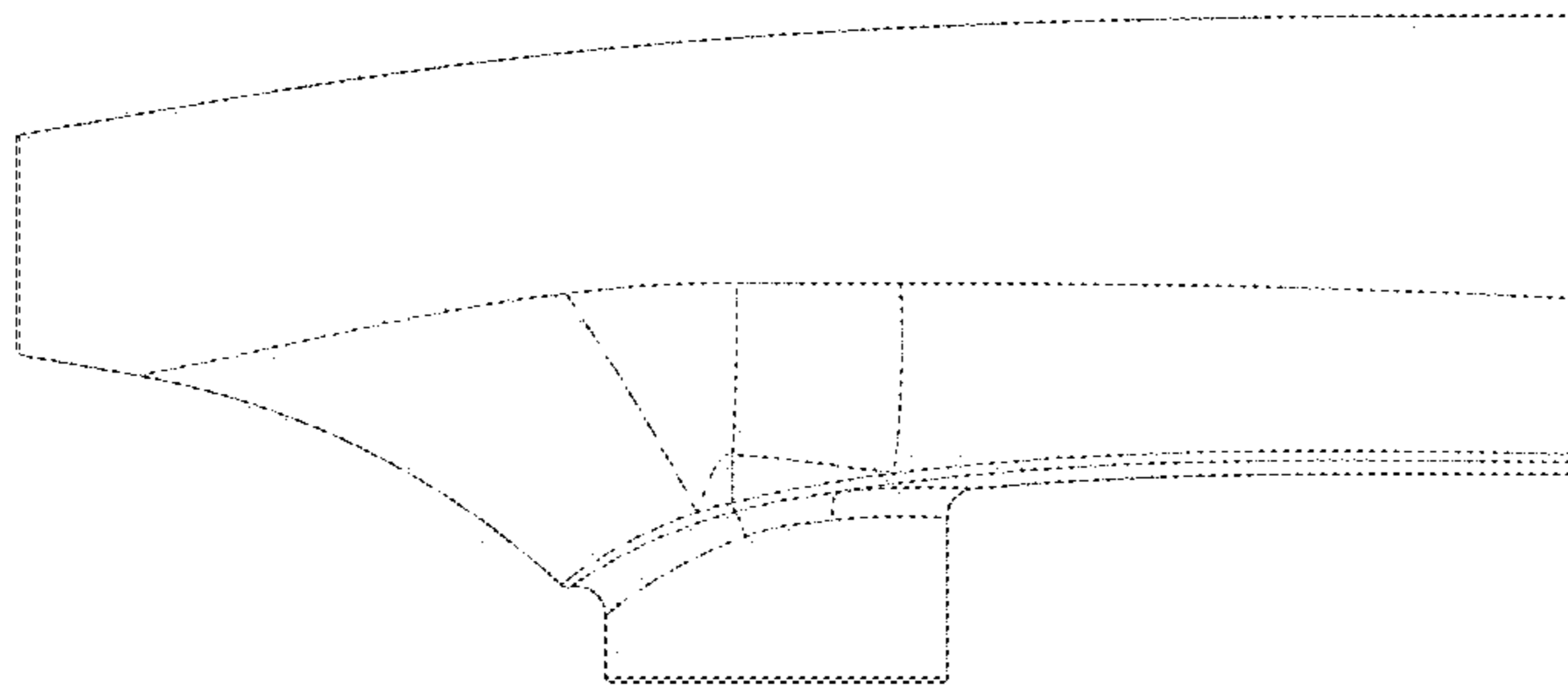


FIG. 5

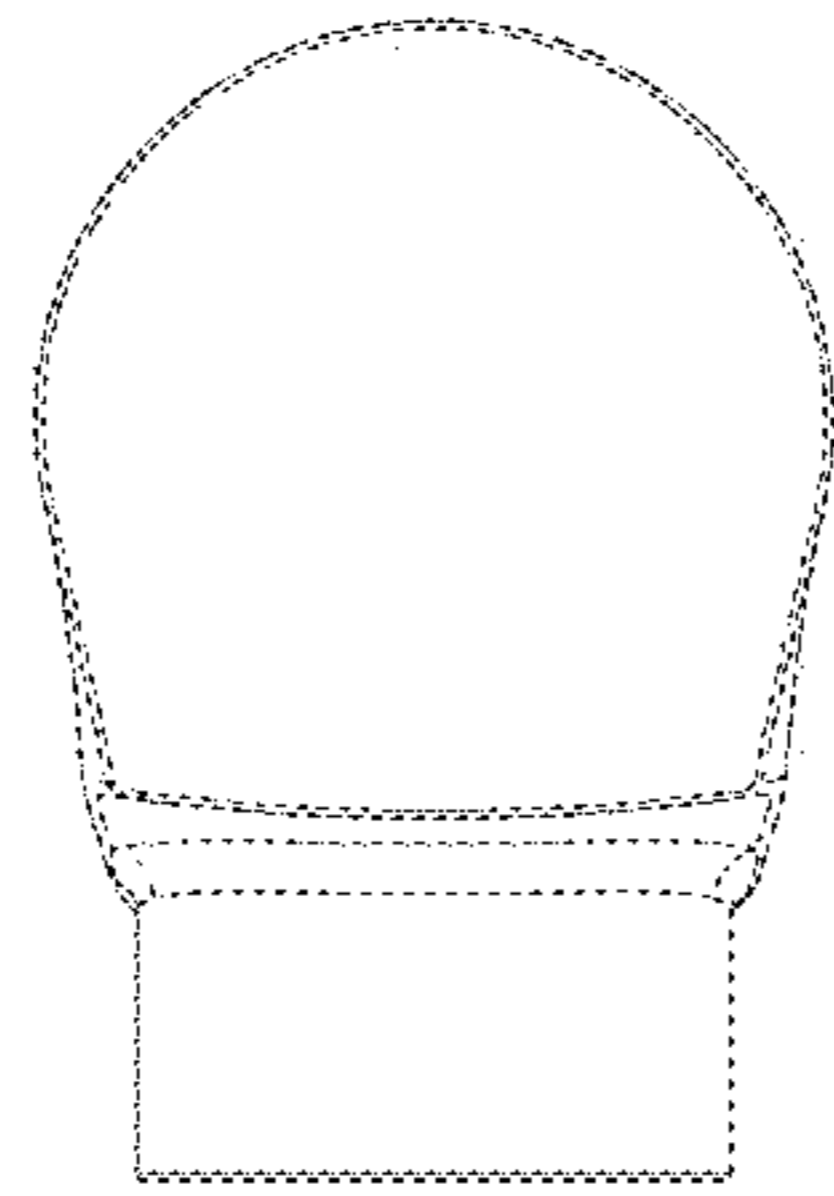


FIG. 8

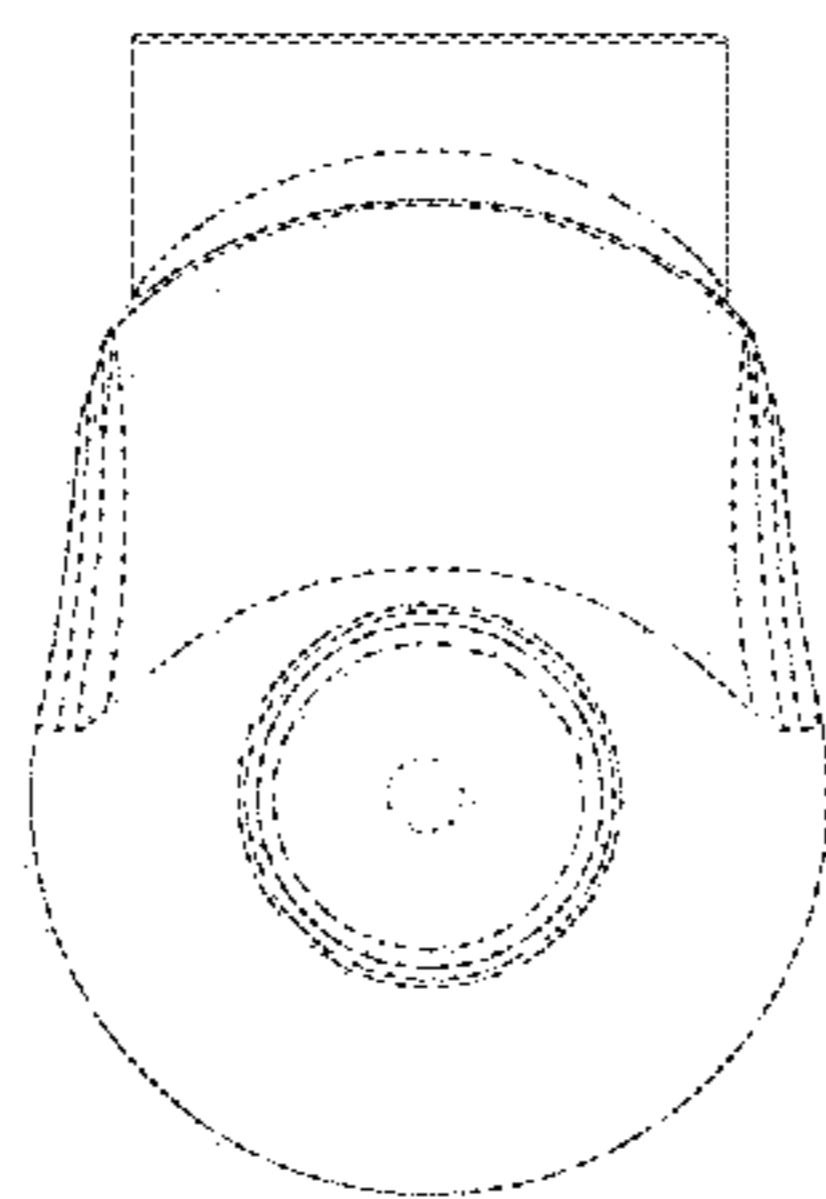


FIG. 7