



US00D956926S

(12) **United States Design Patent**  
**Chen**

(10) **Patent No.:** **US D956,926 S**  
(45) **Date of Patent:** **\*\* Jul. 5, 2022**

(54) **SPRAY DEVICE**  
(71) Applicant: **Qijun Lv**, Yuyao (CN)  
(72) Inventor: **Jianmeng Chen**, Yuyao (CN)  
(73) Assignee: **Qijun Lv**, Yuyao (CN)  
(\*\*) Term: **15 Years**

6,749,133 B1 \* 6/2004 Ketcham ..... B05B 7/2443  
239/525  
D497,975 S \* 11/2004 Chen ..... D23/225  
7,296,761 B1 \* 11/2007 Laible ..... B05B 7/2443  
222/481.5  
7,322,534 B2 \* 1/2008 Bartsch ..... C02F 1/42  
239/315  
7,661,604 B1 \* 2/2010 MacLean-Blevins .....  
B05B 7/2478  
239/10

(Continued)

(21) Appl. No.: **29/771,602**

(22) Filed: **Feb. 24, 2021**

(30) **Foreign Application Priority Data**

Dec. 18, 2020 (EM) ..... 202030783090.2

(51) **LOC (13) Cl.** ..... **23-01**

(52) **U.S. Cl.**  
USPC ..... **D23/225**

(58) **Field of Classification Search**  
USPC ..... D23/207, 213, 214, 215, 223, 224, 225,  
D23/226, 229, 230; D9/500, 524, 542,  
D9/685  
CPC ..... A61H 9/0021; A61H 33/00; B05B 1/00;  
B05B 1/14; B05B 1/185; B05B 1/08;  
B05B 1/02; B05B 1/26; B05B 12/002;  
B05B 1/18; B05B 9/01

See application file for complete search history.

(56) **References Cited**

**U.S. PATENT DOCUMENTS**

5,183,206 A \* 2/1993 Gavin ..... B05B 7/1418  
239/521  
5,213,265 A \* 5/1993 Englhard ..... B05B 7/2448  
222/484  
6,283,385 B1 \* 9/2001 Beaver ..... B05B 7/2443  
239/10  
6,425,534 B2 \* 7/2002 Ketcham ..... B05B 7/2472  
137/893  
6,578,776 B1 \* 6/2003 Shanklin ..... B05B 7/2443  
239/353

**OTHER PUBLICATIONS**

Hose Spray Nozzle, High Pressure Garden Hose Nozzle, Nov. 16, 2020, amazon.ca, Apr. 28, 2022, URL: <https://www.amazon.ca/dp/B08NJSSV2C/> (Year: 2022).\*

(Continued)

*Primary Examiner* — Keith J Wilson  
(74) *Attorney, Agent, or Firm* — IPro, PLLC

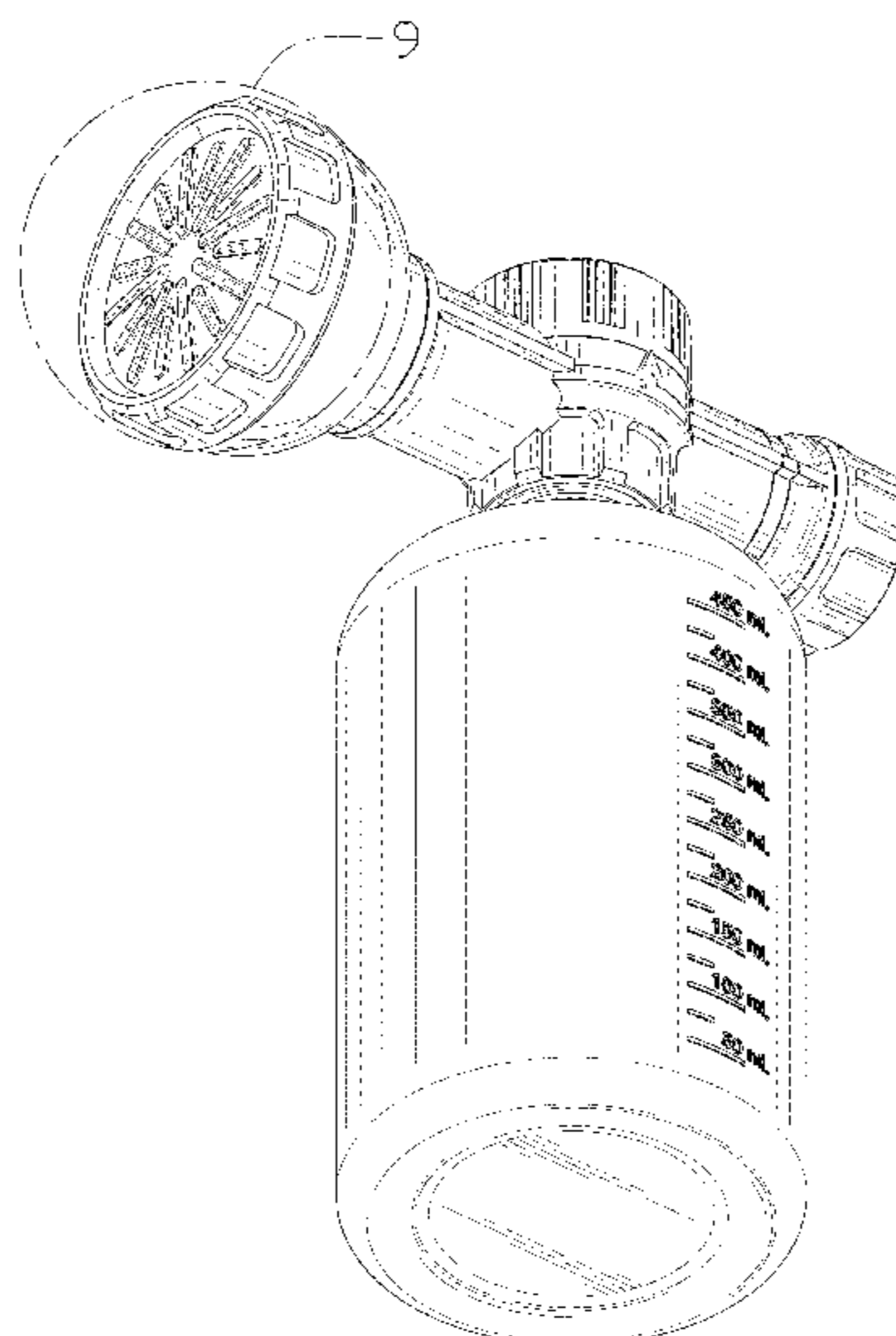
(57) **CLAIM**

The ornamental design for a spray device, as shown and described.

**DESCRIPTION**

FIG. 1 is a perspective view of an ornamental design for a spray device showing our new design;  
FIG. 2 is another perspective view viewed from another angle thereof;  
FIG. 3 is a front elevation view thereof;  
FIG. 4 is a rear elevation view thereof;  
FIG. 5 is a left side elevation view thereof;  
FIG. 6 is a right side elevation view thereof;  
FIG. 7 is a top plan view thereof;  
FIG. 8 is a bottom plan view thereof; and,  
FIG. 9 is an enlarged view of a circled part of FIG. 1.  
The broken line showing of a spray device is included for the purpose of illustrating portions of the article and forms no part of the claimed design.

**1 Claim, 9 Drawing Sheets**



(56)

**References Cited**

## U.S. PATENT DOCUMENTS

7,703,703 B2 \* 4/2010 Gavin ..... B05B 1/1636  
 239/521  
 D675,713 S \* 2/2013 Christensen ..... D23/225  
 8,726,939 B2 \* 5/2014 Laible ..... B05B 7/12  
 137/892  
 D709,988 S \* 7/2014 Ford ..... D23/213  
 D713,497 S \* 9/2014 Dobias ..... D23/223  
 D761,937 S \* 7/2016 Popek ..... D23/225  
 D772,380 S \* 11/2016 Fontaine ..... D23/225  
 D827,773 S \* 9/2018 Schneider ..... D23/225  
 D827,776 S \* 9/2018 Schneider ..... D23/225  
 10,138,110 B2 \* 11/2018 Bates ..... B05B 15/63  
 10,272,457 B2 \* 4/2019 McDonnell ..... B05B 7/2408  
 D881,342 S \* 4/2020 Chou ..... D9/688  
 10,632,481 B1 \* 4/2020 Laible ..... B05B 12/1418  
 10,926,276 B2 \* 2/2021 McDonnell ..... B05B 11/0005  
 D918,340 S \* 5/2021 Zheng ..... D23/225  
 D918,341 S \* 5/2021 Wang ..... D23/225  
 D923,748 S \* 6/2021 Lo ..... D9/692  
 D930,113 S \* 9/2021 Dubiel ..... D23/213  
 D942,722 S \* 2/2022 Lin ..... D32/25

## OTHER PUBLICATIONS

Aqua Plumb Hose End Sprayer Mixer Bottle, Sep. 23, 2014,  
 amazon.ca, Apr. 28, 2022, URL: <https://www.amazon.ca/Aqua-Plumb-Sprayer-Mixer-Bottle/dp/B0058I118E/> (Year: 2014).\*

Hudson 2100 Hose End 26 oz Sprayer, Jun. 27, 2013, amazon.ca,  
 Apr. 28, 2022, URL: <https://www.amazon.ca/Hudson-2100-Hose-End-Sprayer/dp/B003ARTX80/> (Year: 2013).\*

Do it Best GS 2071C Best Garden Hose End Sprayer, Mar. 2, 2017,  
 amazon.ca, Apr. 28, 2022, URL: <https://www.amazon.ca/Best-Garden-Hose-End-Sprayer/dp/B00PYQS35Y/> (Year: 2017).\*

\* cited by examiner

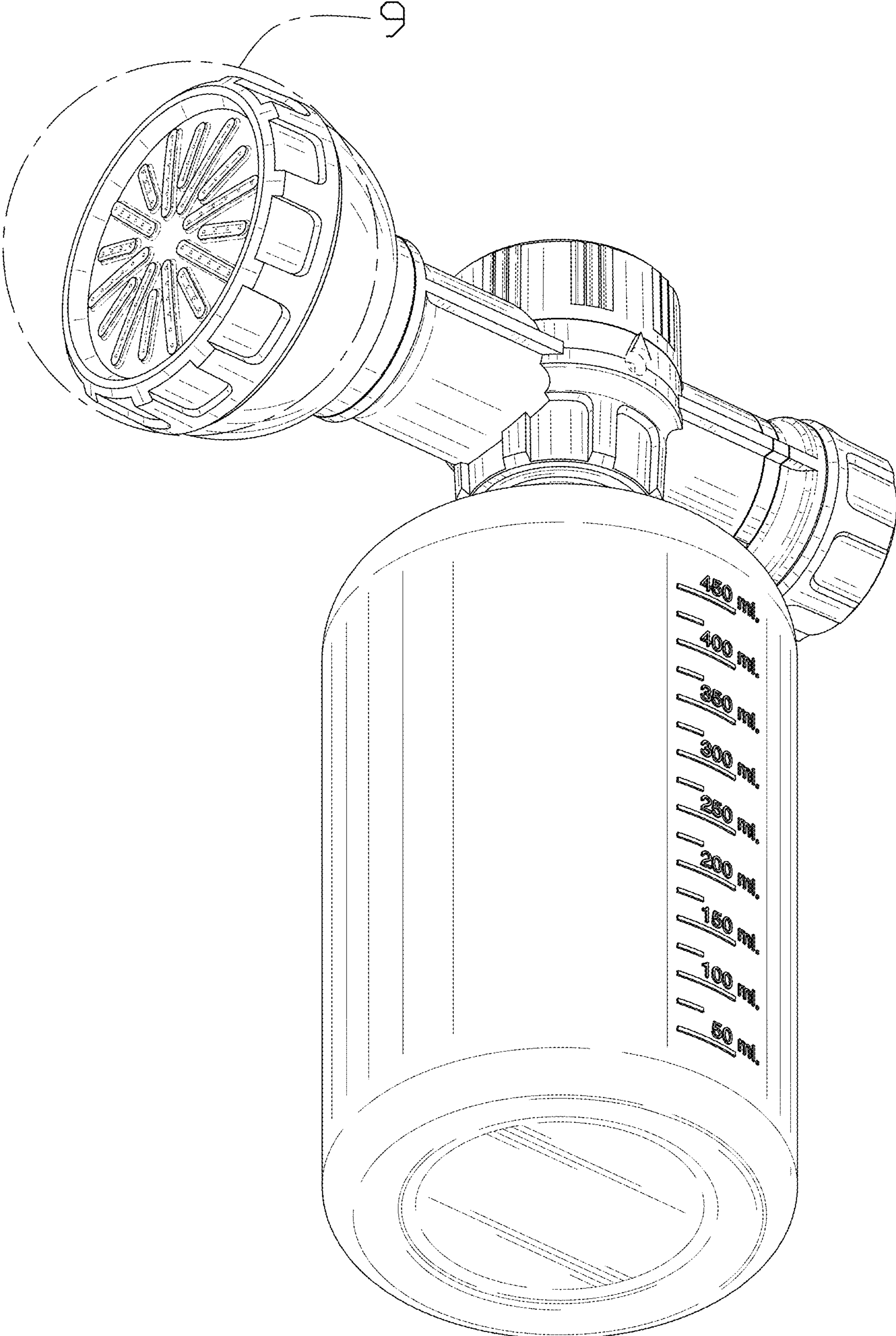


FIG. 1

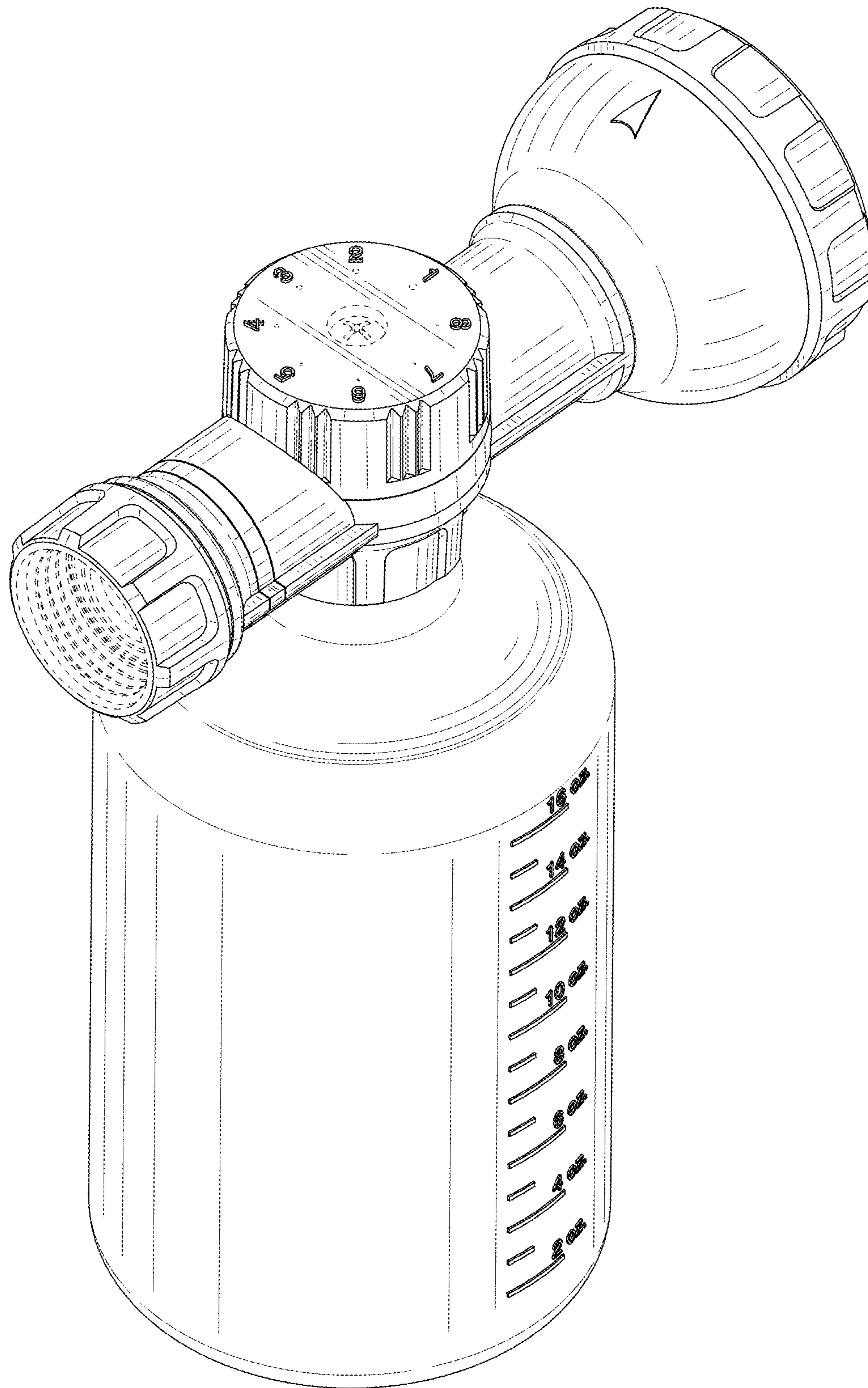


FIG. 2

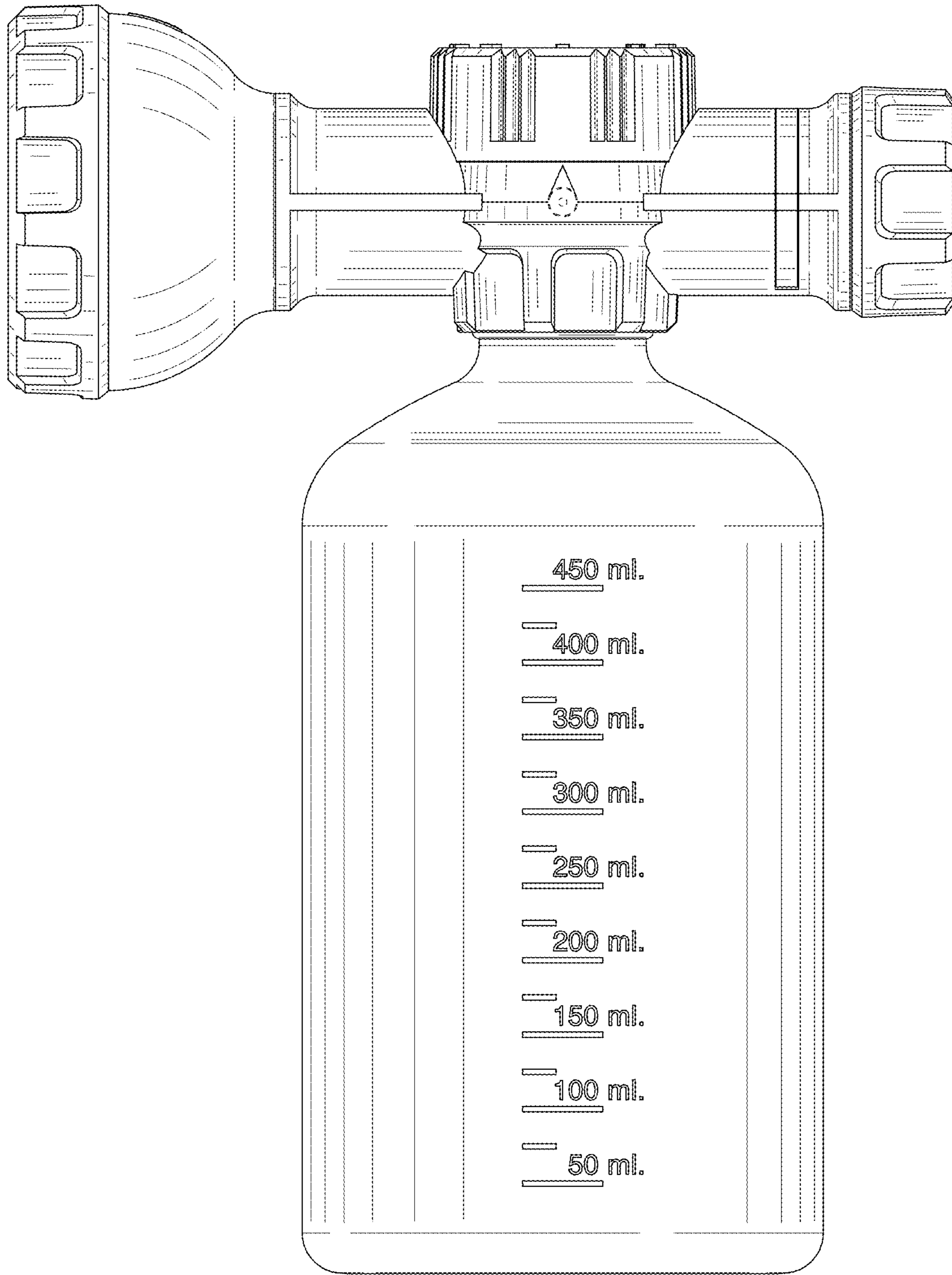


FIG. 3

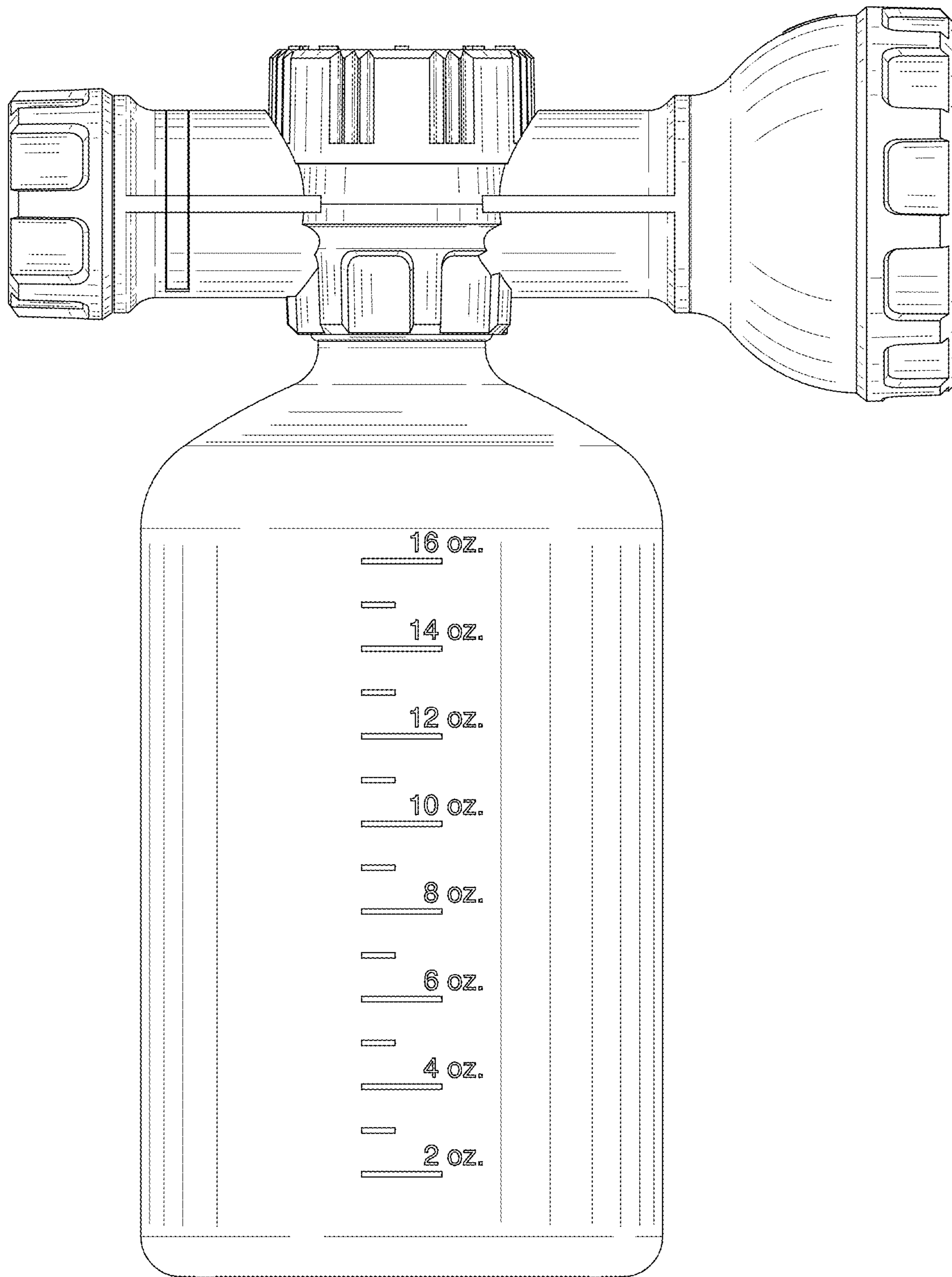


FIG. 4

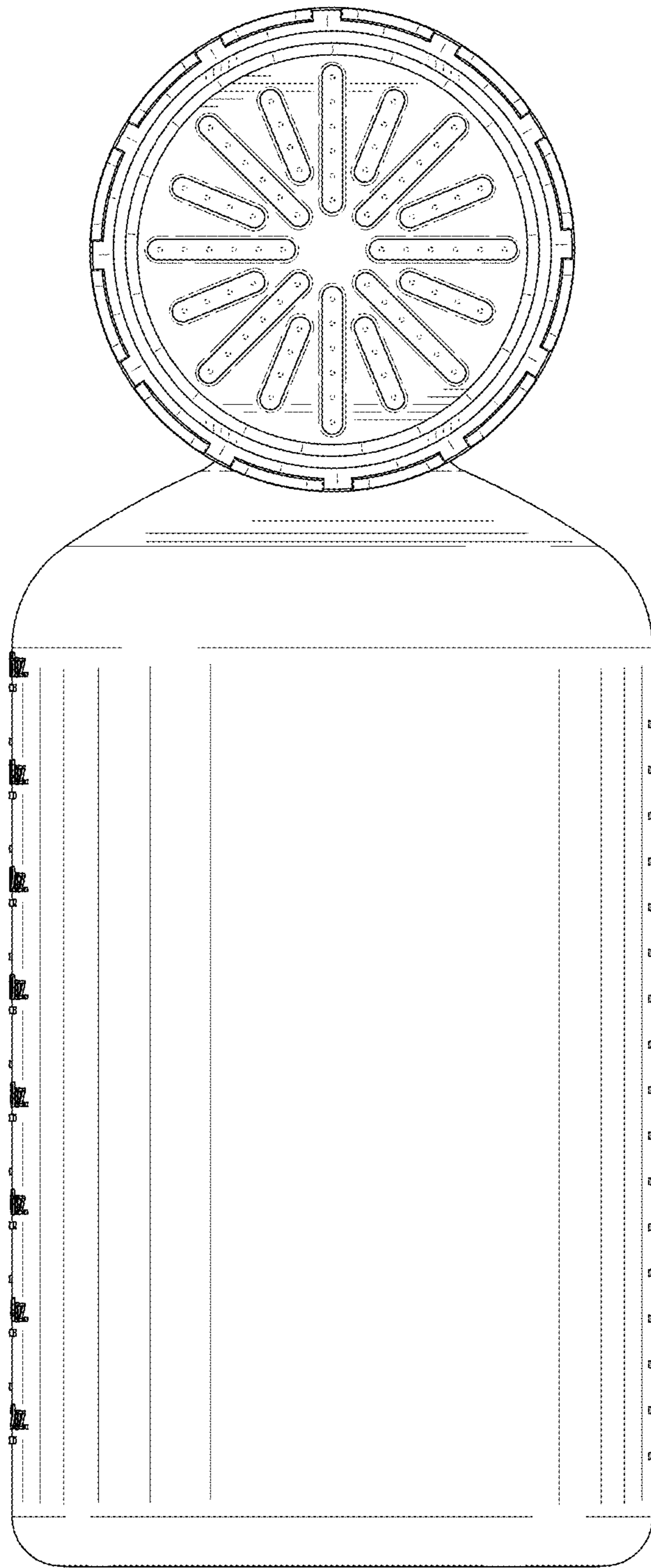


FIG. 5

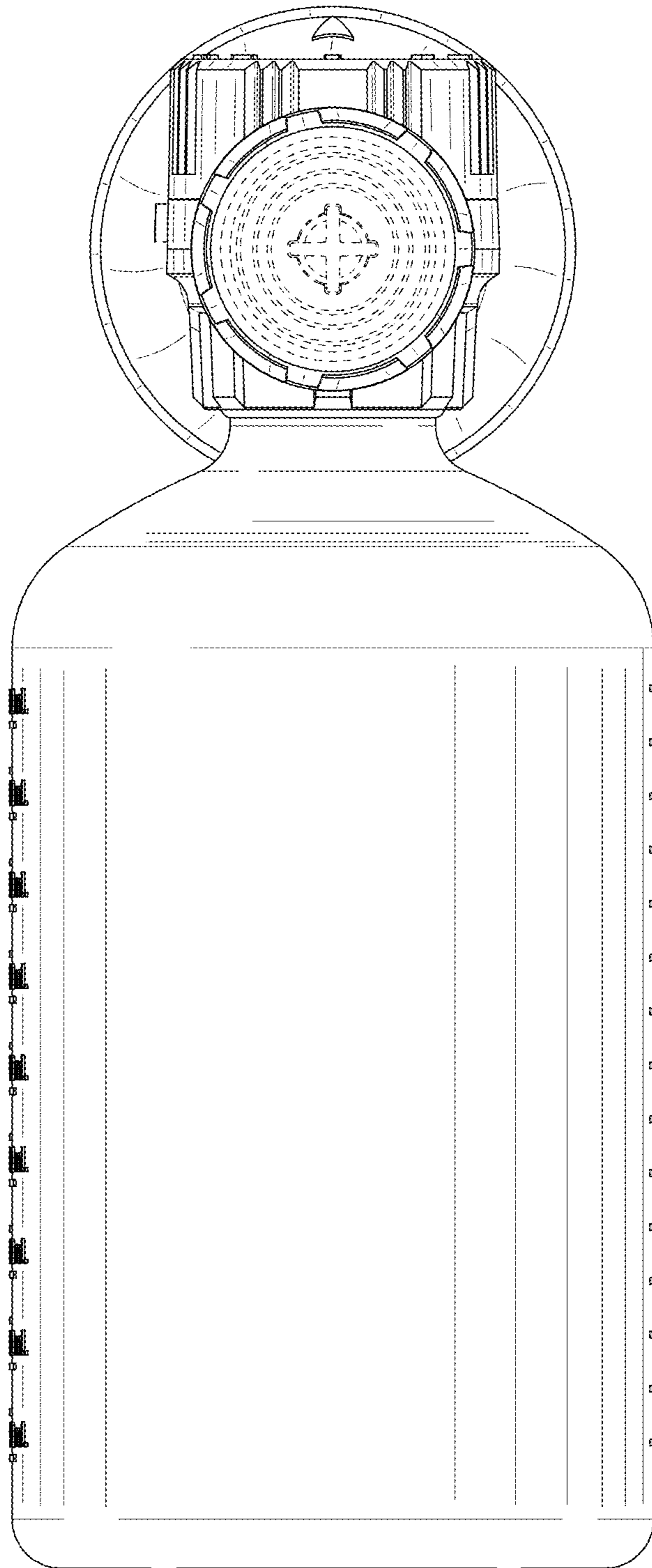


FIG. 6



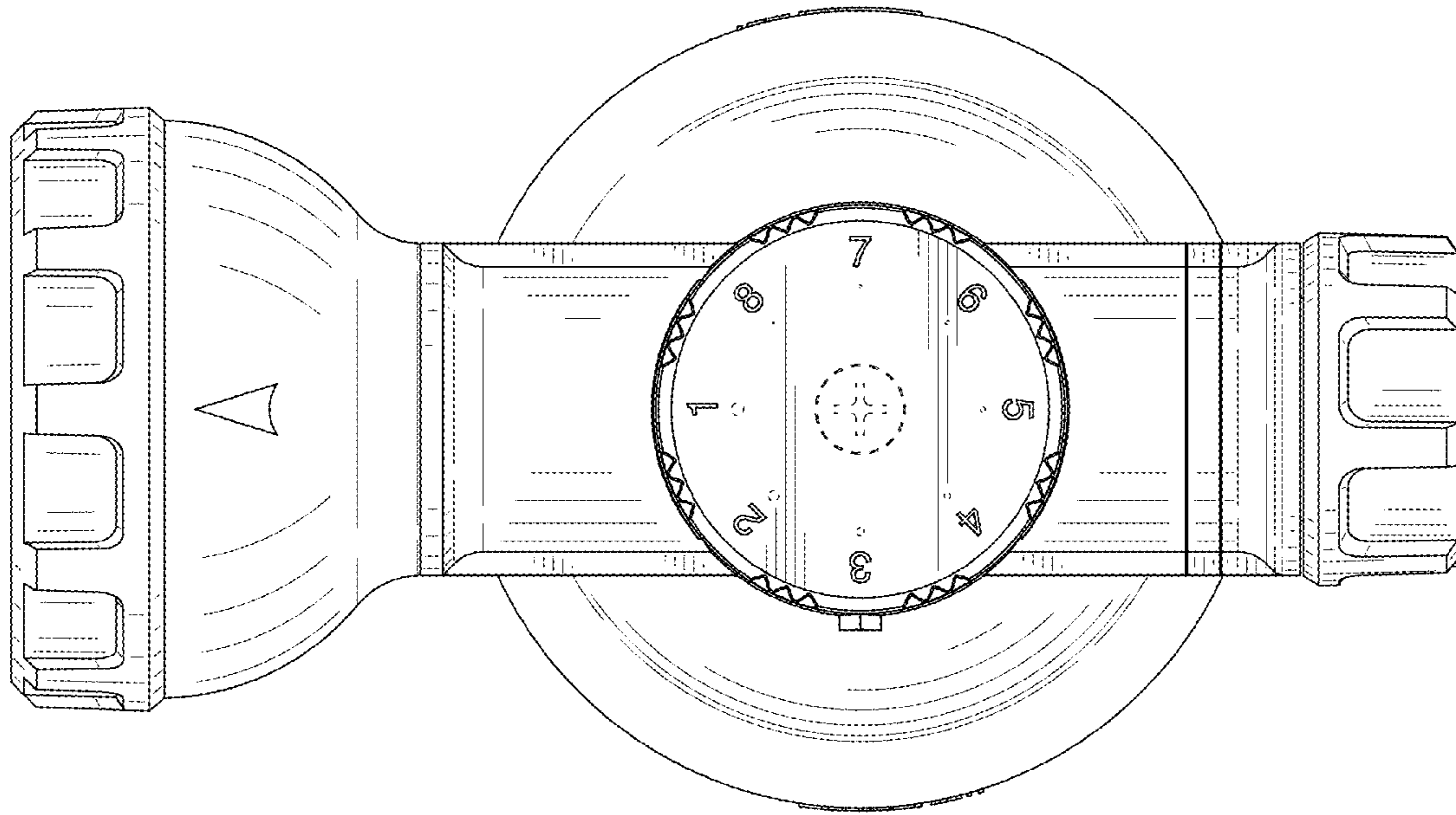


FIG. 7

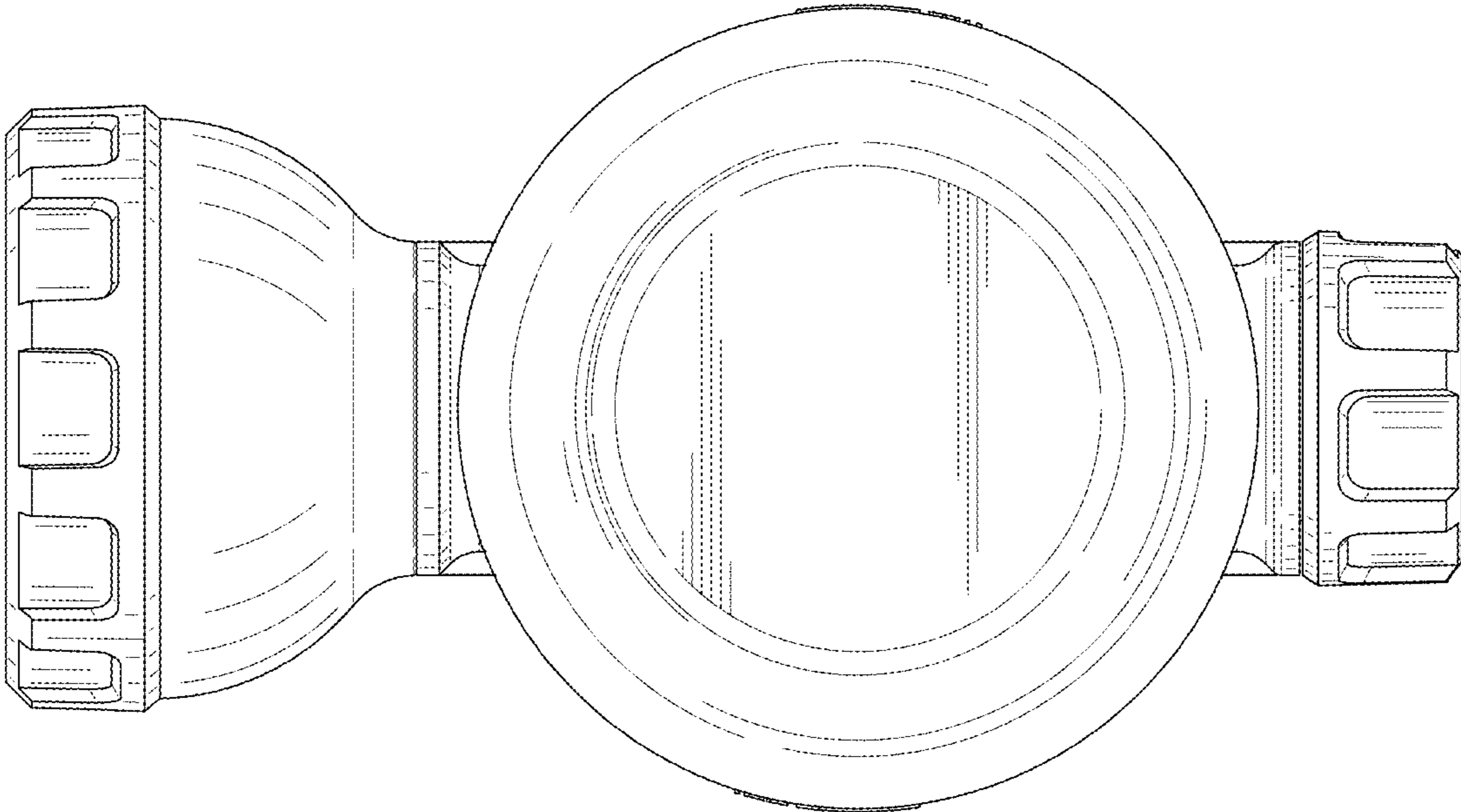


FIG. 8

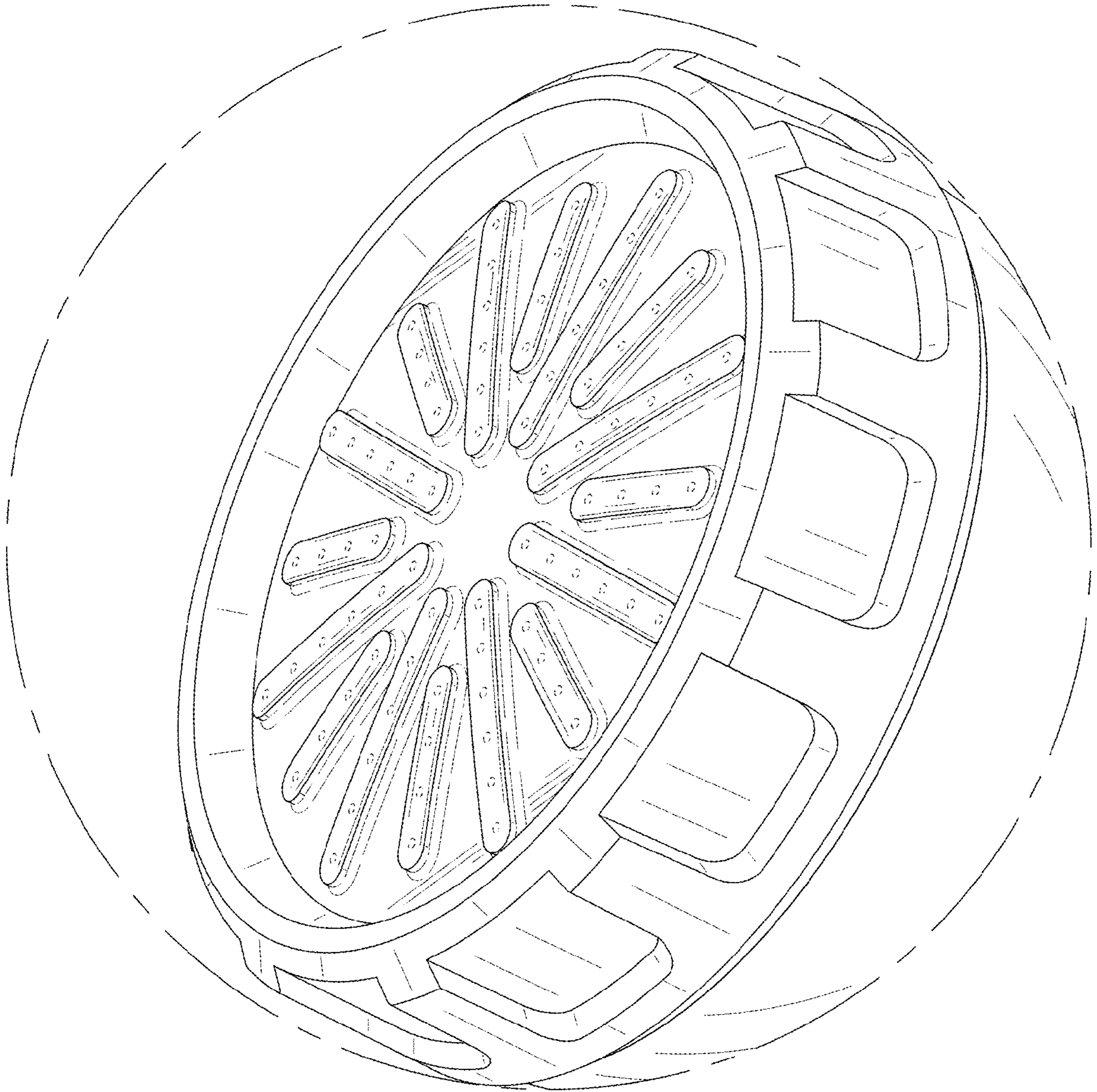


FIG. 9