



US00D956925S

(12) **United States Design Patent** (10) **Patent No.:** **US D956,925 S**  
**Ross** (45) **Date of Patent:** **\*\* Jul. 5, 2022**

(54) **FLUID CARTRIDGE**

(71) Applicant: **Graco Minnesota Inc.**, Minneapolis, MN (US)

(72) Inventor: **Daniel P. Ross**, Vadnais Heights, MN (US)

(73) Assignee: **Graco Minnesota Inc.**, Minneapolis, MN (US)

(\*\*) Term: **15 Years**

(21) Appl. No.: **29/808,038**

(22) Filed: **Sep. 16, 2021**

**Related U.S. Application Data**

(63) Continuation of application No. 29/710,788, filed on Oct. 25, 2019, now Pat. No. Des. 933,160, which is a continuation-in-part of application No. 29/698,843, filed on Jul. 19, 2019, now Pat. No. Des. 904,563.

(51) **LOC (13) Cl.** ..... **23-01**

(52) **U.S. Cl.**  
USPC ..... **D23/213**

(58) **Field of Classification Search**  
USPC ..... D23/207, 213, 214, 215, 223, 224, 226, D23/229, 230; D24/108, 224, 232; D9/436, 447  
CPC ..... A61H 9/0021; A61H 33/00; B05B 1/00; B05B 1/14; B05B 1/185; B05B 1/08; B05B 1/02; B05B 1/26; B05B 12/002; B05B 1/18; B05B 9/01  
See application file for complete search history.

(56) **References Cited**

**U.S. PATENT DOCUMENTS**

4,437,103 A \* 3/1984 Ikeda ..... B41J 2/162  
239/601  
D305,360 S \* 1/1990 Fechtner ..... D24/226

D309,015 S \* 7/1990 Fechtner ..... D24/224  
D349,558 S \* 8/1994 Albers ..... D9/435  
D395,073 S 6/1998 Albertson  
D506,256 S 6/2005 Miyoshi et al.  
D589,799 S 4/2009 McEwan  
D616,822 S \* 6/2010 Zayas ..... D13/134

(Continued)

**OTHER PUBLICATIONS**

Delta RP46074TUB Shower Cartridge, 1, White, Aug. 5, 2008, amazon.com, Dec. 3, 2021, URL: <https://www.amazon.com/DELTA-RP46074-SHOWER-CARTRIDGE-White/dp/B001DU57R2> (Year: 2008).\*

(Continued)

*Primary Examiner* — Jack Reickel

*Assistant Examiner* — Keith J Wilson

(74) *Attorney, Agent, or Firm* — Kinney & Lange, P.A.

(57) **CLAIM**

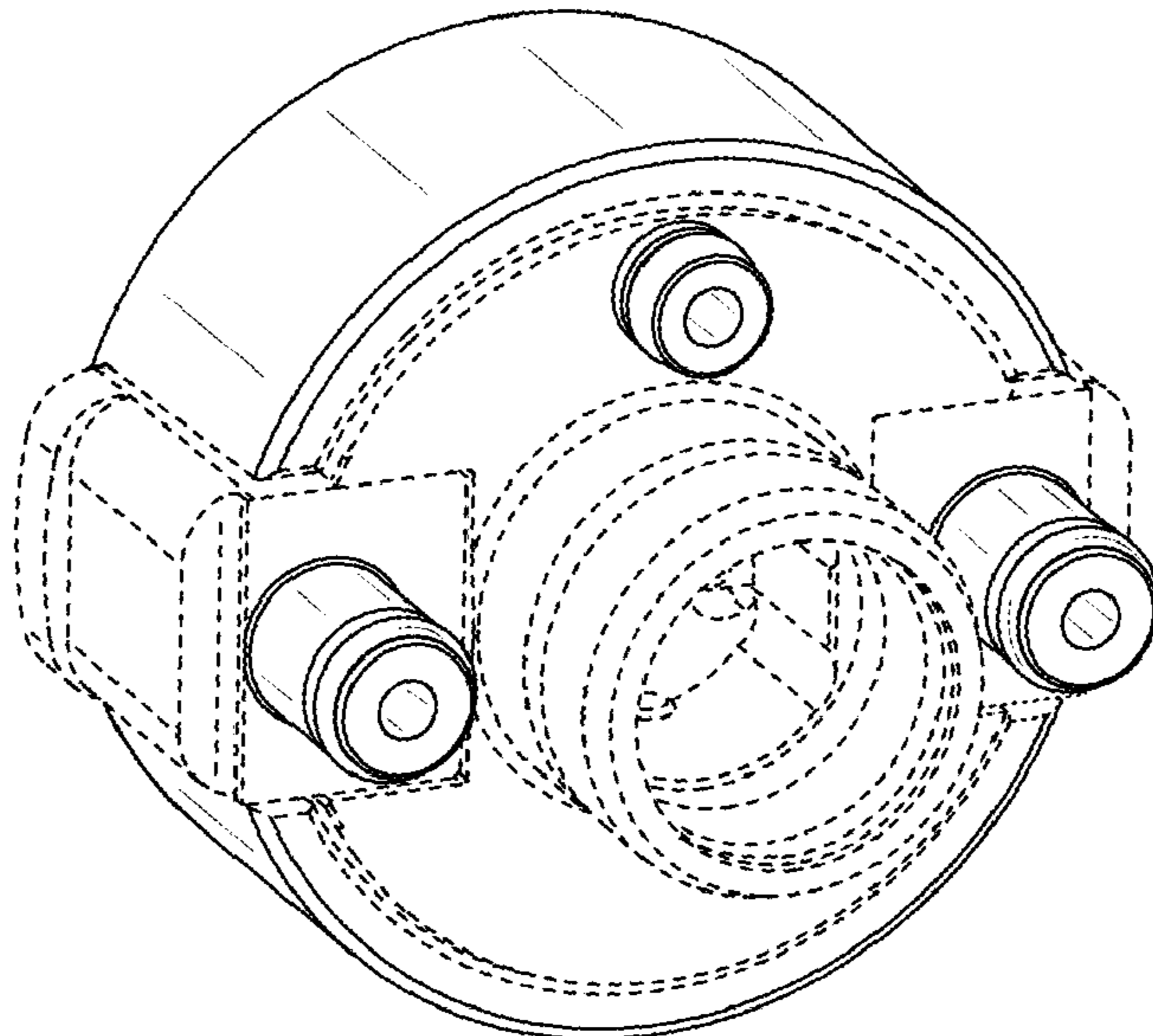
The ornamental design for a fluid cartridge, as shown and described.

**DESCRIPTION**

FIG. 1 is a perspective view of a consumable fluid cartridge; FIG. 2 is a rear elevational view of the consumable fluid cartridge; FIG. 3 is a front elevational view of the consumable fluid cartridge; FIG. 4 is a left side view of the consumable fluid cartridge; FIG. 5 is a right side view of the consumable fluid cartridge; FIG. 6 is a top plan view of the consumable fluid cartridge; and, FIG. 7 is a bottom plan view of the consumable fluid cartridge.

The broken lines shown represent portions of a fluid cartridge and form no part of the claimed design.

**1 Claim, 3 Drawing Sheets**



(56)

References Cited

OTHER PUBLICATIONS

U.S. PATENT DOCUMENTS

D638,518 S \* 5/2011 Herre ..... D23/213  
 D676,544 S \* 2/2013 Blocher ..... D24/108  
 D693,427 S \* 11/2013 Jones ..... D23/213  
 D706,135 S \* 6/2014 Hutchison ..... D9/447  
 D733,455 S \* 7/2015 Watson ..... D6/542  
 D734,868 S 7/2015 Gilboa  
 D747,458 S 1/2016 Sonderegger et al.  
 D747,459 S 1/2016 Sonderegger et al.  
 D749,693 S \* 2/2016 Evans ..... D23/213  
 D780,291 S \* 2/2017 Schrum ..... D23/225  
 D786,420 S 5/2017 Schmitt  
 9,839,580 B2 12/2017 Lev et al.  
 D818,083 S \* 5/2018 Dishman ..... D23/209  
 9,963,279 B2 \* 5/2018 Huber ..... B67D 3/0051  
 D825,737 S 8/2018 Yokoyama  
 D834,938 S \* 12/2018 Barnes ..... D9/435  
 D839,421 S \* 1/2019 Baldauf ..... D24/127  
 D842,105 S \* 3/2019 Willemstyn ..... D9/436  
 10,278,897 B2 5/2019 David et al.  
 D856,512 S \* 8/2019 Cowart ..... B29C 45/0081  
 D24/121  
 D866,747 S \* 11/2019 Tucker ..... D24/108  
 D874,611 S 2/2020 Ess et al.  
 D881,342 S \* 4/2020 Chou ..... D9/688  
 D899,925 S \* 10/2020 Laible ..... D9/436  
 D904,563 S 12/2020 Ross  
 D908,186 S 1/2021 Iyasu  
 D908,204 S 1/2021 Casiello  
 10,940,493 B2 3/2021 Levake et al.  
 10,945,921 B2 3/2021 Denenburg  
 D917,693 S 4/2021 Lev et al.  
 D918,340 S \* 5/2021 Zheng ..... D23/225  
 11,007,545 B2 5/2021 Dawson et al.  
 D921,152 S 6/2021 Blum  
 D932,048 S \* 9/2021 Laible ..... D24/220  
 D934,384 S 10/2021 Masalin et al.  
 D939,044 S \* 12/2021 Liqin ..... D23/209  
 2009/0229470 A1 9/2009 Dorfmueeller  
 2013/0155156 A1 \* 6/2013 Harvey ..... B41J 2/1752  
 347/86  
 2014/0158615 A1 6/2014 Senf et al.  
 2014/0202944 A1 \* 7/2014 Wes ..... B01D 35/306  
 210/435  
 2017/0356582 A1 \* 12/2017 Pappalardo ..... F16L 37/0848  
 2018/0178534 A1 6/2018 Nukui et al.  
 2020/0408185 A1 12/2020 Edenhalm  
 2021/0007928 A1 1/2021 Howe  
 2021/0076895 A1 3/2021 He et al.  
 2021/0138499 A1 5/2021 Hazel et al.  
 2021/0148496 A1 5/2021 Vallo et al.

Graco Fusion PC ProConnect Gun Unboxing & Retrofit Kit, Mar. 31, 2020, youtube.com, Dec. 3, 2021, URL: <https://www.youtube.com/watch?v=wSeFcbuqTaA&t=1s> (Year: 2020).\*

Delta Faucet RP46074 MultiChoice 13/14 Series Cartridge Assemble, May 16, 2011, amazon.ca, Apr. 27, 2022, URL: <https://www.amazon.ca/FAUCET-RP46074-MultiChoice-Cartridge-Assembly/dp/B001DU57R2/> (Year: 2011).\*

Kohler 77688-NA Aquifer Replacement Filter Cartridge, Mar. 28, 2018, amazon.ca, Apr. 28, 2022, URL: <https://www.amazon.ca/KOHLER-77688-NA-Aquifer-Replacement-Cartridge/dp/B074C9D8T9/> (Year: 2018).\*

Miaras Collections Bypass Compatible with Water Filter ULTRAWF, Feb. 2, 2017, amazon.ca, Apr. 28, 2022, URL: <https://www.amazon.ca/ULTRAWF-Filter-Compatible-MIARA%60s-Collection/dp/B01NBXC0IF/> (Year: 2017).\*

D'light Online HD15 Liquid Votive Fuel Cells 15 Hour Disposable Liquid Disposable in Clear Plastic Fuel Cells, Oct. 15, 2015, Amazon.com, Jun. 11, 2021 <https://www.amazon.com/dp/B00IRHZPEY> (Year: 2015).

First Examination Report for IN Application No. 326137-011, dated Feb. 17, 2020, pp. 2.

First Examination Report for IN Application No. 326141-001, dated Feb. 18, 2020, pp. 2.

Graco Fusion AP Gun A Side Cartridge w/Stainless Side Seals, Jul. 17, 2015, Amazon.com, Jun. 11, 2021 <https://www.amazon.com/Graco-Fusion-Cartridge-Stainless-246349/dp/B008BVR4BS> (Year: 2015).

Graco Fusion CS Spray Gun, Dec. 3, 2013, Youtube.com, Jun. 11, 2021 <https://www.youtube.com/watch?v=Y1ln23nKwfo> (Year: 2013). <https://christianfab.com/graco-fusion-proconnect-replacement-cartridge-3-pack-pc/> (Year:2019).

Sloan WES-150 Waterfree Urinal Cartridge, May 27, 2016, faucetdepot.com, Jun. 11, 2021 [https://www.faucetdepot.com/faucetdepot/ProductDetail.asp?Product=89957&AffiliateID=GoogleDirectFeed&gclid=EAlalQobChMII4KHkMaQ8QIVkuazCh1JDwsNEAkYASABEgJffvD\\_BwE](https://www.faucetdepot.com/faucetdepot/ProductDetail.asp?Product=89957&AffiliateID=GoogleDirectFeed&gclid=EAlalQobChMII4KHkMaQ8QIVkuazCh1JDwsNEAkYASABEgJffvD_BwE) (Year: 2016).

Features of the Fusion ProConnect (PC) Cartridge, Jan. 16, 2020, youtube.com, Apr. 6, 2022, URL: <https://www.youtube.com/watch?v=uTfs2KmUPBA> (Year: 2020).

Fusion ProConnect Animation Overview, Feb. 2, 2020, youtube.com, Apr. 6, 2022, URL: <https://www.youtube.com/watch?v=3vp8X0bW-XM> (Year: 2020).

Honeywell Home 7581P100L Combo Organic Vapor and P100 Particulate Filter Cartridge, Apr. 16, 2016, amazon.ca, Apr. 6, 2022, URL: <https://www.annazon.ca/Honeywell-7581P100L-Organic-Particulate-Cartridge/dp/BOOCOTZTJW/> (Year: 2022).

North by Honeywell N75001 L Gas and Vapor Cartridges, Mar. 9, 2018, amazon.ca, Apr. 6, 2022, URL: <https://www.annazon.ca/North-Honeywell-N75001L-Cartridges-Cartridge/dp/BOOZ2R102C/> (Year: 2018).

\* cited by examiner

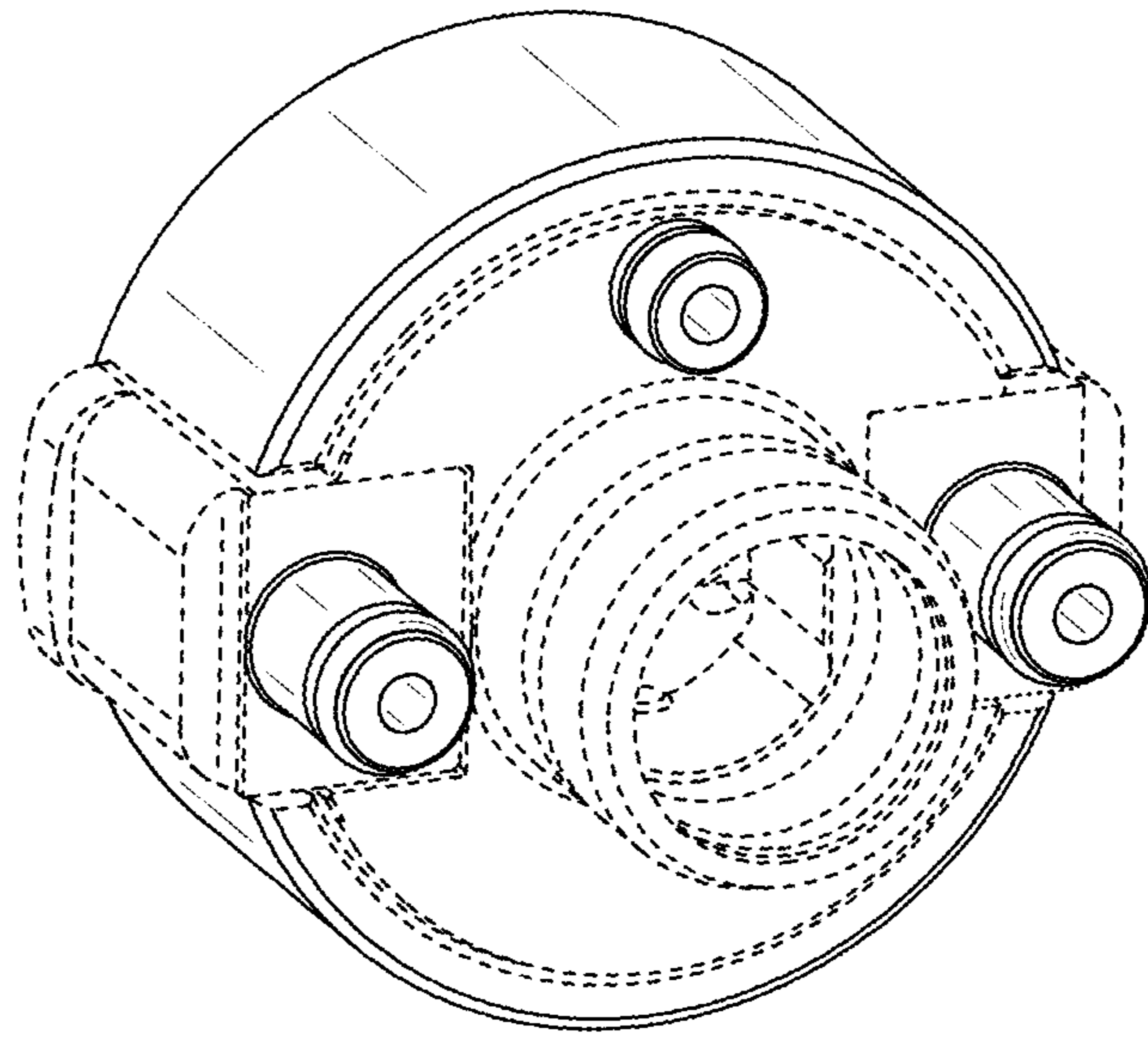


Fig. 1

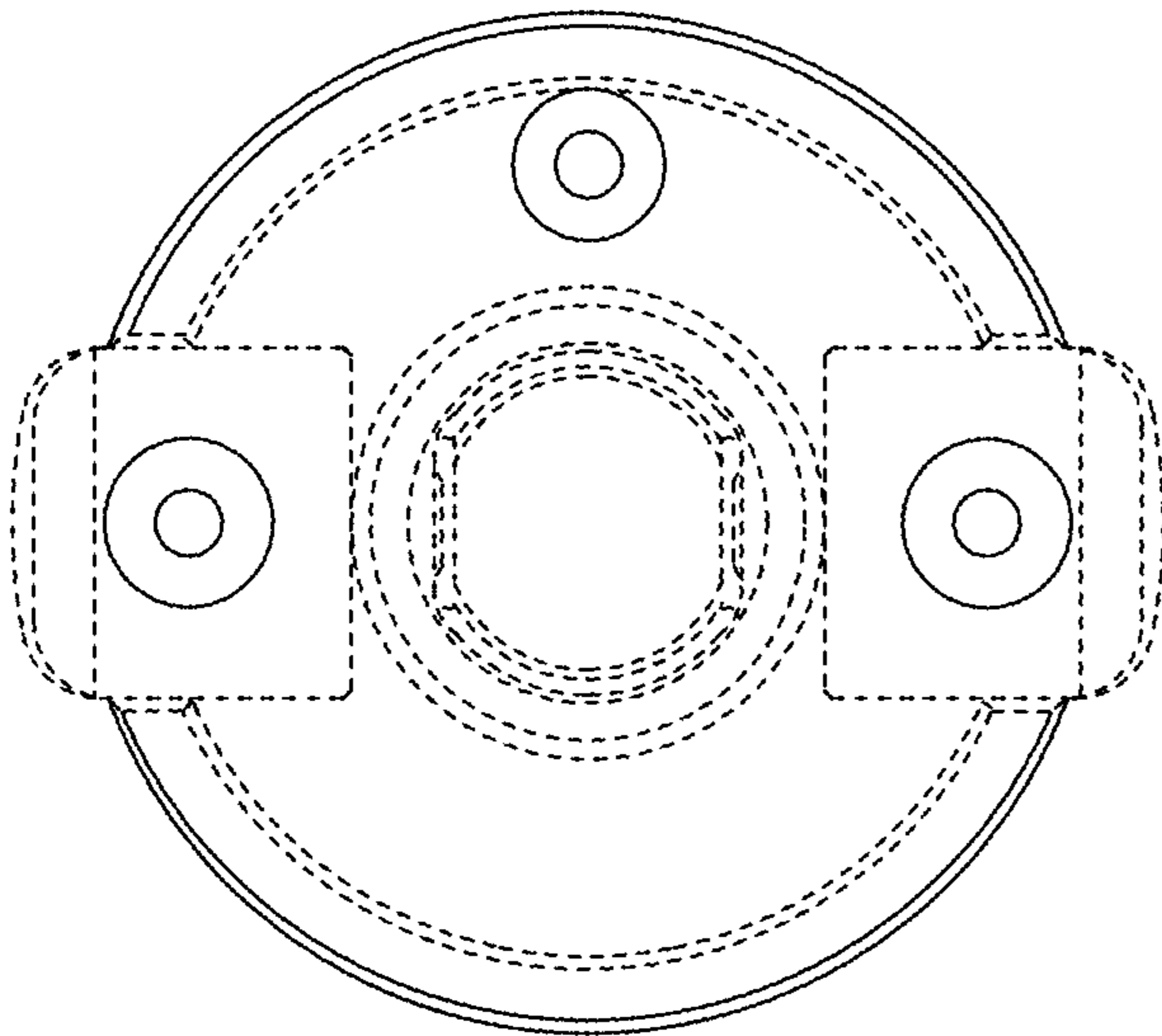


Fig. 2

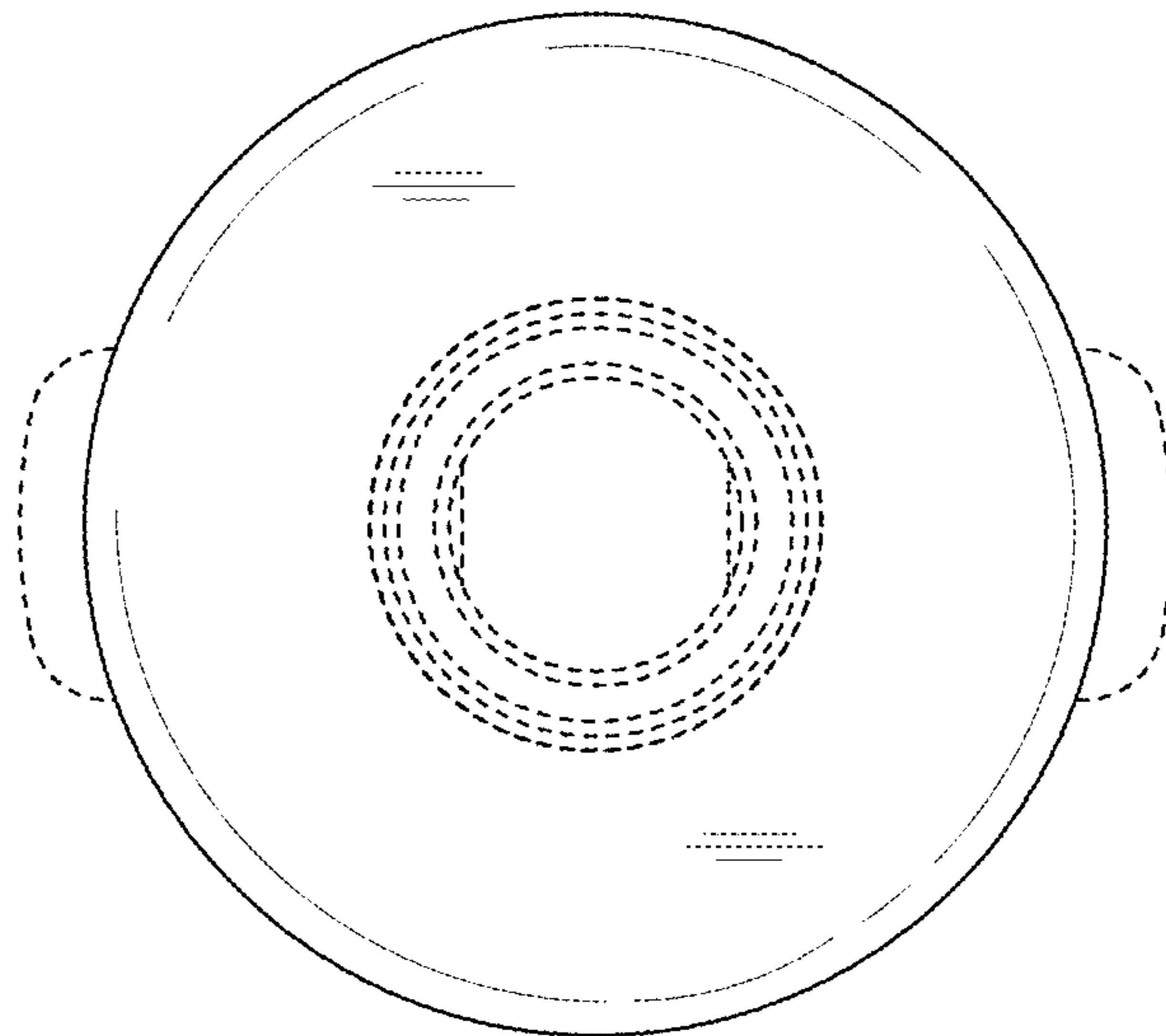


Fig. 3

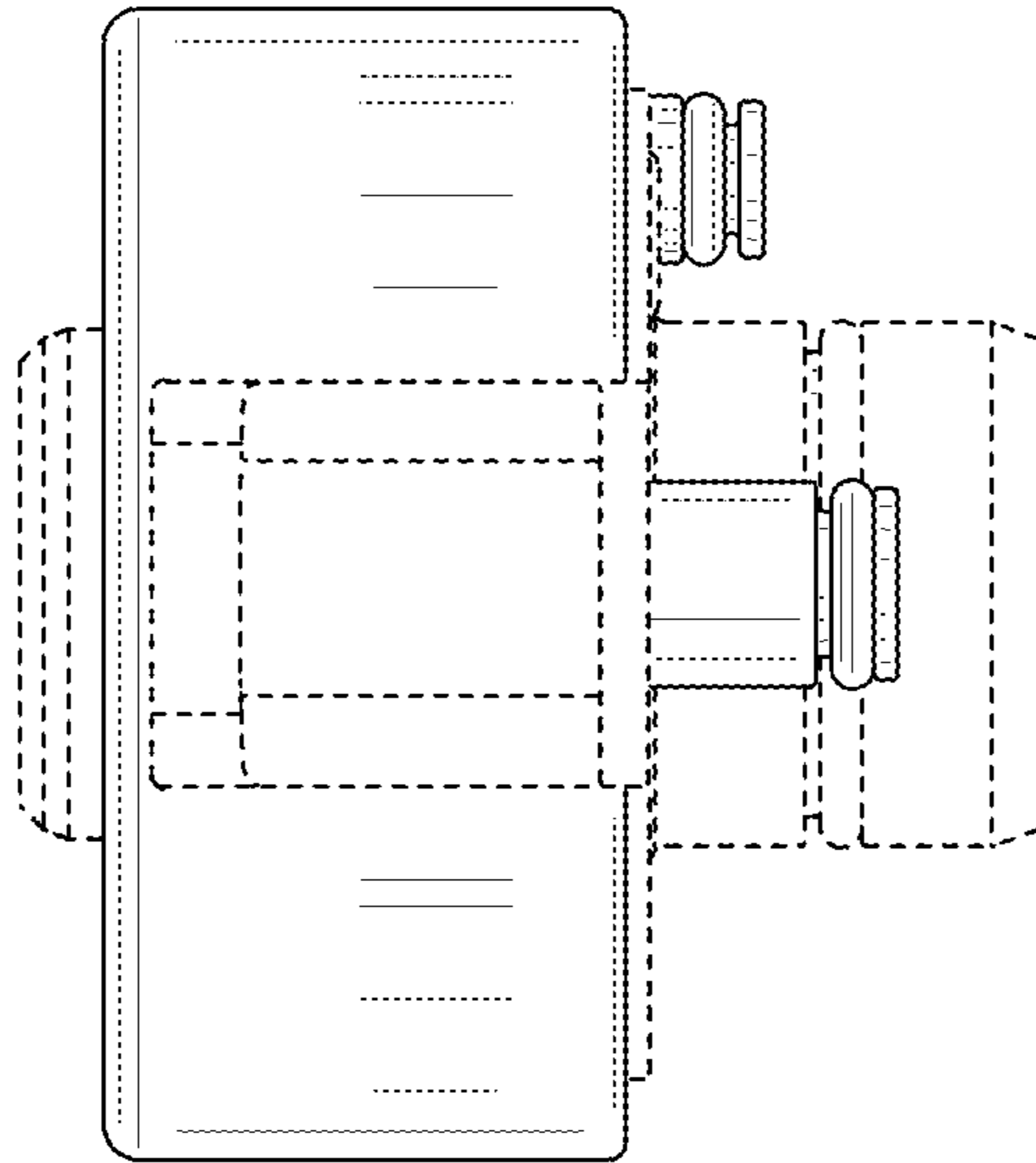


Fig. 4

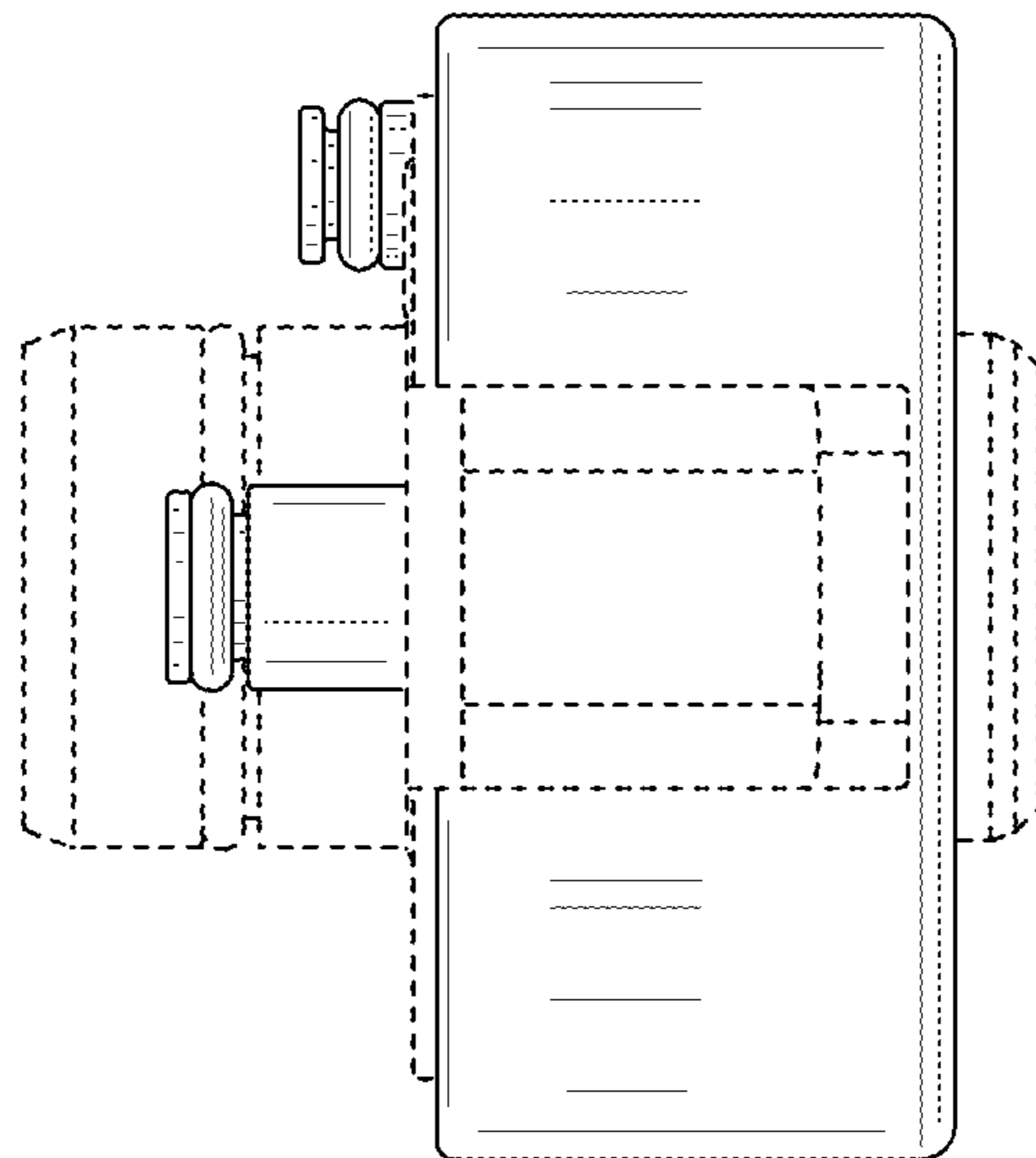


Fig. 5

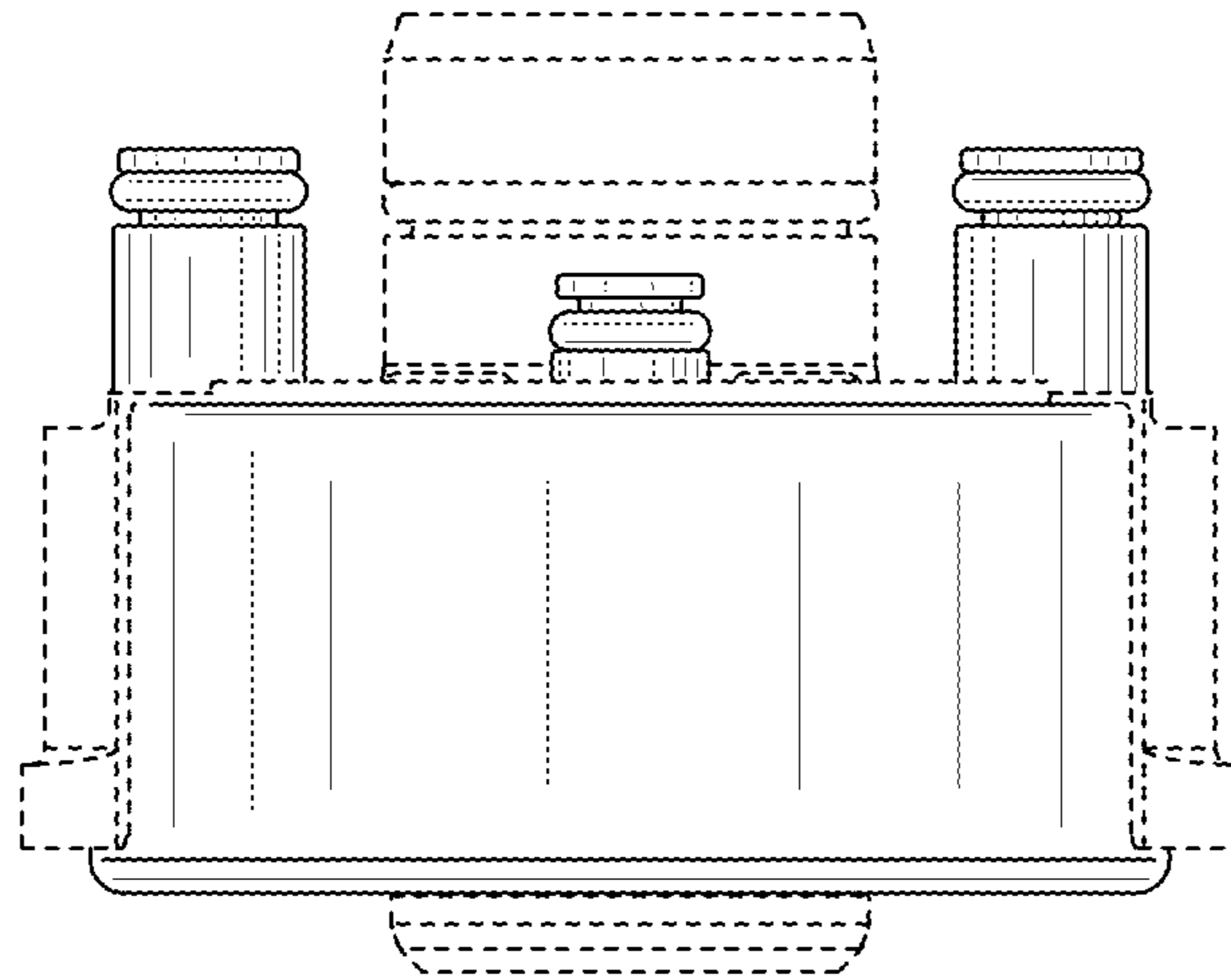


Fig. 6

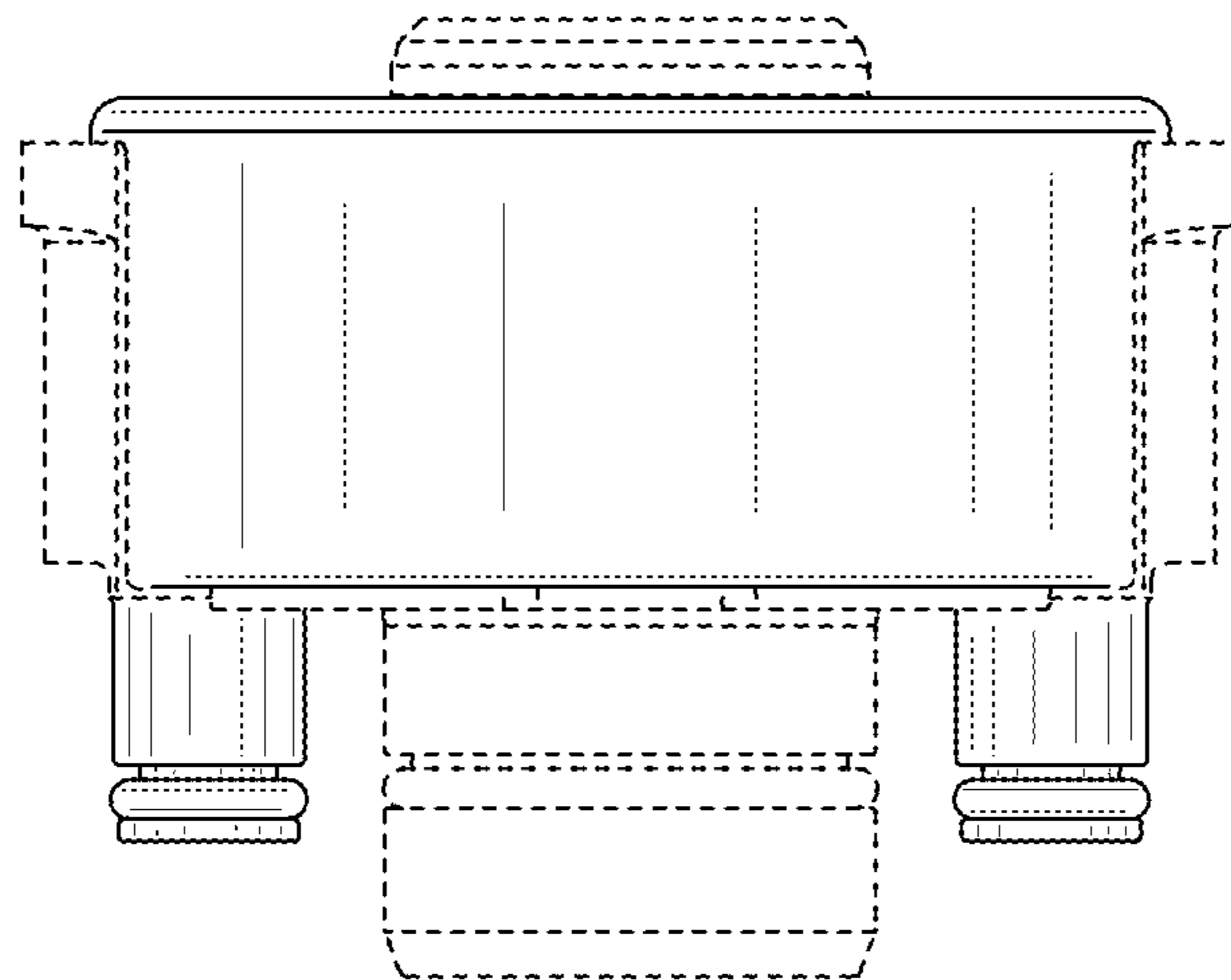


Fig. 7