



US00D956919S

(12) **United States Design Patent**
Tian

(10) **Patent No.:** **US D956,919 S**
(45) **Date of Patent:** **** Jul. 5, 2022**

(54) **MOUSE SNAP TRAP**

(71) Applicant: **Yumei Tian**, Dongguan (CN)

(72) Inventor: **Yumei Tian**, Dongguan (CN)

(**) Term: **15 Years**

(21) Appl. No.: **29/757,314**

(22) Filed: **Nov. 5, 2020**

(51) **LOC (13) Cl.** **22-06**

(52) **U.S. Cl.**
USPC **D22/119**

(58) **Field of Classification Search**

USPC D22/119, 122; 43/62

CPC A01M 23/00; A01M 23/04; A01M 23/08;
A01M 23/16; A01M 23/22; A01M 23/30;
A01M 29/00; A01K 29/00

See application file for complete search history.

(56) **References Cited**

U.S. PATENT DOCUMENTS

1,891,737	A *	12/1932	Stilson	A01M 23/30 43/83.5
2,724,209	A *	11/1955	Cain	A01M 23/30 43/83.5
7,506,471	B2 *	3/2009	Rodgers	A01M 23/16 43/88
D616,958	S *	6/2010	Huang	D22/119
D671,186	S *	11/2012	Dobias	D22/119
9,210,924	B1 *	12/2015	Terrell	A01M 1/2027
D912,193	S *	3/2021	Yang	D22/119
D925,000	S *	7/2021	Daniil	D22/119
2008/0072475	A1 *	3/2008	Nelson	A01M 25/004 43/131

OTHER PUBLICATIONS

https://www.amazon.com/Mouse-Traps-Reusable-Mousetrap-Outdoor/dp/B092HG2HML/ref=sr_1_3?crid=2MP8N07SUJ4HX&keywords=mouse+traps+-+mouse+traps+indoor+for+home-best+mice+traps+for+house+-+mouse+traps+no+see+kill+-small+reusable+snap+mousetrap+that+work+outdoor+-+rat+trap+for+house+-+rat+killer+-pest+control+traps%2Caps%2C142&sr=8-3 (Year: 2021).*

* cited by examiner

Primary Examiner — Catherine R Oliver-Garcia

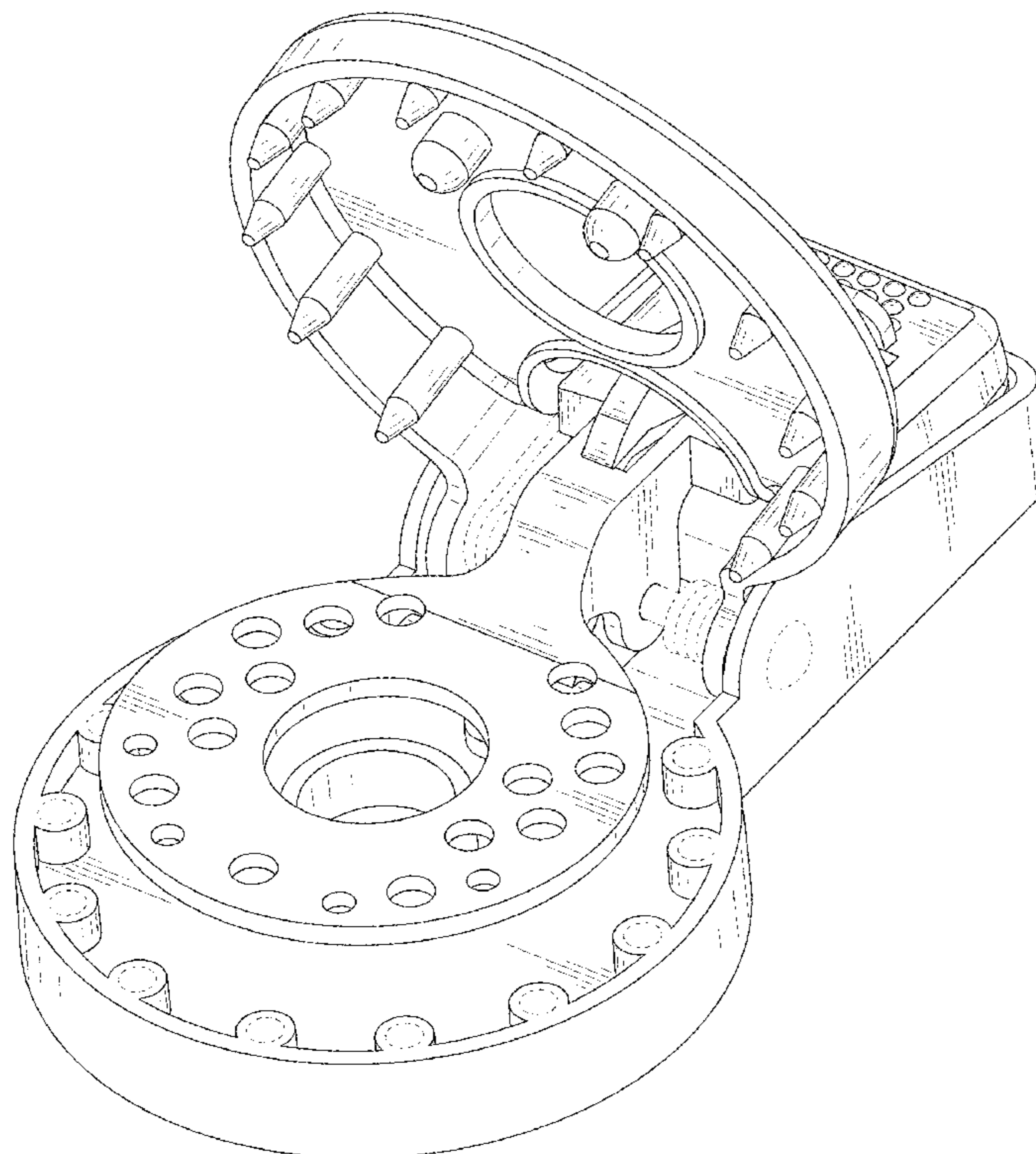
(57) **CLAIM**

The ornamental design for a mouse snap trap, as shown and described.

DESCRIPTION

FIG. 1 is a perspective view of a mouse snap trap showing my new design;
FIG. 2 is another perspective view thereof;
FIG. 3 is a front elevational view thereof;
FIG. 4 is a rear elevational view thereof;
FIG. 5 is a left side elevational view thereof;
FIG. 6 is a right side elevational view thereof;
FIG. 7 is a top plan view thereof; and,
FIG. 8 is a bottom plan view thereof.
The broken lines in the drawings depict portions of the mouse snap trap that form no part of the claimed design.

1 Claim, 8 Drawing Sheets



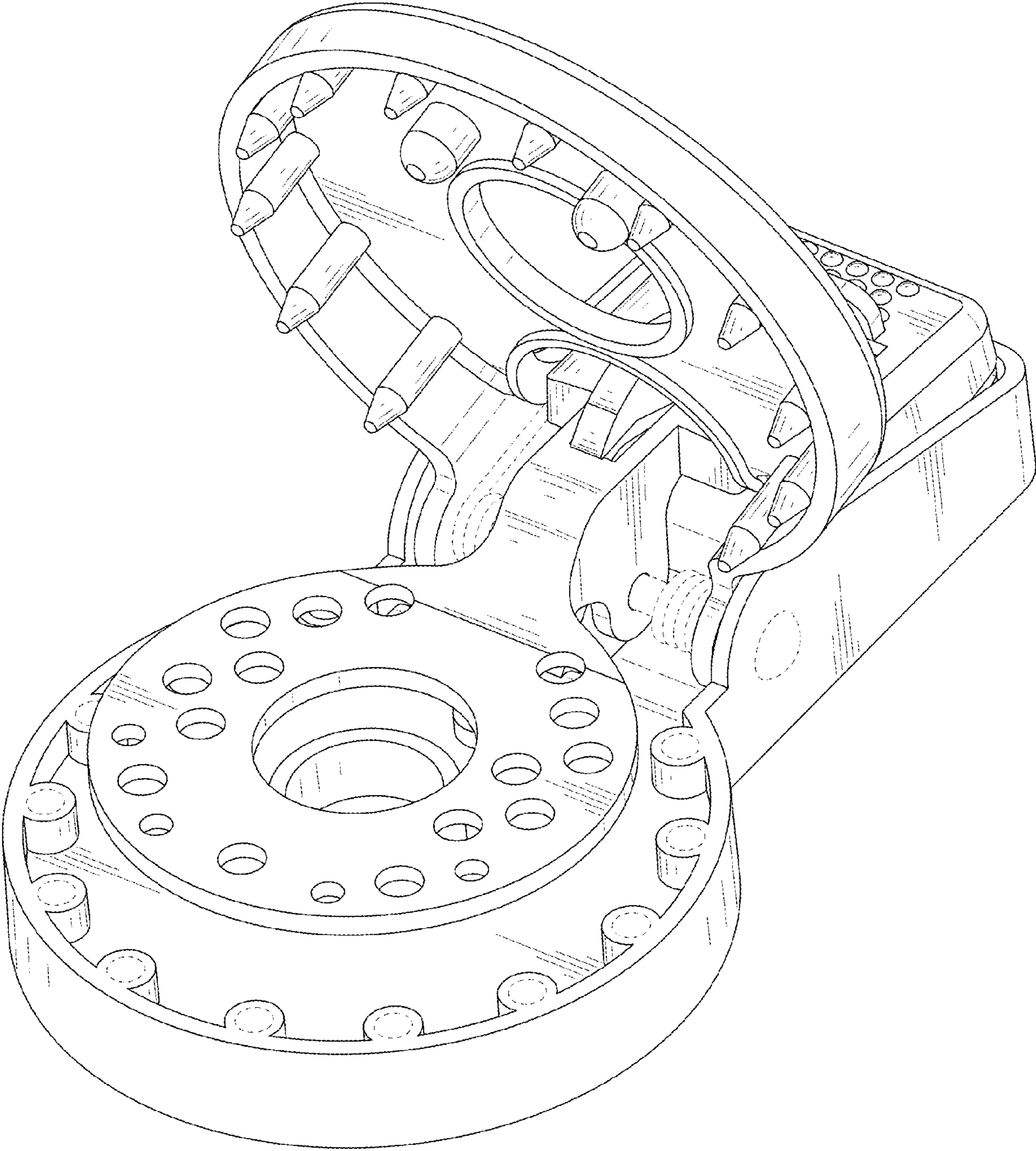


FIG. 1

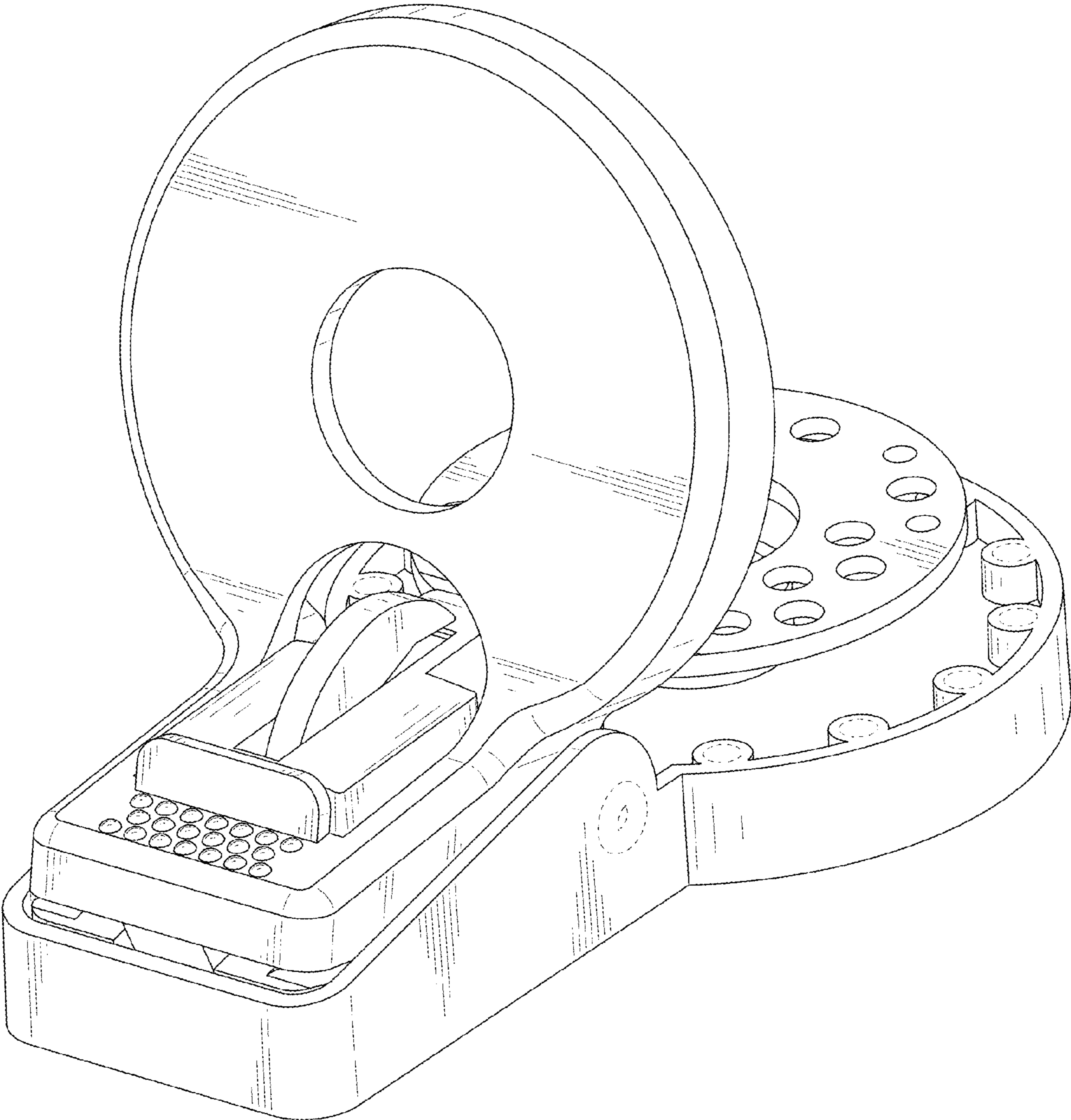


FIG. 2

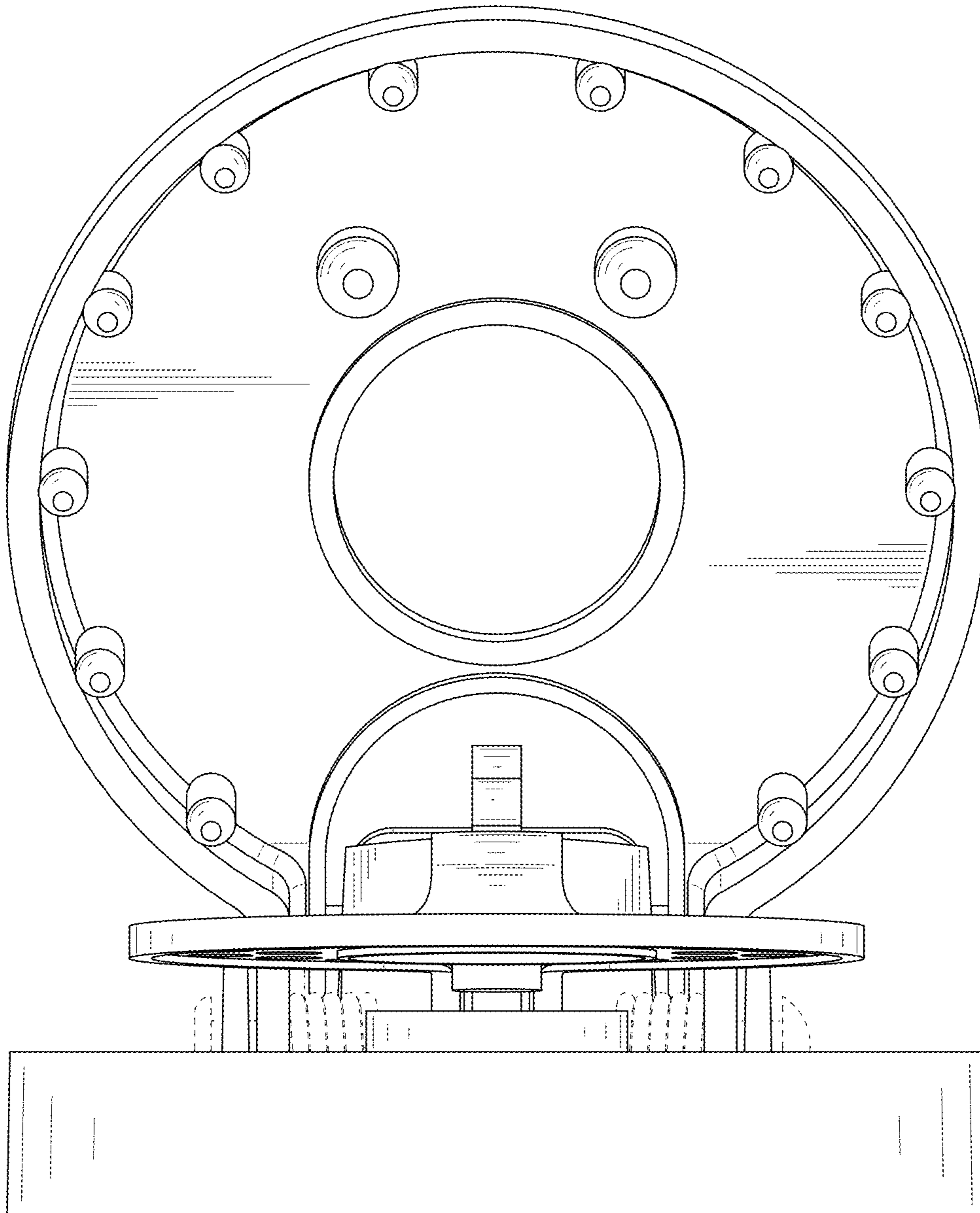


FIG. 3

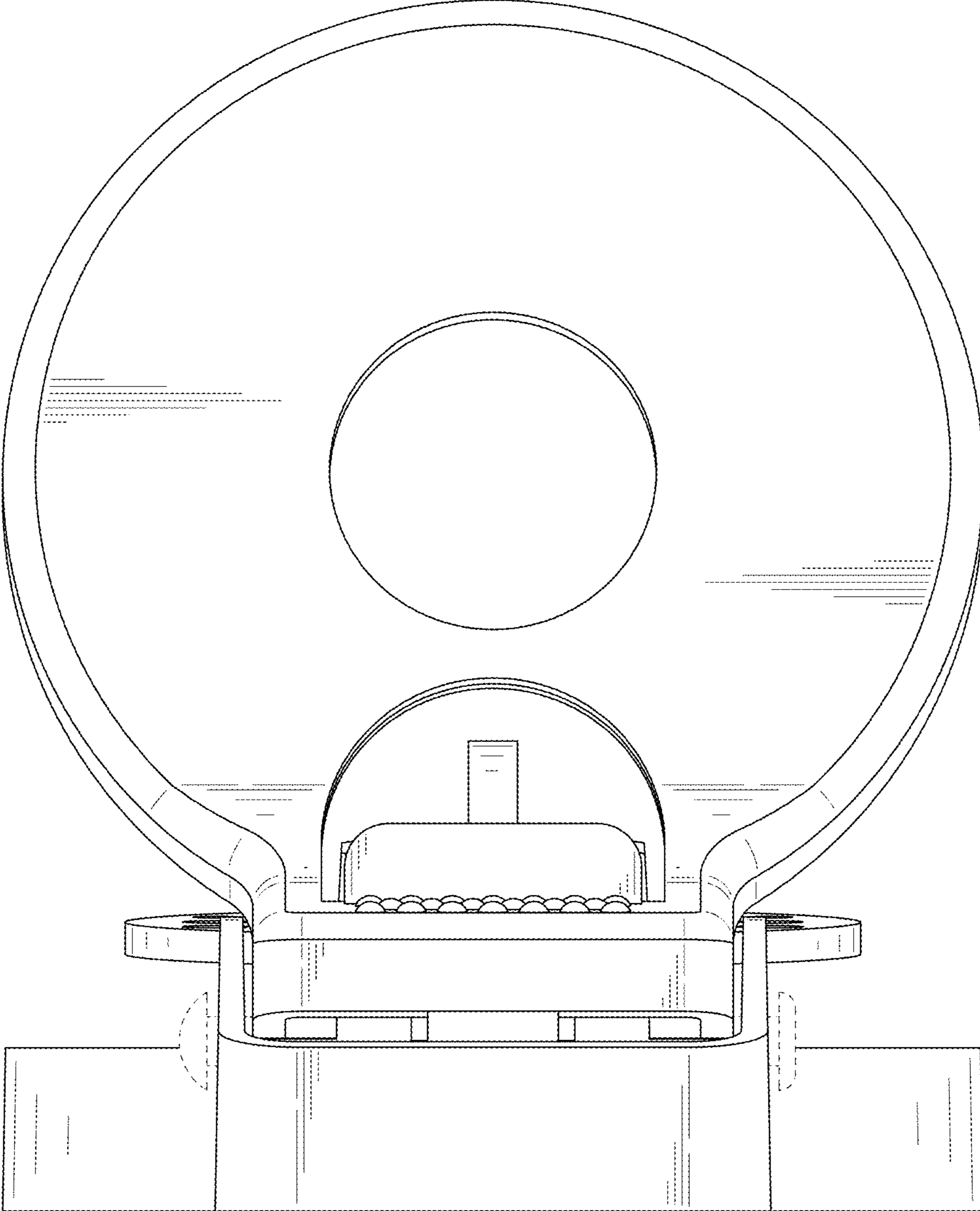


FIG. 4

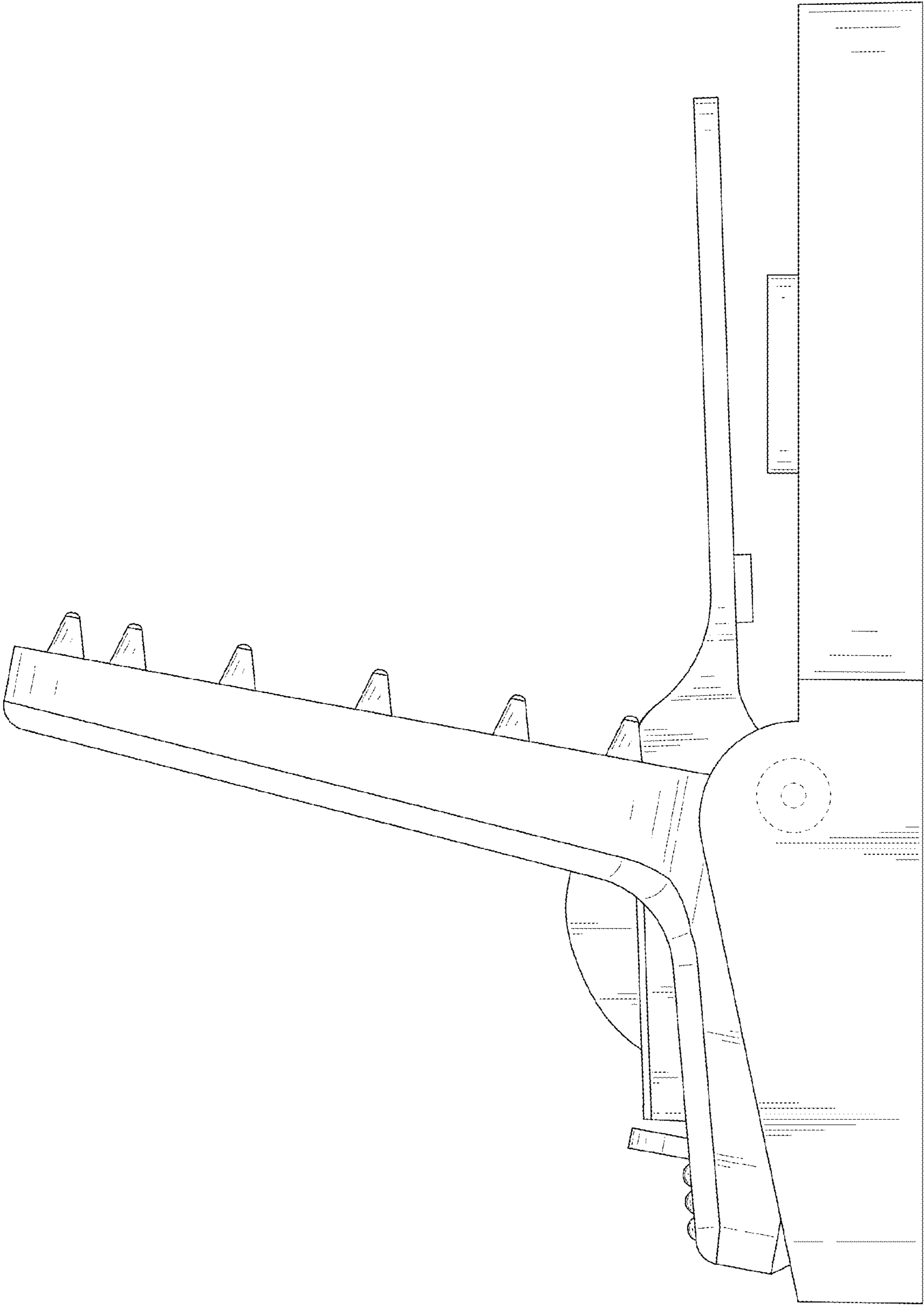


FIG. 5

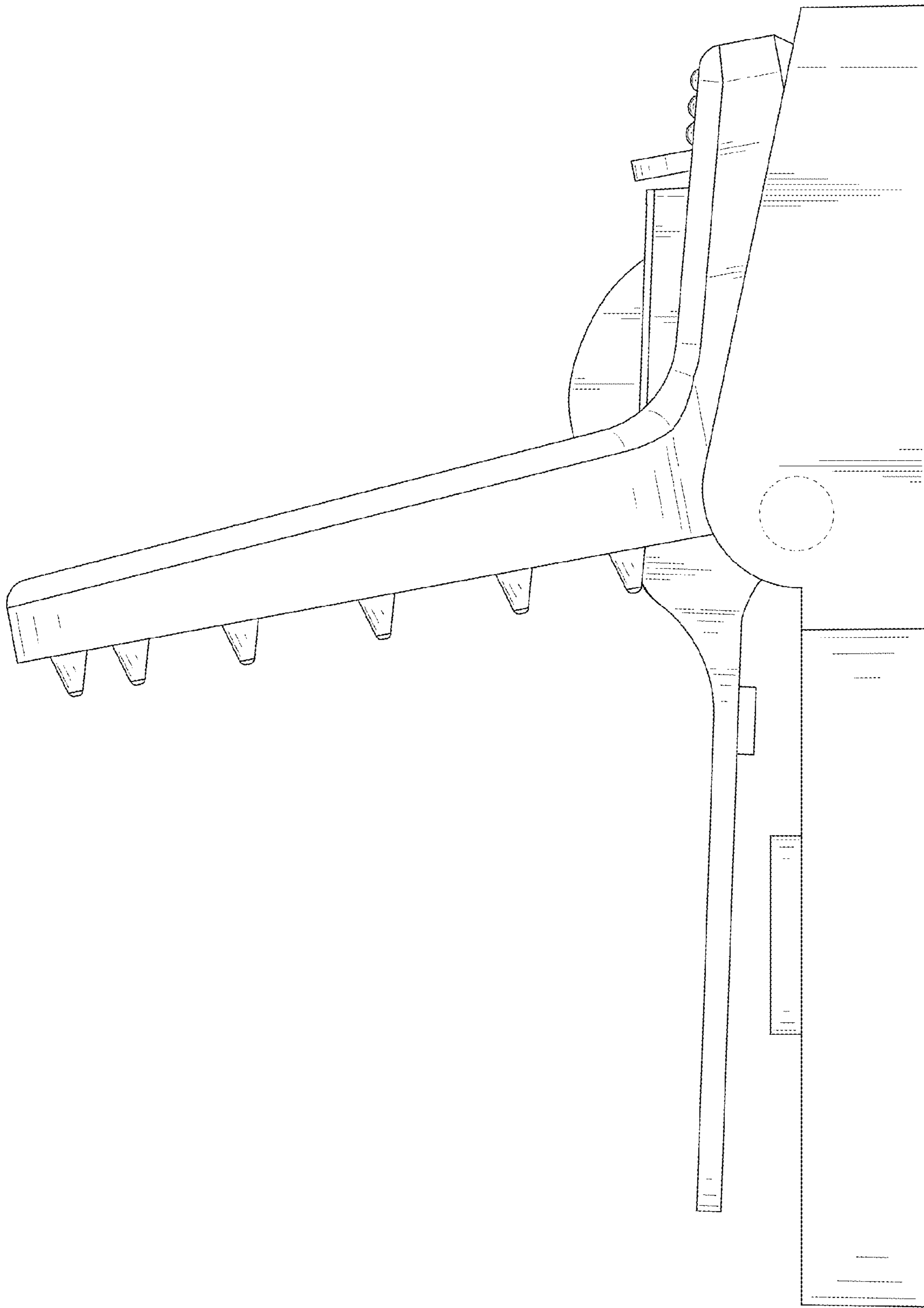


FIG. 6

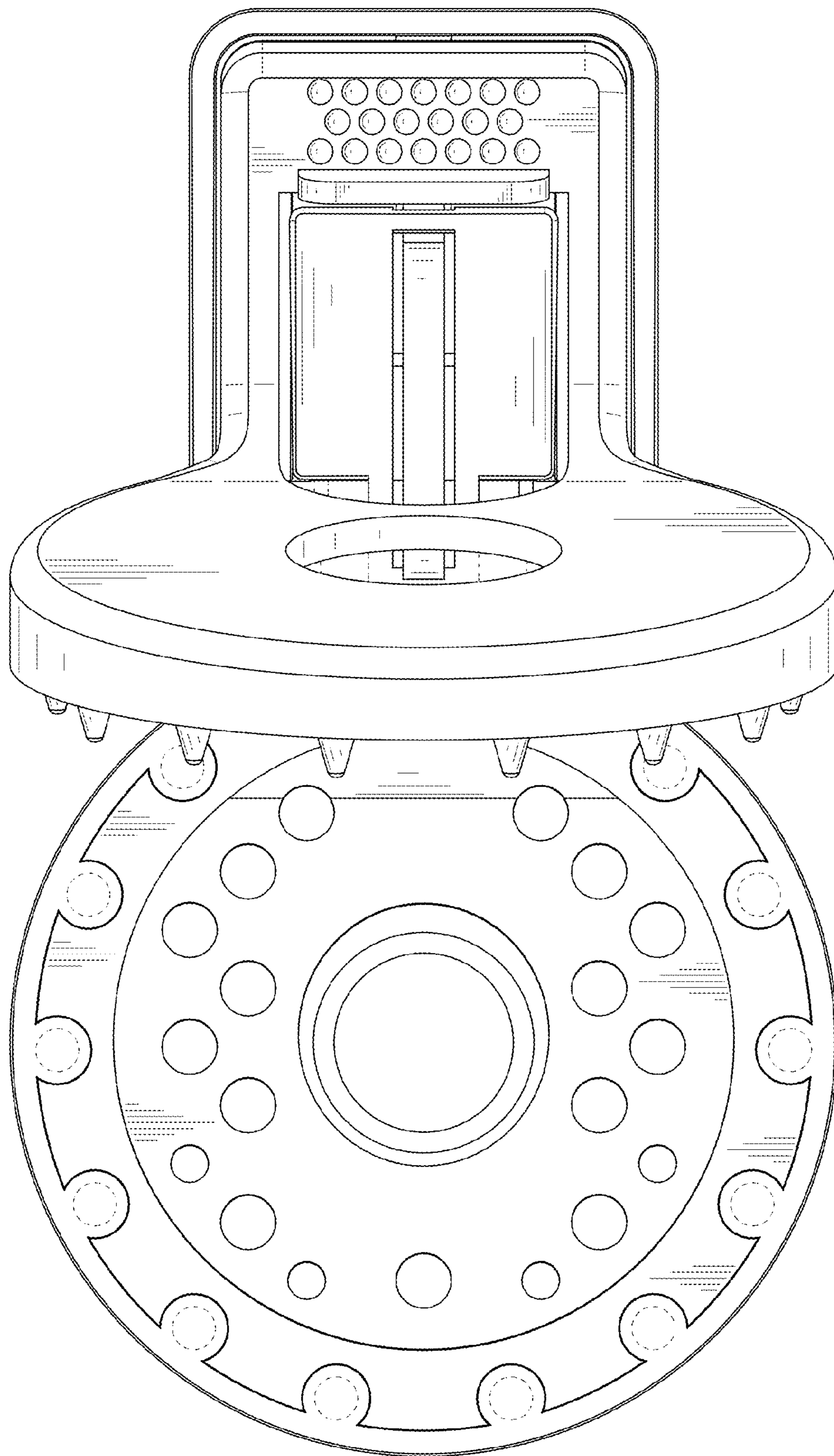


FIG. 7

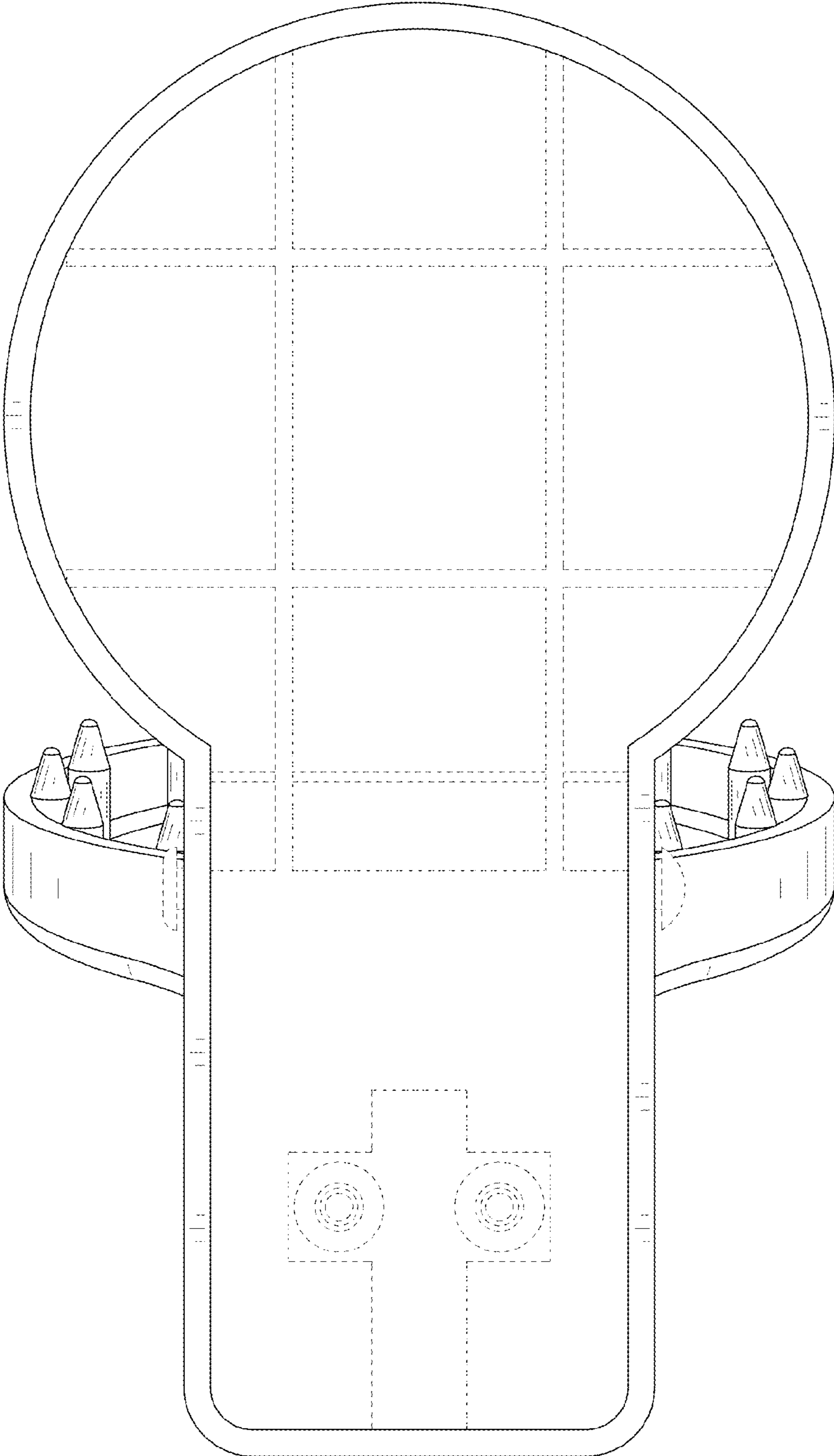


FIG. 8