



US00D956918S

(12) **United States Design Patent**
Cahill et al.

(10) **Patent No.:** **US D956,918 S**
(45) **Date of Patent:** **** Jul. 5, 2022**

(54) **SLIDE RACKING ASSIST DEVICE**

D704,791 S * 5/2014 Fitzpatrick D22/108
D729,337 S * 5/2015 Boone D22/108
D730,474 S * 5/2015 Ding D22/108
9,222,749 B1 * 12/2015 Nakayama F41C 23/16

(71) Applicant: **TangoDown Inc.**, Tucson, AZ (US)

(72) Inventors: **Jeffrey Matthew Cahill**, Tucson, AZ (US); **Daniel Michel**, Diamond Bar, CA (US)

(73) Assignee: **TangoDown Inc.**, Tucson, AZ (US)

(**) Term: **15 Years**

(21) Appl. No.: **29/764,701**

(22) Filed: **Dec. 31, 2020**

(51) **LOC (13) Cl.** **22-01**

(52) **U.S. Cl.**
USPC **D22/108**

(58) **Field of Classification Search**
USPC D22/100, 103, 108, 109, 110, 199;
D16/130
CPC . F41G 11/003; F41G 1/14; F41G 1/38; F41G
1/16; F41G 1/02; F41G 1/06; F41A
23/005; F41C 23/16
See application file for complete search history.

(56) **References Cited**

U.S. PATENT DOCUMENTS

D625,378 S * 10/2010 Fitzpatrick D22/108
D644,706 S * 9/2011 Trusty D22/108
D652,470 S * 1/2012 Trusty D22/108
D652,887 S * 1/2012 Trusty D22/108
D655,776 S * 3/2012 Trusty D22/108
D667,917 S * 9/2012 Fitzpatrick D22/108
D691,235 S * 10/2013 Fitzpatrick D22/108
D704,789 S * 5/2014 Fitzpatrick D22/108

OTHER PUBLICATIONS

“Vickers Tactical Slide Racker For Gen5 Glocks” [online]. Ray I. [Published on May 16, 2018]. Retrieved from the Internet: <<https://www.thefirearmblog.com/blog/2018/05/16/vickers-tactical-glock-slide-racker/>>.*

“TacRack Slide Racking Aid” [online]. Ray I. [Published on May 15, 2015]. Retrieved from the Internet: <<https://www.thefirearmblog.com/blog/2015/05/15/tacrack-slide-racking-aid/>>.*

* cited by examiner

Primary Examiner — Mojtaba Tehrani

(74) *Attorney, Agent, or Firm* — Crump Law P.C.

(57) **CLAIM**

The ornamental design for a slide racking assist device, as shown and described.

DESCRIPTION

FIG. 1 is a perspective view of a slide racking assist device showing my design;

FIG. 2 is a rear perspective view thereof;

FIG. 3 is a front view thereof;

FIG. 4 is a rear view thereof;

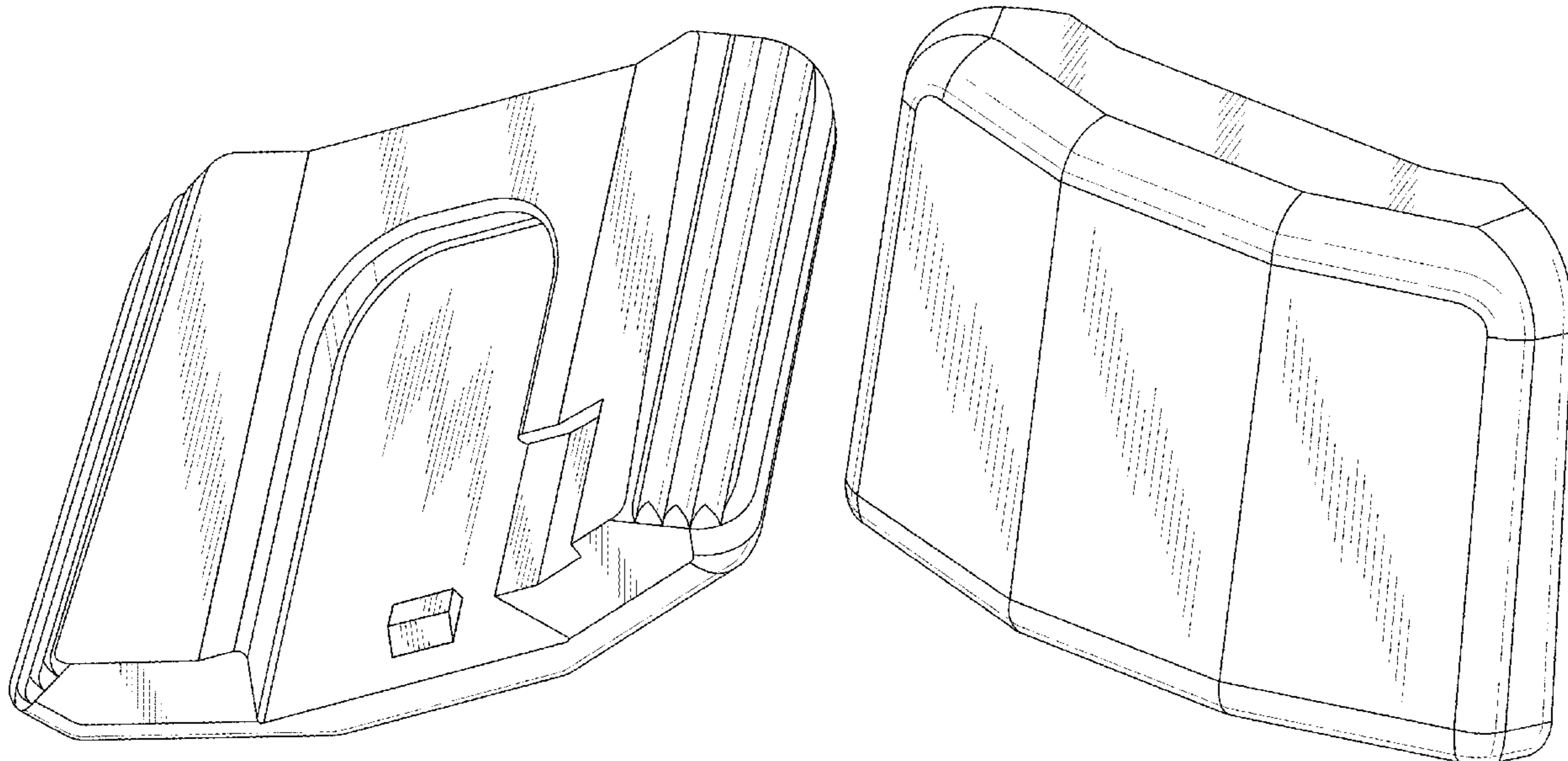
FIG. 5 is a right side view thereof;

FIG. 6 is a left side view thereof;

FIG. 7 is a top view thereof; and,

FIG. 8 is a bottom view thereof.

1 Claim, 7 Drawing Sheets



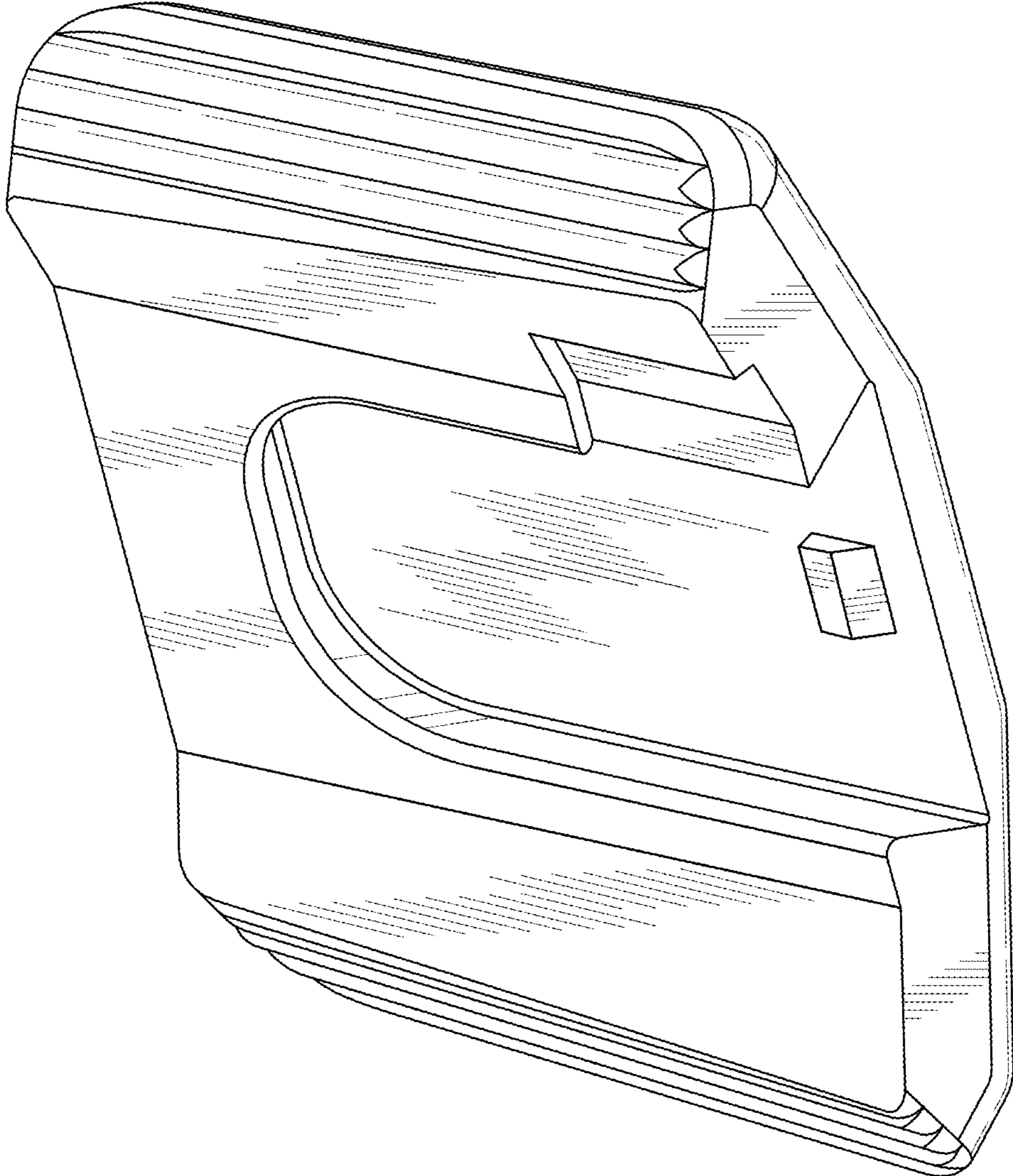


Fig. 1

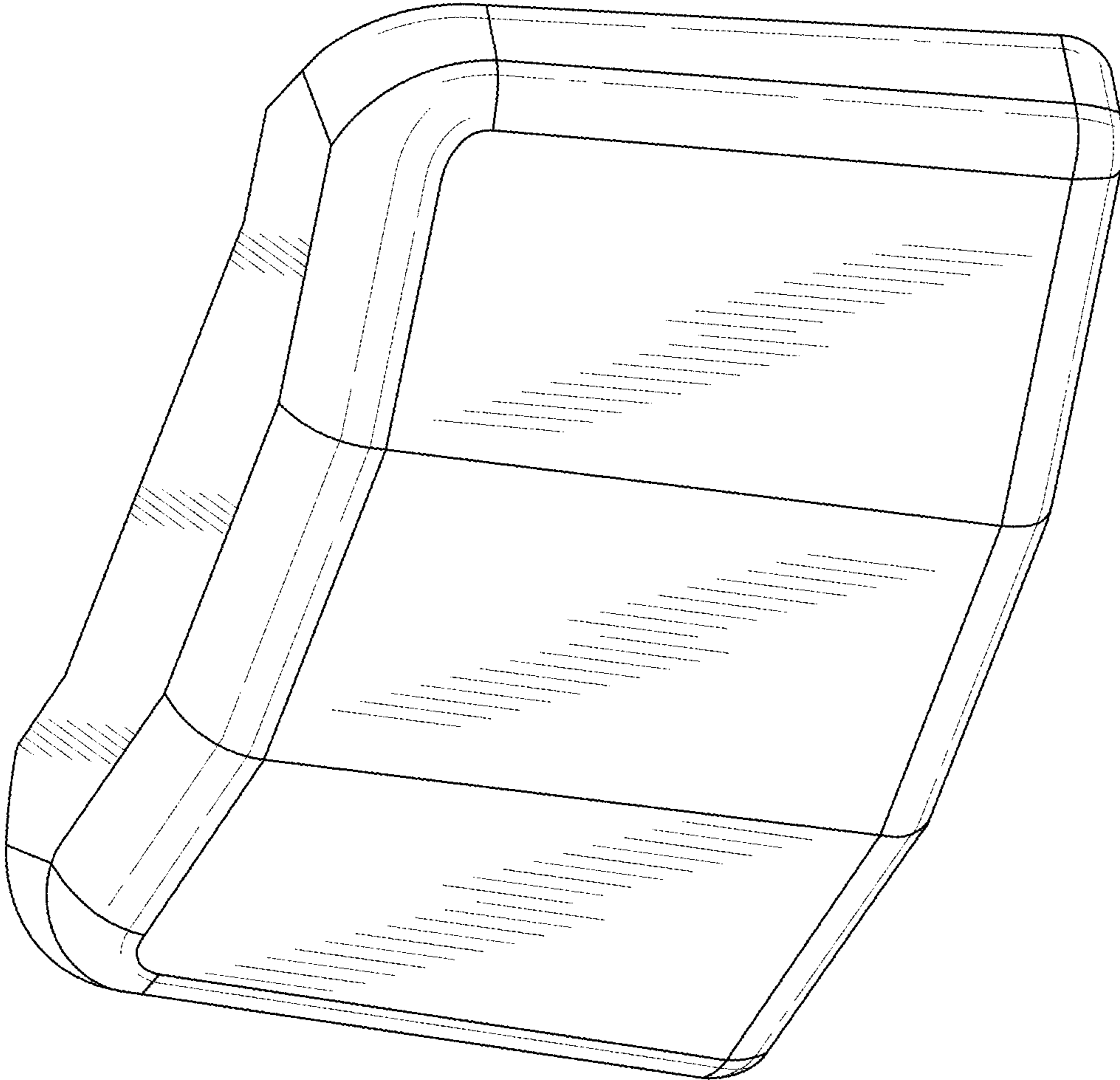


Fig. 2

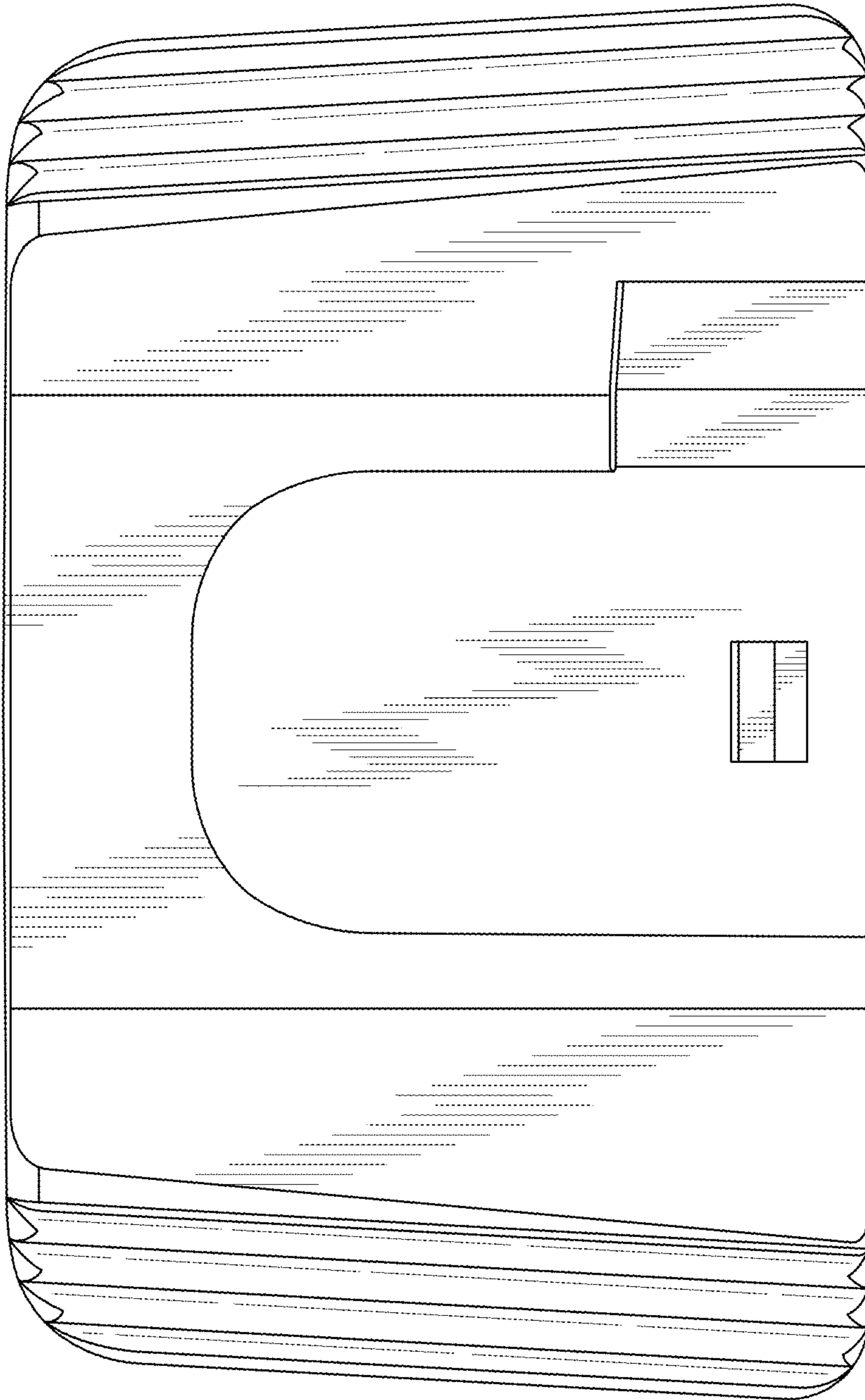


Fig. 3

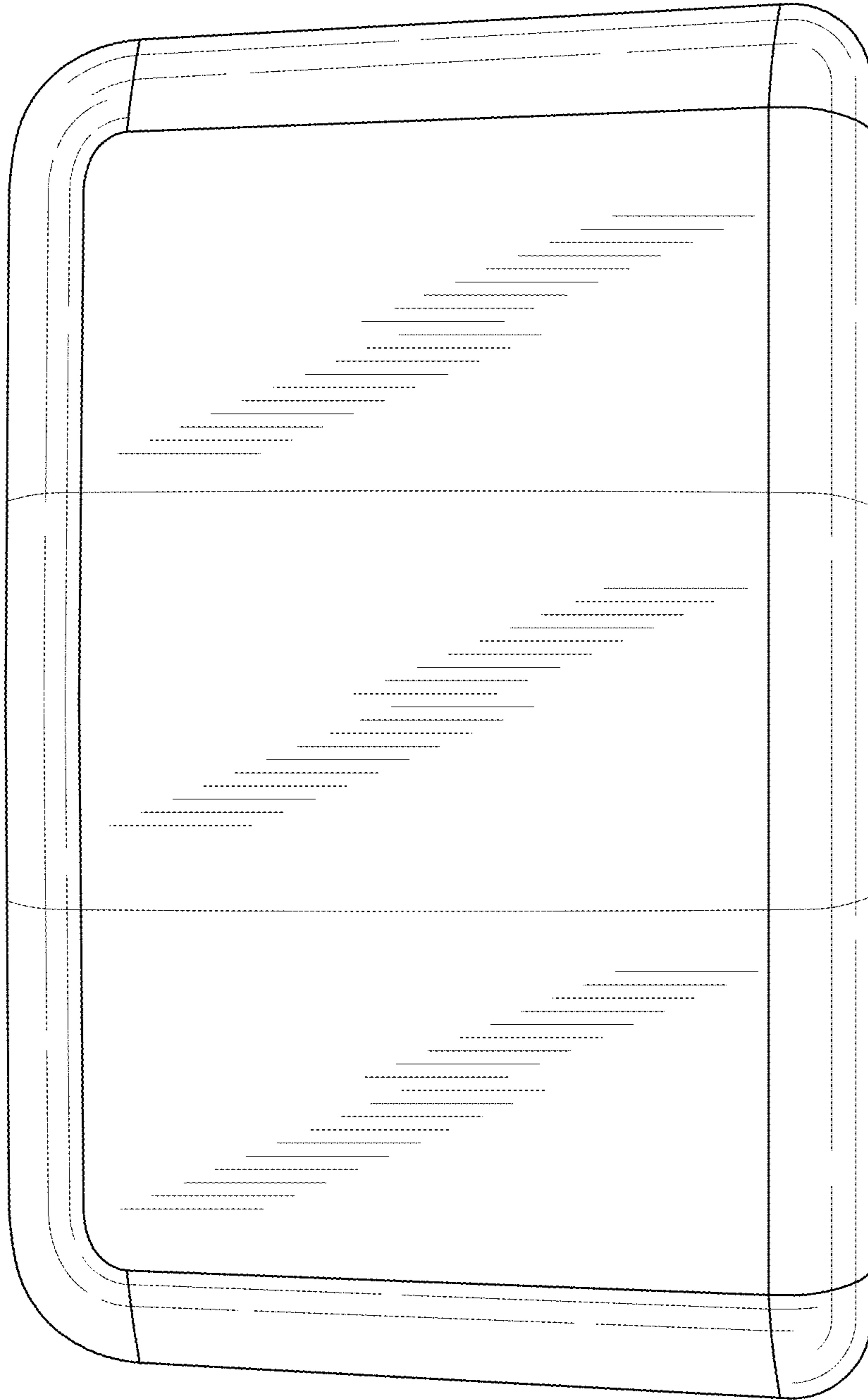


Fig. 4

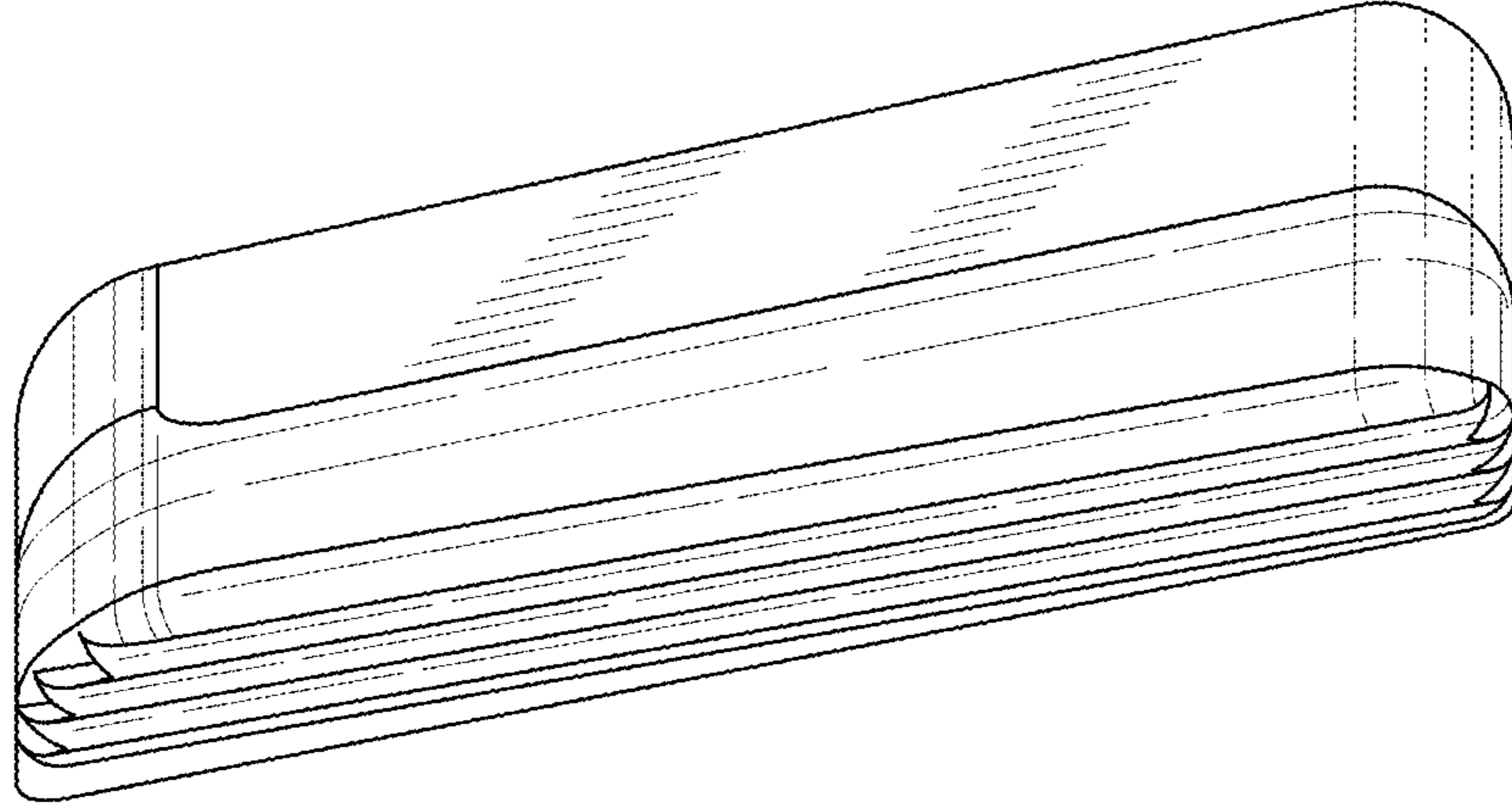


Fig. 6

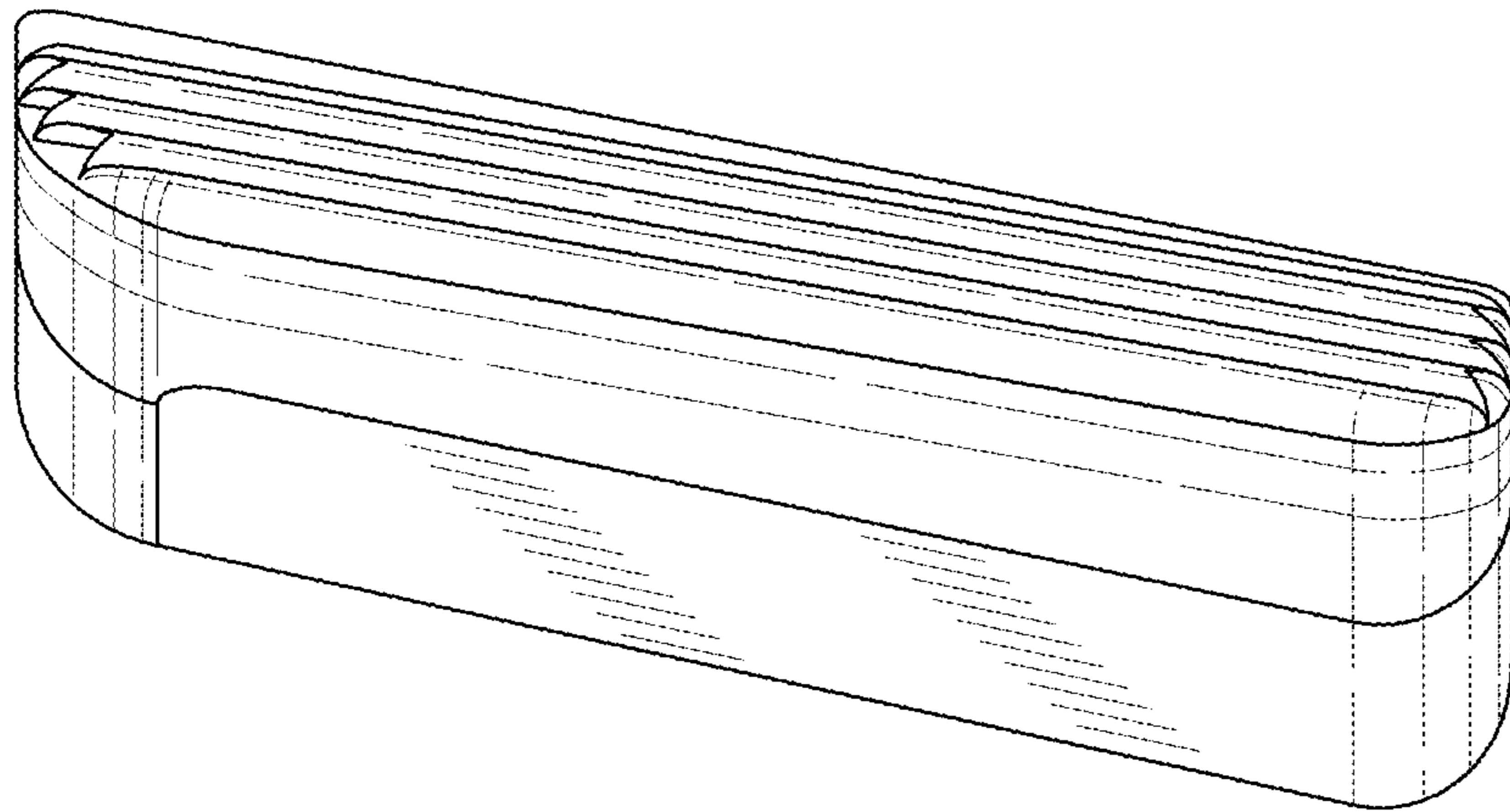


Fig. 5

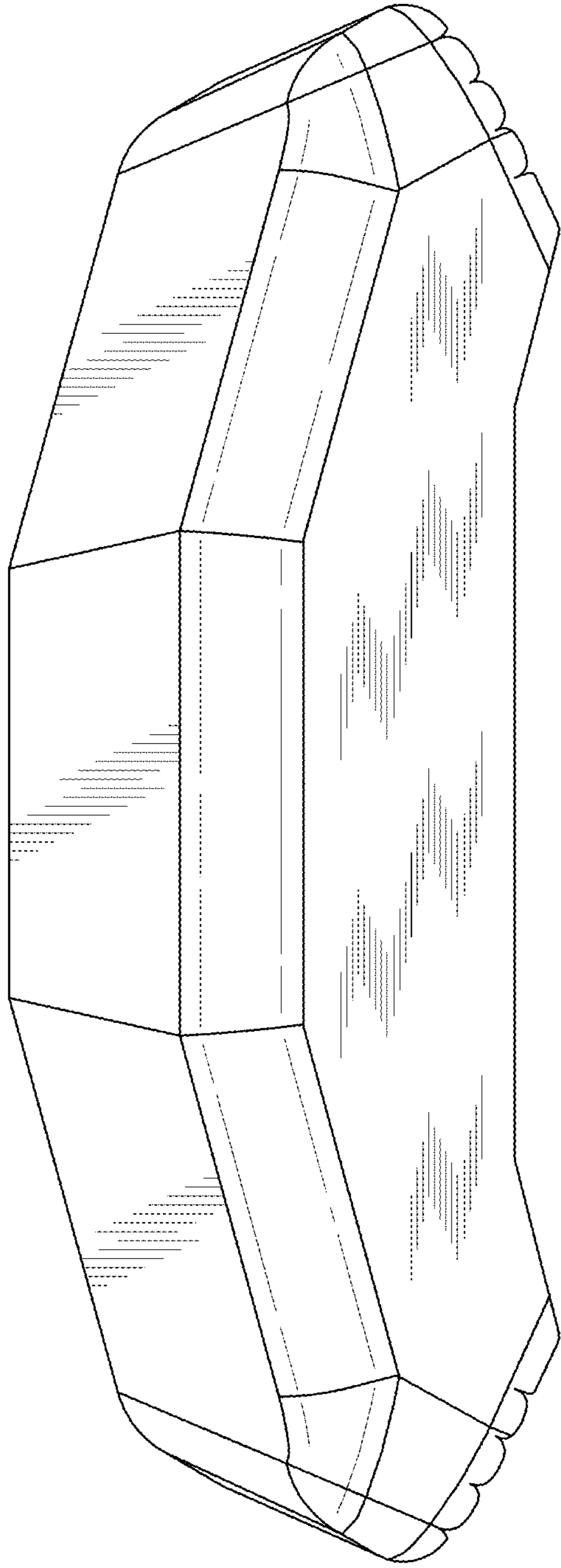


Fig. 7

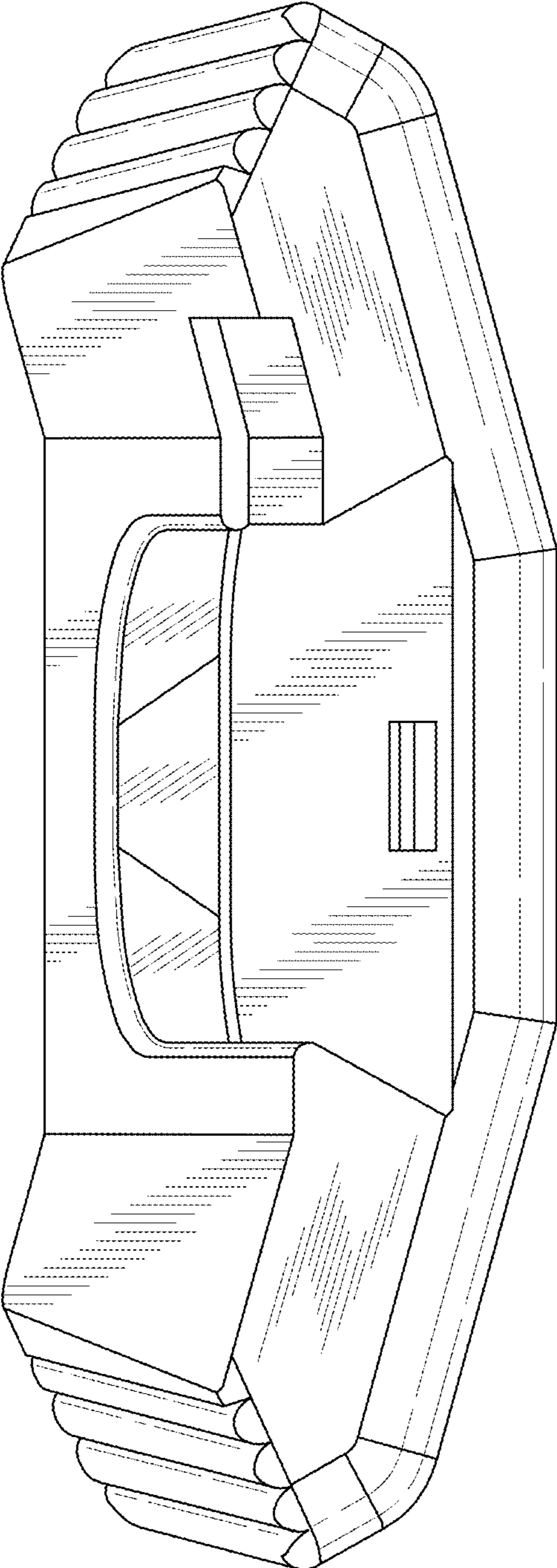


Fig. 8