



US00D956916S

(12) **United States Design Patent** (10) **Patent No.:** **US D956,916 S**  
**Qian** (45) **Date of Patent:** **\*\* Jul. 5, 2022**

(54) **INFLATABLE BOUNCE HOUSE**  
(71) Applicant: **Junsheng Qian**, Zhengzhou (CN)  
(72) Inventor: **Junsheng Qian**, Zhengzhou (CN)  
(\*\*) Term: **15 Years**  
(21) Appl. No.: **29/752,750**  
(22) Filed: **Sep. 29, 2020**  
(30) **Foreign Application Priority Data**

Jun. 11, 2020 (CN) ..... 202030296033.1

(51) **LOC (13) Cl.** ..... **21-03**  
(52) **U.S. Cl.**  
USPC ..... **D21/835**; D21/818  
(58) **Field of Classification Search**  
USPC ..... D21/811, 814, 818-822, 835  
CPC ..... A63G 21/00-21/22; A63G 31/00; A63G  
31/12  
See application file for complete search history.

(56) **References Cited**

**U.S. PATENT DOCUMENTS**

D328,326 S \* 7/1992 Kuan ..... D21/818  
D340,965 S \* 11/1993 Lee ..... D21/818  
D389,217 S \* 1/1998 Rubio ..... D21/814  
D422,667 S \* 4/2000 Lau ..... D21/814  
D437,022 S \* 1/2001 Gourchounian ..... D21/835  
D437,023 S \* 1/2001 Gourchounian ..... D21/835  
D437,380 S \* 2/2001 Gourchounian ..... D21/835  
D439,946 S \* 4/2001 Gourchounian ..... D21/835  
D478,955 S \* 8/2003 Chen ..... D21/814  
D511,363 S \* 11/2005 Nicholson ..... D21/818  
D522,082 S \* 5/2006 Peterson ..... D21/818  
D540,413 S \* 4/2007 McKee ..... D21/818  
D556,287 S \* 11/2007 Robinson ..... D21/819  
D556,288 S \* 11/2007 Robinson ..... D21/815  
7,300,354 B2 \* 11/2007 Field ..... A63G 31/12  
472/117

D556,849 S \* 12/2007 Ferraro, Sr. .... D21/815  
D557,368 S \* 12/2007 Berenson ..... D21/818  
D557,369 S \* 12/2007 Robinson ..... D21/818  
D595,801 S \* 7/2009 Boulton ..... D21/819  
D595,802 S \* 7/2009 Boulton ..... D21/835  
D597,163 S \* 7/2009 Boulton ..... D21/819  
D597,624 S \* 8/2009 Boulton ..... D21/819  
D600,769 S \* 9/2009 Xiao ..... D21/835  
D600,770 S \* 9/2009 Xiao ..... D21/835  
7,878,877 B2 \* 2/2011 Scherba ..... A63G 31/12  
446/478  
D680,184 S \* 4/2013 O'Rourke ..... D21/835  
D730,469 S \* 5/2015 Chen ..... D21/819  
D730,470 S \* 5/2015 Chen ..... D21/819  
D762,800 S \* 8/2016 Scherba ..... D21/837  
D762,801 S \* 8/2016 Scherba ..... D21/837

(Continued)

**FOREIGN PATENT DOCUMENTS**

CN 306224757 \* 7/2020  
CN 306452589 \* 11/2020

(Continued)

*Primary Examiner* — Mitchell I. Siegel

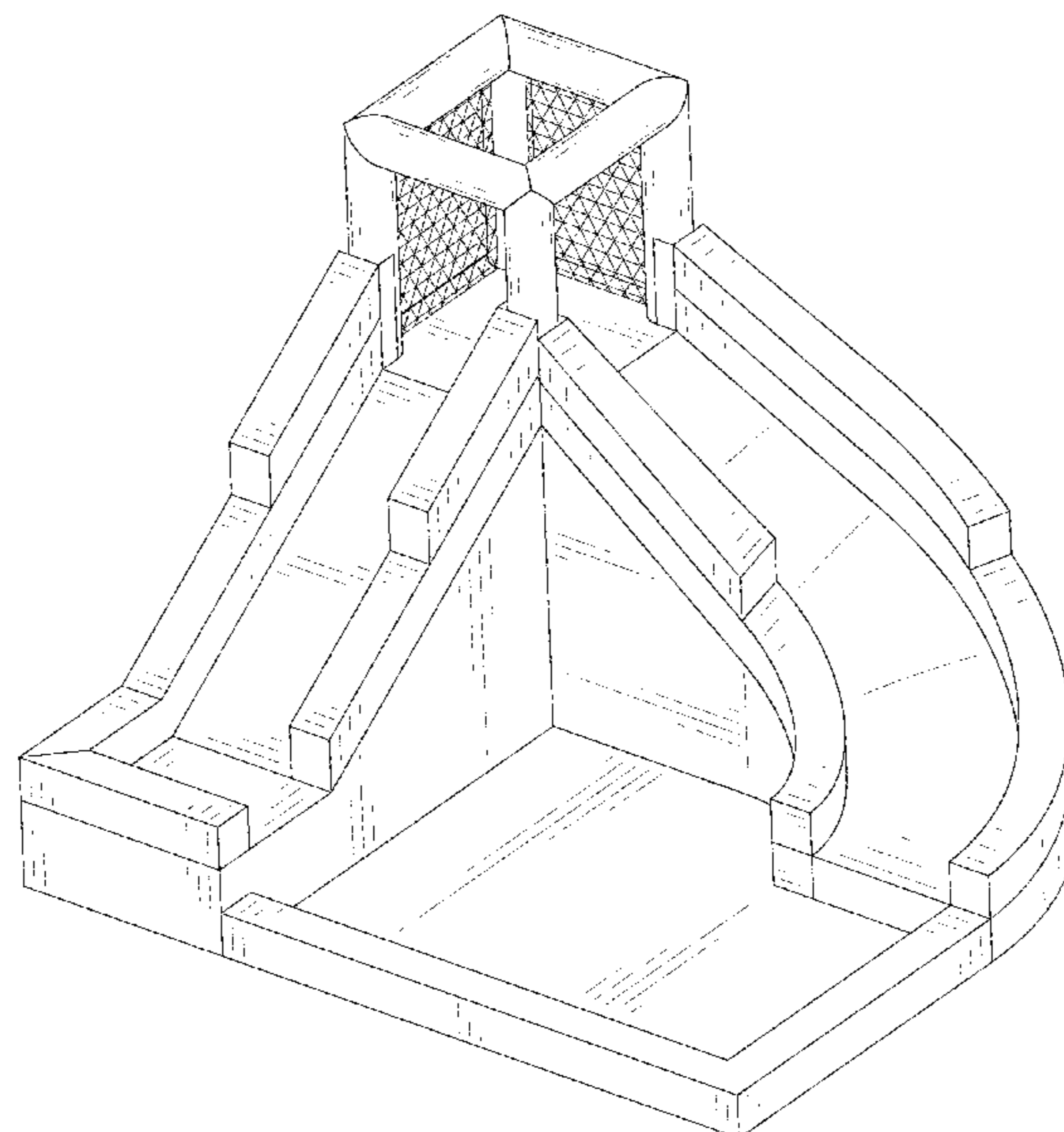
(57) **CLAIM**

The ornamental design for an inflatable bounce house, as shown and described.

**DESCRIPTION**

FIG. 1 is a perspective view of an inflatable bounce house showing my new design;  
FIG. 2 is another perspective view thereof;  
FIG. 3 is a front elevational view thereof;  
FIG. 4 is a rear elevational view thereof;  
FIG. 5 is a left side elevational view thereof;  
FIG. 6 is a right side elevational view thereof;  
FIG. 7 is a top plan view thereof; and,  
FIG. 8 is a bottom plan view thereof.

**1 Claim, 8 Drawing Sheets**



(56)

**References Cited**

U.S. PATENT DOCUMENTS

|            |    |   |         |          |       |             |
|------------|----|---|---------|----------|-------|-------------|
| D786,999   | S  | * | 5/2017  | Ochi     | ..... | D21/811     |
| D787,000   | S  | * | 5/2017  | Ochi     | ..... | D21/811     |
| D787,001   | S  | * | 5/2017  | Ochi     | ..... | D21/814     |
| 9,919,229  | B1 | * | 3/2018  | Bagumyan | ..... | A63G 31/12  |
| D815,232   | S  | * | 4/2018  | Bagumyan | ..... | D21/820     |
| D815,709   | S  | * | 4/2018  | Wang     | ..... | D21/818     |
| D822,140   | S  | * | 7/2018  | Hsu      | ..... | D21/818     |
| D822,782   | S  | * | 7/2018  | Wang     | ..... | D21/835     |
| D824,471   | S  | * | 7/2018  | Bagumyan | ..... | D21/818     |
| D825,016   | S  | * | 8/2018  | Wang     | ..... | D21/818     |
| 10,245,491 | B2 | * | 4/2019  | Scherba  | ..... | A63B 17/00  |
| D857,830   | S  | * | 8/2019  | Wang     | ..... | D21/818     |
| D862,627   | S  | * | 10/2019 | Wang     | ..... | D21/818     |
| D862,628   | S  | * | 10/2019 | Wang     | ..... | D21/818     |
| D866,698   | S  | * | 11/2019 | Wu       | ..... | D21/818     |
| D870,834   | S  | * | 12/2019 | Hsu      | ..... | D21/814     |
| D895,756   | S  | * | 9/2020  | Whincup  | ..... | D21/818     |
| 10,888,759 | B2 | * | 1/2021  | Scherba  | ..... | A63B 69/004 |
| D921,139   | S  | * | 6/2021  | Wang     | ..... | D21/735     |
| D926,907   | S  | * | 8/2021  | Wang     | ..... | D21/818     |

FOREIGN PATENT DOCUMENTS

|    |           |   |        |
|----|-----------|---|--------|
| CN | 306943806 | * | 5/2021 |
| CN | 307011864 | * | 8/2021 |

\* cited by examiner

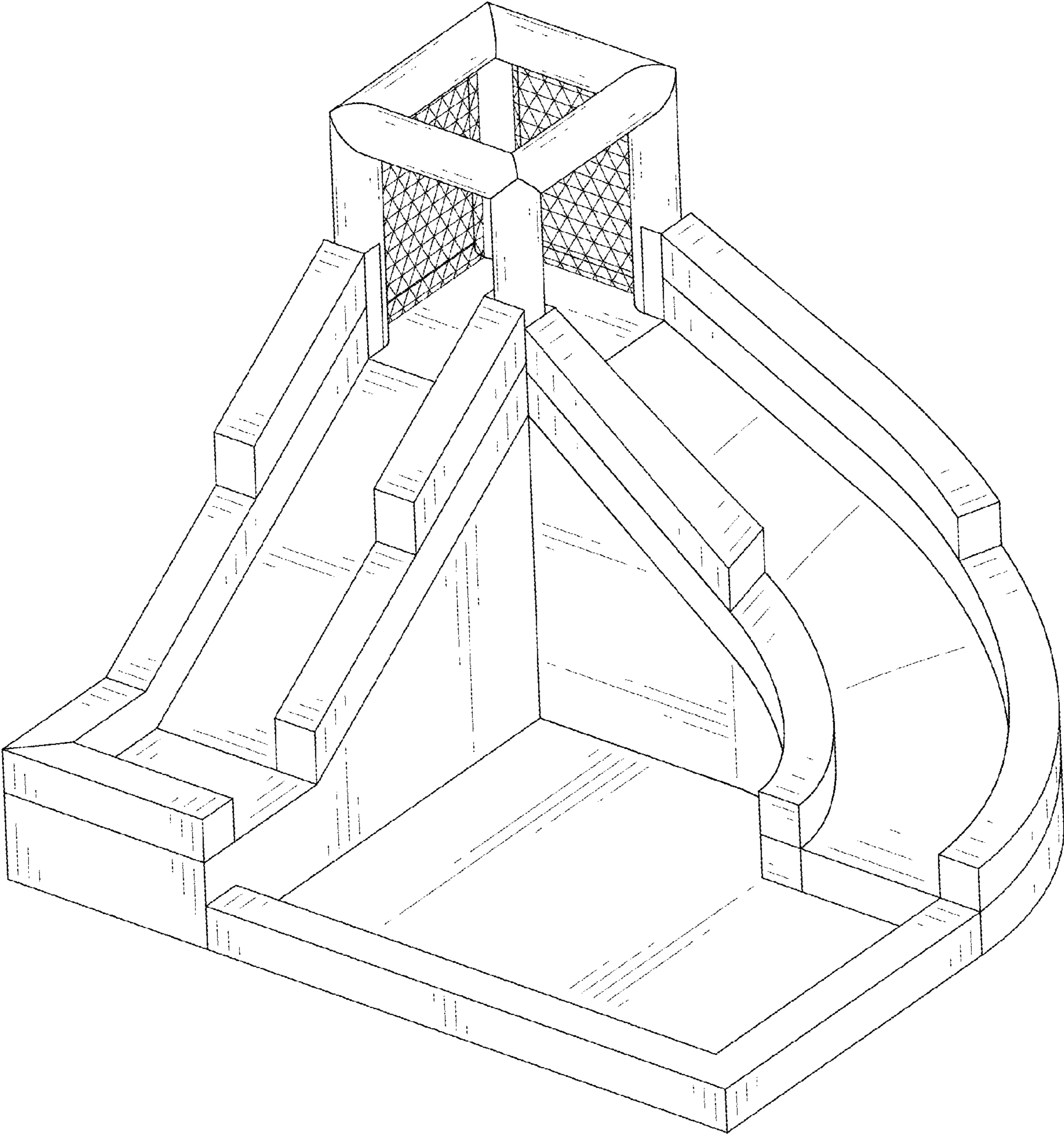


FIG. 1



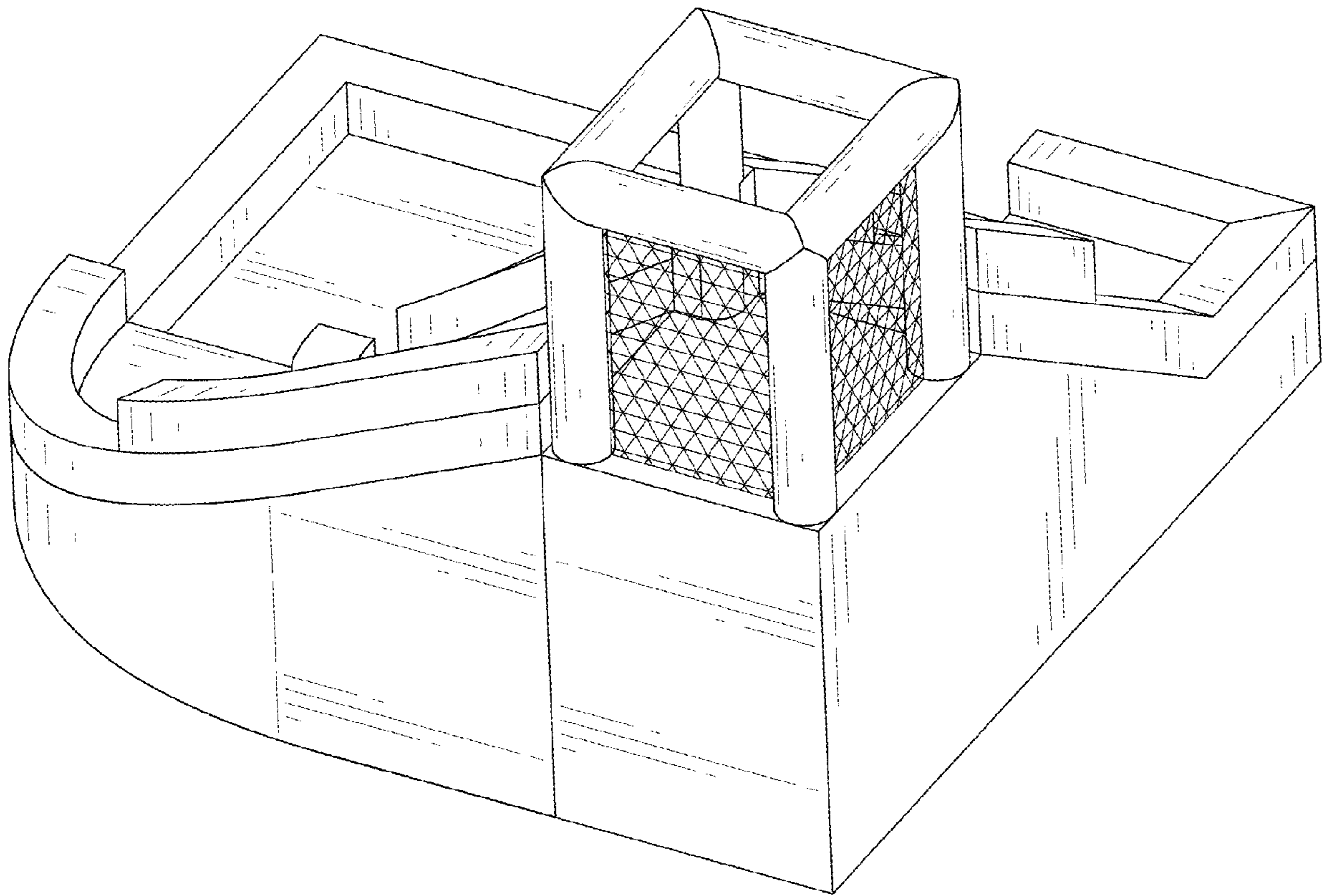


FIG. 2

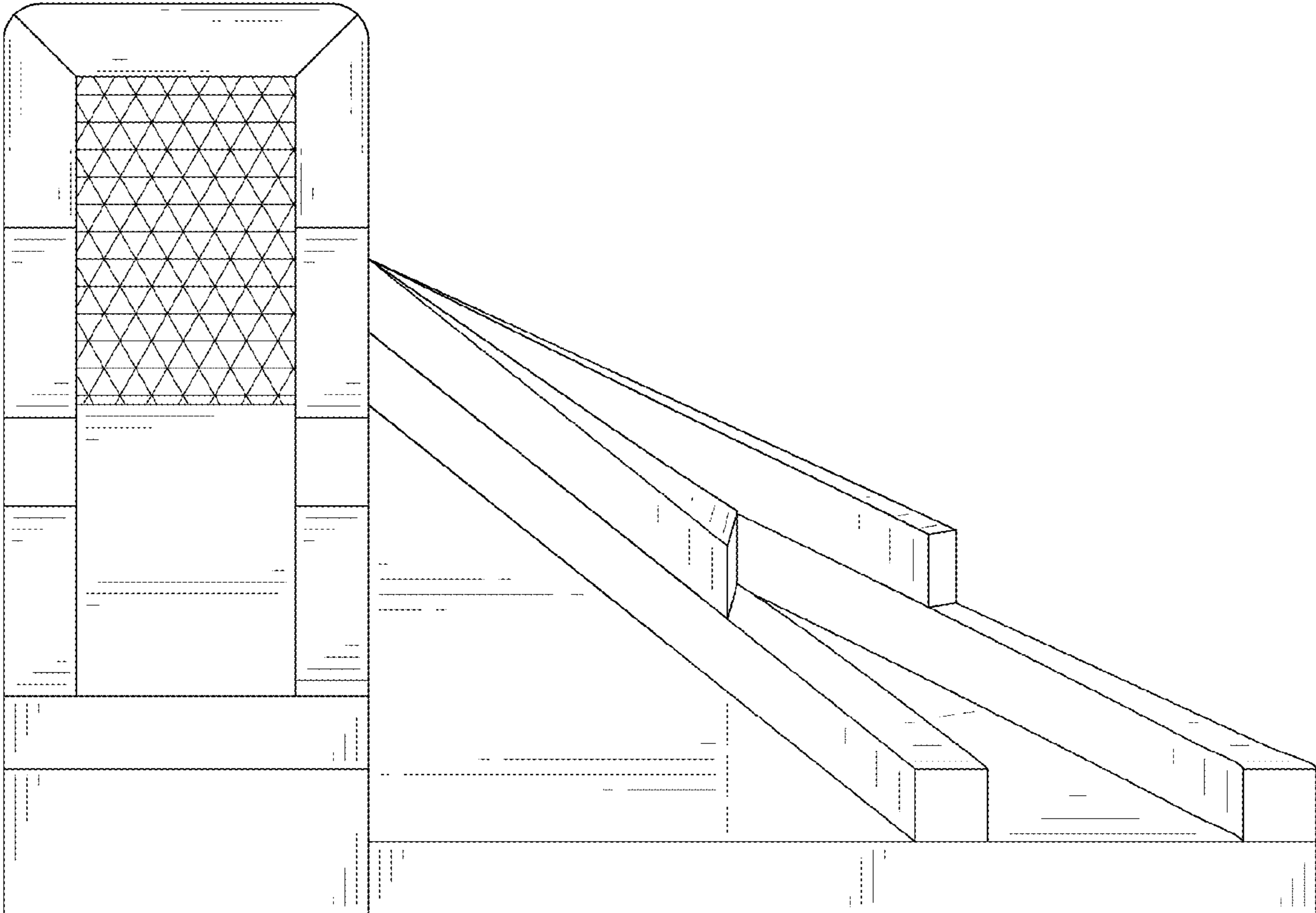


FIG. 3

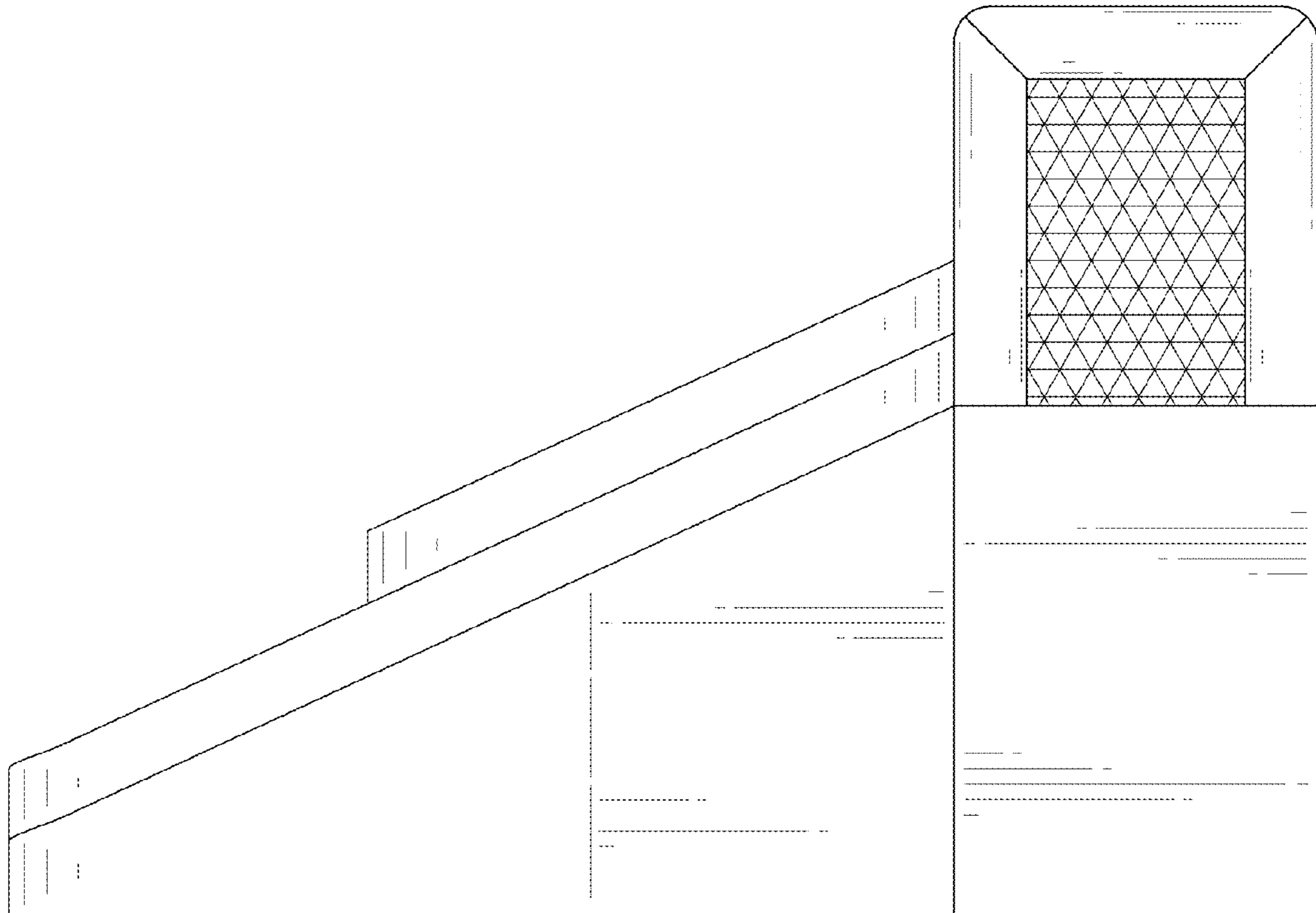


FIG. 4

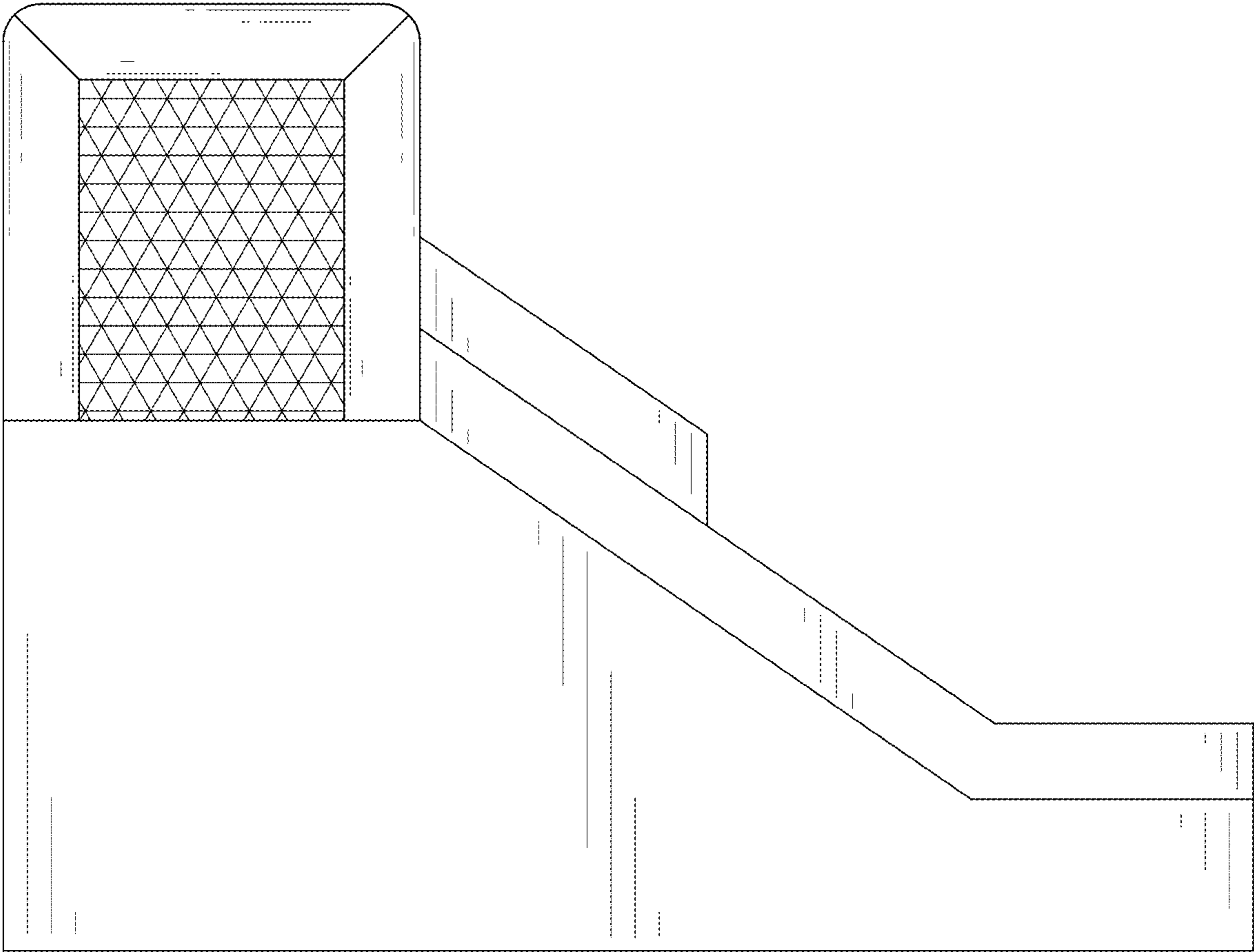


FIG. 5

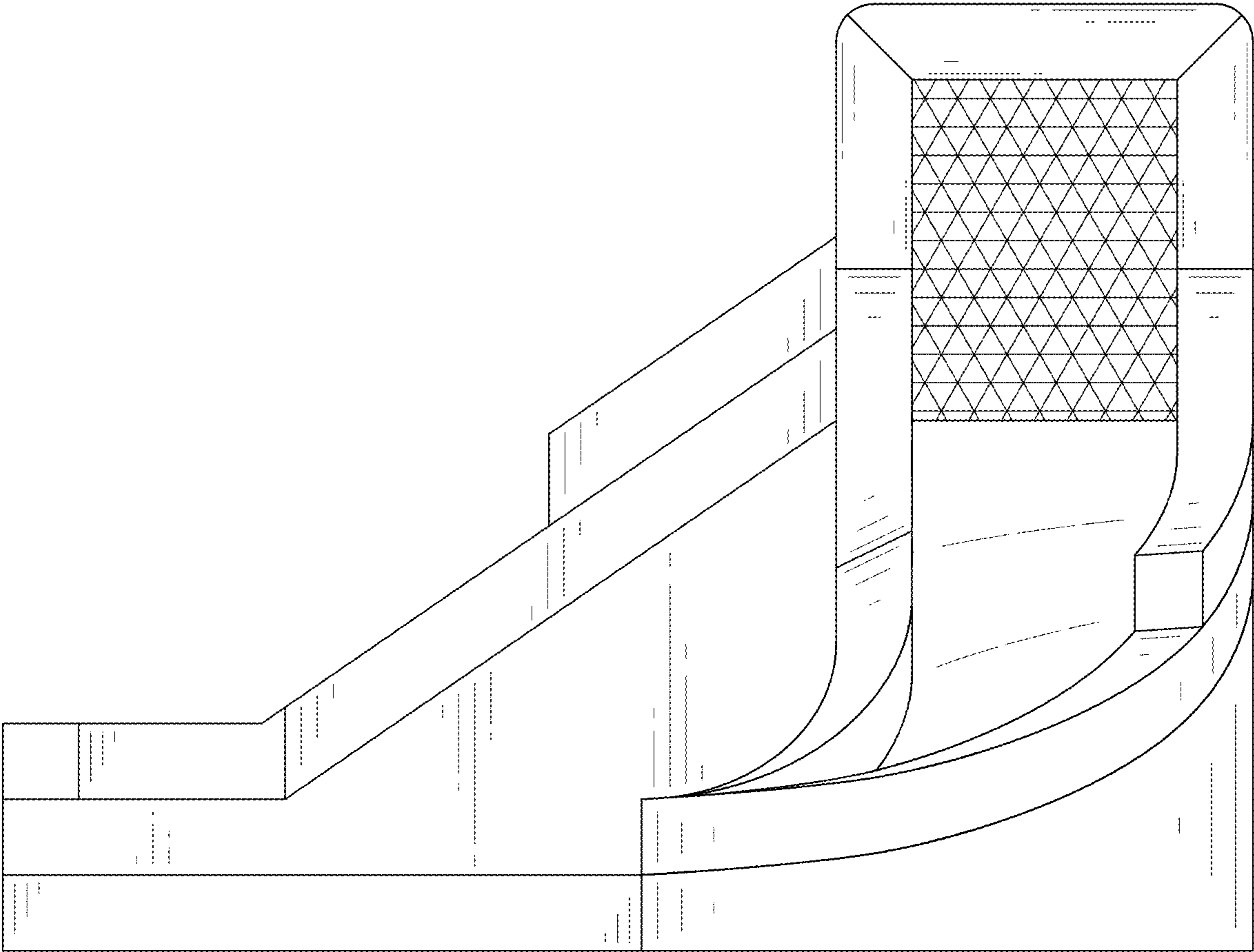


FIG. 6



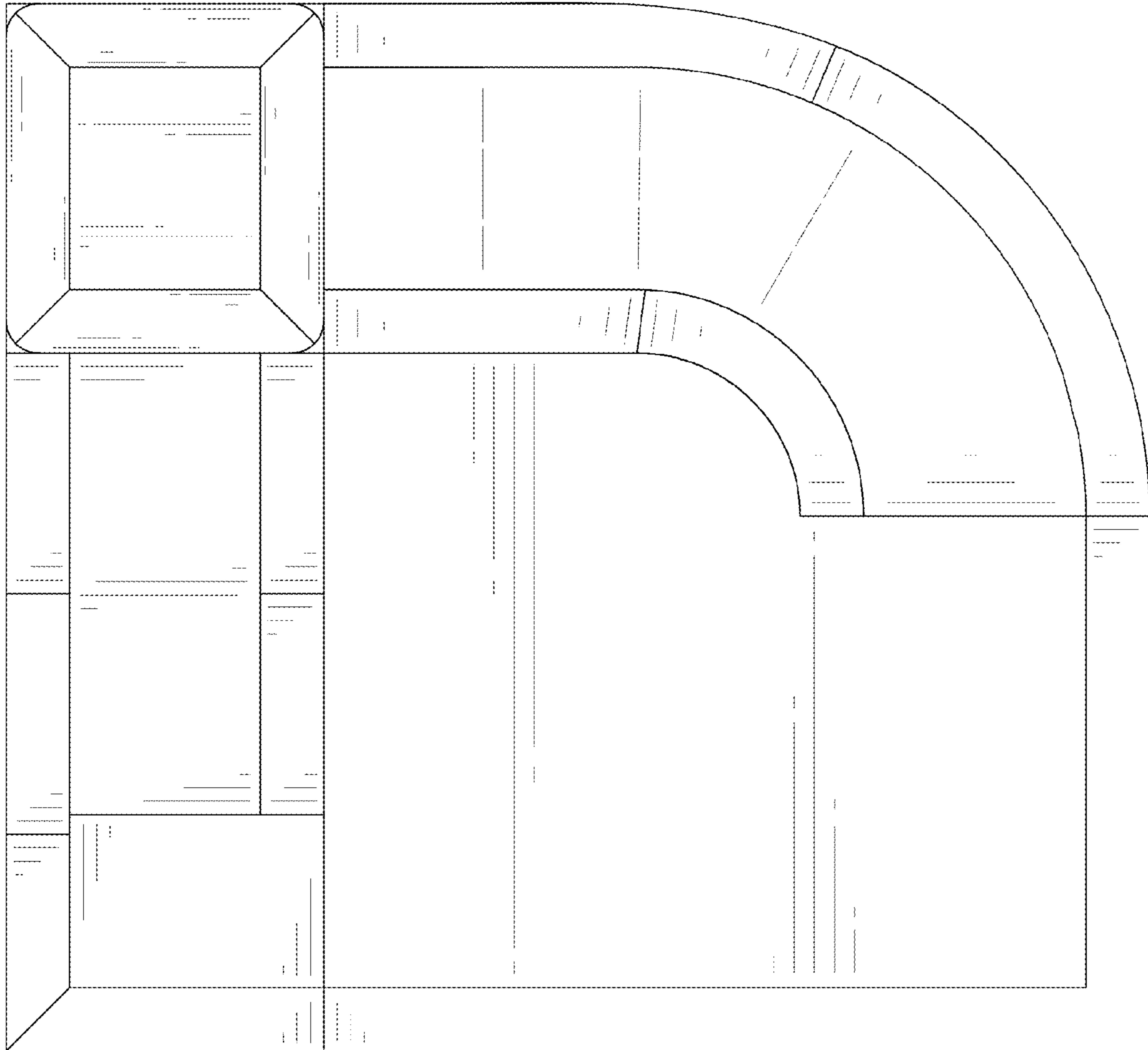


FIG. 7

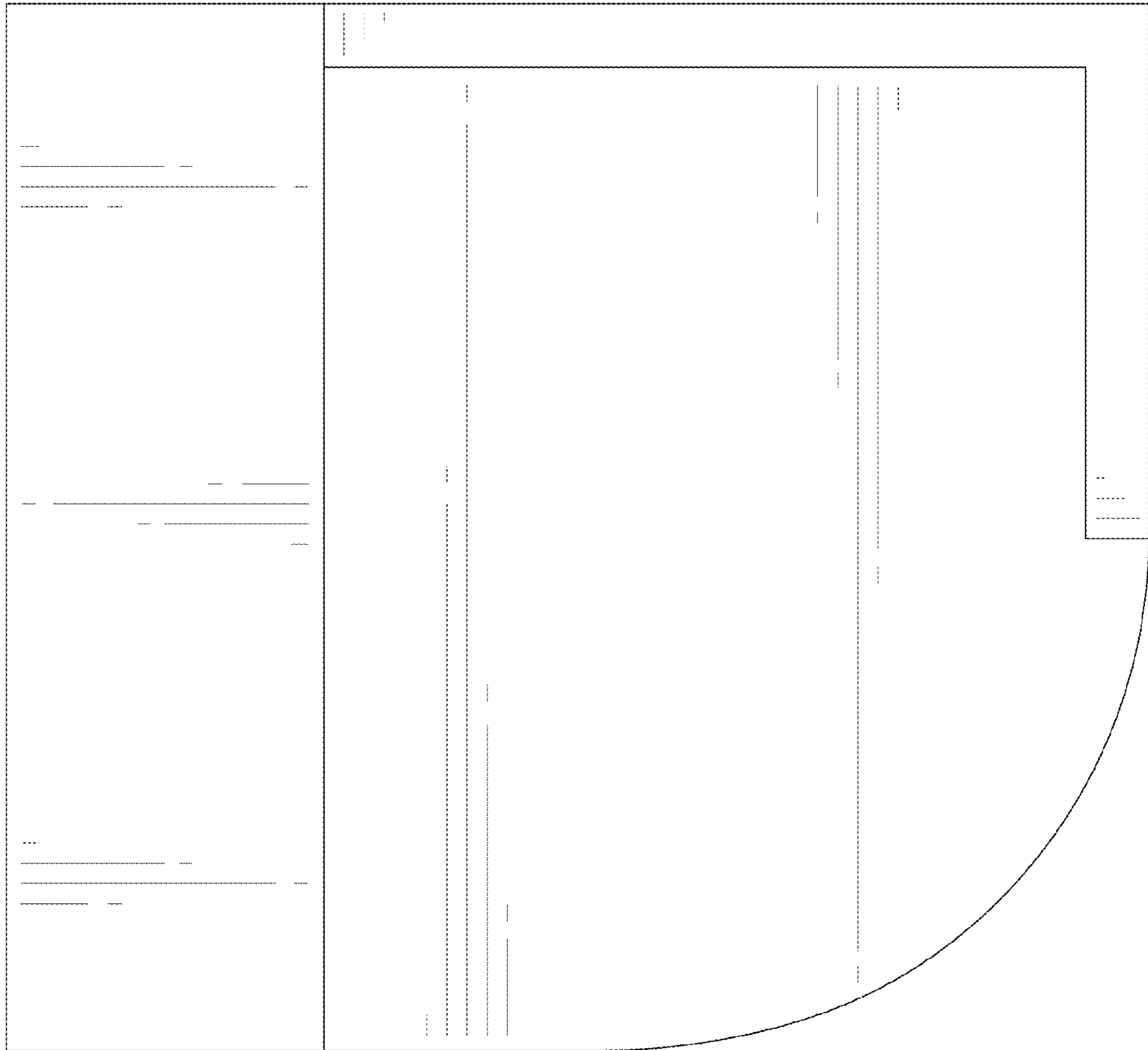


FIG. 8