



US00D956910S

(12) **United States Design Patent**
He

(10) **Patent No.:** **US D956,910 S**

(45) **Date of Patent:** **** Jul. 5, 2022**

(54) **INFLATABLE FLOAT**

(71) Applicant: **Wu He**, Zhongshan (CN)

(72) Inventor: **Wu He**, Zhongshan (CN)

(73) Assignee: **Anbel Plastic Manufacturing Ltd.**,
Zhongshang (CN)

(**) Term: **15 Years**

(21) Appl. No.: **29/685,006**

(22) Filed: **Mar. 26, 2019**

(51) **LOC (13) Cl.** **21-02**

(52) **U.S. Cl.**
USPC **D21/803**

(58) **Field of Classification Search**
USPC D21/803, 804, 805, 808, 809
CPC A47C 15/006
See application file for complete search history.

(56) **References Cited**

U.S. PATENT DOCUMENTS

4,799,910	A *	1/1989	Kellough	B63B 34/54 441/130
5,766,052	A *	6/1998	Metro	B63B 34/565 441/130
6,749,474	B2 *	6/2004	Hsu	A47C 15/006 441/131
D530,772	S *	10/2006	Peterson	D21/803
D538,876	S *	3/2007	Peterson	D21/803
D538,877	S *	3/2007	Peterson	D21/803
D551,731	S *	9/2007	Peterson	D21/803
D552,203	S *	10/2007	Peterson	D21/803
D554,222	S *	10/2007	Peterson	D21/803
8,375,968	B2 *	2/2013	Whybrew	E04H 15/38 135/96

9,421,443	B2 *	8/2016	Boyer	A63B 63/00
D817,599	S *	5/2018	Broderick	D21/837
D891,556	S *	7/2020	He	D21/808
D891,557	S *	7/2020	He	D21/808
D897,474	S *	9/2020	He	D21/808
D920,459	S *	5/2021	Liao	D21/803
D921,804	S *	6/2021	Chen	D21/803

OTHER PUBLICATIONS

8 Best Baby Floats 2018: Published Apr. 4, 2018 [online], site visited Apr. 7, 2022. Available from Internet URL: <https://youtu.be/Pv0N-bR79xl> (Year: 2018).*

* cited by examiner

Primary Examiner — Michael C Stout

Assistant Examiner — Melvin L Davis

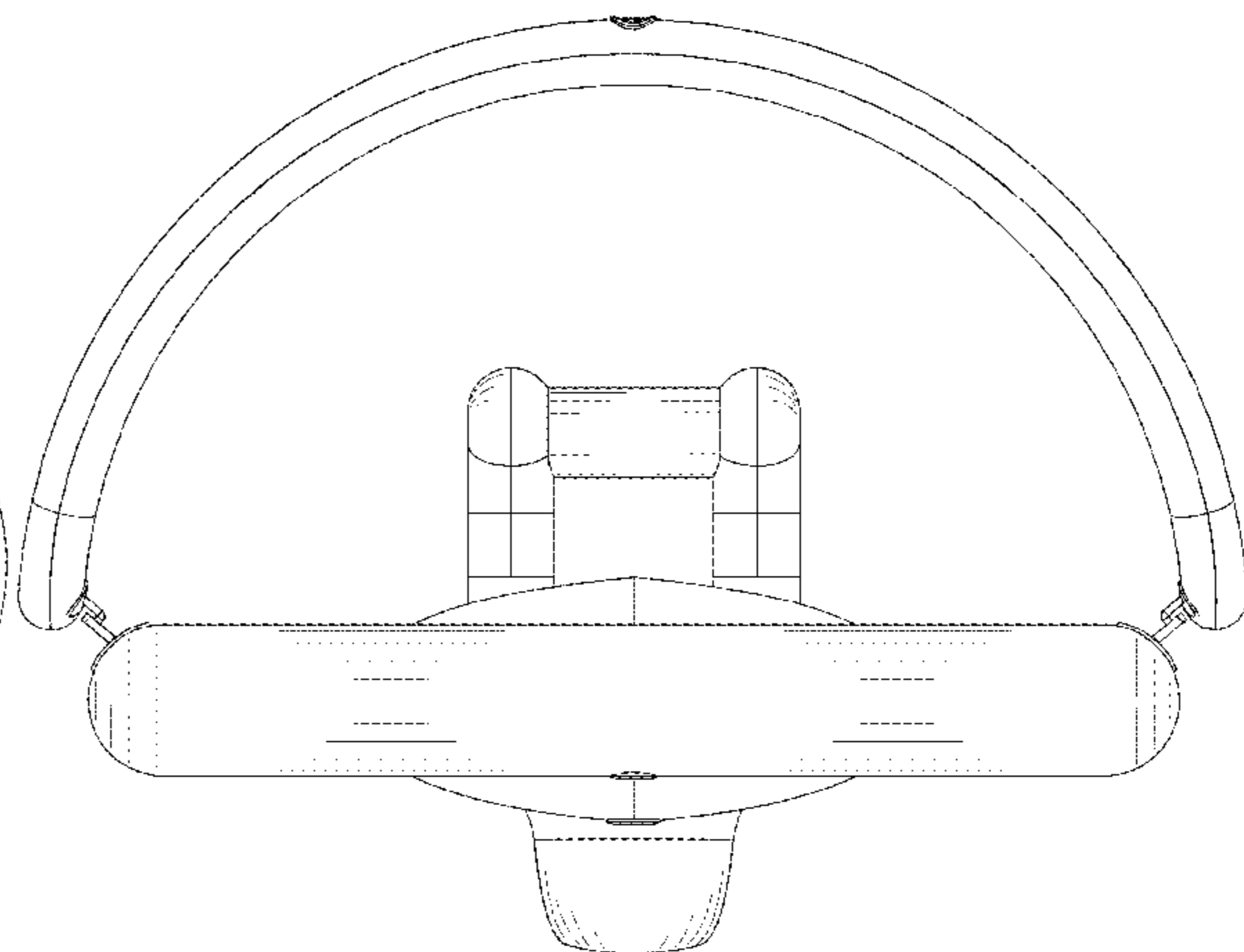
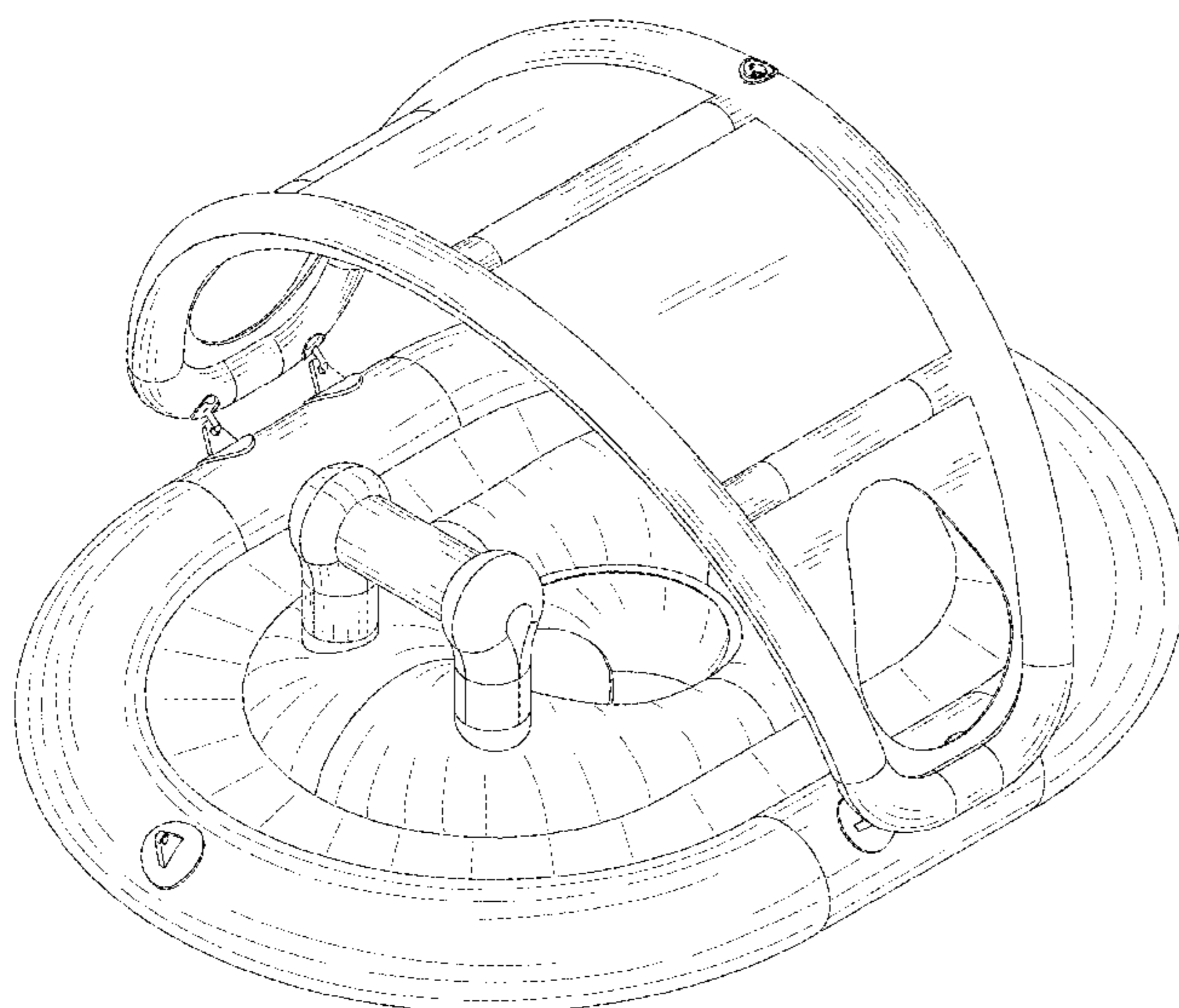
(57) **CLAIM**

The ornamental design for an inflatable float, as shown and described.

DESCRIPTION

FIG. 1 is a front, top perspective view of the inflatable float showing my new design;
FIG. 2 is a front, bottom perspective view thereof;
FIG. 3 is a front elevational view thereof;
FIG. 4 is a rear elevational view thereof;
FIG. 5 is a left side elevational view thereof;
FIG. 6 is a right side elevational view thereof;
FIG. 7 is a bottom plan view thereof; and,
FIG. 8 is a top plan view thereof.

1 Claim, 8 Drawing Sheets



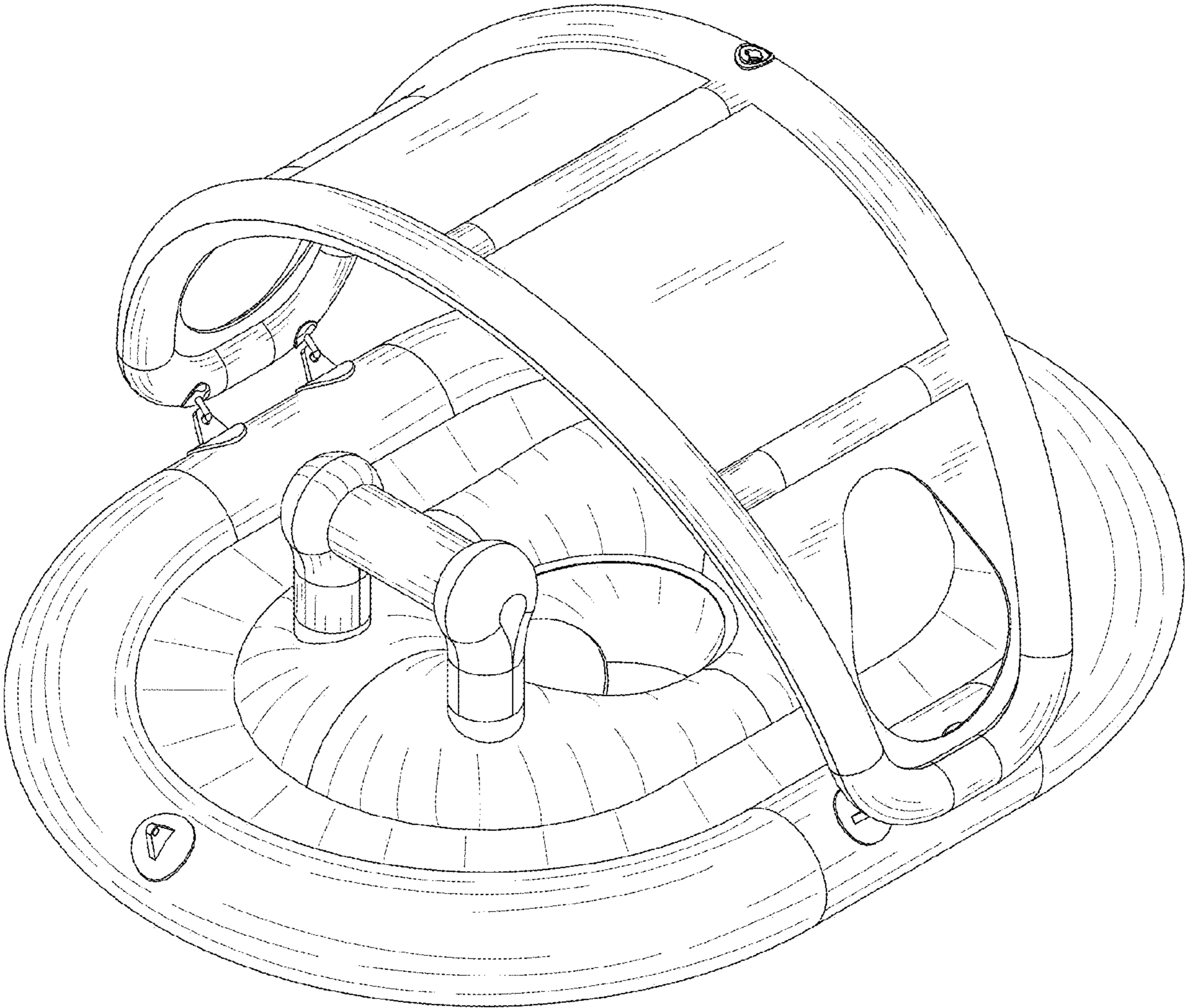


FIG. 1

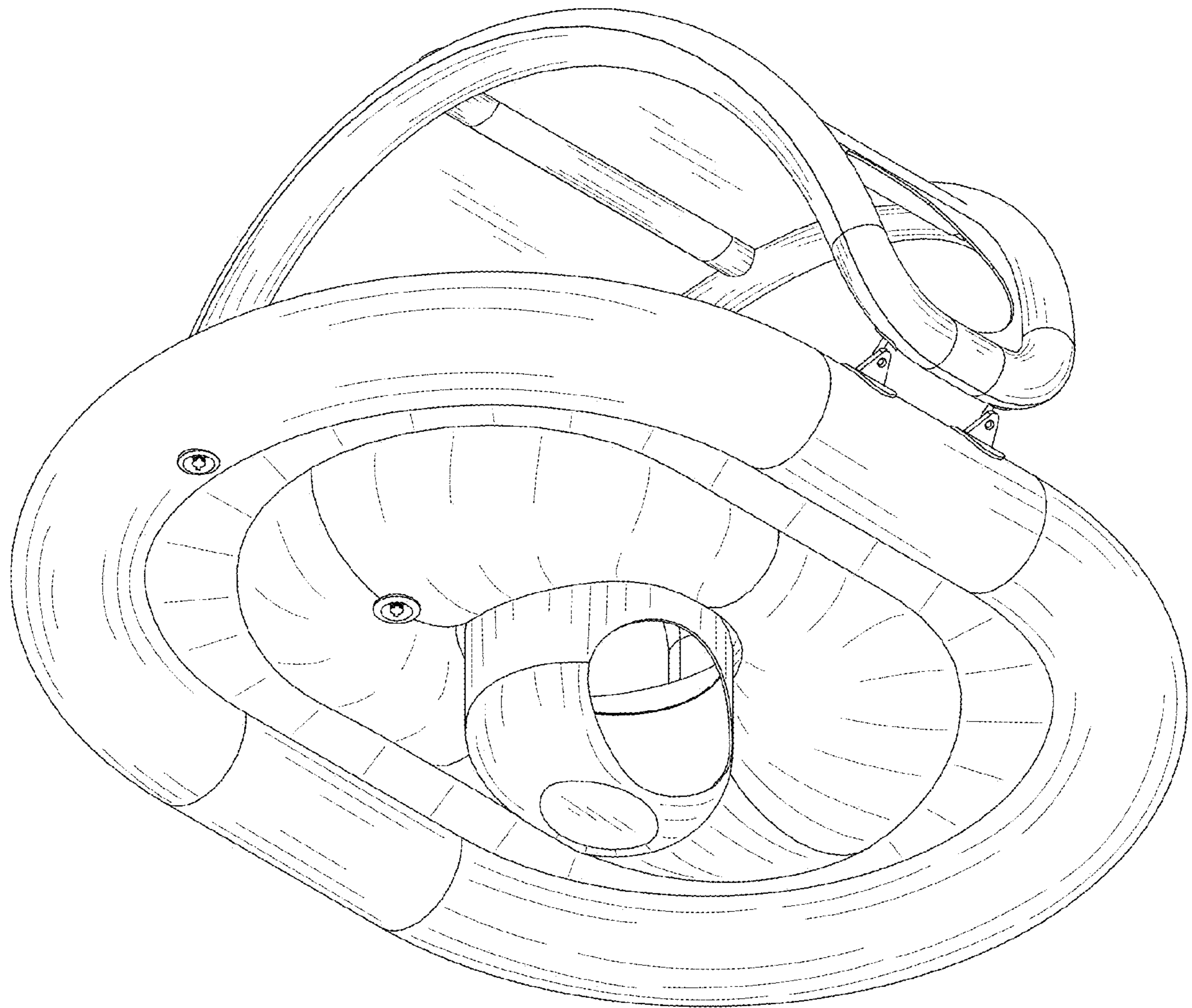


FIG. 2

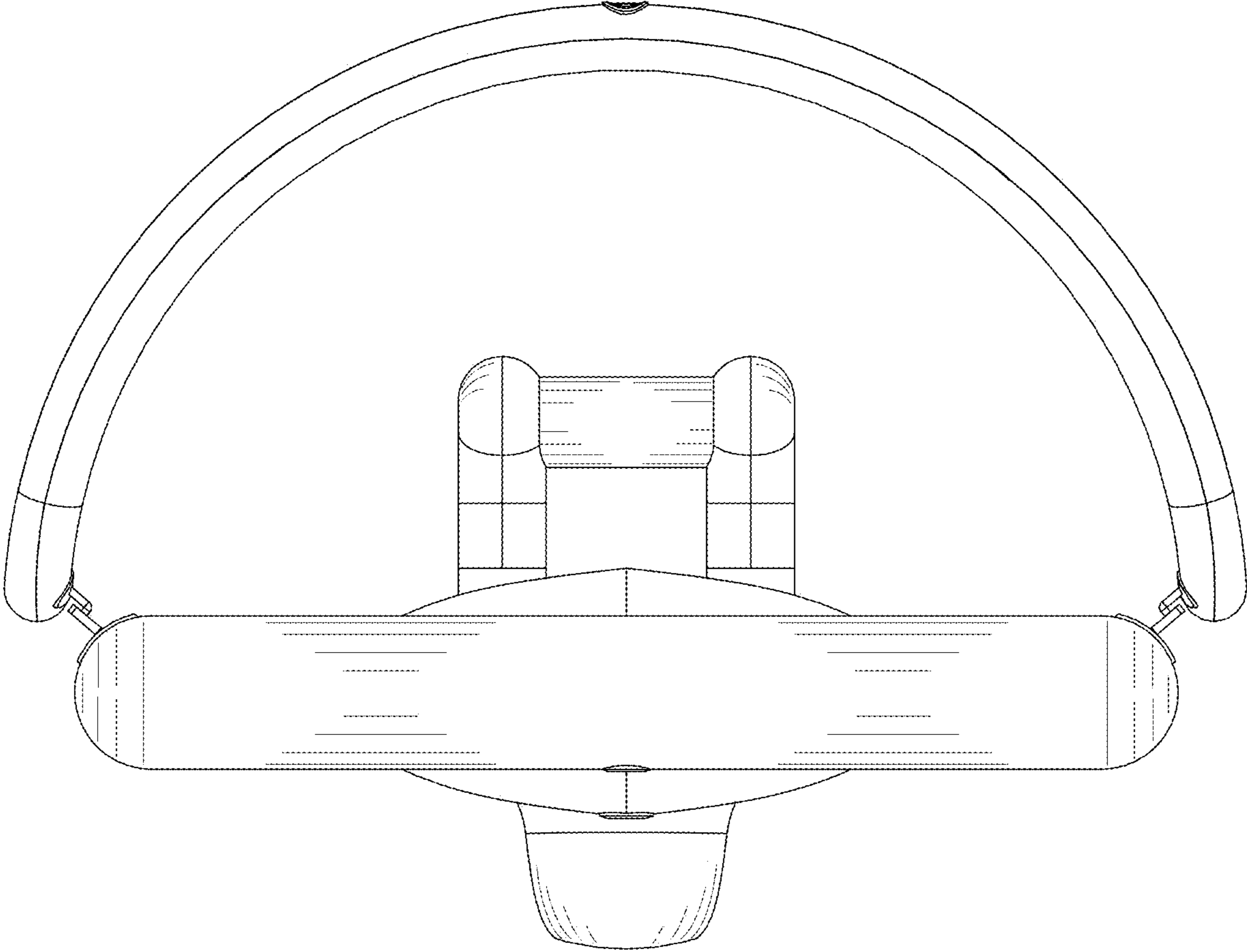


FIG. 3

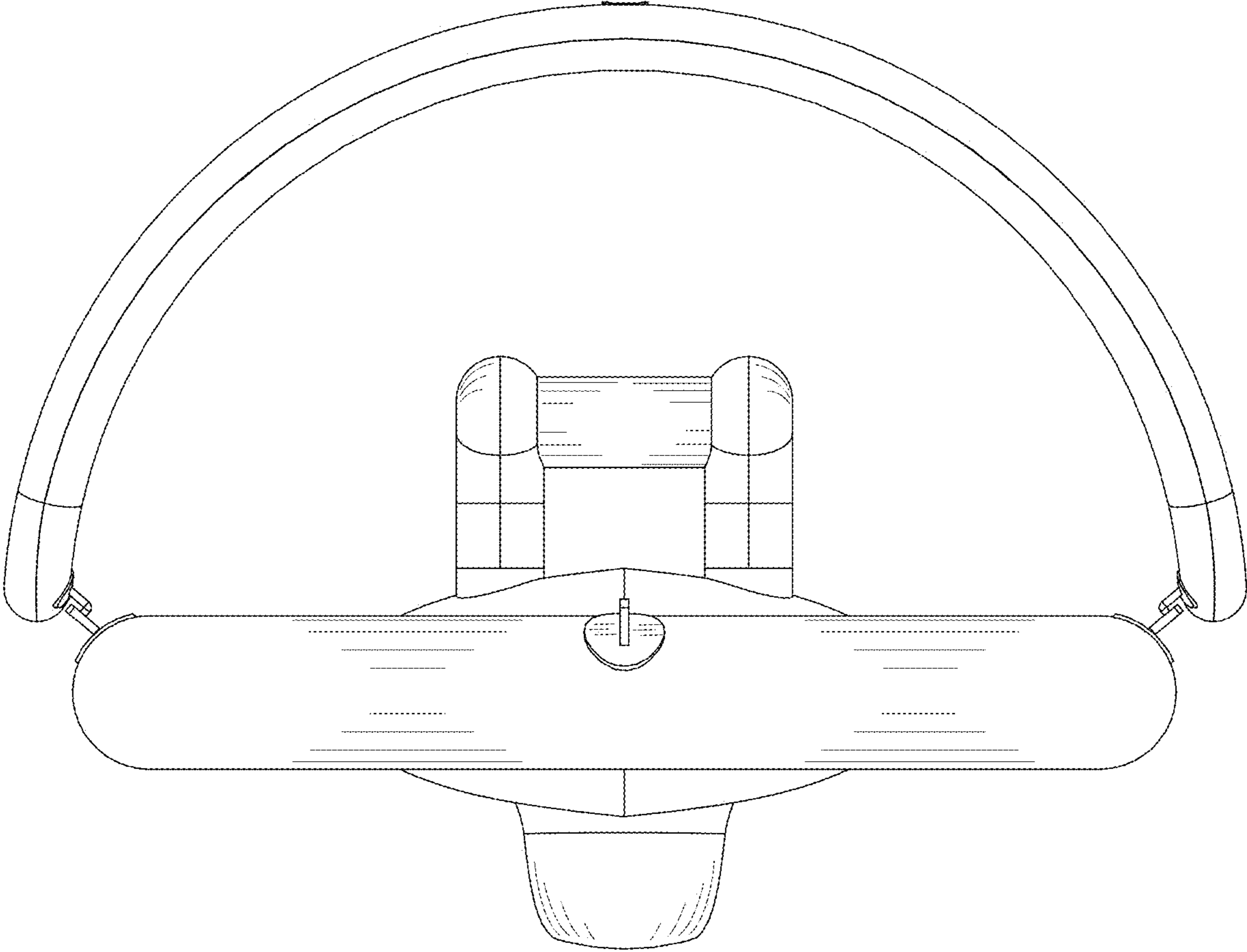


FIG. 4

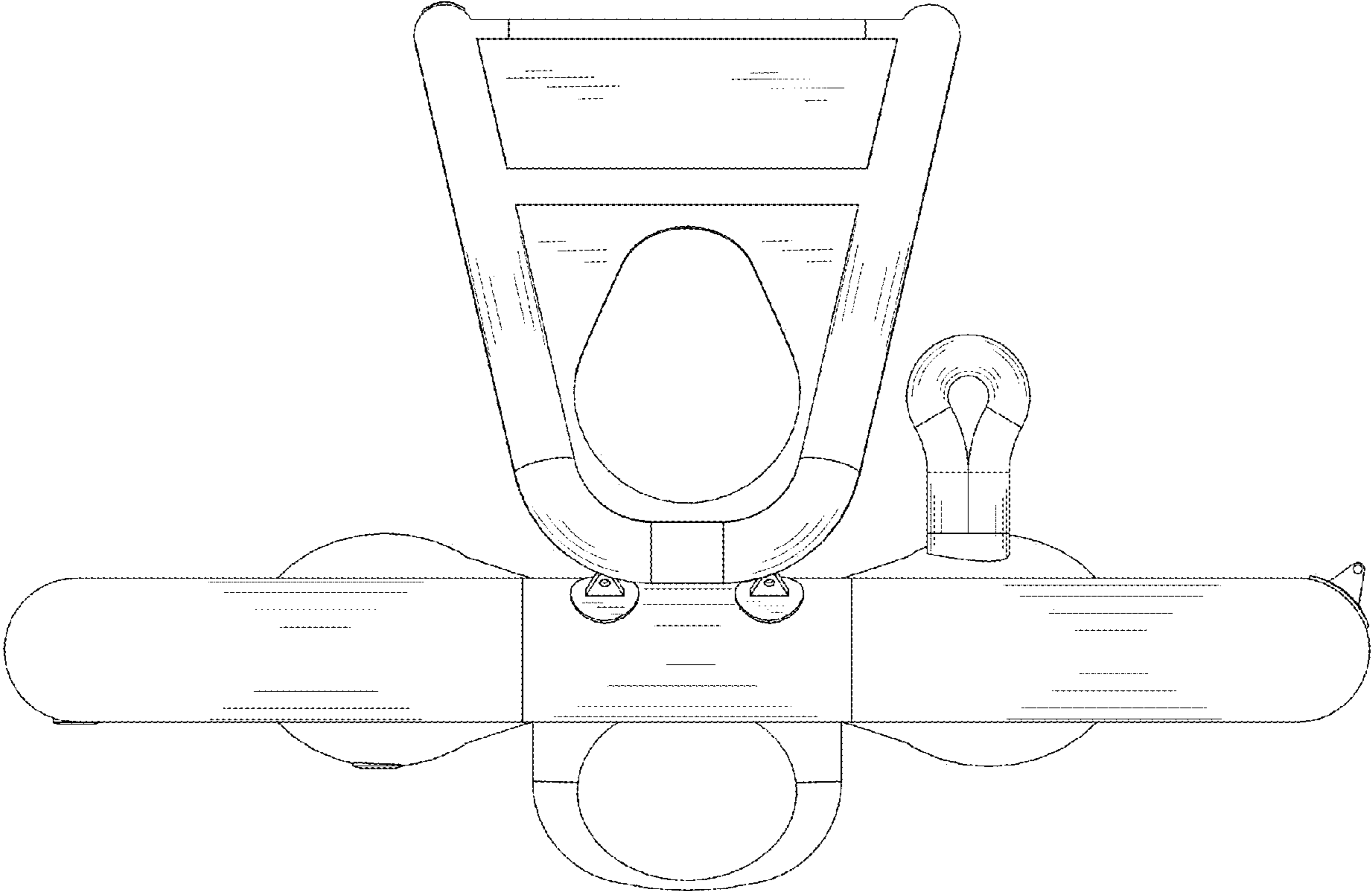


FIG. 5

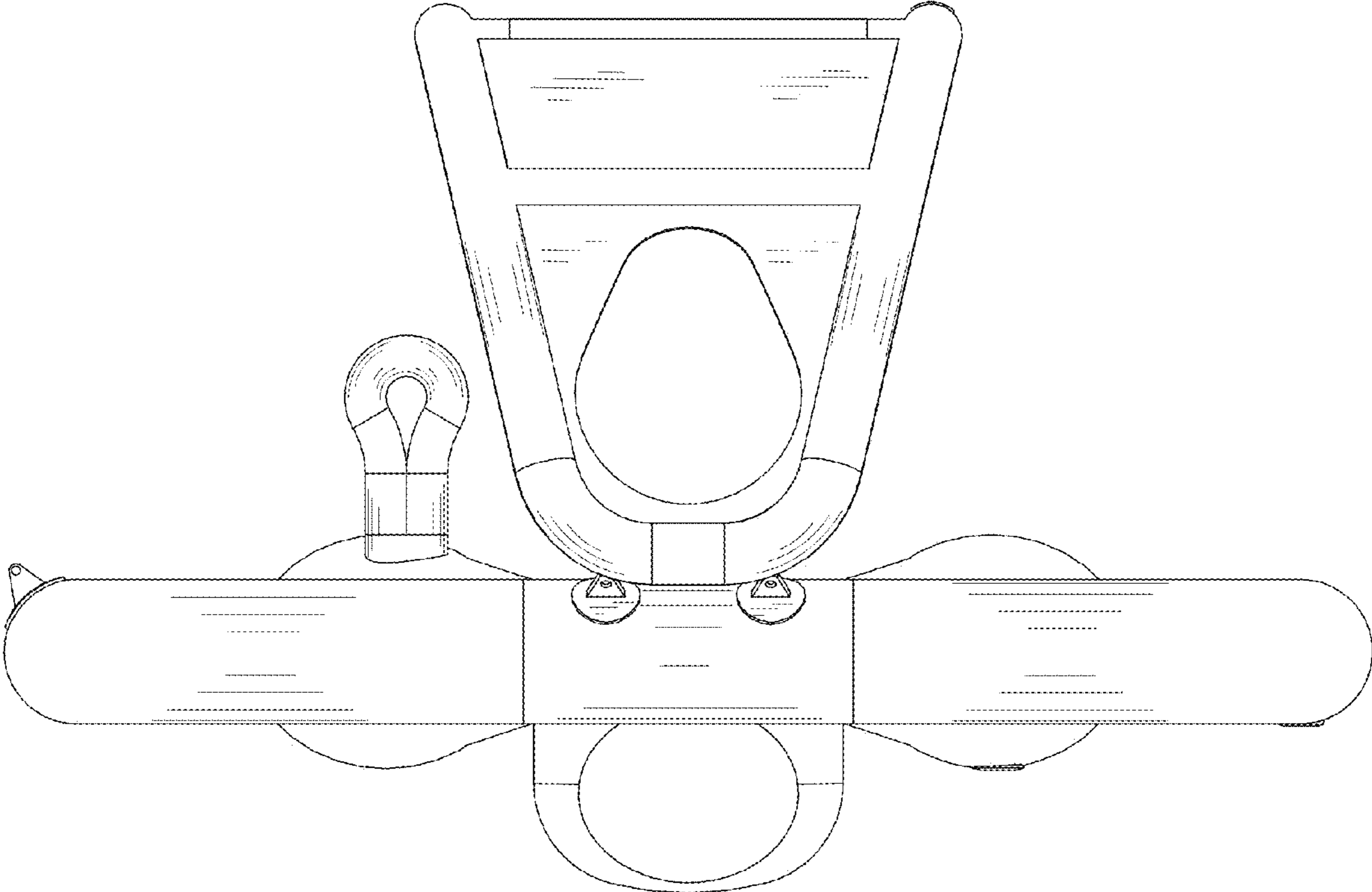


FIG. 6

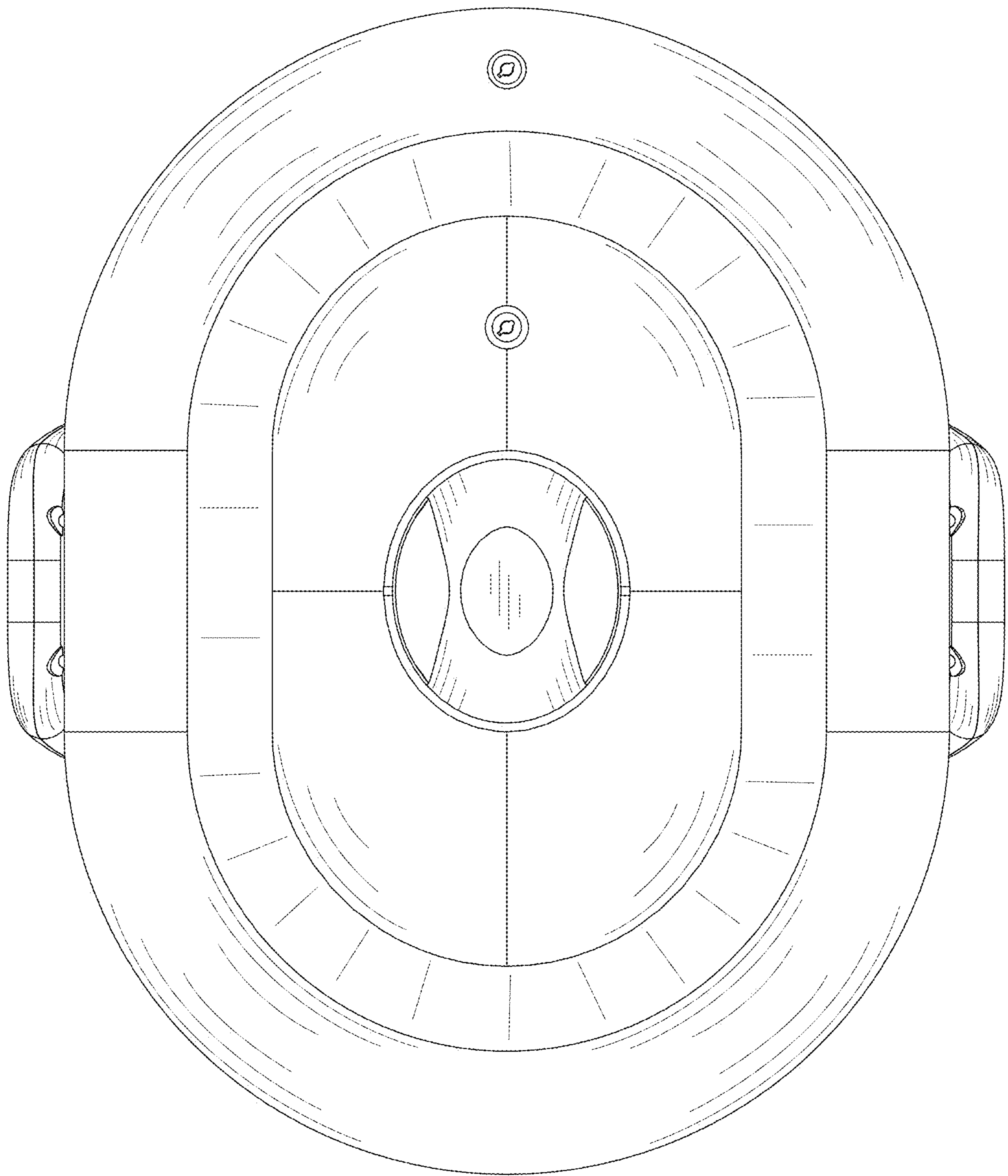


FIG. 7

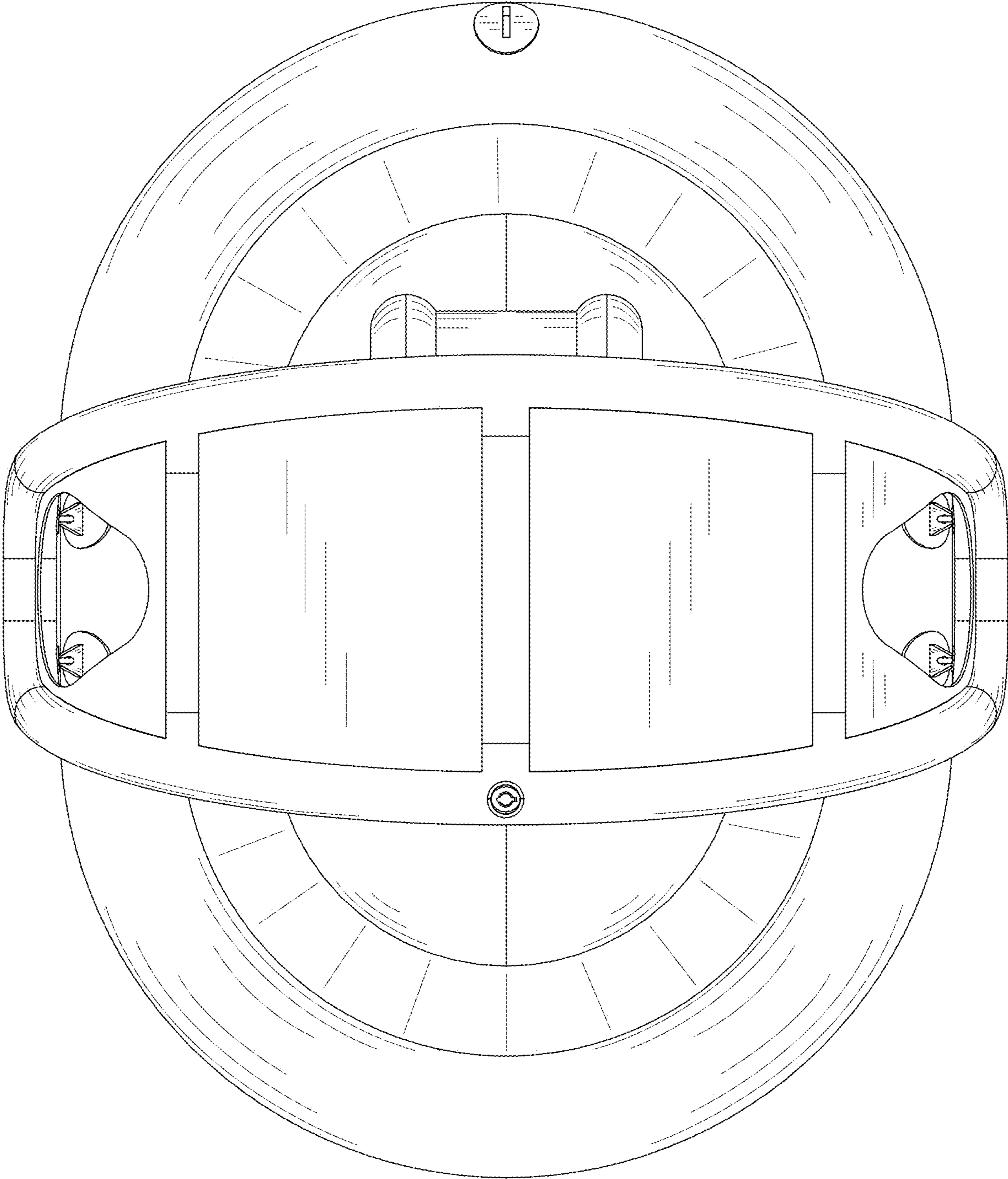


FIG. 8