



US00D956907S

(12) **United States Design Patent**
Lester, III et al.

(10) **Patent No.: US D956,907 S**
(45) **Date of Patent: ** Jul. 5, 2022**

- (54) **TRANSPARENT PADDLE BOARD**
- (71) Applicants: **William Thomas Lester, III**, Miami, FL (US); **Brendan Butler**, Ottawa (CA)
- (72) Inventors: **William Thomas Lester, III**, Miami, FL (US); **Brendan Butler**, Ottawa (CA)
- (**) Term: **15 Years**
- (21) Appl. No.: **29/738,077**
- (22) Filed: **Jun. 15, 2020**
- (51) **LOC (13) Cl.** **21-02**
- (52) **U.S. Cl.**
USPC **D21/769**
- (58) **Field of Classification Search**
USPC D21/769, 770, 801, 803; D12/300, 302, D12/306, 307
CPC B63B 32/00; B63B 32/10; B63B 32/20; B63B 32/30; B63B 32/40
See application file for complete search history.

8,672,719 B2 * 3/2014 Grimes B63B 32/50
441/74
D827,077 S * 8/2018 Zhou D21/769
2010/0056003 A1 * 3/2010 Huang B63B 32/45
441/74
2014/0080369 A1 * 3/2014 Haller B63B 32/51
441/66

* cited by examiner

Primary Examiner — Zenia I Bennett
(74) *Attorney, Agent, or Firm* — Sanchelima & Associates, P.A.; Christian Sanchelima; Jesus Sanchelima

(57) **CLAIM**

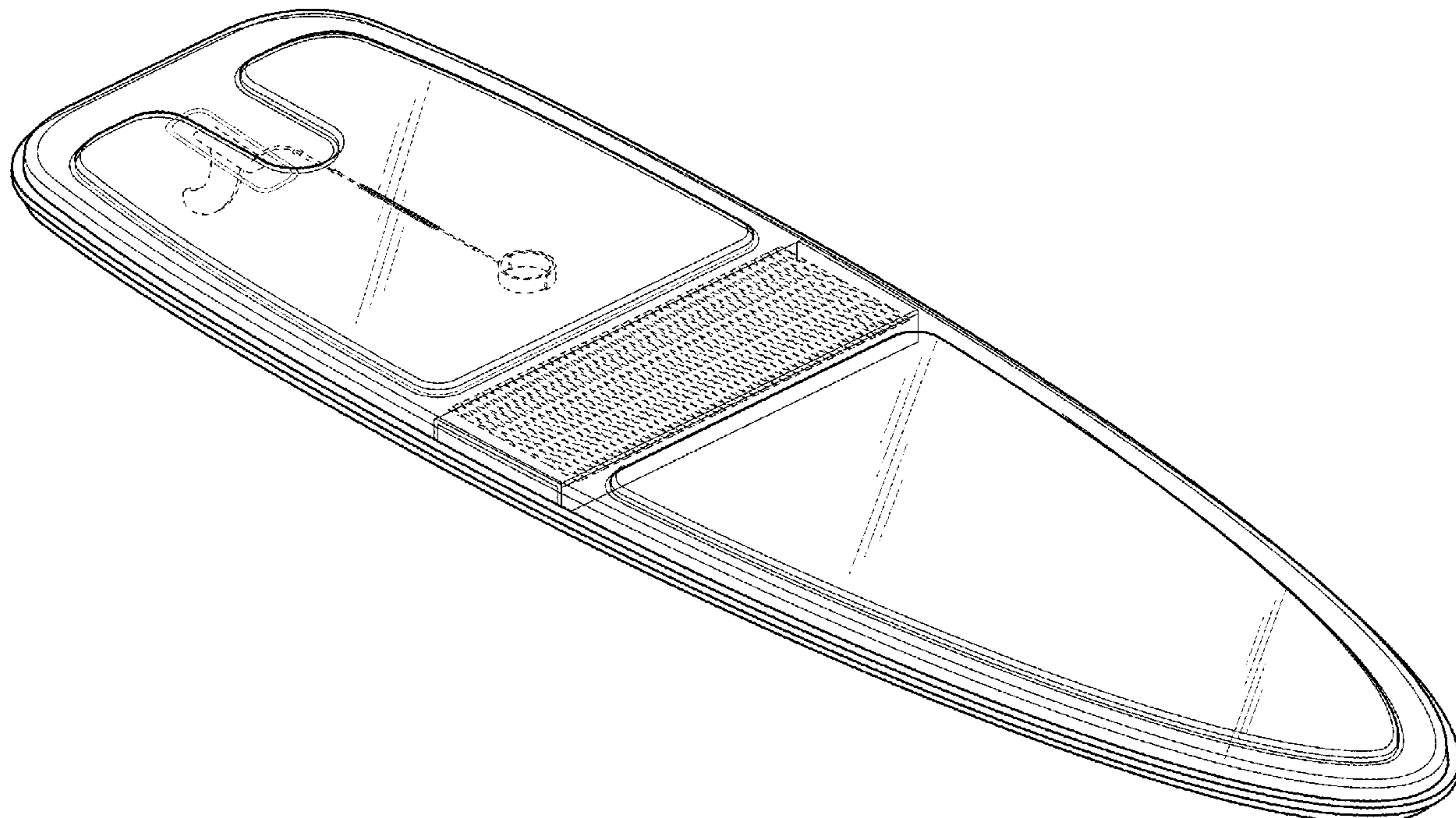
The ornamental design for a transparent paddle board, as shown and described.

DESCRIPTION

FIG. 1 is an isometric view of a transparent paddle board showing my new design;
FIG. 2 is a front elevational view thereof;
FIG. 3 is a rear elevational view thereof;
FIG. 4 is a left side elevational view thereof;
FIG. 5 is a right elevational view thereof;
FIG. 6 is a top plan view thereof; and,
FIG. 7 is a bottom plan view thereof showing my design. No claim is made to the fin, ankle leash, or deck pad shown in broken lines, it is shown for illustration purposes only.

1 Claim, 5 Drawing Sheets

- (56) **References Cited**
U.S. PATENT DOCUMENTS
4,129,911 A * 12/1978 McDonald B63B 32/40
441/74
D349,935 S * 8/1994 Simonson D21/769



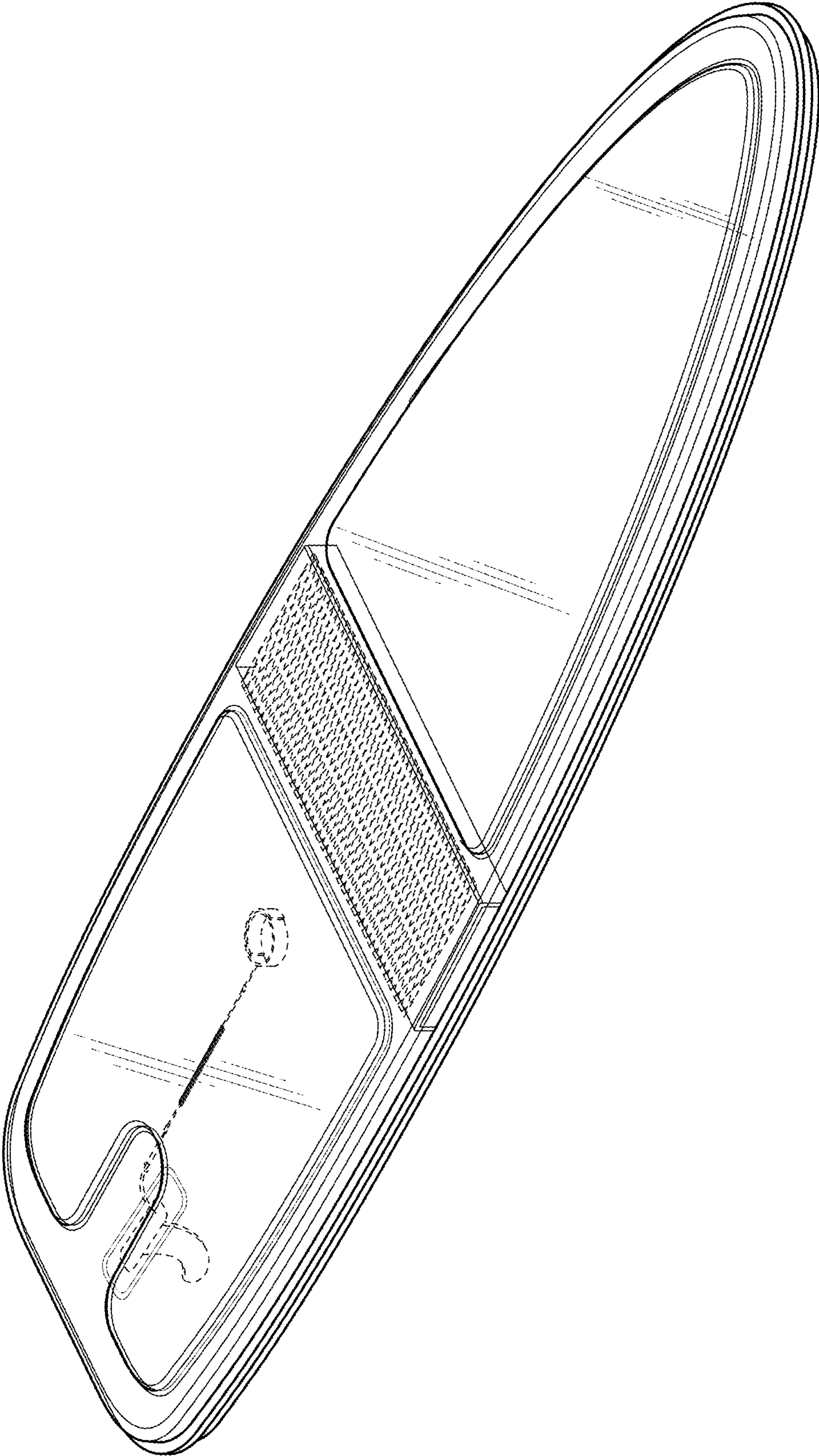


FIG. 1

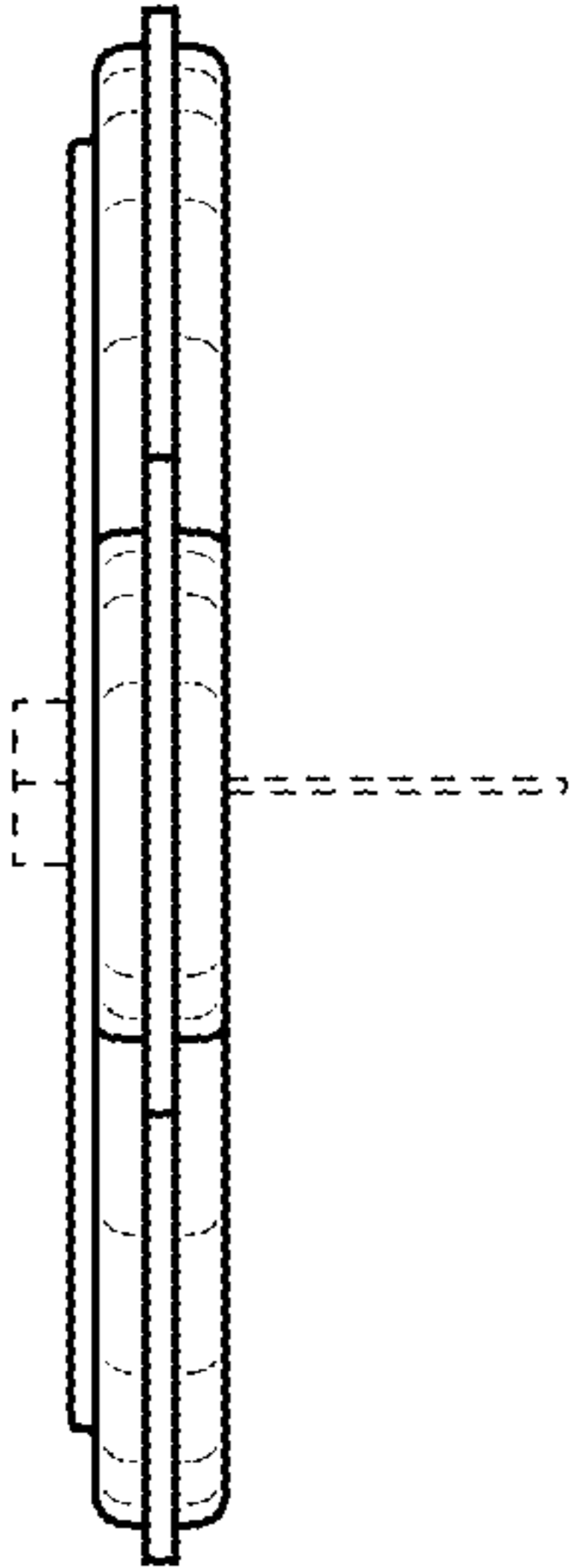


FIG. 2

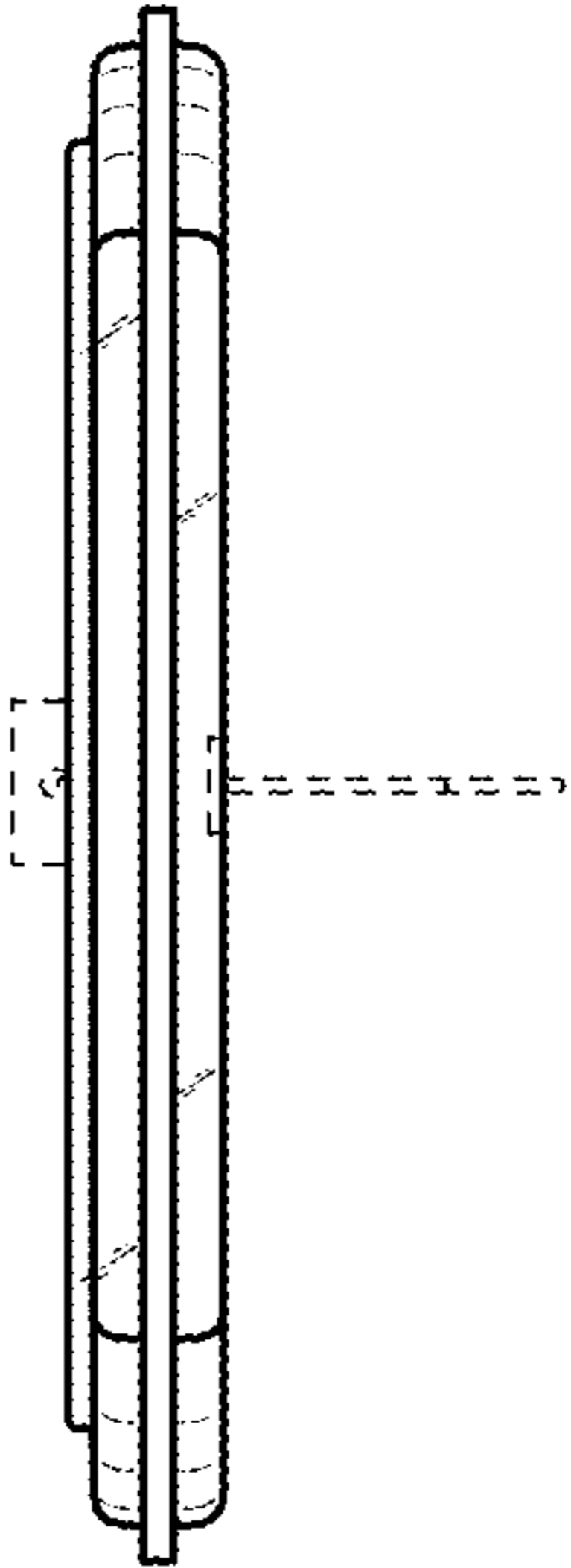


FIG. 3

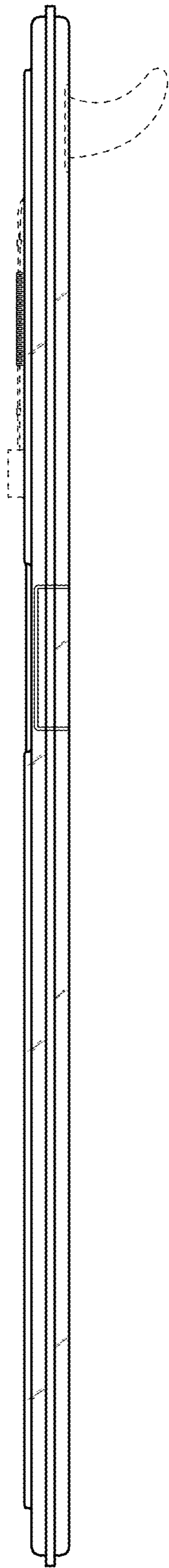


FIG. 4

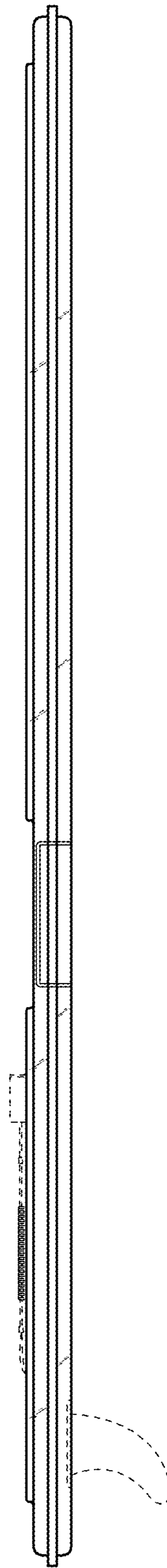


FIG. 5

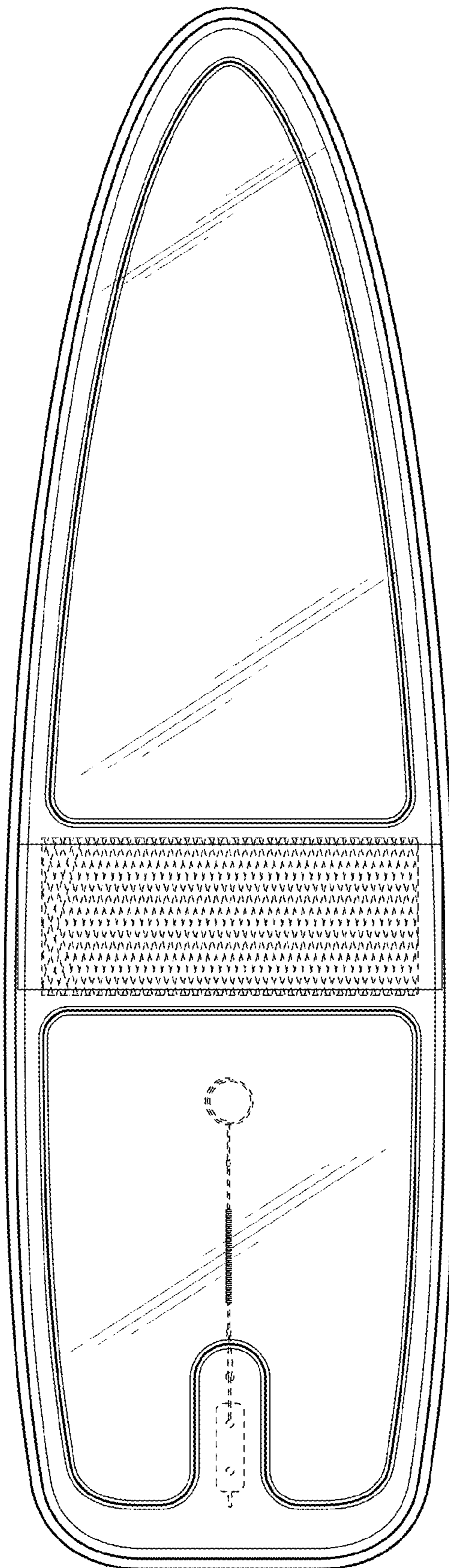


FIG. 6

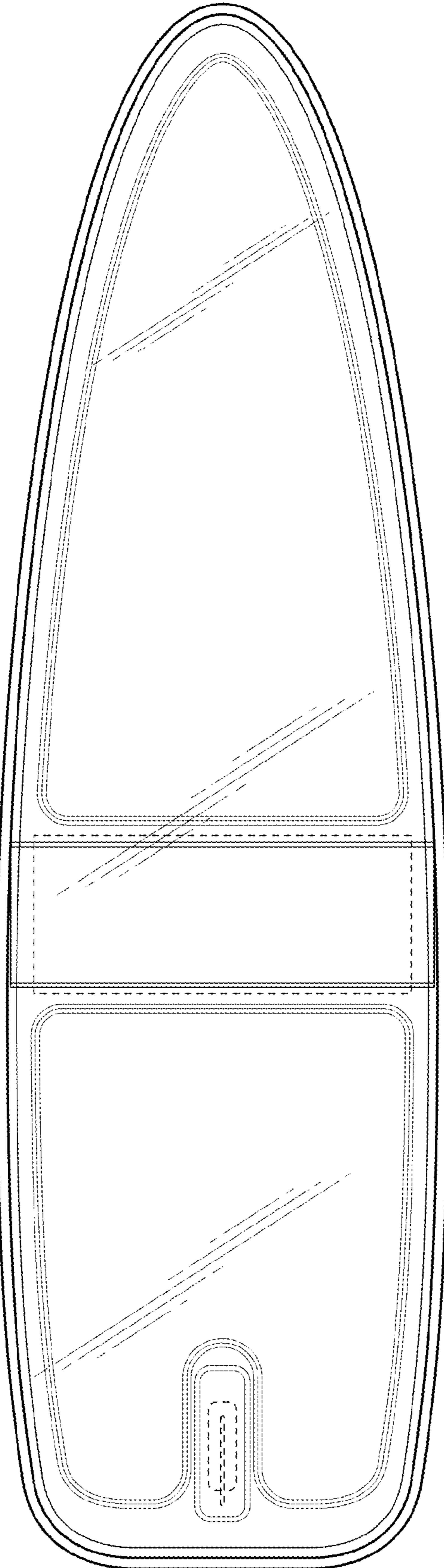


FIG. 7