



US00D956903S

(12) **United States Design Patent** (10) **Patent No.:** **US D956,903 S**
Parsons et al. (45) **Date of Patent:** **** Jul. 5, 2022**

- (54) **GOLF CLUB HEAD**
- (71) Applicant: **PARSONS XTREME GOLF, LLC**,
Scottsdale, AZ (US)
- (72) Inventors: **Robert R. Parsons**, Scottsdale, AZ
(US); **Michael R. Nicolette**, Scottsdale,
AZ (US); **Bradley D. Schweigert**, Cave
Creek, AZ (US); **Caleb S. Kroloff**,
Phoenix, AZ (US); **Daniel C. Kirtley**,
Scottsdale, AZ (US); **William N.**
Knopka, III, Scottsdale, AZ (US)
- (73) Assignee: **PARSONS XTREME GOLF, LLC**,
Scottsdale, AZ (US)
- (**) Term: **15 Years**
- (21) Appl. No.: **29/774,873**
- (22) Filed: **Mar. 19, 2021**

D164,597 S	9/1951	Penna
D175,107 S	7/1955	Gordon
3,020,048 A	2/1962	Carroll
D203,936 S	3/1966	Long
D215,101 S	9/1969	Sabat
D234,963 S	4/1975	Hirata
D239,550 S	4/1976	Timbrook
D240,054 S	5/1976	Meissler
D244,792 S	6/1977	Gelinas
D250,136 S	10/1978	Gelinas
D261,167 S	10/1981	Swanson
D294,617 S	3/1988	Perkins
D294,817 S	3/1988	Preisler
4,754,977 A	7/1988	Sahm
4,824,116 A	4/1989	Nagamoto et al.
4,988,104 A	1/1991	Shiotani et al.
5,158,296 A	10/1992	Lee
5,176,384 A	1/1993	Sata et al.
5,213,328 A	5/1993	Long
D336,672 S	6/1993	Gorman
D353,862 S	12/1994	Saito
D357,520 S	4/1995	Helmstetter et al.
5,419,560 A	5/1995	Bamber
5,425,535 A	6/1995	Gee
D361,358 S	8/1995	Simmons
5,447,311 A	9/1995	Viollaz et al.
5,451,056 A	9/1995	Manning
D362,884 S	10/1995	Blough et al.
D362,885 S	10/1995	Blough et al.
D362,887 S	10/1995	Blough et al.
D370,514 S	6/1996	Blough et al.
5,540,437 A	7/1996	Bamber
D379,106 S	5/1997	Maltby
5,637,045 A	6/1997	Igarashi
5,669,830 A	9/1997	Bamber
D389,540 S	1/1998	Mendenhall
D389,541 S	1/1998	Huan-Chiang
D395,476 S	6/1998	Pond et al.
5,766,091 A	6/1998	Humphrey et al.
5,766,092 A	6/1998	Mimeur et al.
D399,277 S	10/1998	Ezaki
5,827,132 A	10/1998	Bamber
D408,485 S	4/1999	Takahashi et al.
5,899,821 A	5/1999	Hsu et al.
5,935,016 A	8/1999	Antonious
D414,535 S	9/1999	Mertens
D421,080 S	2/2000	Chen
D426,276 S	6/2000	Besnard et al.
D426,476 S	6/2000	Goss
6,077,171 A	6/2000	Yoneyama
D442,659 S	5/2001	Kubica et al.
D443,008 S	5/2001	Kubica et al.
D445,862 S	7/2001	Ford

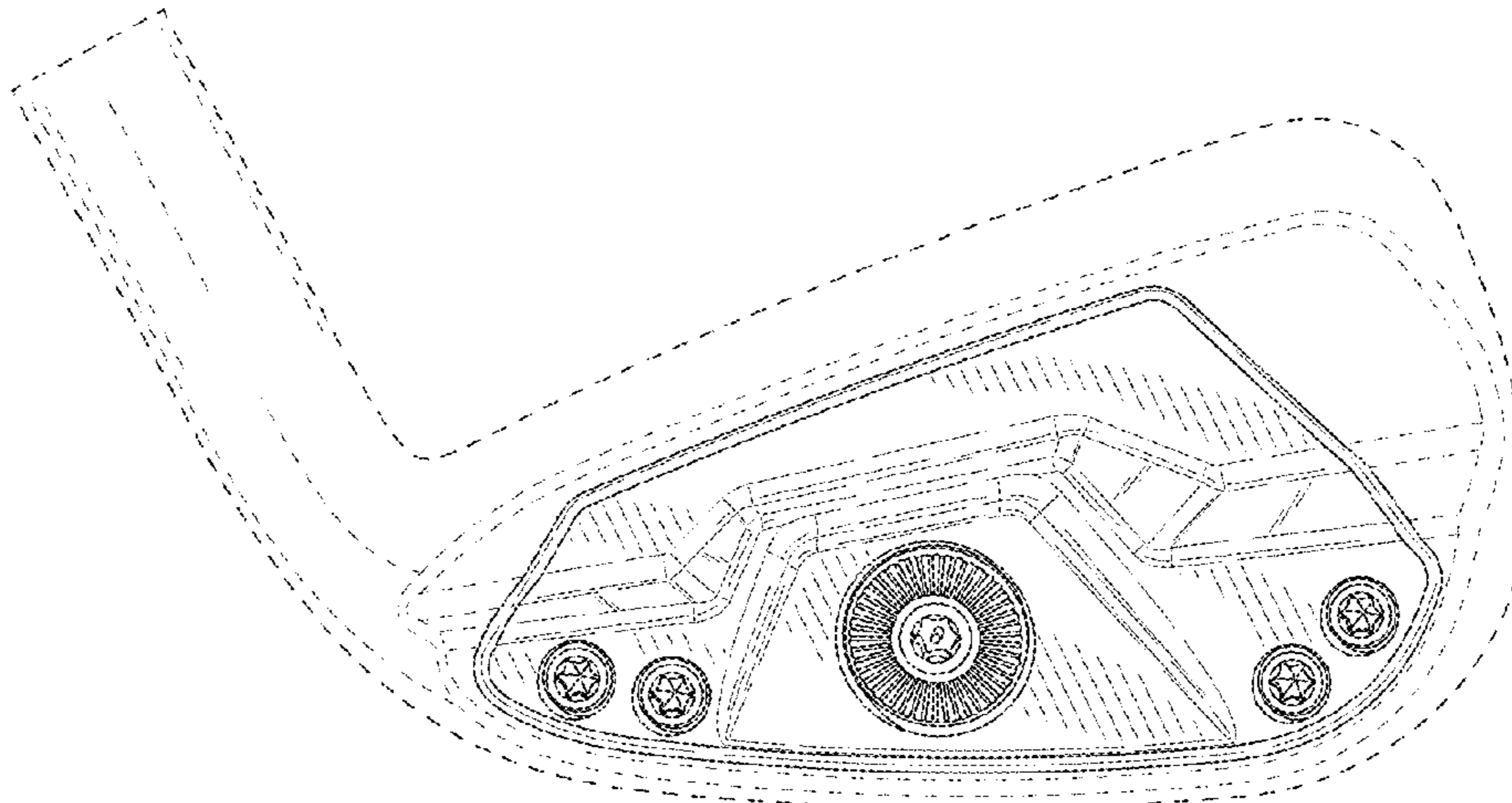
Related U.S. Application Data

- (60) Division of application No. 29/767,421, filed on Jan. 22, 2021, now Pat. No. Des. 922,506, which is a continuation-in-part of application No. 29/745,151, filed on Aug. 4, 2020, now Pat. No. Des. 916,220.
- (51) **LOC (13) Cl.** **21-02**
- (52) **U.S. Cl.**
USPC **D21/759**
- (58) **Field of Classification Search**
USPC D21/747-751, 759
CPC A63B 53/00; A63B 53/02; A63B 53/04;
A63B 53/047; A63B 53/0475; A63B
2053/0479; A63B 2053/0483; A63B
2053/0445; A63B 60/00; A63B 60/46
See application file for complete search history.

References Cited

U.S. PATENT DOCUMENTS

1,133,129 A	3/1915	Govan
2,254,528 A	9/1941	Hoare
D164,469 S	9/1951	Behrendt



US D956,903 S

6,290,609 B1	9/2001	Takeda	D572,327 S	7/2008	Diaz et al.
D449,866 S	10/2001	Miller	D572,328 S	7/2008	Diaz et al.
D457,211 S	5/2002	Bakke	D572,329 S	7/2008	Nicolette et al.
D458,328 S	6/2002	Solheim et al.	D573,219 S	7/2008	Schweigert et al.
D469,833 S	2/2003	Roberts et al.	7,396,299 B2	7/2008	Nicolette et al.
D473,605 S	4/2003	Petersen et al.	7,413,518 B2	8/2008	Cole et al.
D475,107 S	5/2003	Madore	D577,783 S	9/2008	Schweigert et al.
D476,048 S	6/2003	Cleveland et al.	D578,590 S	10/2008	Schweigert et al.
D478,949 S	8/2003	DeLaCruz	D581,000 S	11/2008	Nicolette et al.
D479,568 S	9/2003	Rodgers et al.	D581,004 S	11/2008	Schweigert et al.
6,638,162 B2	10/2003	Bennett	D584,370 S	1/2009	Cleveland et al.
6,638,182 B2	10/2003	Kosmatka	D584,371 S	1/2009	Chick et al.
6,695,714 B1	2/2004	Bliss et al.	D585,103 S	1/2009	Foster et al.
6,702,693 B2	3/2004	Bamber	D586,414 S	2/2009	Foster et al.
D488,201 S	4/2004	Wahl et al.	D587,327 S	2/2009	Ines et al.
D492,376 S	6/2004	Nicolette et al.	D594,518 S	6/2009	Schweigert
D494,240 S	8/2004	Schweigert	D596,256 S	7/2009	Schweigert et al.
D494,648 S	8/2004	Schweigert et al.	D596,257 S	7/2009	Jertson et al.
6,780,123 B2	8/2004	Hasebe	D596,258 S	7/2009	Jertson et al.
D497,963 S	11/2004	Toulon et al.	D596,688 S	7/2009	Schweigert et al.
6,811,496 B2	11/2004	Wahl et al.	D597,158 S	7/2009	Schweigert et al.
D499,779 S	12/2004	Mahaffey et al.	D601,216 S	9/2009	Jertson et al.
D500,350 S	12/2004	Schweigert et al.	7,588,502 B2	9/2009	Nishino
D500,351 S	12/2004	Schweigert et al.	7,601,075 B2	10/2009	Cole et al.
D502,237 S	2/2005	Schweigert et al.	D604,783 S	11/2009	Nicolette et al.
D502,975 S	3/2005	Schweigert et al.	7,611,424 B2	11/2009	Nagai et al.
D503,204 S	3/2005	Nicolette et al.	D606,605 S	12/2009	Wada et al.
D504,925 S	5/2005	Schweigert et al.	D607,070 S	12/2009	Wada et al.
D505,171 S	5/2005	Schweigert et al.	D607,071 S	12/2009	Wada et al.
D507,320 S	7/2005	Roberts et al.	7,658,686 B2	2/2010	Soracco
D507,614 S	7/2005	Schweigert et al.	D612,438 S	3/2010	Carlyle et al.
D508,099 S	8/2005	Schweigert et al.	D612,439 S	3/2010	Carlyle et al.
D508,545 S	8/2005	Roberts et al.	D617,406 S	6/2010	Carlyle et al.
6,923,733 B2	8/2005	Chen	D618,293 S	6/2010	Foster et al.
D514,183 S	1/2006	Schweigert et al.	7,736,243 B2	6/2010	Sanchez et al.
D516,650 S	3/2006	Wolfe et al.	7,744,484 B1	6/2010	Chao
D517,626 S	3/2006	Gilbert et al.	D621,893 S	8/2010	Nicolette et al.
D518,863 S	4/2006	Motoyoshi et al.	D621,894 S	8/2010	Schweigert
D521,095 S	5/2006	Nagai et al.	D621,895 S	8/2010	Schweigert et al.
D523,501 S	6/2006	Nicolette et al.	7,798,917 B2	9/2010	Nguyen et al.
D523,917 S	6/2006	Wolfe et al.	7,815,521 B2	10/2010	Ban et al.
D524,889 S	7/2006	Yu et al.	D627,409 S	11/2010	Schweigert et al.
D530,759 S	10/2006	Nicolette et al.	D627,410 S	11/2010	Nicolette et al.
D530,760 S	10/2006	Schweigert et al.	7,846,040 B2	12/2010	Ban
7,121,956 B2	10/2006	Lo	D633,159 S	2/2011	Holt et al.
7,128,663 B2	10/2006	Bamber	D633,967 S	3/2011	Carlyle et al.
D531,688 S	11/2006	Frame et al.	D635,627 S	4/2011	Nicolette
D532,849 S	11/2006	Nicolette et al.	7,938,738 B2	5/2011	Roach
D533,610 S	12/2006	Cleveland	D642,642 S	8/2011	Jertson et al.
D534,228 S	12/2006	Nicolette et al.	D643,488 S	8/2011	Holt et al.
D534,595 S	1/2007	Hasebe	D643,490 S	8/2011	Wada et al.
D534,597 S	1/2007	Nicolette et al.	D643,491 S	8/2011	Stokke et al.
7,156,751 B2	1/2007	Wahl et al.	D643,492 S	8/2011	Nicolette et al.
D536,759 S	2/2007	Schweigert et al.	D643,895 S	8/2011	Wieland
D537,494 S	2/2007	Jertson et al.	D643,896 S	8/2011	Jertson et al.
7,182,698 B2	2/2007	Tseng	D647,582 S	10/2011	Nicolette et al.
D538,366 S	3/2007	Nicolette et al.	D647,984 S	11/2011	Atwell et al.
D539,864 S	4/2007	Nicolette et al.	D649,211 S	11/2011	Jertson et al.
D540,898 S	4/2007	Solheim et al.	8,062,150 B2	11/2011	Gilbert et al.
D541,360 S	4/2007	Schweigert et al.	D651,268 S	12/2011	Nicolette et al.
7,207,900 B2	4/2007	Nicolette et al.	8,088,025 B2	1/2012	Wahl et al.
D543,601 S	5/2007	Kawami	8,092,319 B1	1/2012	Cackett et al.
D544,056 S	6/2007	Nicolette et al.	8,105,180 B1	1/2012	Cackett et al.
D547,410 S	7/2007	Nicolette et al.	8,142,307 B2	3/2012	Sanchez et al.
D555,219 S	11/2007	Lin	D658,248 S	4/2012	Nunez et al.
7,303,486 B2	12/2007	Imamoto	D659,780 S	5/2012	Llewellyn et al.
D559,932 S	1/2008	Belmont	8,221,262 B1	7/2012	Cackett et al.
D561,855 S	2/2008	Schweigert et al.	8,246,487 B1	8/2012	Cackett et al.
D562,925 S	2/2008	Schweigert et al.	D670,775 S	11/2012	Jertson et al.
7,351,164 B2	4/2008	Schweigert et al.	D672,417 S	12/2012	Jertson et al.
D570,435 S	6/2008	Sanchez et al.	8,328,662 B2	12/2012	Nakamura et al.
D570,935 S	6/2008	Nicolette et al.	D673,633 S	1/2013	Jertson et al.
D570,936 S	6/2008	Schweigert et al.	D673,634 S	1/2013	Jertson et al.
D570,942 S	6/2008	Chen et al.	8,376,878 B2	2/2013	Bennett et al.
D571,422 S	6/2008	Schweigert et al.	D680,603 S	4/2013	Nicolette et al.
D571,425 S	6/2008	Chen et al.	D681,142 S	4/2013	Fossum et al.
D571,427 S	6/2008	Schweigert et al.	D681,143 S	4/2013	Nicolette et al.
D571,881 S	6/2008	Nicolette et al.	8,414,422 B2	4/2013	Peralta et al.
D572,326 S	7/2008	Schweigert et al.	8,506,420 B2	8/2013	Hocknell et al.

8,545,343	B2	10/2013	Boyd et al.	2008/0188322	A1	8/2008	Anderson et al.
8,574,094	B2	11/2013	Nicolette et al.	2008/0300065	A1	12/2008	Schweigert
8,657,700	B2	2/2014	Nicolette et al.	2009/0029790	A1	1/2009	Nicolette et al.
8,663,026	B2	3/2014	Blowers et al.	2010/0130306	A1	5/2010	Schweigert
8,690,710	B2	4/2014	Nicolette et al.	2010/0178999	A1	7/2010	Nicolette et al.
D707,316	S	6/2014	Aguayo et al.	2011/0111683	A1	5/2011	Kelnhofer
D707,317	S	6/2014	Aguayo et al.	2011/0111883	A1	5/2011	Cackett
8,753,230	B2	6/2014	Stokke et al.	2011/0165963	A1	7/2011	Cackett et al.
D708,688	S	7/2014	Nicolette et al.	2011/0269567	A1	11/2011	Ban et al.
8,827,832	B2	9/2014	Breier et al.	2011/0294596	A1	12/2011	Ban
8,827,833	B2	9/2014	Amano et al.	2012/0267410	A1	10/2012	Loudenslager et al.
8,845,455	B2	9/2014	Ban et al.	2013/0137532	A1	5/2013	Deshmukh et al.
D716,387	S	10/2014	Aguayo et al.	2013/0225319	A1	8/2013	Kato
D716,388	S	10/2014	Aguayo et al.	2013/0281226	A1	10/2013	Ban
D716,391	S	10/2014	Roche et al.	2013/0288823	A1	10/2013	Hebreo
D719,627	S	12/2014	Wieland et al.	2013/0303303	A1	11/2013	Ban
D722,352	S	2/2015	Nicolette et al.	2013/0310192	A1	11/2013	Wahl et al.
D723,120	S	2/2015	Nicolette	2014/0080621	A1	3/2014	Nicolette et al.
8,961,336	B1	2/2015	Parsons et al.	2014/0128175	A1	5/2014	Jertson et al.
D726,265	S	4/2015	Nicolette	2014/0274441	A1	9/2014	Greer
9,199,143	B1	12/2015	Parsons et al.	2014/0274451	A1	9/2014	Knight et al.
D746,749	S	1/2016	Baum	2015/0136825	A1	5/2015	Kalck et al.
D746,926	S	1/2016	Parsons et al.	2015/0231454	A1	8/2015	Parsons et al.
D748,214	S	1/2016	Nicolette et al.	2015/0231806	A1	8/2015	Parsons et al.
D748,749	S	2/2016	Nicolette et al.	2019/0247726	A1*	8/2019	Parsons A63B 60/52
D756,471	S	5/2016	Nicolette et al.				
9,345,938	B2	5/2016	Parsons et al.				
D762,792	S	8/2016	Oliveiro et al.				
D762,793	S	8/2016	Takechi et al.				
D764,610	S	8/2016	Parsons et al.				
9,421,437	B2	8/2016	Parsons et al.				
9,427,634	B2	8/2016	Parsons et al.				
9,468,821	B2	10/2016	Parsons et al.				
D773,574	S	12/2016	Oliveiro et al.				
D773,575	S	12/2016	Nicolette				
9,533,201	B2	1/2017	Parsons et al.				
9,610,481	B2	4/2017	Parsons et al.				
9,649,542	B2	5/2017	Nicolette				
D795,979	S	8/2017	Parsons et al.				
9,764,208	B1	9/2017	Parsons et al.				
D802,068	S	11/2017	Parsons et al.				
D816,787	S	5/2018	Nicolette et al.				
D825,891	S	8/2018	Parsons et al.				
D827,065	S	8/2018	Nicolette				
D829,837	S	10/2018	Wolfe				
D832,953	S	11/2018	Bacon et al.				
D835,737	S	12/2018	Parsons et al.				
D852,302	S *	6/2019	Parsons D21/747				
D856,450	S	8/2019	Milleman et al.				
D856,451	S	8/2019	Parsons et al.				
D857,820	S	8/2019	Marukawa et al.				
D859,547	S	9/2019	Stokke et al.				
D863,478	S	10/2019	Parsons et al.				
10,632,349	B2 *	4/2020	Parsons A63B 53/04				
D893,647	S *	8/2020	Parsons D21/747				
D893,648	S *	8/2020	Parsons D21/747				
D894,302	S *	8/2020	Parsons D21/747				
D898,143	S *	10/2020	Parsons D21/747				
D898,144	S *	10/2020	Parsons D21/747				
D898,145	S *	10/2020	Parsons D21/747				
D915,535	S *	4/2021	Parsons D21/747				
D916,220	S *	4/2021	Parsons D21/747				
D922,506	S *	6/2021	Parsons D21/747				
D935,542	S *	11/2021	Parsons D21/747				
D940,262	S *	1/2022	Parsons D21/747				
2002/0107087	A1	8/2002	Fagot				
2003/0139226	A1	7/2003	Cheng et al.				
2003/0176231	A1	9/2003	Hasebe				
2004/0204263	A1	10/2004	Fagot et al.				
2005/0009632	A1	1/2005	Schweigert et al.				
2005/0014573	A1	1/2005	Lee				
2005/0096148	A1	5/2005	Noble et al.				
2005/0119066	A1	6/2005	Stites et al.				
2005/0239569	A1	10/2005	Best et al.				
2005/0277485	A1	12/2005	Hou et al.				
2006/0111200	A1	5/2006	Poynor				
2007/0032308	A1	2/2007	Fagot et al.				
2007/0225084	A1	9/2007	Schweigert et al.				
2008/0058113	A1	3/2008	Nicolette et al.				

OTHER PUBLICATIONS

PXG golf clubs google search; google.com; Apr. 29, 2022.*
 PXG.com; Apr. 29, 2022.*
 Kozuchowski, Zak, "Callaway Mack Daddy 2 PM Grind Wedges" (<http://golfwrz.com/276203/callaway-mack-daddy-2-pm-grind-wedges/>), www.golfwrz.com, Golfwrz Holdings, LLC, published Jan. 21, 2015.
 PCT/US2015/016666: International Search Report and Written Opinion dated May 14, 2015 (8 Pages).
 Wall, Jonathan, "Details: Phil's Prototype Mack Daddy PM-Grind Wedge," <http://www.pgatour.com/equipmentreport/2015/01/21/callaway-wedge.html>), www.pgatour.com, PGA Tour, Inc., Published Jan. 21, 2015.

* cited by examiner

Primary Examiner — Mitchell I. Siegel

(57) CLAIM

The ornamental design for a golf club head, as shown and described.

DESCRIPTION

FIG. 1 is a top perspective view of a golf club head according to a first embodiment;
 FIG. 2 is a bottom perspective view of the golf club head of FIG. 1;
 FIG. 3 is a front elevational view of the golf club head of FIG. 1;
 FIG. 4 is a rear elevational view of the golf club head of FIG. 1;
 FIG. 5 is a top view of the golf club head of FIG. 1;
 FIG. 6 is a bottom view of the golf club head of FIG. 1;
 FIG. 7 is a left side view of the golf club head of FIG. 1;
 FIG. 8 is a right side view of the golf club head of FIG. 1;
 FIG. 9 is a top perspective view of a golf club head according to a second embodiment;
 FIG. 10 is a bottom perspective view of the golf club head of FIG. 9;
 FIG. 11 is a front elevational view of the golf club head of FIG. 9;
 FIG. 12 is a rear elevational view of the golf club head of FIG. 9;

FIG. 13 is a top view of the golf club head of FIG. 9;
FIG. 14 is a bottom view of the golf club head of FIG. 9;
FIG. 15 is a left side view of the golf club head of FIG. 9;
FIG. 16 is a right side view of the golf club head of FIG. 9;
FIG. 17 is a top perspective view of a golf club head according to a third embodiment;
FIG. 18 is a bottom perspective view of the golf club head of FIG. 17;
FIG. 19 is a front elevational view of the golf club head of FIG. 17;
FIG. 20 is a rear elevational view of the golf club head of FIG. 17;
FIG. 21 is a top view of the golf club head of FIG. 17;
FIG. 22 is a bottom view of the golf club head of FIG. 17;
FIG. 23 is a left side view of the golf club head of FIG. 17;
FIG. 24 is a right side view of the golf club head of FIG. 17;
FIG. 25 is a top perspective view of a golf club head according to a fourth embodiment;
FIG. 26 is a bottom perspective view of the golf club head of FIG. 25;
FIG. 27 is a front elevational view of the golf club head of FIG. 25;
FIG. 28 is a rear elevational view of the golf club head of FIG. 25;
FIG. 29 is a top view of the golf club head of FIG. 25;
FIG. 30 is a bottom view of the golf club head of FIG. 25;
FIG. 31 is a left side view of the golf club head of FIG. 25;
and,
FIG. 32 is a right side view of the golf club head of FIG. 25.
The broken lines shown on the drawings form no part of the claimed design.

1 Claim, 16 Drawing Sheets

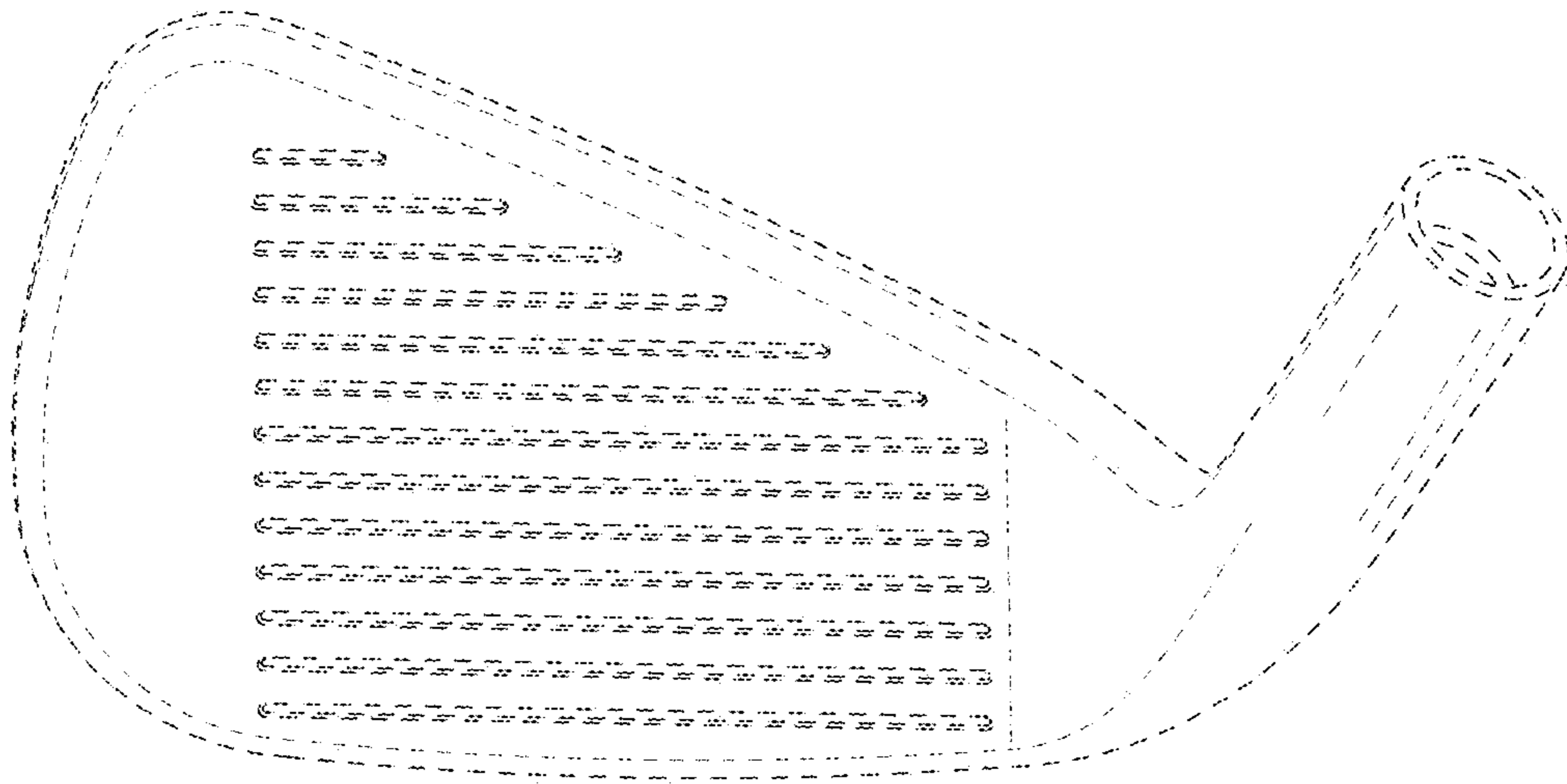


FIG. 1

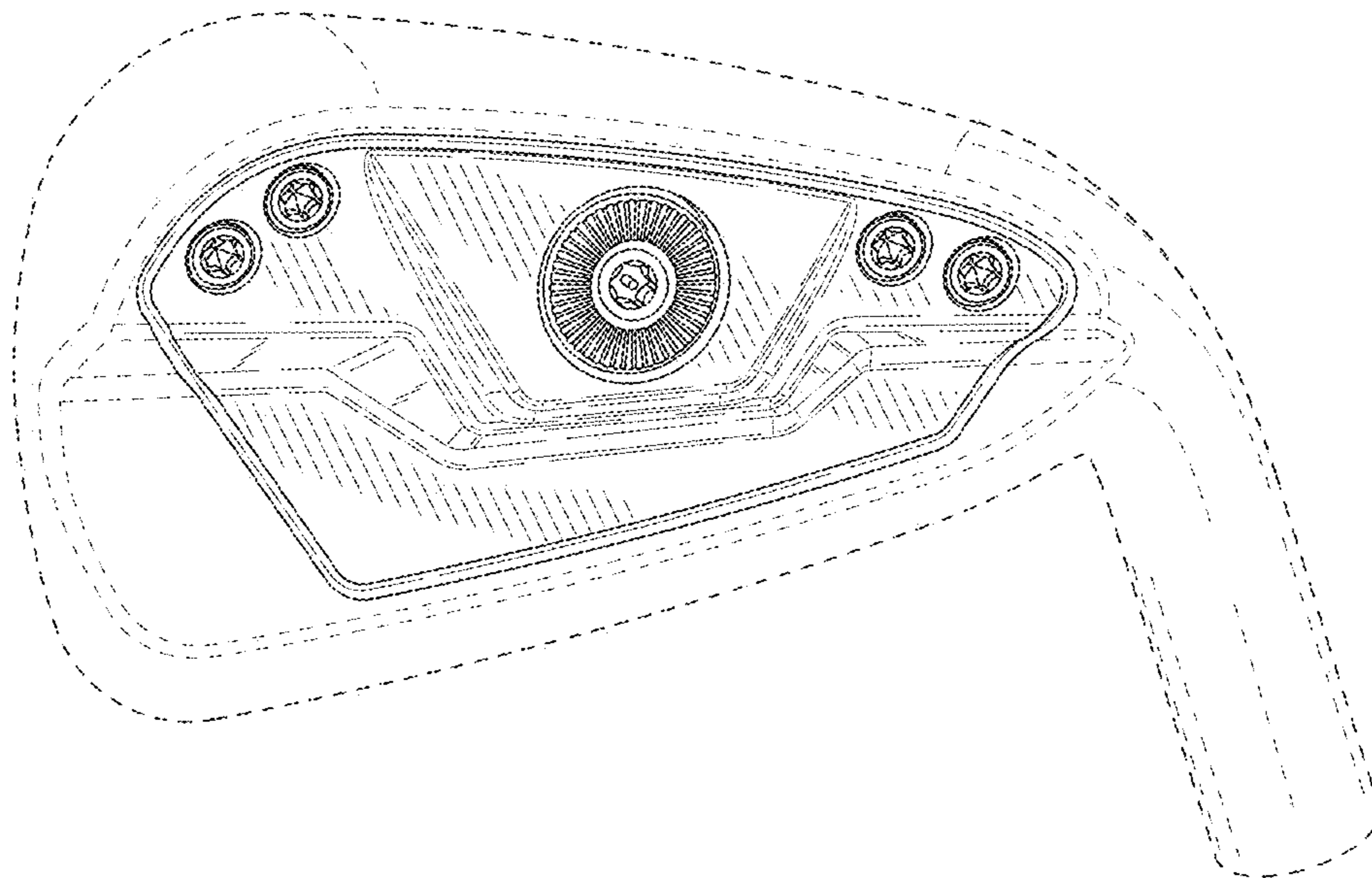


FIG. 2

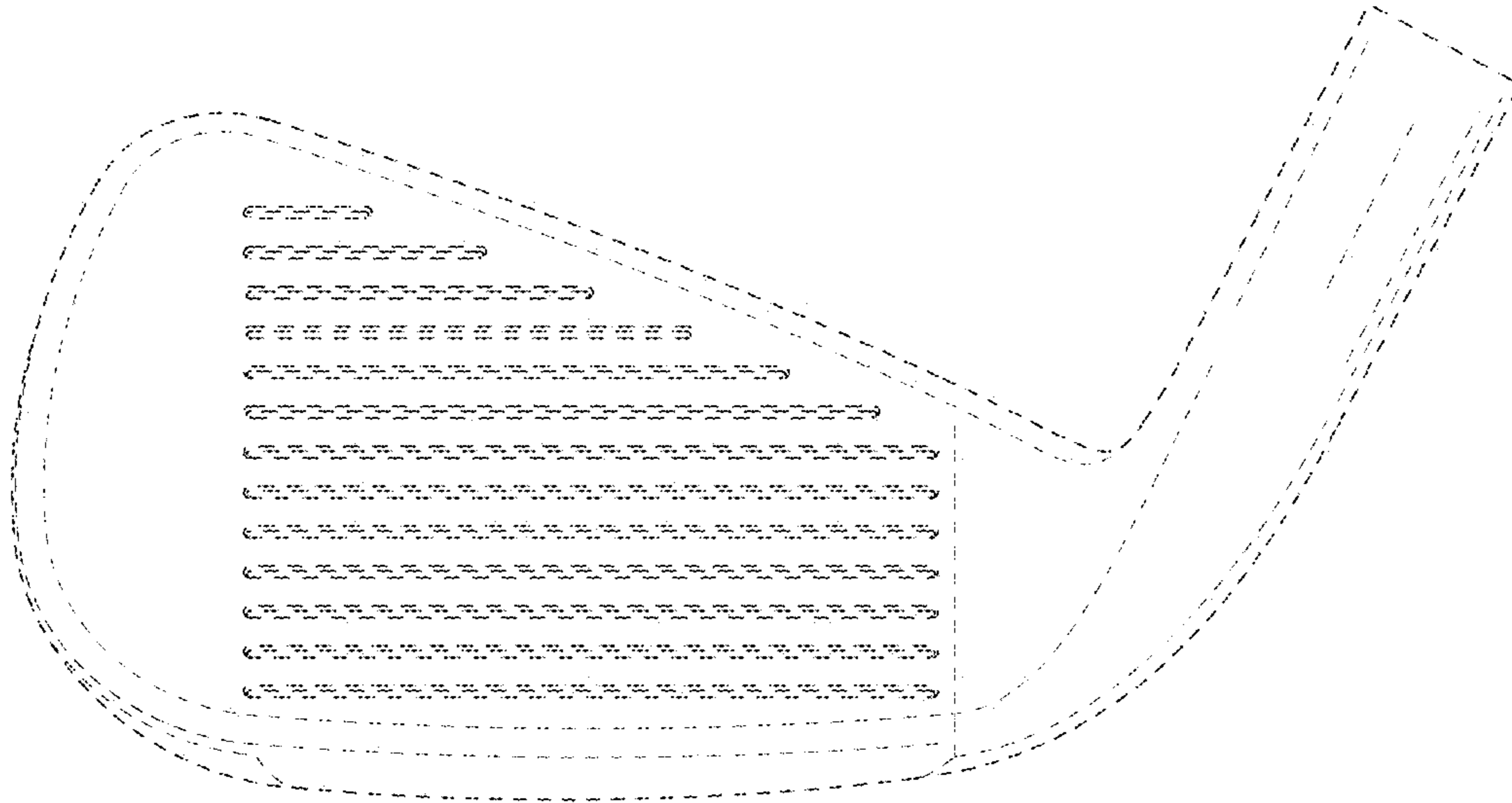


FIG. 3

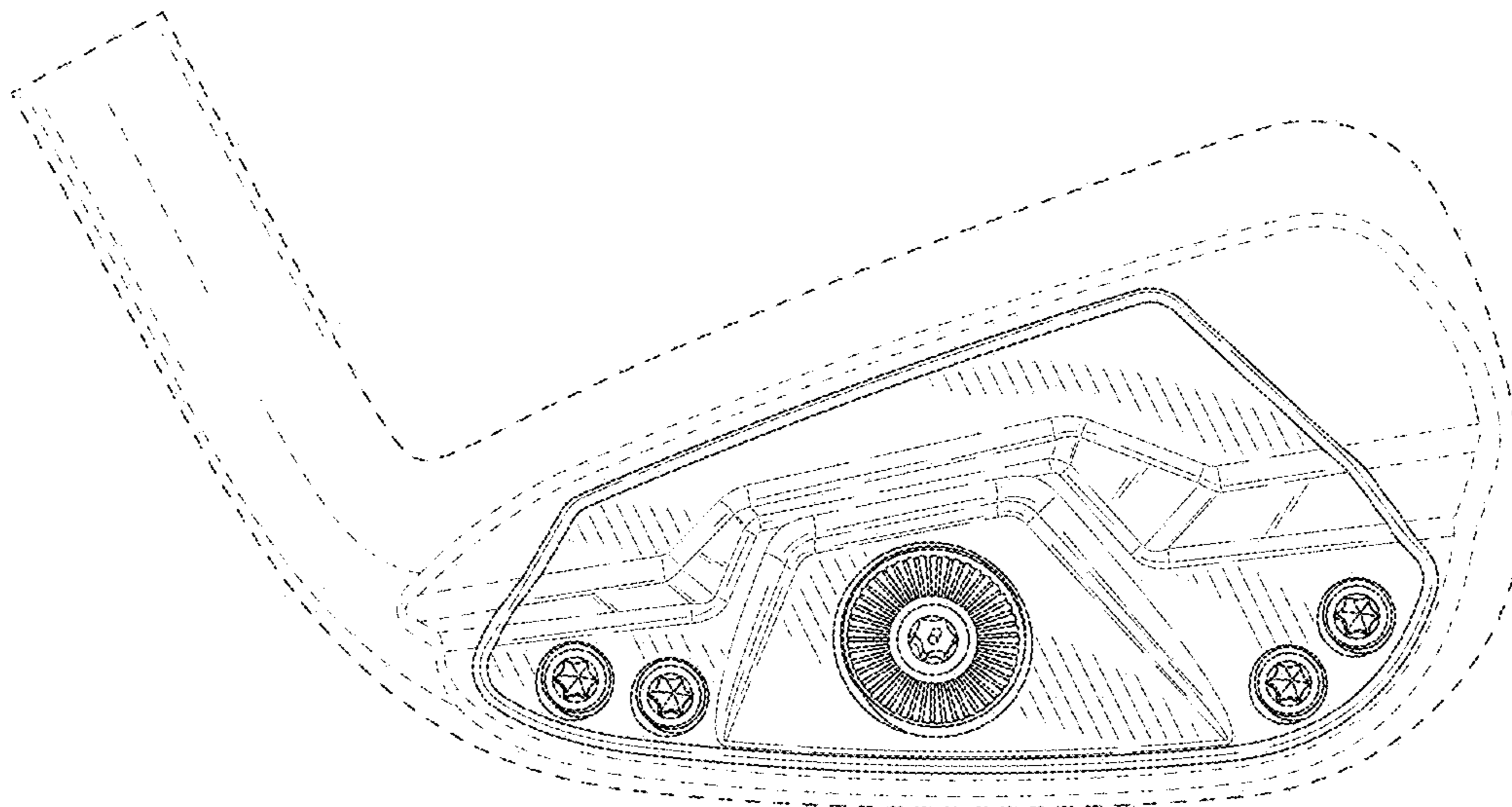


FIG. 4

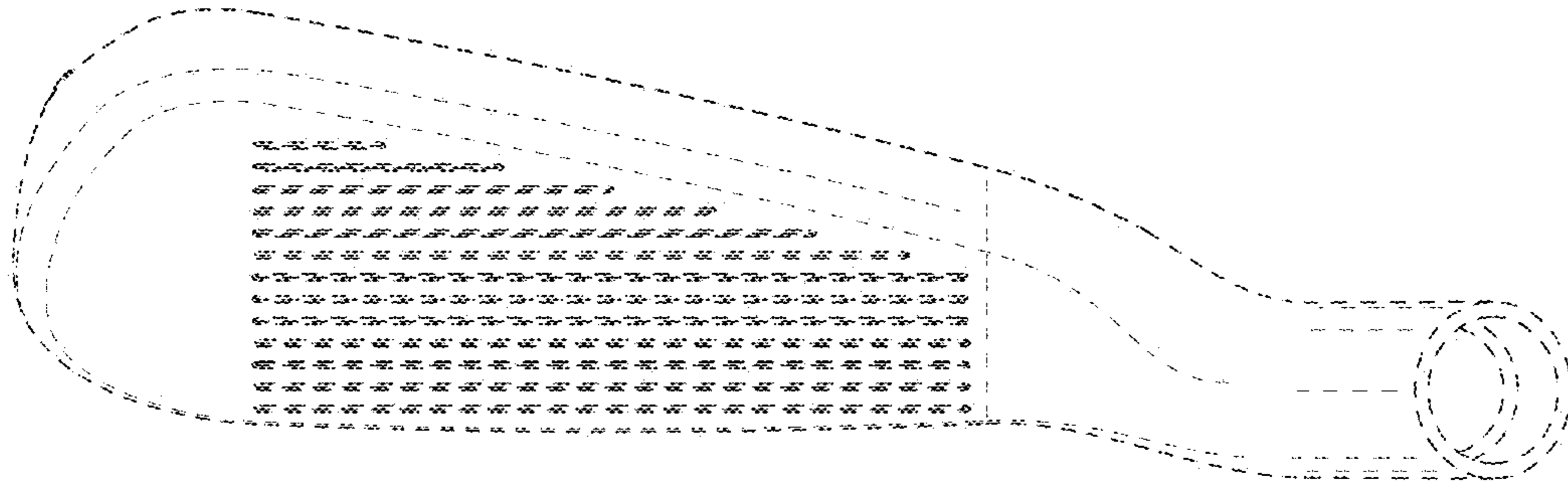


FIG. 5

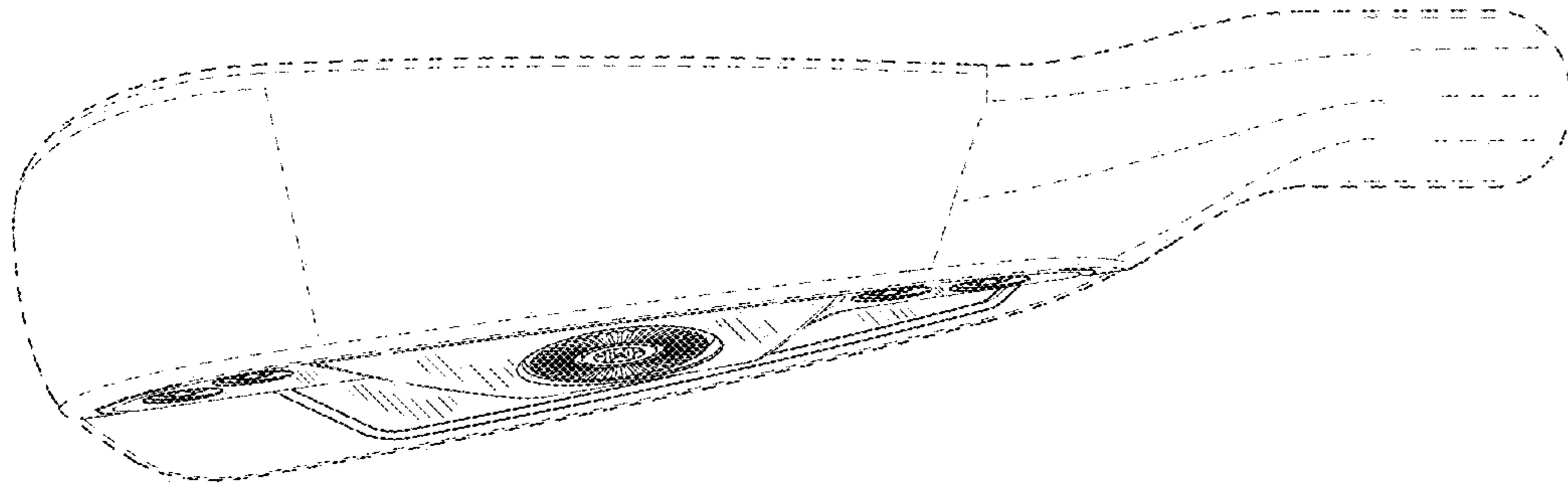


FIG. 6

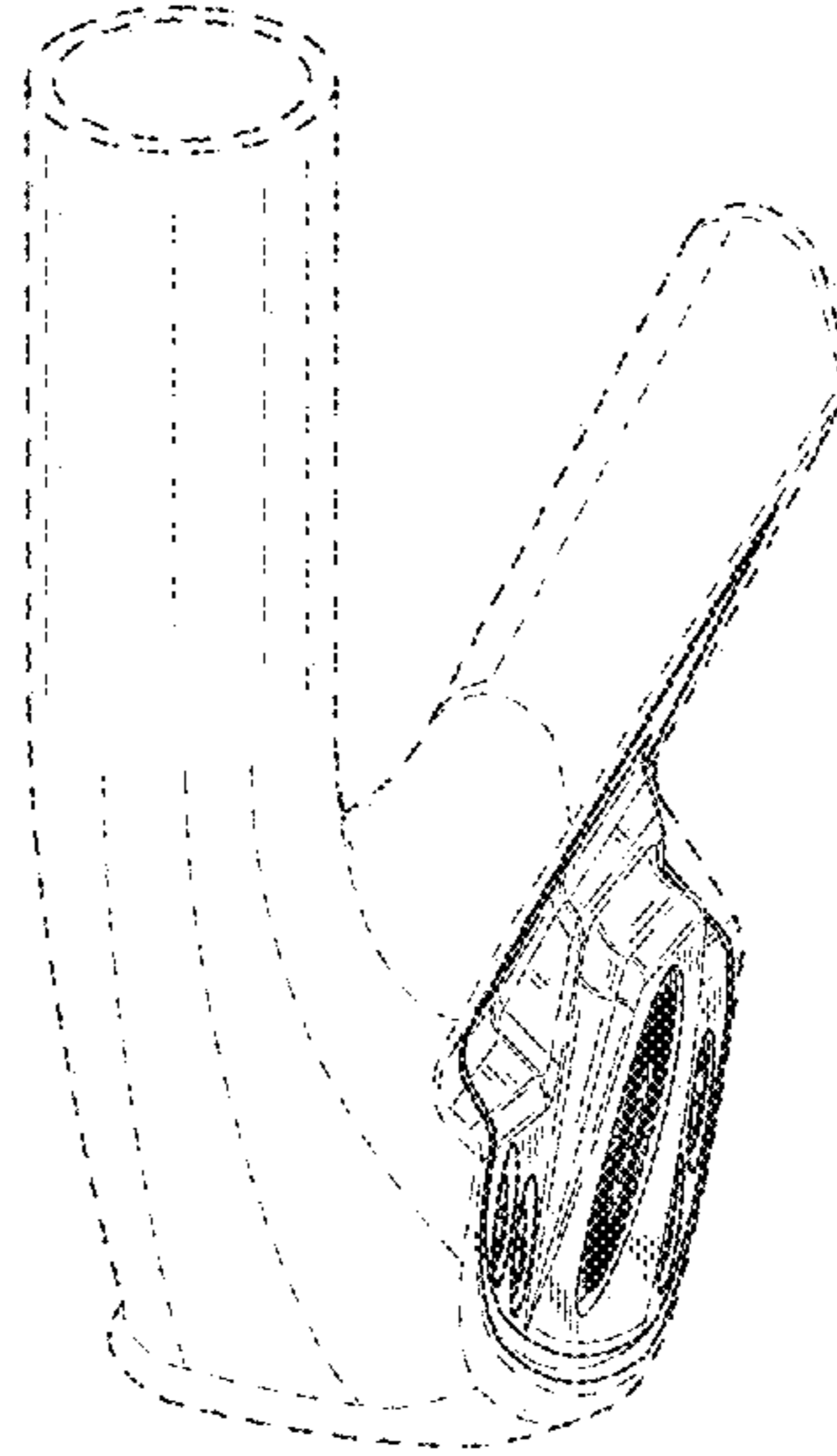


FIG. 7

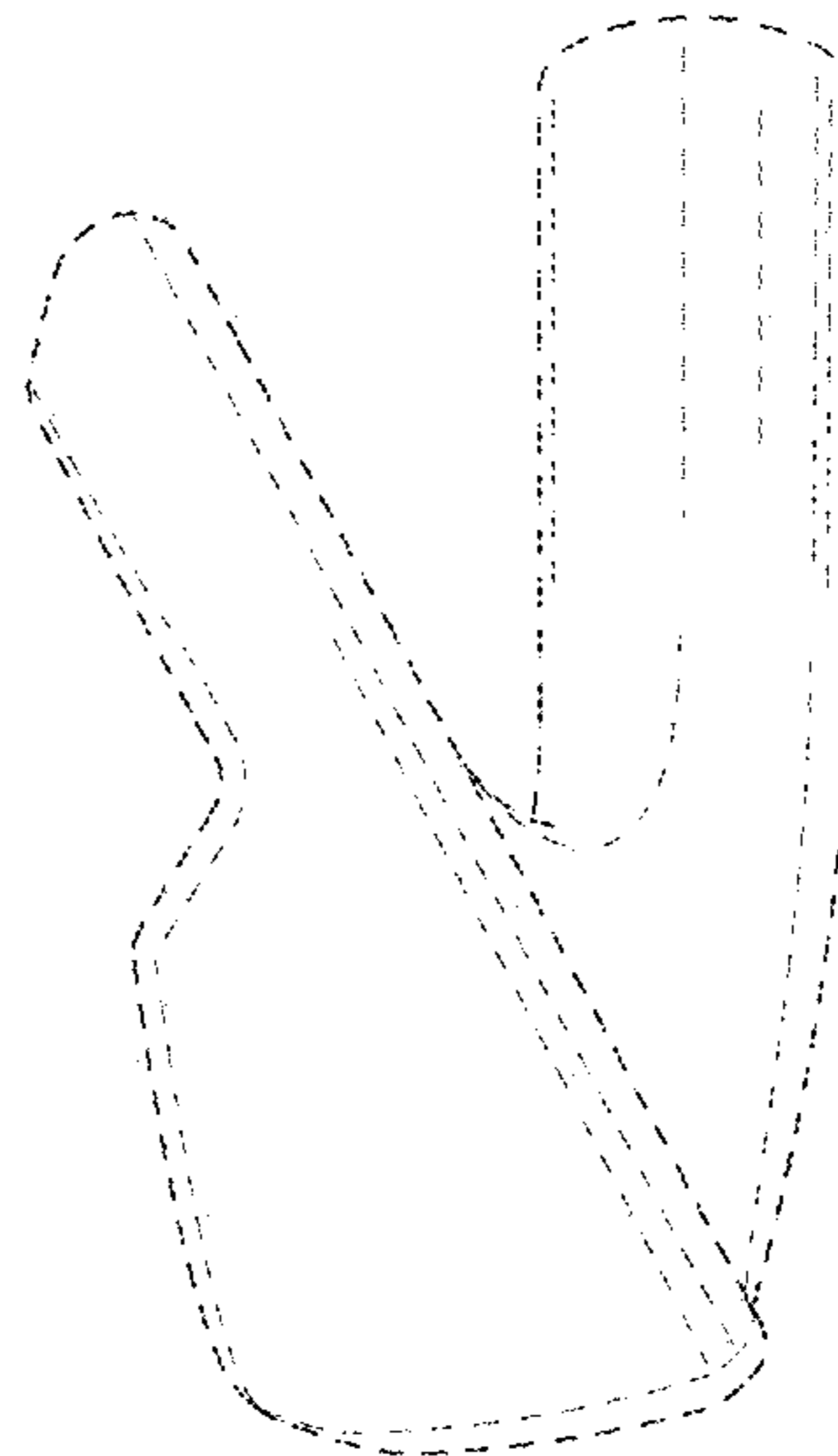


FIG. 8

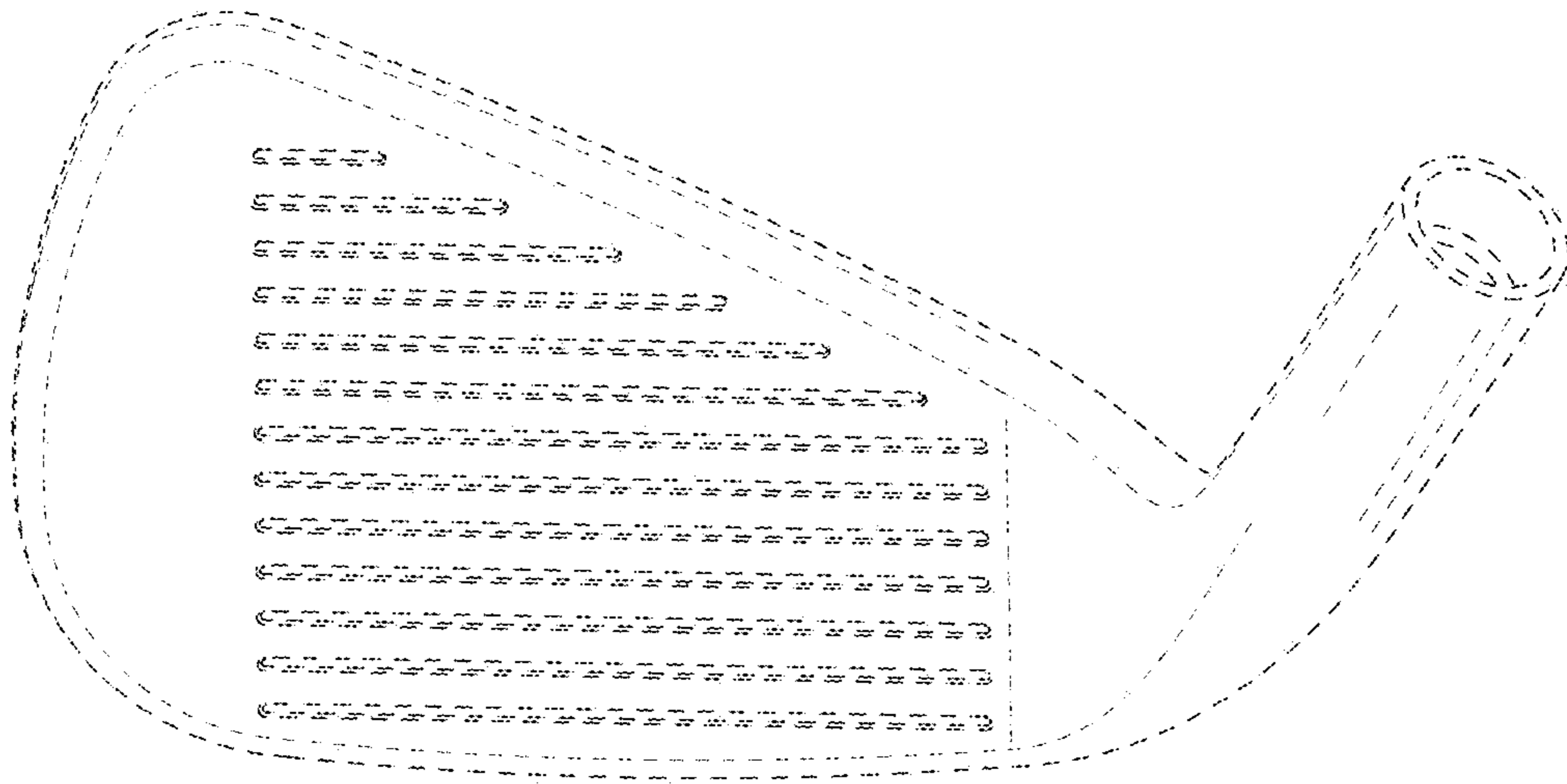


FIG. 9

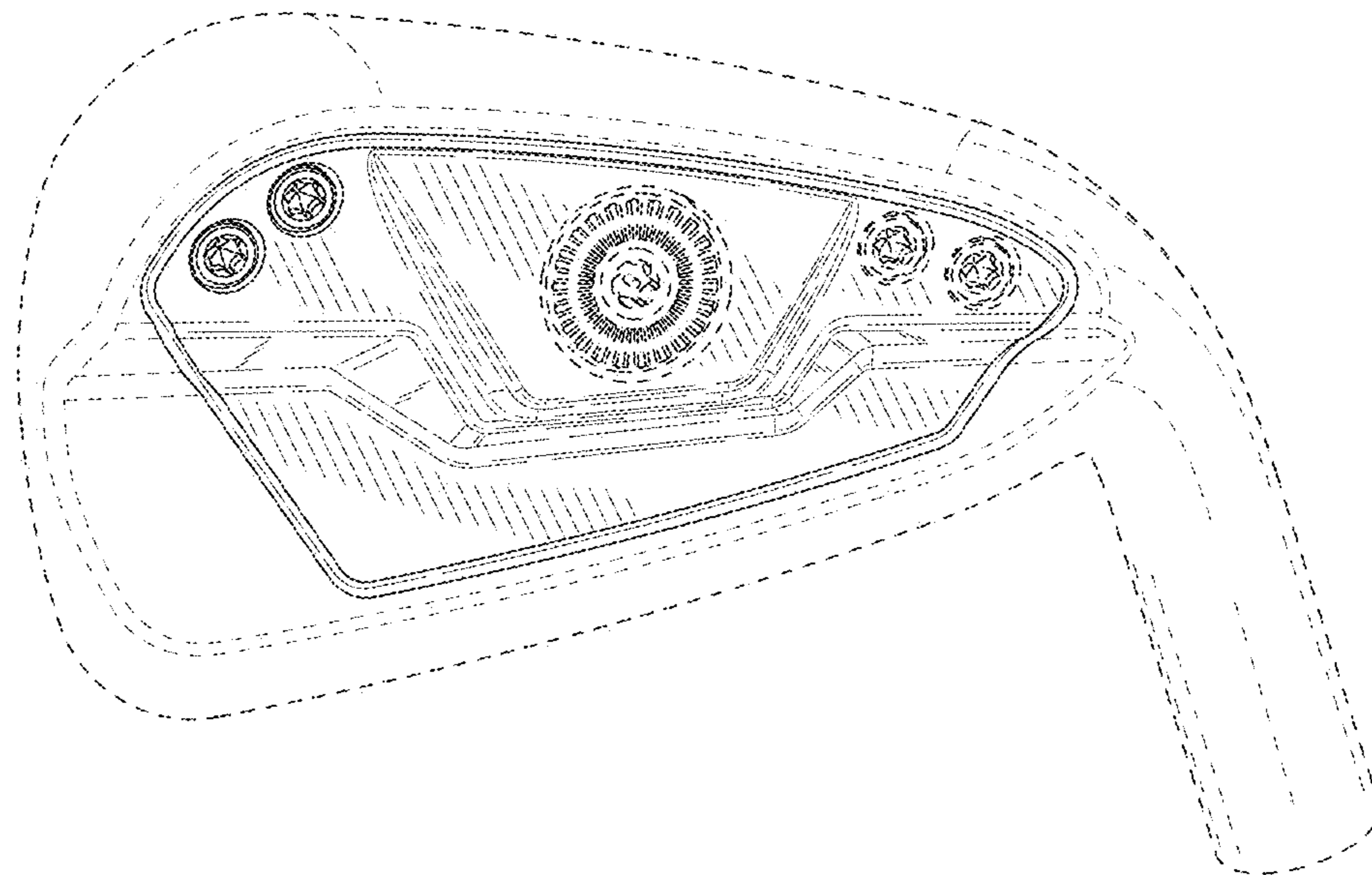


FIG. 10

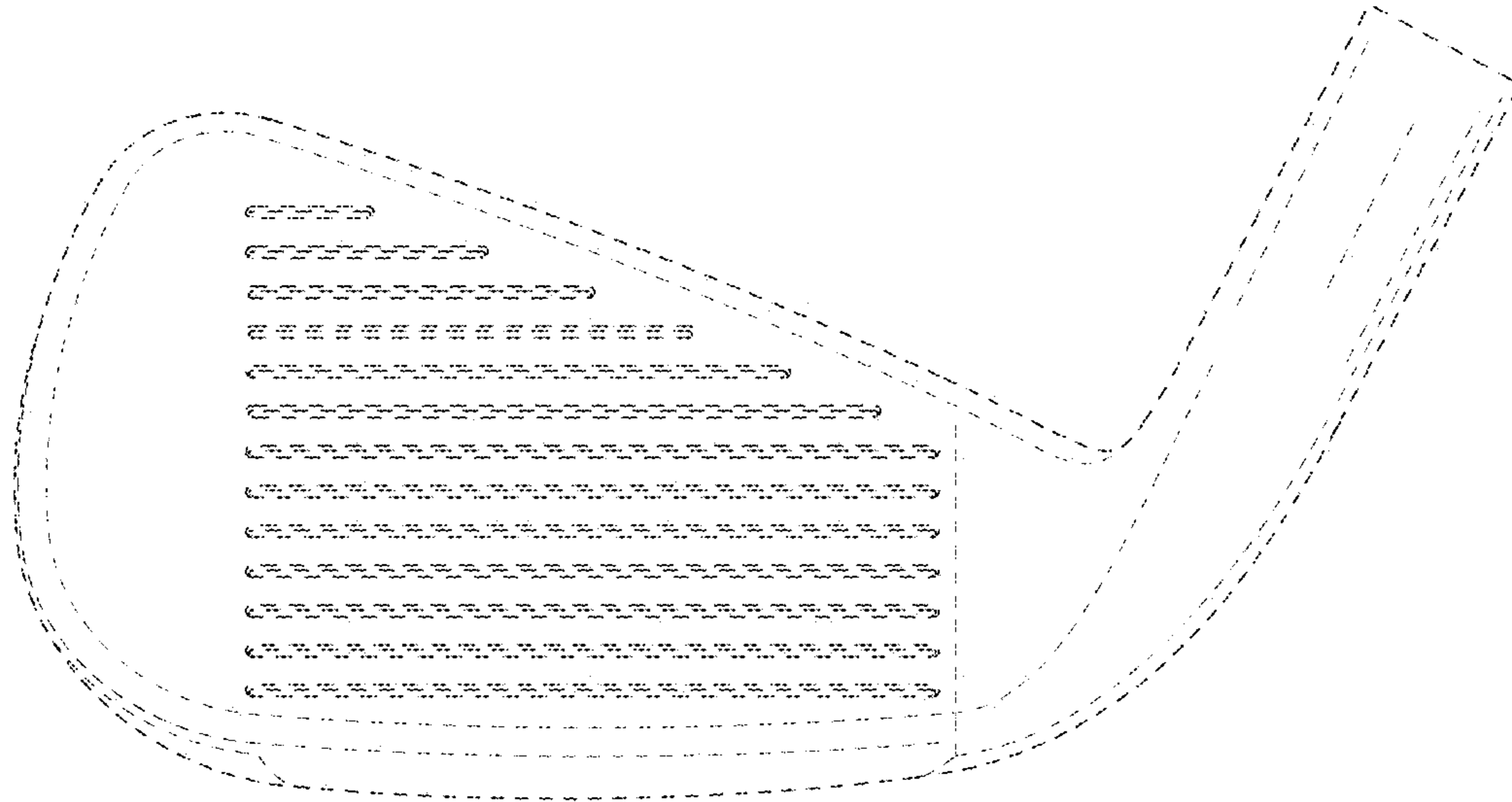


FIG. 11

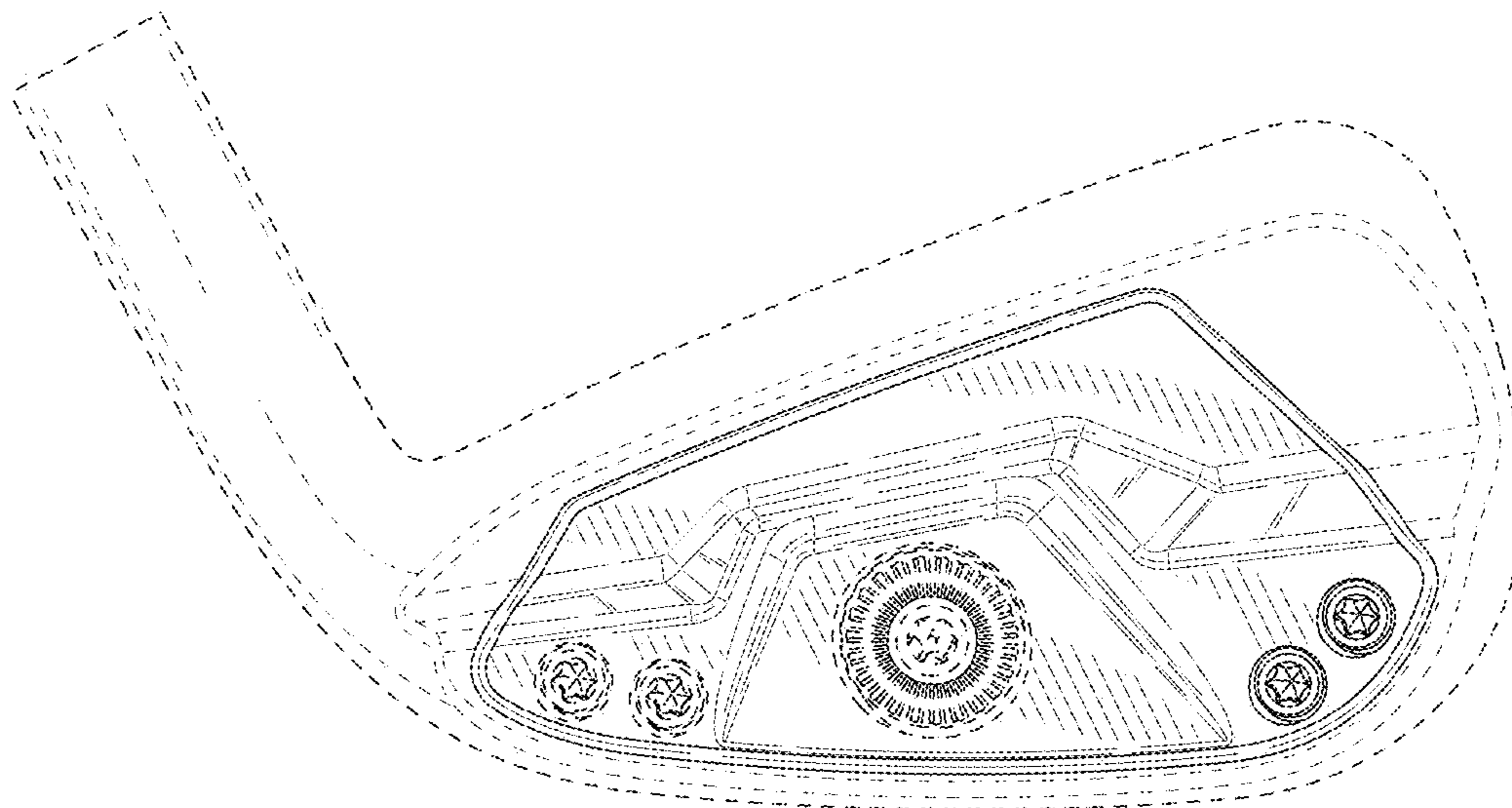


FIG. 12

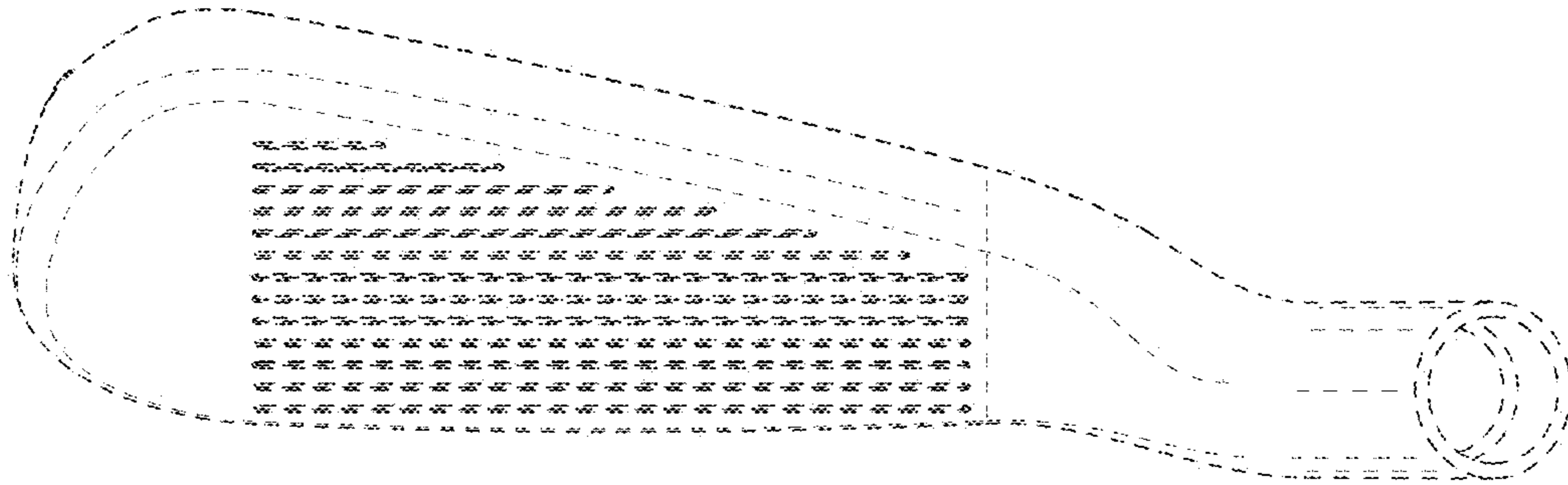


FIG. 13

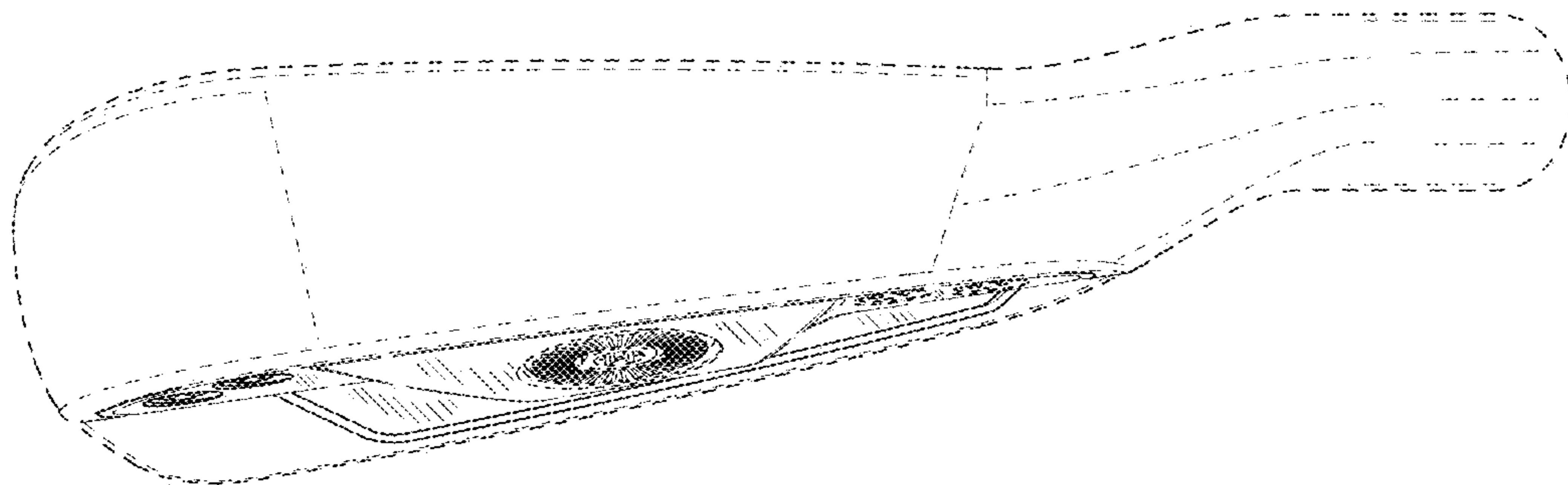


FIG. 14

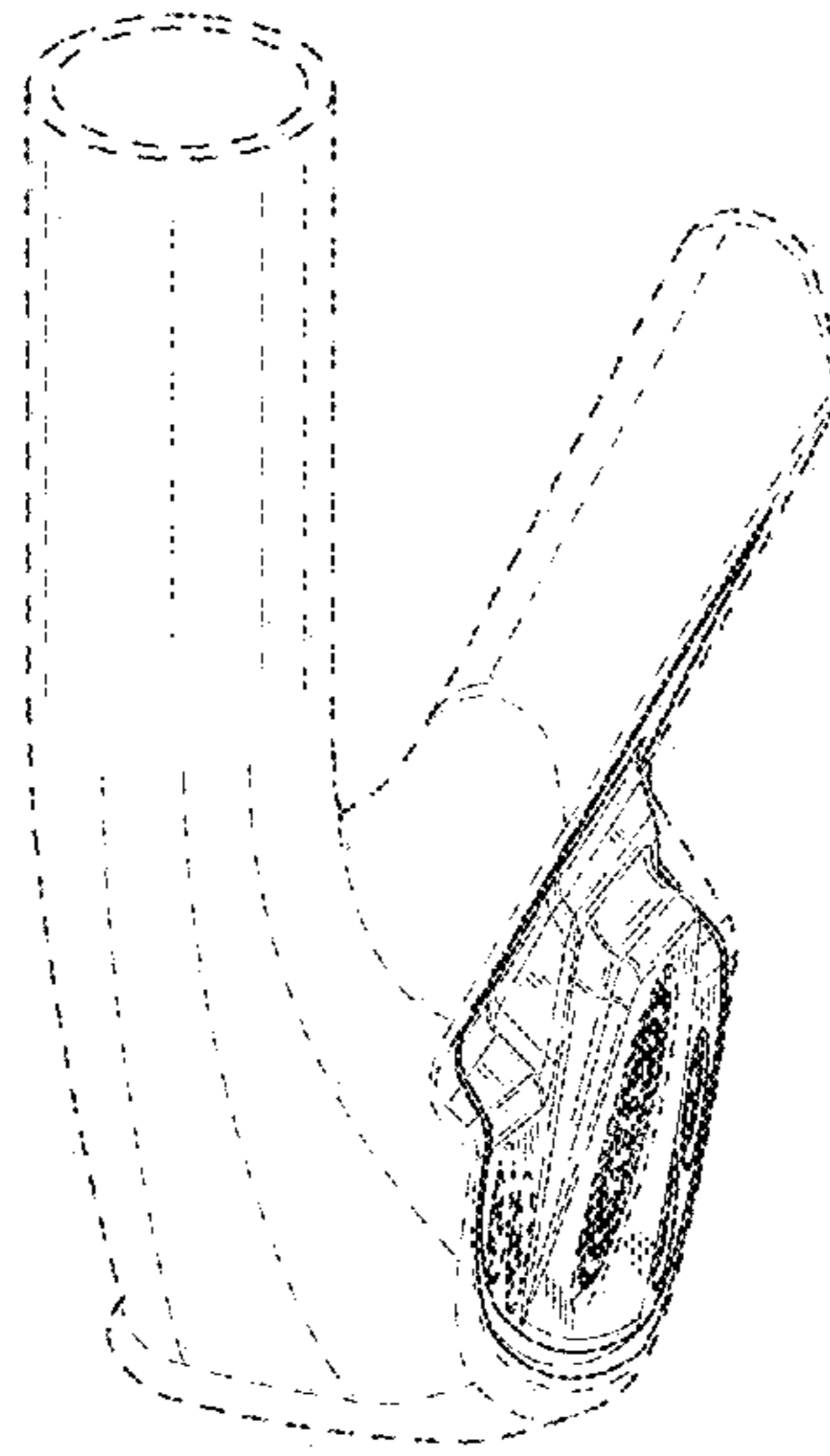


FIG. 15

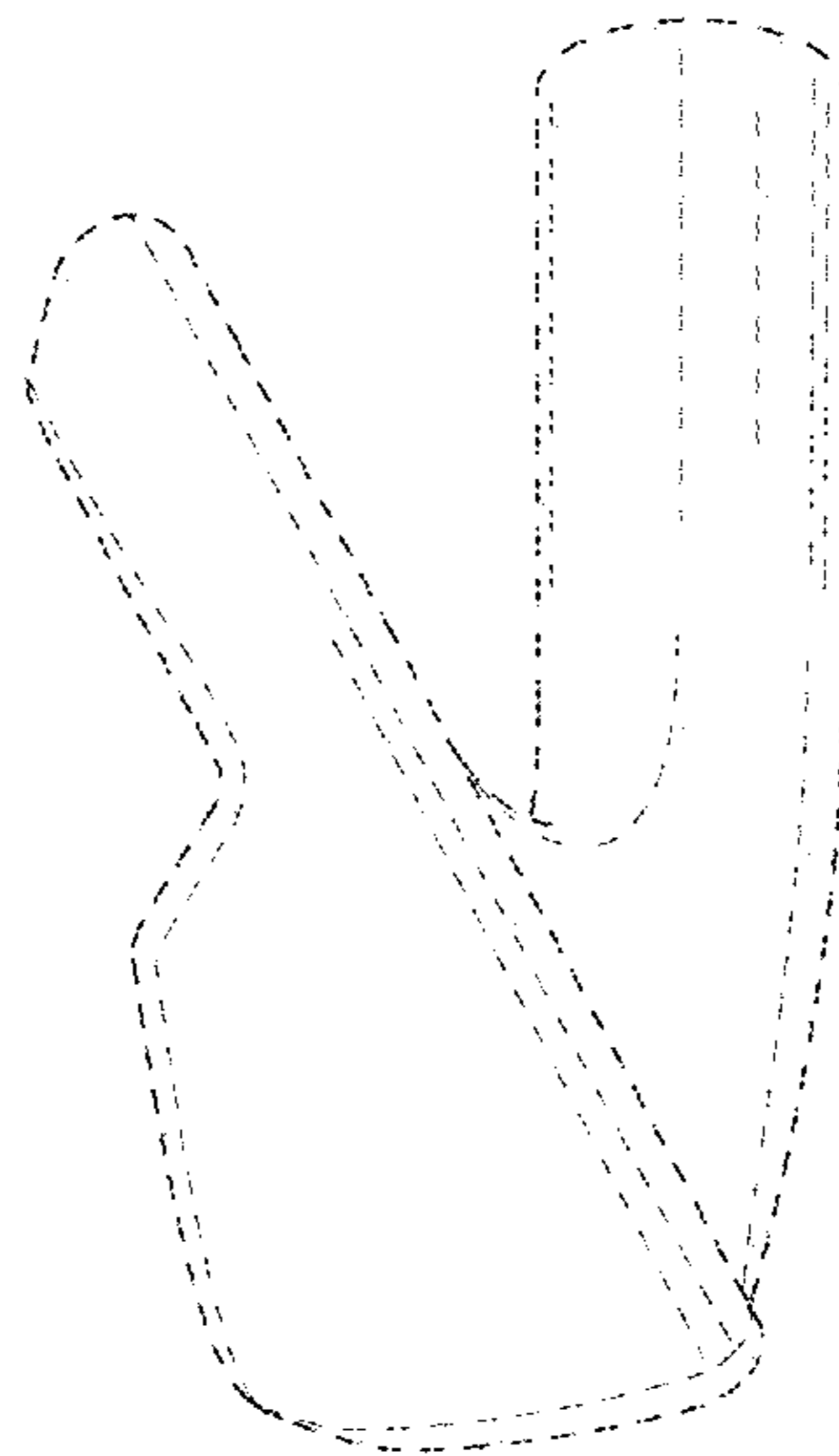


FIG. 16

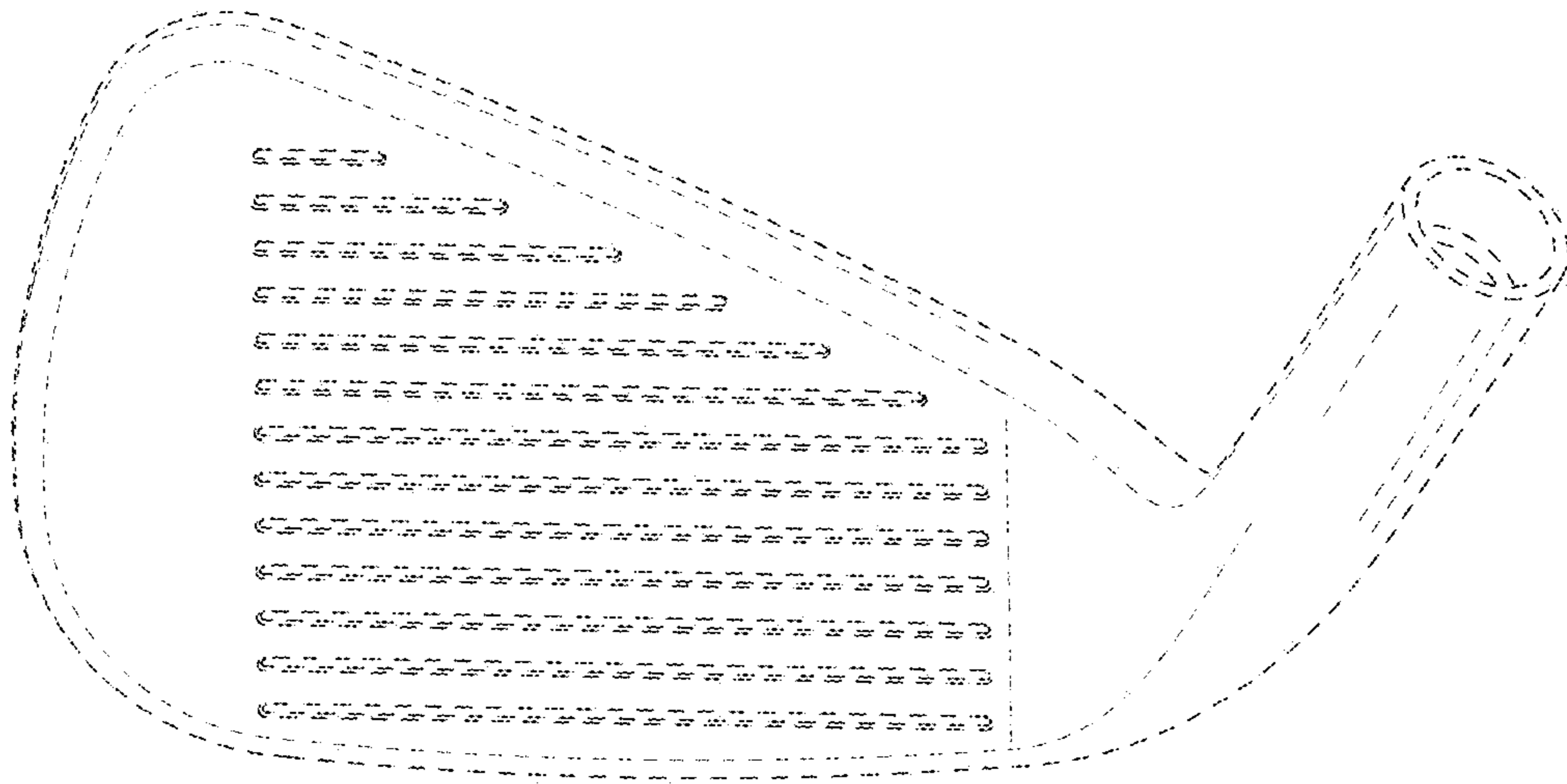


FIG. 17

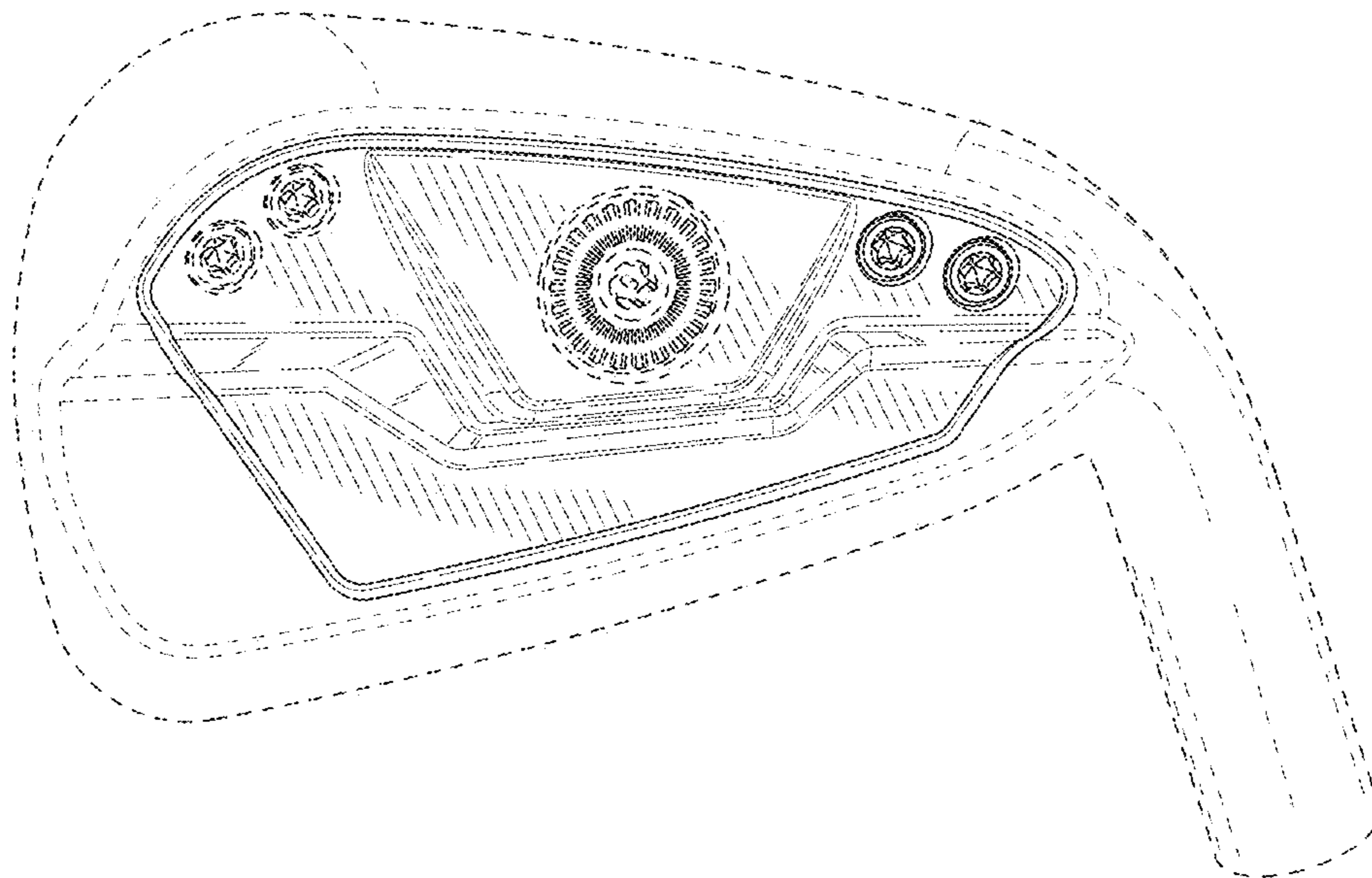


FIG. 18

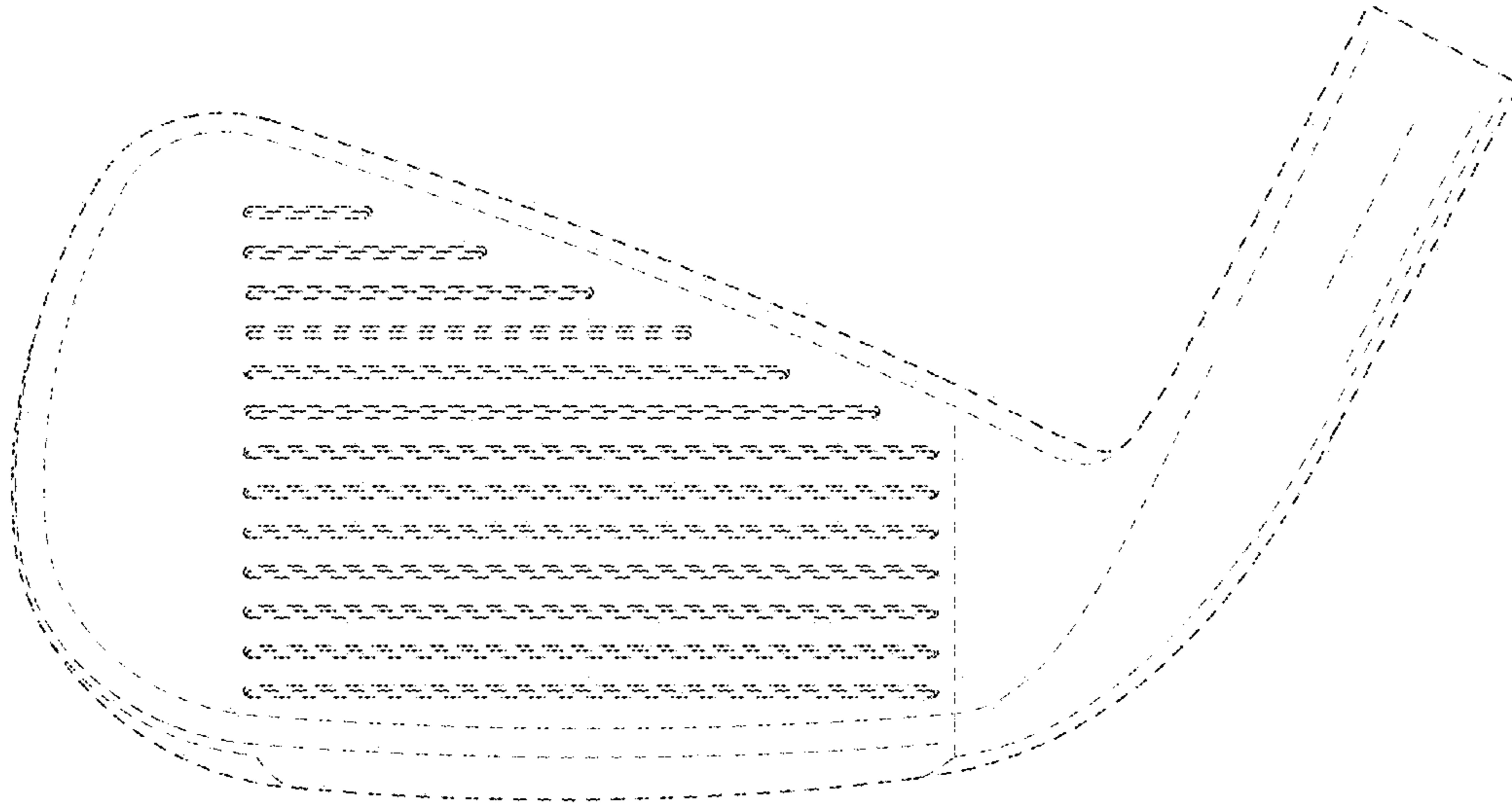


FIG. 19

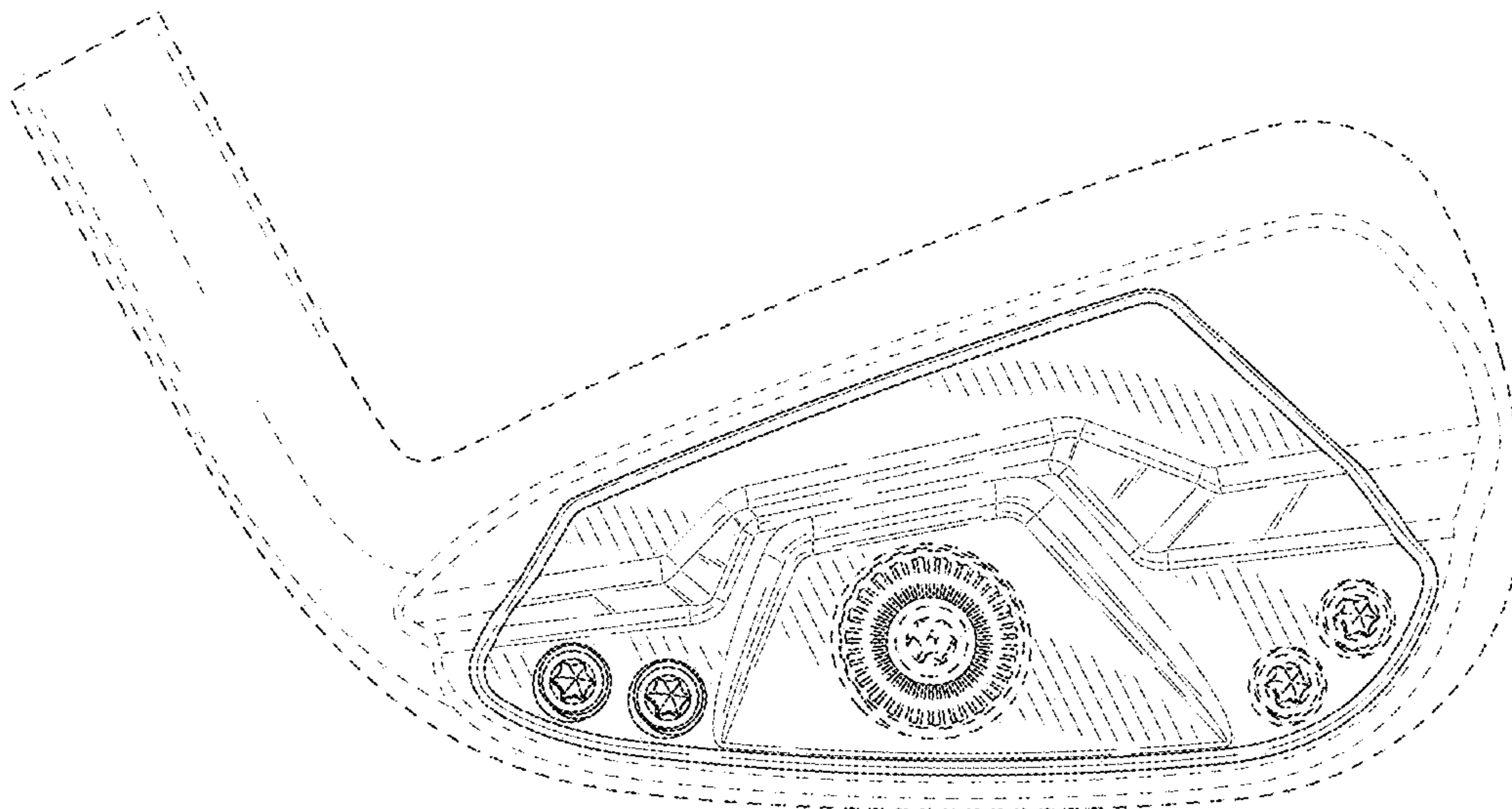


FIG. 20

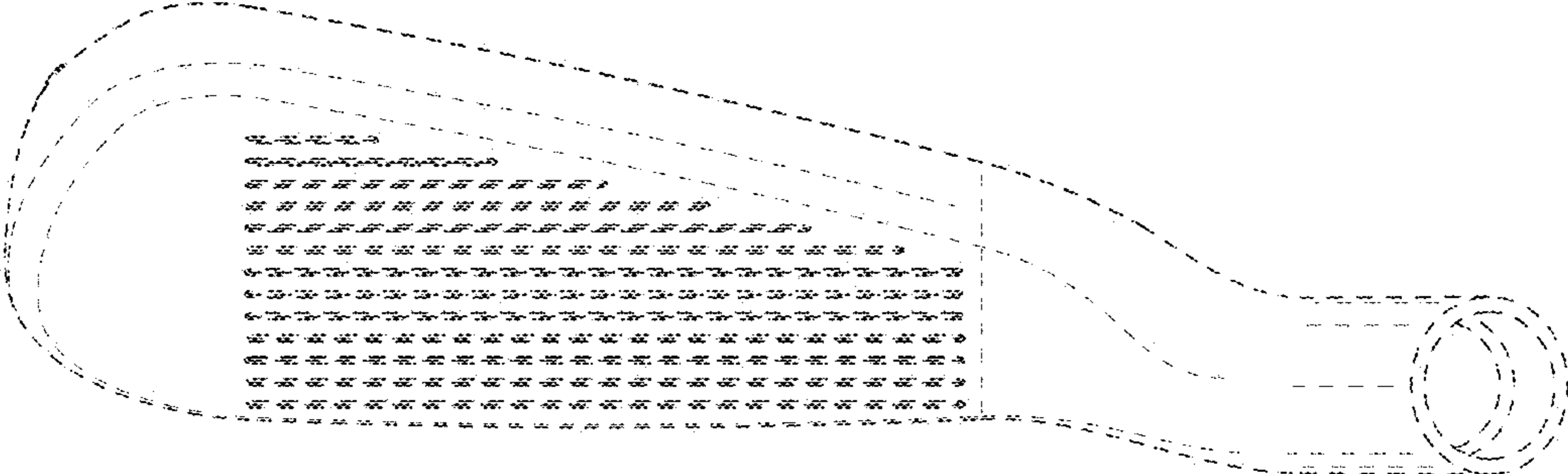


FIG. 21

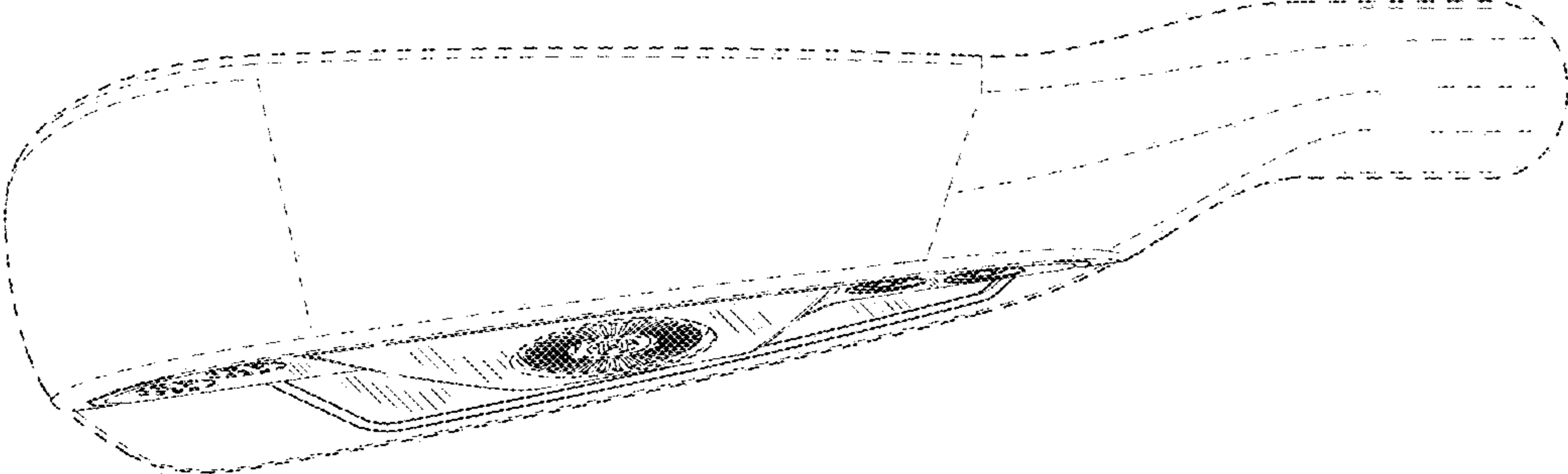


FIG. 22

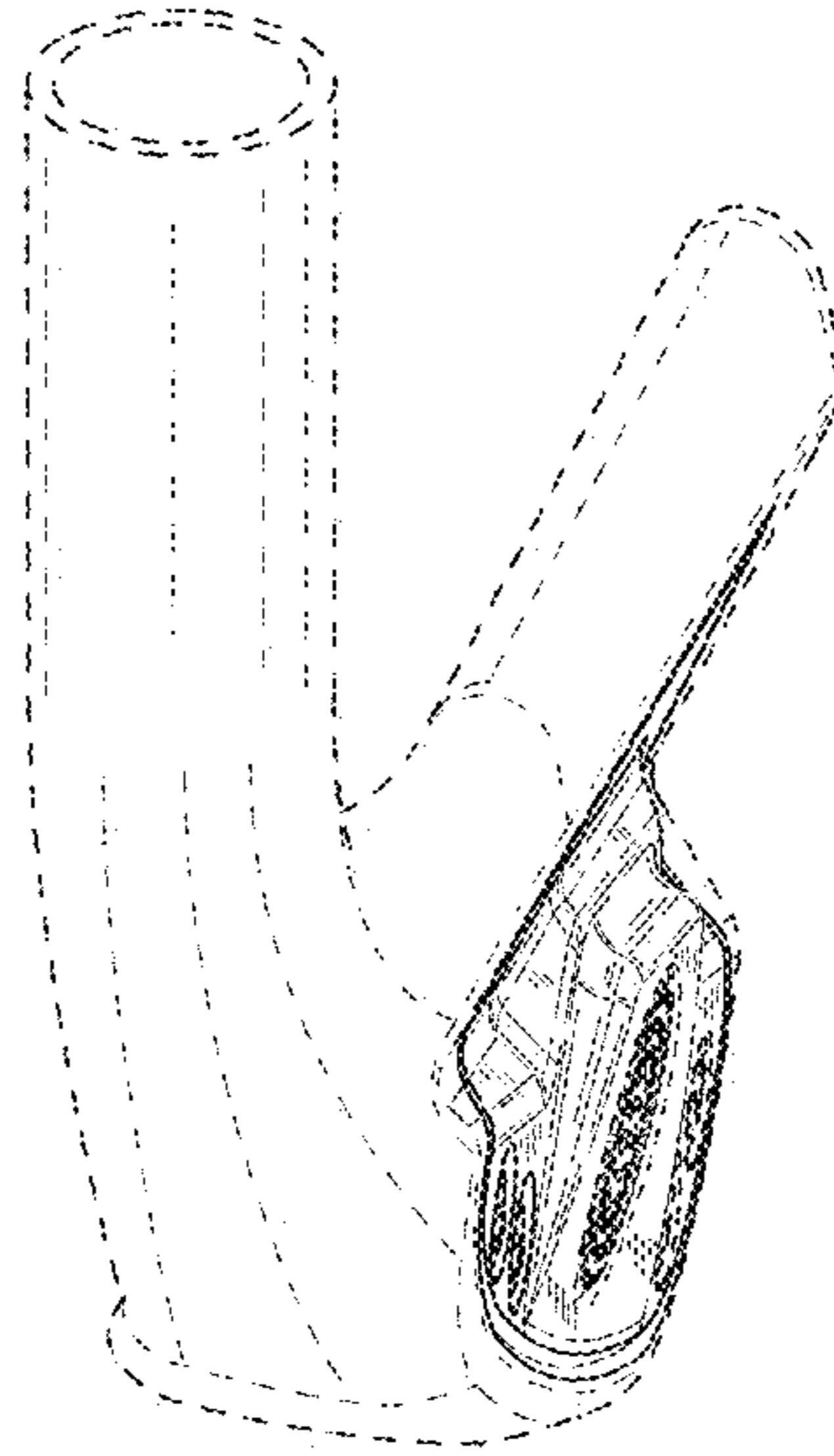


FIG. 23

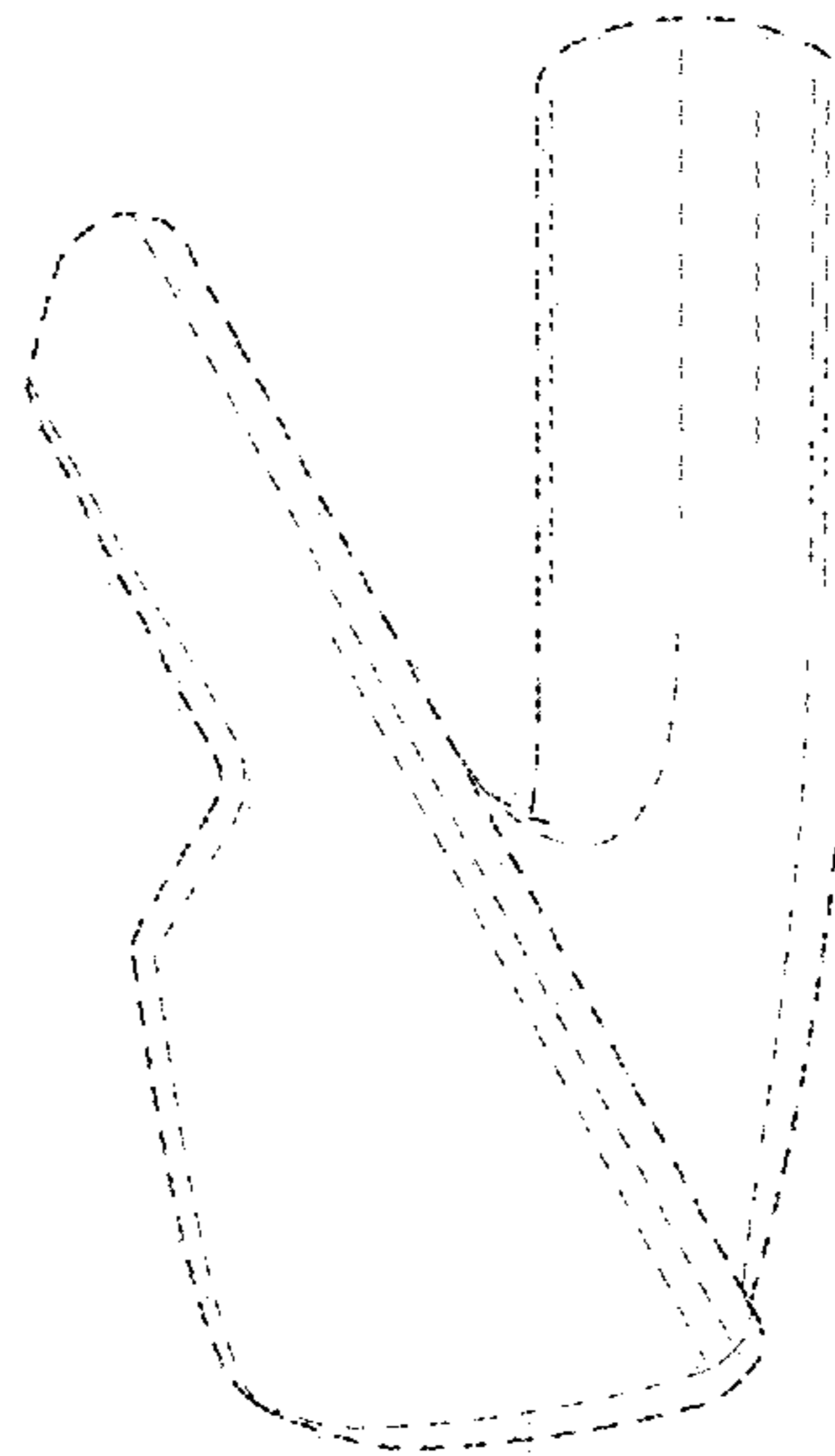


FIG. 24

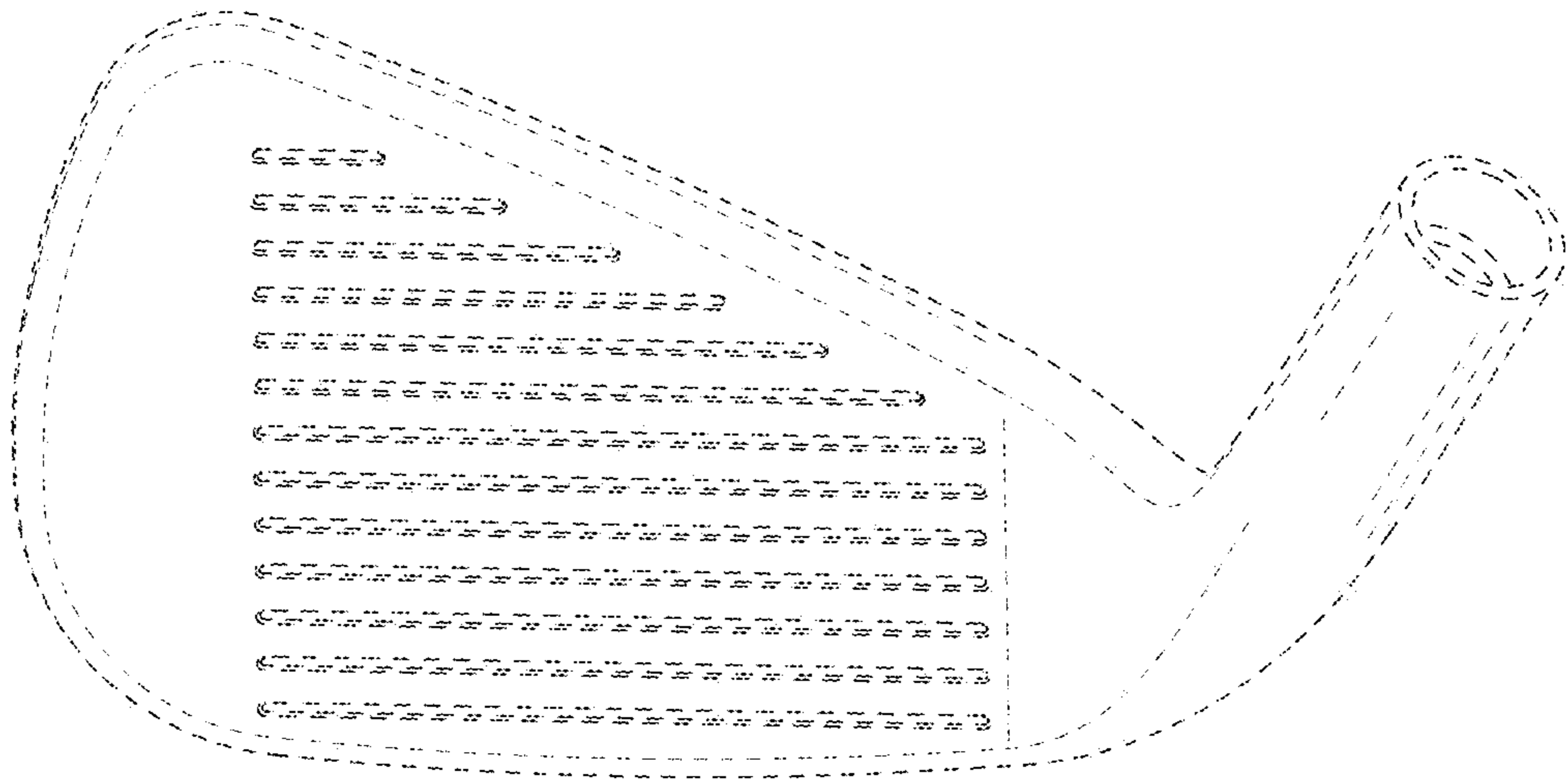


FIG. 25

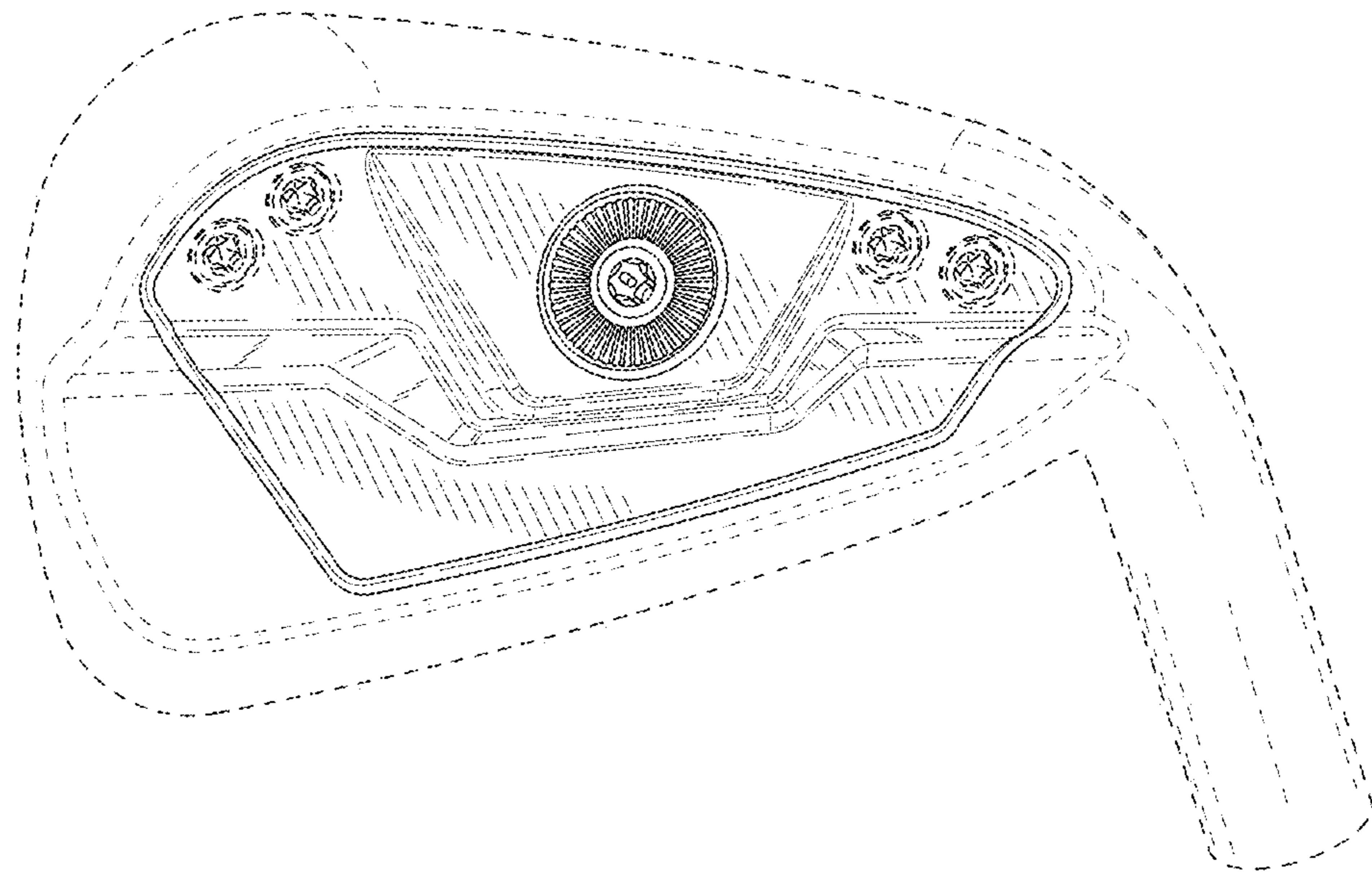


FIG. 26

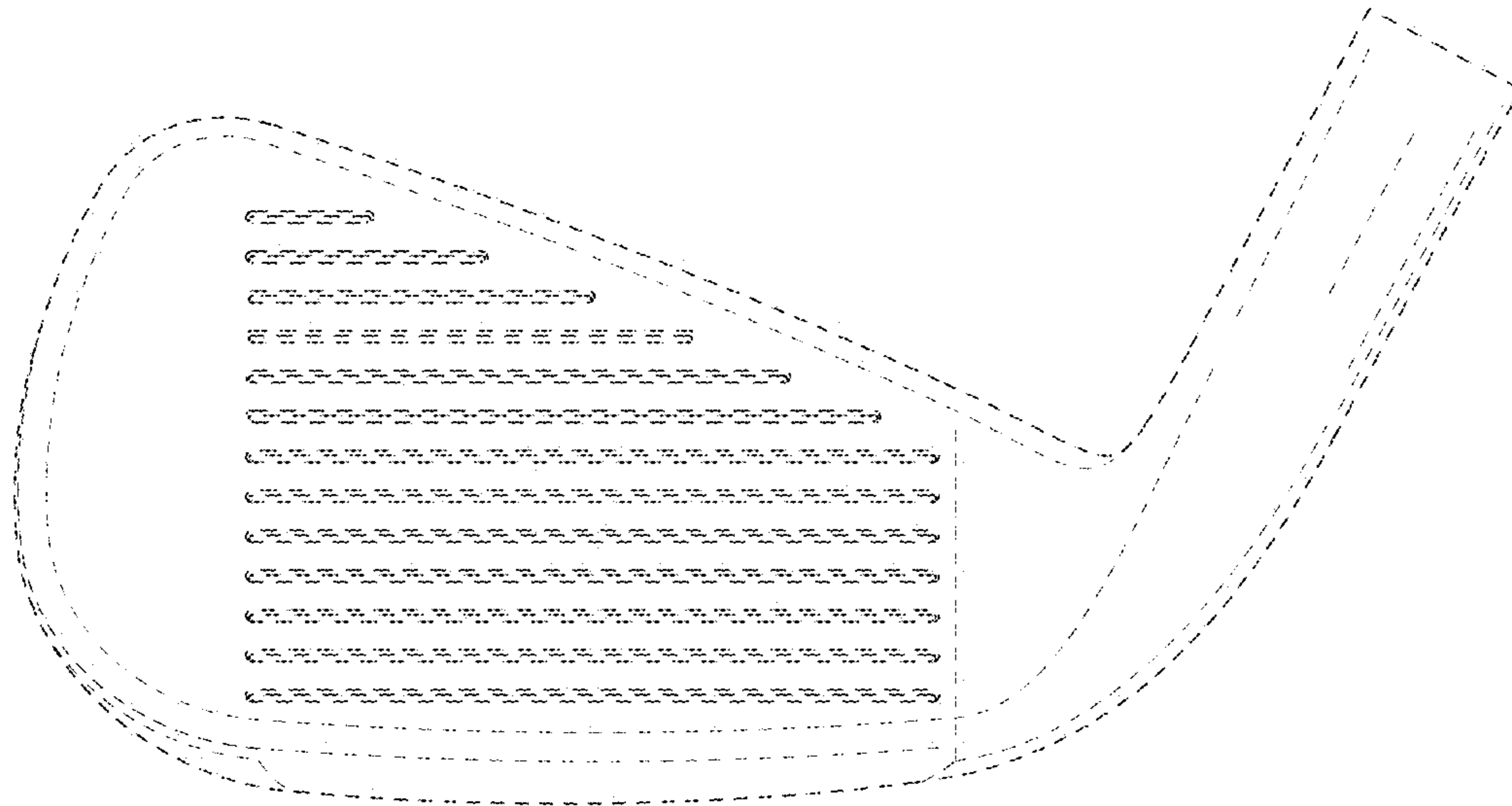


FIG. 27

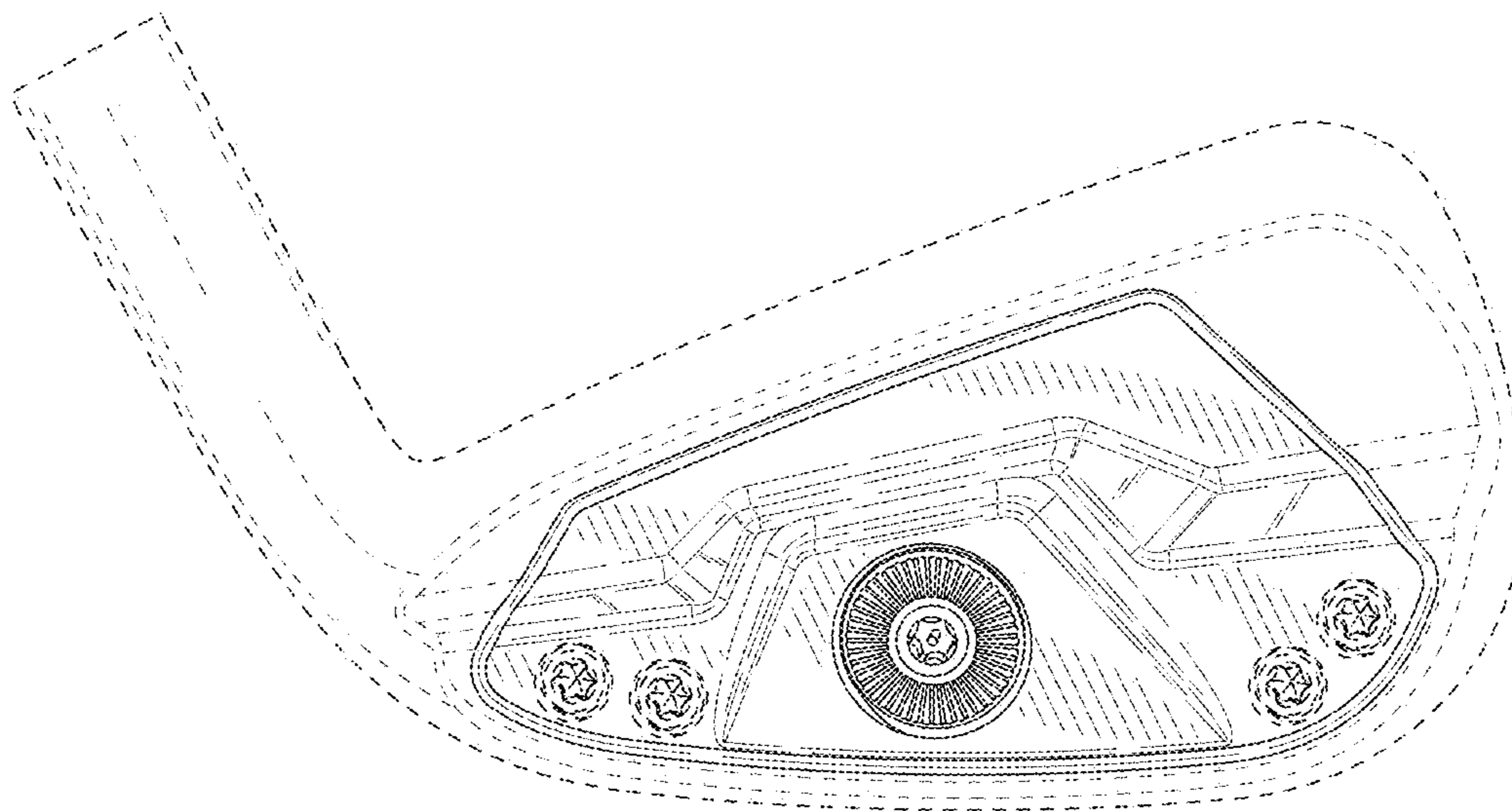


FIG. 28

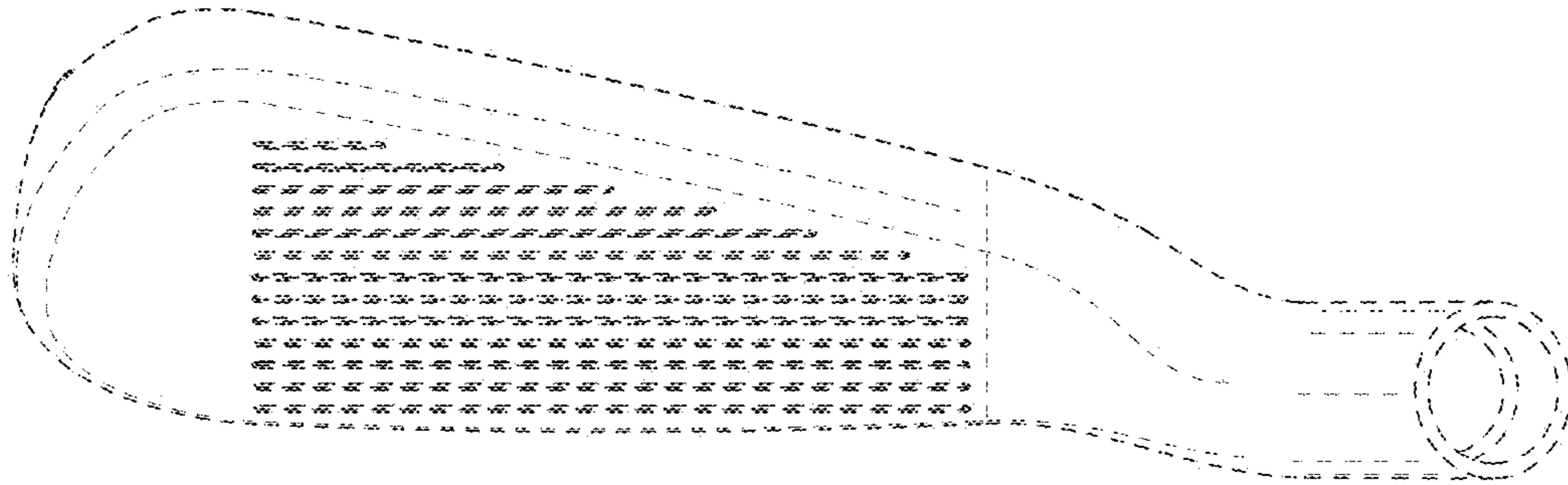


FIG. 29

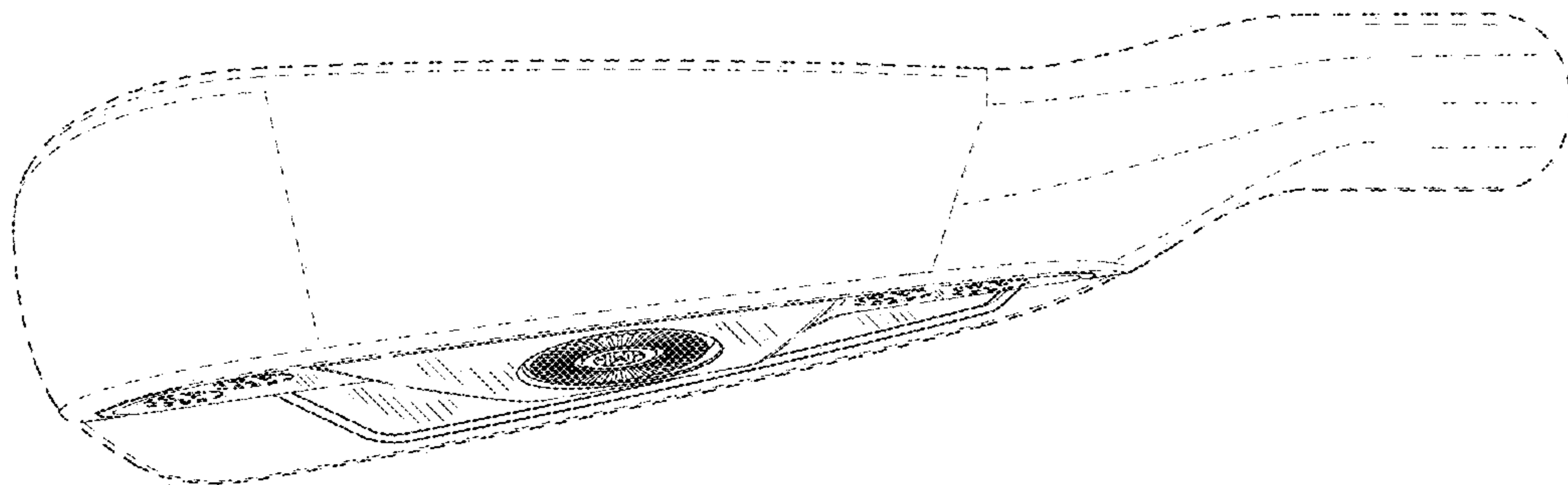


FIG. 30

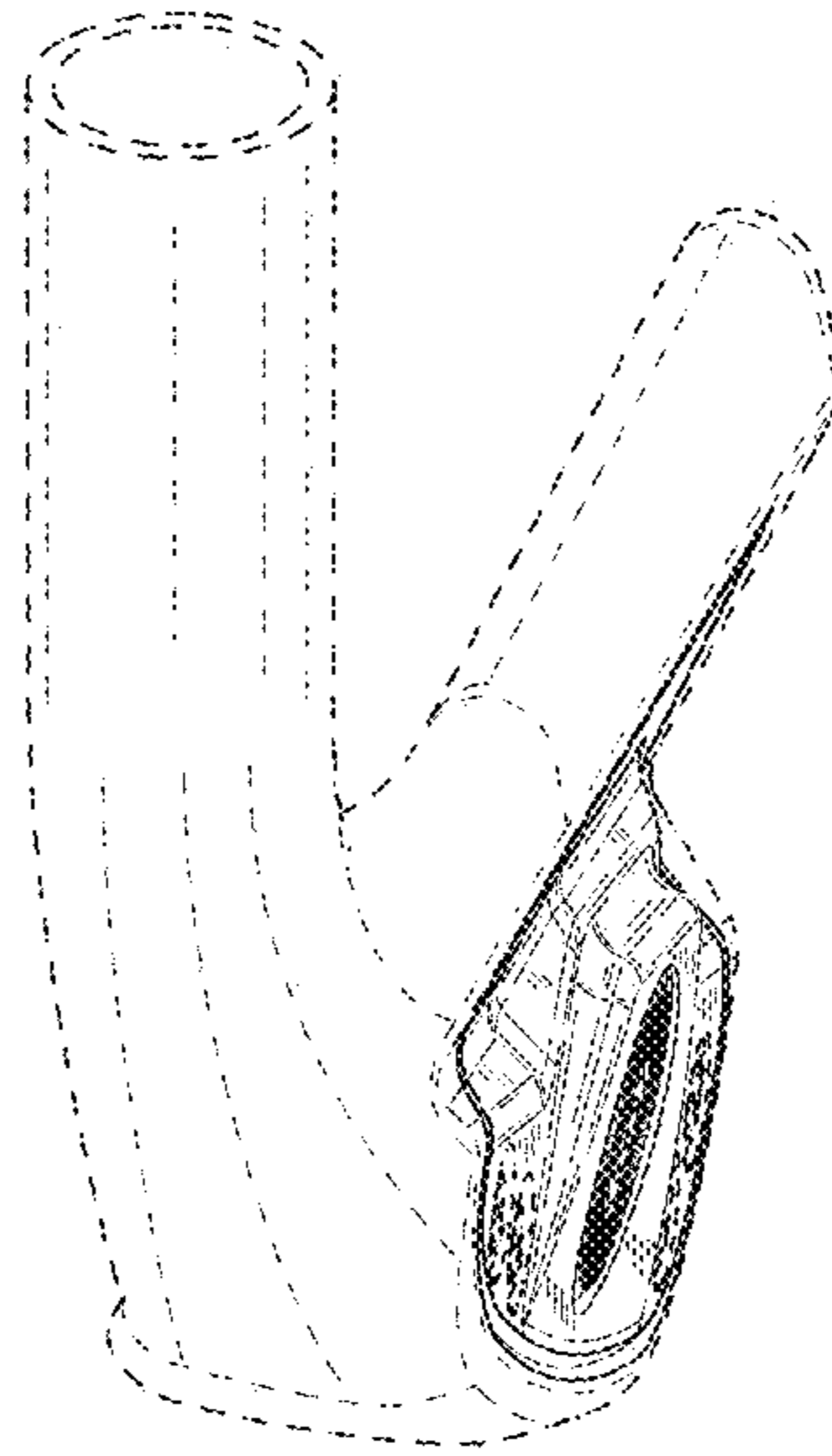


FIG. 31

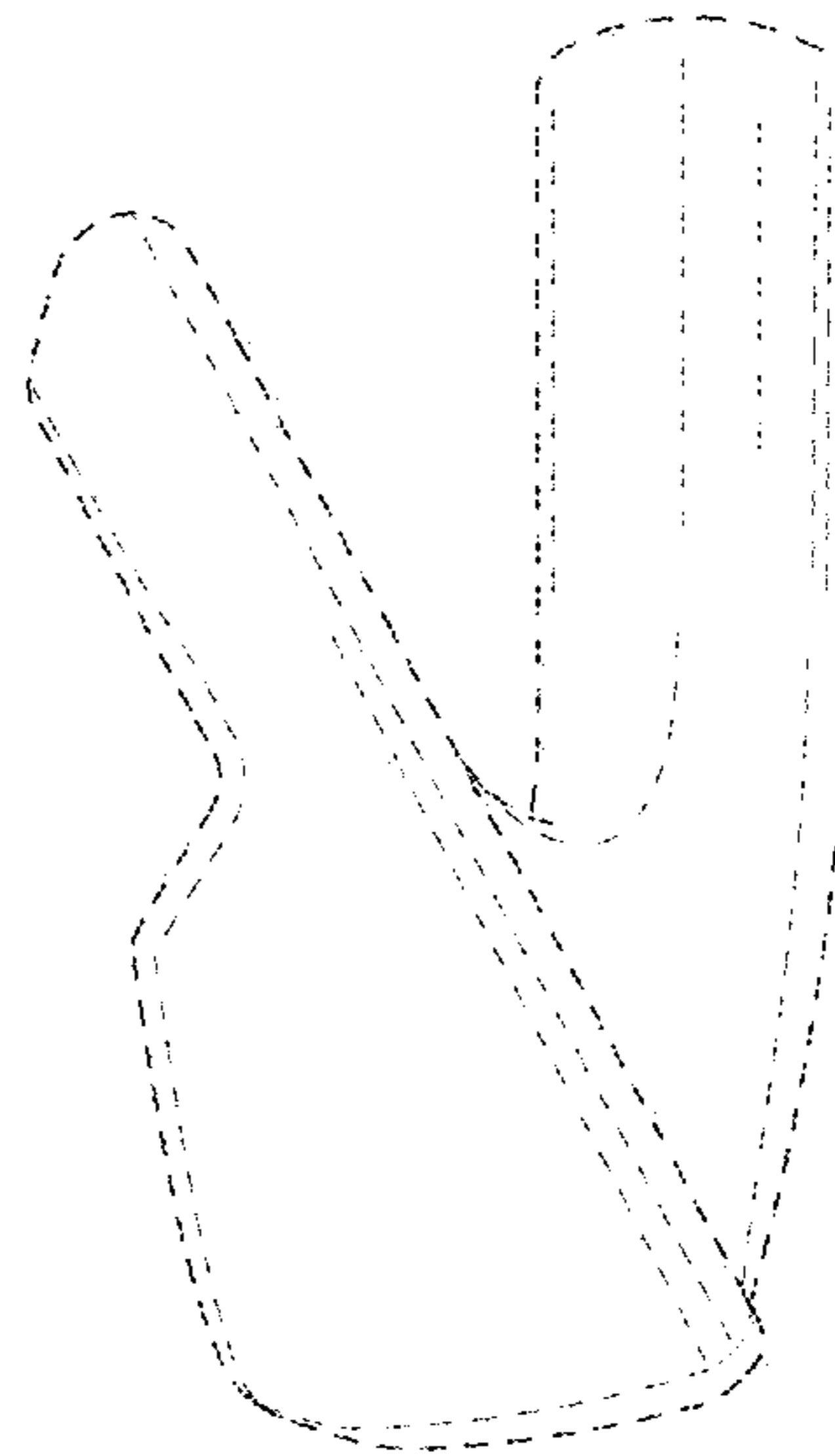


FIG. 32