



US00D956902S

(12) **United States Design Patent** (10) **Patent No.:** **US D956,902 S**
Nicolette et al. (45) **Date of Patent:** **** Jul. 5, 2022**

(54) **GOLF CLUB HEAD**

(71) Applicant: **PARSONS XTREME GOLF, LLC**,
Scottsdale, AZ (US)
(72) Inventors: **Michael R. Nicolette**, Scottsdale, AZ
(US); **Bradley D. Schweigert**, Cave
Creek, AZ (US)
(73) Assignee: **PARSONS XTREME GOLF, LLC**,
Scottsdale, AZ (US)

(**) Term: **15 Years**
(21) Appl. No.: **29/760,194**
(22) Filed: **Nov. 30, 2020**

Related U.S. Application Data

(63) Continuation-in-part of application No. 29/723,029,
filed on Feb. 4, 2020, now Pat. No. Des. 938,533,
which is a continuation-in-part of application No.
29/715,616, filed on Dec. 3, 2019, now abandoned.
(51) **LOC (13) Cl.** **21-02**
(52) **U.S. Cl.**
USPC **D21/759**
(58) **Field of Classification Search**
USPC D21/747-751, 759
CPC A63B 53/00; A63B 53/02; A63B 53/04;
A63B 53/047; A63B 53/0475; A63B
2053/0479; A63B 2053/0483; A63B
2053/0445; A63B 60/00; A63B 60/46
See application file for complete search history.

(56) **References Cited**

U.S. PATENT DOCUMENTS

1,133,129 A 3/1915 Govan
D164,469 S 9/1951 Behrendt
D175,107 S 7/1955 Gordon

(Continued)

OTHER PUBLICATIONS

PXG golf clubs google search; google.com; Apr. 29, 2022.*

(Continued)

Primary Examiner — Mitchell I. Siegel

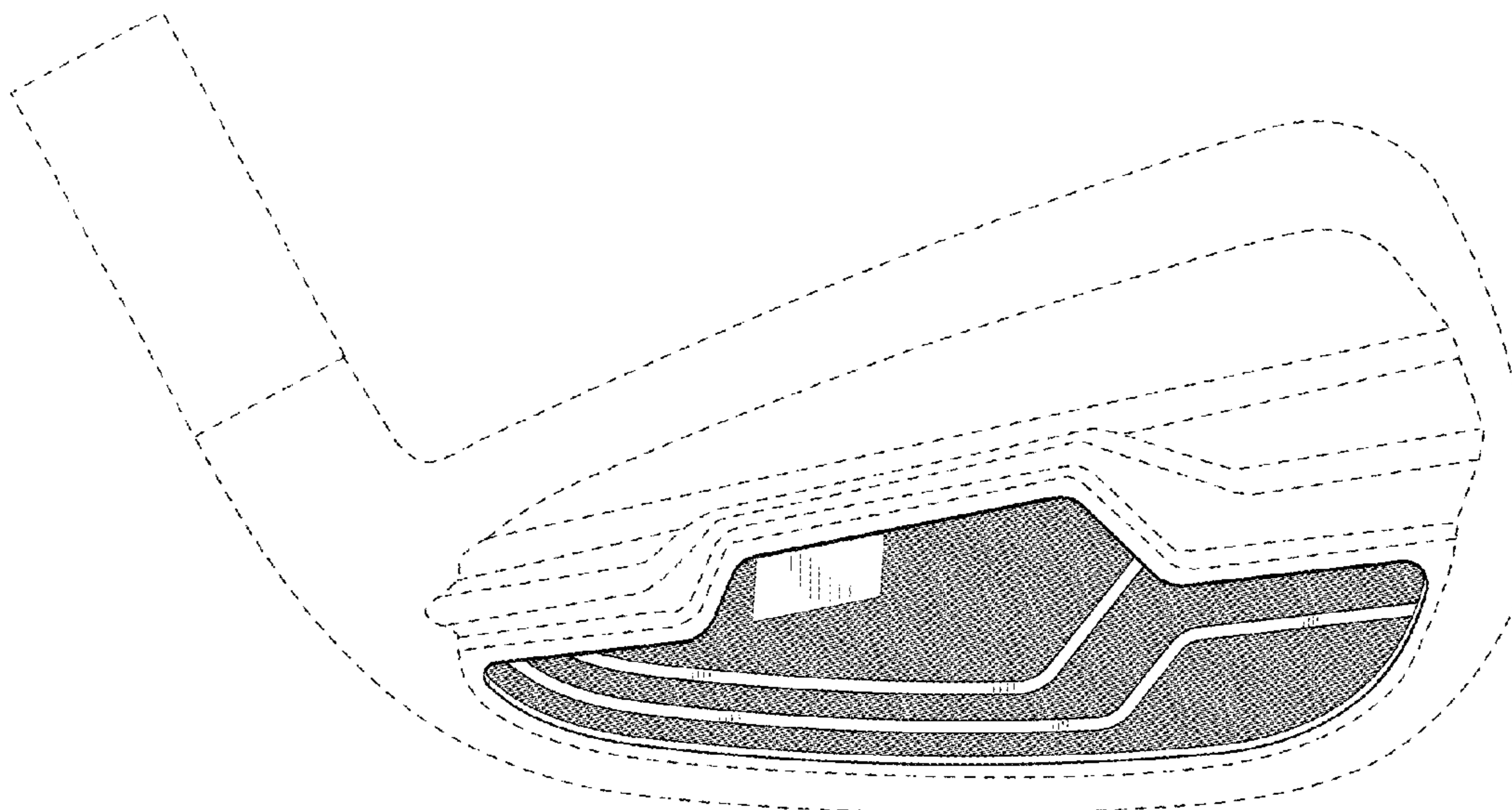
(57) **CLAIM**

The ornamental design for a golf club head, as shown and described.

DESCRIPTION

FIG. 1 is a top perspective view of a golf club head;
FIG. 2 is a bottom perspective view of the golf club head of FIG. 1;
FIG. 3 is a front elevational view of the golf club head of FIG. 1;
FIG. 4 is a rear elevational view of the golf club head of FIG. 1;
FIG. 5 is a top view of the golf club head of FIG. 1;
FIG. 6 is a bottom view of the golf club head of FIG. 1;
FIG. 7 is a left side view of the golf club head of FIG. 1;
FIG. 8 is a right side view of the golf club head of FIG. 1;
FIG. 9 is a top perspective view of a second embodiment of a golf club head;
FIG. 10 is a bottom perspective view of the golf club head of FIG. 9;
FIG. 11 is a front elevational view of the golf club head of FIG. 9;
FIG. 12 is a rear elevational view of the golf club head of FIG. 9;
FIG. 13 is a top view of the golf club head of FIG. 9;
FIG. 14 is a bottom view of the golf club head of FIG. 9;
FIG. 15 is a left side view of the golf club head of FIG. 9;
and,
FIG. 16 is a right side view of the golf club head of FIG. 9.
The broken lines shown on the drawings form no part of the claimed design.

1 Claim, 8 Drawing Sheets



(56)

References Cited

U.S. PATENT DOCUMENTS

3,020,048	A	2/1962	Carroll	D505,171	S	5/2005	Schweigert et al.
D203,936	S	3/1966	Long	D507,320	S	7/2005	Roberts et al.
D215,101	S	9/1969	Sabat	D507,614	S	7/2005	Schweigert et al.
D234,963	S	4/1975	Hirata	D508,099	S	8/2005	Schweigert et al.
D239,550	S	4/1976	Timbrook	D508,545	S	8/2005	Roberts et al.
D240,054	S	5/1976	Meissler	6,923,733	B2	8/2005	Chen
D244,792	S	6/1977	Gelinas	D514,183	S	1/2006	Schweigert et al.
D250,136	S	10/1978	Gelinas	D516,650	S	3/2006	Wolfe et al.
D261,167	S	10/1981	Swanson	D518,863	S	4/2006	Motoyoshi et al.
D294,617	S	3/1988	Perkins	D523,501	S	6/2006	Nicolette et al.
4,754,977	A	7/1988	Sahm	D523,917	S	6/2006	Wolfe et al.
4,824,116	A	4/1989	Nagamoto et al.	D524,889	S	7/2006	Yu et al.
4,988,104	A	1/1991	Shiotani et al.	D530,759	S	10/2006	Nicolette et al.
5,158,296	A	10/1992	Lee	D530,760	S	10/2006	Schweigert et al.
5,176,384	A	1/1993	Sata et al.	7,121,956	B2	10/2006	Lo
5,213,328	A	5/1993	Long et al.	7,128,663	B2	10/2006	Bamber
D336,672	S	6/1993	Gorman	D531,688	S	11/2006	Frame et al.
D353,862	S	12/1994	Saito	D532,849	S	11/2006	Nicolette et al.
D357,520	S	4/1995	Helmstetter et al.	D534,228	S	12/2006	Nicolette et al.
5,419,560	A	5/1995	Bamber	D534,595	S	1/2007	Hasebe
5,425,535	A	6/1995	Gee	D534,597	S	1/2007	Nicolette et al.
D361,358	S	8/1995	Simmons	7,156,751	B2	1/2007	Wahl et al.
5,447,311	A	9/1995	Viollaz et al.	D536,759	S	2/2007	Schweigert et al.
5,451,056	A	9/1995	Manning	D537,494	S	2/2007	Jertson et al.
D362,884	S	10/1995	Blough et al.	7,182,698	B2	2/2007	Tseng
D362,885	S	10/1995	Blough et al.	D538,366	S	3/2007	Nicolette et al.
D362,887	S	10/1995	Blough et al.	D539,864	S	4/2007	Nicolette et al.
D370,514	S	6/1996	Blough et al.	D540,898	S	4/2007	Solheim et al.
5,540,437	A	7/1996	Bamber	D541,360	S	4/2007	Schweigert et al.
D379,106	S	5/1997	Maltby	7,207,900	B2	4/2007	Nicolette et al.
5,637,045	A	6/1997	Igarashi	D543,601	S	5/2007	Kawami
5,669,830	A	9/1997	Bamber	D544,056	S	6/2007	Nicolette et al.
D389,540	S	1/1998	Mendenhall	D547,410	S	7/2007	Nicolette et al.
D389,541	S	1/1998	Huan-Chiang	D555,219	S	11/2007	Lin
D395,476	S	6/1998	Pond et al.	7,303,486	B2	12/2007	Imamoto
5,766,091	A	6/1998	Humphrey et al.	D559,932	S	1/2008	Belmont
5,766,092	A	6/1998	Mimeur et al.	D561,855	S	2/2008	Schweigert et al.
D399,277	S	10/1998	Ezaki	D562,925	S	2/2008	Schweigert et al.
5,827,132	A	10/1998	Bamber	7,351,164	B2	4/2008	Schweigert et al.
D408,485	S	4/1999	Takahashi et al.	D570,435	S	6/2008	Sanchez et al.
5,899,821	A	5/1999	Hsu et al.	D570,935	S	6/2008	Nicolette et al.
5,935,016	A	8/1999	Antonious	D570,936	S	6/2008	Schweigert et al.
D414,535	S	9/1999	Mertens	D570,942	S	6/2008	Chen et al.
D421,080	S	2/2000	Chen	D571,422	S	6/2008	Schweigert et al.
D426,276	S	6/2000	Besnard et al.	D571,425	S	6/2008	Chen et al.
D426,476	S	6/2000	Goss	D571,427	S	6/2008	Schweigert et al.
6,077,171	A	6/2000	Yoneyama	D571,881	S	6/2008	Nicolette et al.
D442,659	S	5/2001	Kubica et al.	D572,326	S	7/2008	Schweigert et al.
D443,008	S	5/2001	Kubica et al.	D572,329	S	7/2008	Nicolette et al.
D445,862	S	7/2001	Ford	D573,219	S	7/2008	Schweigert et al.
6,290,609	B1	9/2001	Takeda	7,396,299	B2	7/2008	Nicolette et al.
D449,866	S	10/2001	Miller	7,413,518	B2	8/2008	Cole et al.
D457,211	S	5/2002	Bakke	D577,783	S	9/2008	Schweigert et al.
D458,328	S	6/2002	Solheim et al.	D578,590	S	10/2008	Schweigert et al.
D469,833	S	2/2003	Roberts et al.	D581,000	S	11/2008	Nicolette et al.
D473,605	S	4/2003	Petersen et al.	D581,004	S	11/2008	Schweigert et al.
D476,048	S	6/2003	Cleveland et al.	D584,370	S	1/2009	Cleveland et al.
D478,949	S	8/2003	DeLaCruz	D585,103	S	1/2009	Foster et al.
6,638,182	B2	10/2003	Kosmatka	D586,414	S	2/2009	Foster et al.
6,695,714	B1	2/2004	Bliss et al.	D587,327	S	2/2009	Ines et al.
6,702,693	B2	3/2004	Bamber	D588,667	S	3/2009	Oldknow D21/759
D488,201	S	4/2004	Wahl et al.	D589,105	S	3/2009	Oldknow D21/759
D492,376	S	6/2004	Nicolette et al.	D589,108	S	3/2009	Oldknow D21/759
D494,240	S	8/2004	Schweigert	D594,518	S	6/2009	Schweigert
D494,648	S	8/2004	Schweigert et al.	D595,797	S	7/2009	Oldknow D21/759
6,780,123	B2	8/2004	Hasebe	D596,255	S	7/2009	Oldknow D21/759
D497,963	S	11/2004	Toulon et al.	D596,256	S	7/2009	Schweigert et al.
6,811,496	B2	11/2004	Wahl et al.	D596,257	S	7/2009	Jertson et al.
D499,779	S	12/2004	Mahaffey et al.	D596,258	S	7/2009	Jertson et al.
D500,350	S	12/2004	Schweigert et al.	D596,688	S	7/2009	Schweigert et al.
D500,351	S	12/2004	Schweigert et al.	D597,158	S	7/2009	Schweigert et al.
D502,237	S	2/2005	Schweigert et al.	D601,216	S	9/2009	Jertson et al.
D502,975	S	3/2005	Schweigert et al.	7,588,502	B2	9/2009	Nishino
D503,204	S	3/2005	Nicolette et al.	7,601,075	B2	10/2009	Cole et al.
D504,925	S	5/2005	Schweigert et al.	D604,783	S	11/2009	Nicolette et al.
				7,611,424	B2	11/2009	Nagai et al.
				D606,605	S	12/2009	Wada et al.
				D607,070	S	12/2009	Wada et al.
				D607,071	S	12/2009	Wada et al.

(56)

References Cited

U.S. PATENT DOCUMENTS

7,658,686 B2 2/2010 Soracco
 D612,438 S 3/2010 Carlyle et al.
 D612,439 S 3/2010 Carlyle et al.
 D617,406 S 6/2010 Carlyle et al.
 D618,293 S 6/2010 Foster et al.
 7,736,243 B2 6/2010 Sanchez et al.
 7,744,484 B1 6/2010 Chao
 D621,893 S 8/2010 Nicolette et al.
 D621,894 S 8/2010 Schweigert
 D621,895 S 8/2010 Schweigert et al.
 7,798,917 B2 9/2010 Nguyen et al.
 7,815,521 B2 10/2010 Ban et al.
 D627,409 S 11/2010 Schweigert et al.
 D627,410 S 11/2010 Nicolette et al.
 7,846,040 B2 12/2010 Ban
 D633,159 S 2/2011 Holt et al.
 D633,967 S 3/2011 Carlyle et al.
 D635,627 S 4/2011 Nicolette
 7,938,738 B2 5/2011 Roach
 D642,642 S 8/2011 Jertson et al.
 D643,488 S 8/2011 Holt et al.
 D643,490 S 8/2011 Wada et al.
 D643,491 S 8/2011 Stokke et al.
 D643,492 S 8/2011 Nicolette et al.
 D643,895 S 8/2011 Wieland
 D643,896 S 8/2011 Jertson et al.
 D647,582 S 10/2011 Nicolette et al.
 D647,984 S * 11/2011 Atwell D21/747
 D648,409 S * 11/2011 Atwell D21/747
 D649,211 S 11/2011 Jertson et al.
 8,062,150 B2 11/2011 Gilbert et al.
 D651,268 S 12/2011 Nicolette et al.
 8,088,025 B2 1/2012 Wahl et al.
 8,092,319 B1 1/2012 Cackett et al.
 8,105,180 B1 1/2012 Cackett et al.
 8,142,307 B2 3/2012 Sanchez et al.
 D658,248 S 4/2012 Nunez et al.
 8,221,262 B1 7/2012 Cackett et al.
 8,246,487 B1 8/2012 Cackett et al.
 D670,775 S 11/2012 Jertson et al.
 D672,417 S 12/2012 Jertson et al.
 8,328,662 B2 12/2012 Nakamura et al.
 D673,633 S 1/2013 Jertson et al.
 D673,634 S 1/2013 Jertson et al.
 8,376,878 B2 2/2013 Bennett et al.
 D680,603 S 4/2013 Nicolette et al.
 D681,142 S 4/2013 Fossum et al.
 D681,143 S 4/2013 Nicolette et al.
 8,414,422 B2 4/2013 Peralta et al.
 8,506,420 B2 8/2013 Hocknell et al.
 8,545,343 B2 10/2013 Boyd et al.
 8,574,094 B2 11/2013 Nicolette et al.
 8,657,700 B2 2/2014 Nicolette et al.
 8,663,026 B2 3/2014 Blowers et al.
 8,690,710 B2 4/2014 Nicolette et al.
 D707,316 S 6/2014 Aguayo et al.
 D707,317 S 6/2014 Aguayo et al.
 8,753,230 B2 6/2014 Stokke et al.
 D708,688 S 7/2014 Nicolette et al.
 8,827,832 B2 9/2014 Breier et al.
 8,827,833 B2 9/2014 Amano et al.
 8,845,455 B2 9/2014 Ban et al.
 D716,387 S 10/2014 Aguayo et al.
 D716,388 S 10/2014 Aguayo et al.
 D716,391 S 10/2014 Roche et al.
 D722,352 S 2/2015 Nicolette et al.
 D723,120 S 2/2015 Nicolette
 8,961,336 B1 2/2015 Parsons et al.
 D726,265 S 4/2015 Nicolette
 9,199,143 B1 12/2015 Parsons et al.

D746,926 S 1/2016 Parsons et al.
 D748,214 S 1/2016 Nicolette et al.
 D748,749 S 2/2016 Nicolette et al.
 D756,471 S 5/2016 Nicolette et al.
 D764,610 S 8/2016 Parsons et al.
 9,421,437 B2 8/2016 Parsons et al.
 9,427,634 B2 8/2016 Parsons et al.
 D773,575 S 12/2016 Nicolette
 D802,068 S 11/2017 Parsons et al.
 D816,787 S 5/2018 Nicolette et al.
 D827,065 S 8/2018 Nicolette
 D835,737 S 12/2018 Parsons et al.
 D893,647 S * 8/2020 Parsons D21/747
 D893,648 S * 8/2020 Parsons D21/747
 D894,302 S * 8/2020 Parsons D21/747
 D895,040 S * 9/2020 Chun D21/747
 D915,535 S * 4/2021 Parsons D21/747
 D916,220 S * 4/2021 Parsons D21/747
 D936,772 S * 11/2021 Chun D21/747
 D938,533 S * 12/2021 Nicolette D21/747
 D946,681 S * 3/2022 Vu D21/759
 2002/0107087 A1 8/2002 Fagot
 2003/0139226 A1 7/2003 Cheng et al.
 2003/0176231 A1 9/2003 Hasebe
 2004/0204263 A1 10/2004 Fagot et al.
 2005/0009632 A1 1/2005 Schweigert et al.
 2005/0014573 A1 1/2005 Lee
 2005/0096148 A1 5/2005 Noble et al.
 2005/0119066 A1 6/2005 Stites et al.
 2005/0239569 A1 10/2005 Best et al.
 2005/0277485 A1 12/2005 Hou et al.
 2006/0111200 A1 5/2006 Poynor
 2007/0032308 A1 2/2007 Fagot et al.
 2007/0225084 A1 9/2007 Schweigert et al.
 2008/0058113 A1 3/2008 Nicolette et al.
 2008/0188322 A1 8/2008 Anderson et al.
 2008/0300065 A1 12/2008 Schweigert
 2009/0029790 A1 1/2009 Nicolette et al.
 2010/0130306 A1 5/2010 Schweigert
 2010/0178999 A1 7/2010 Nicolette et al.
 2011/0111883 A1 5/2011 Cackett
 2011/0165963 A1 7/2011 Cackett et al.
 2011/0269567 A1 11/2011 Ban et al.
 2011/0294596 A1 12/2011 Ban
 2013/0137532 A1 5/2013 Deshmukh et al.
 2013/0225319 A1 8/2013 Kato
 2013/0281226 A1 10/2013 Ban
 2013/0288823 A1 10/2013 Hebreo
 2013/0303303 A1 11/2013 Ban
 2013/0310192 A1 11/2013 Wahl et al.
 2014/0080621 A1 3/2014 Nicolette et al.
 2014/0128175 A1 5/2014 Jertson et al.
 2014/0274441 A1 9/2014 Greer
 2014/0274451 A1 9/2014 Knight et al.
 2015/0231454 A1 8/2015 Parsons et al.
 2015/0231806 A1 8/2015 Parsons et al.

OTHER PUBLICATIONS

PXG.com; Apr. 29, 2022.*
 International Search Report and Written Opinion issued in connection with corresponding application No. PCT/US2015/016666, dated May 14, 2015 (8 pages).
 Kozuchowski, Zak. "Callaway Mack Daddy 2 PM Grind Wedges" (<http://www.golfwrx.com/276203/callaway-mack-daddy-2-pm-grind-wedges/>), www.golfwrx.com, GolfWRX Holdings, LLC, published Jan. 21, 2015.
 Wall, Jonathan, "Details: Phil's Prototype Mack Daddy PM-Grind Wedge," (<http://www.pgatour.com/equipmentreport/2015/01/21/callaway-wedge.html>), www.pgatour.com, PGA Tour, Inc., Published Jan. 21, 2015.

* cited by examiner

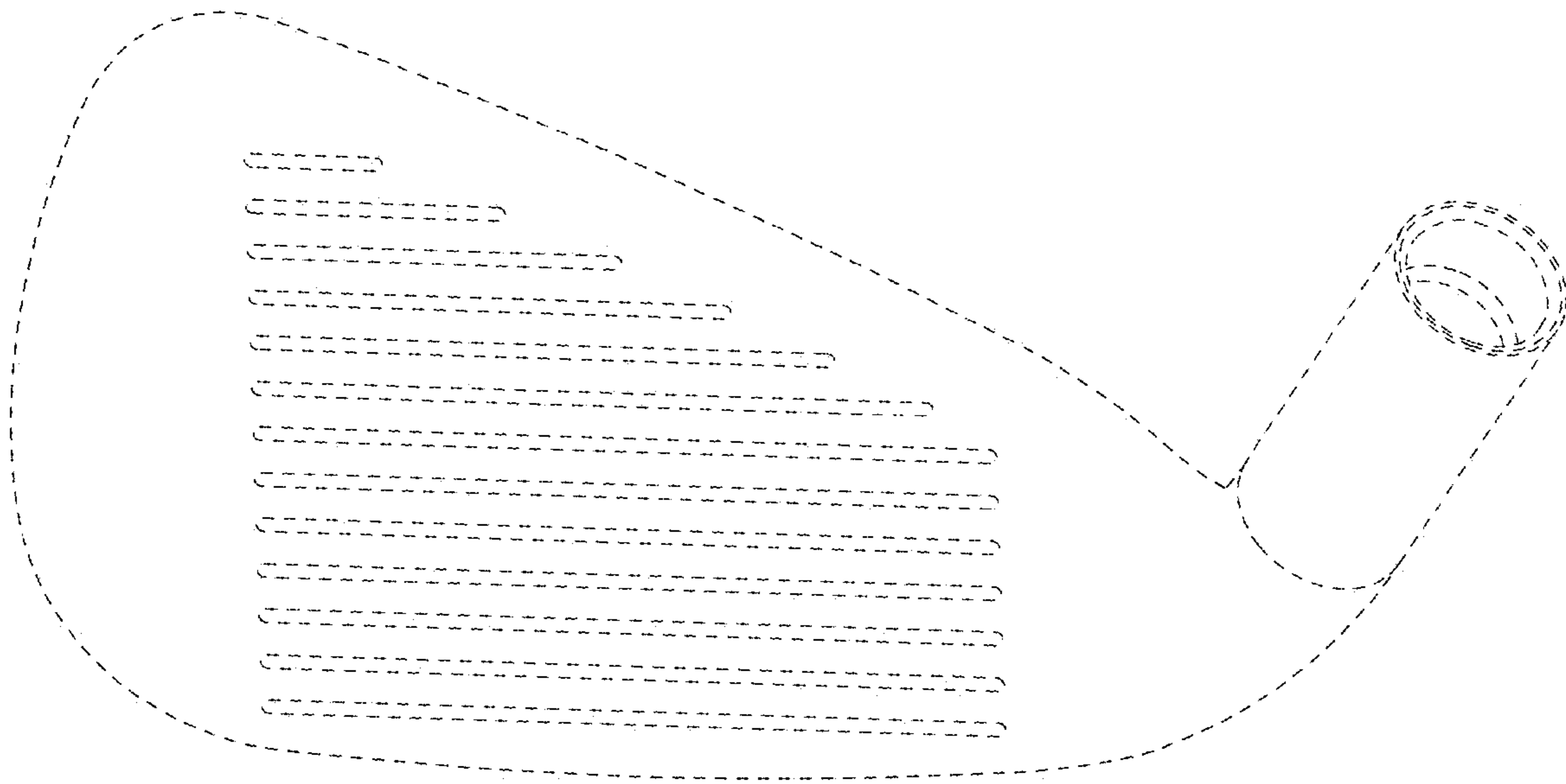


FIG. 1

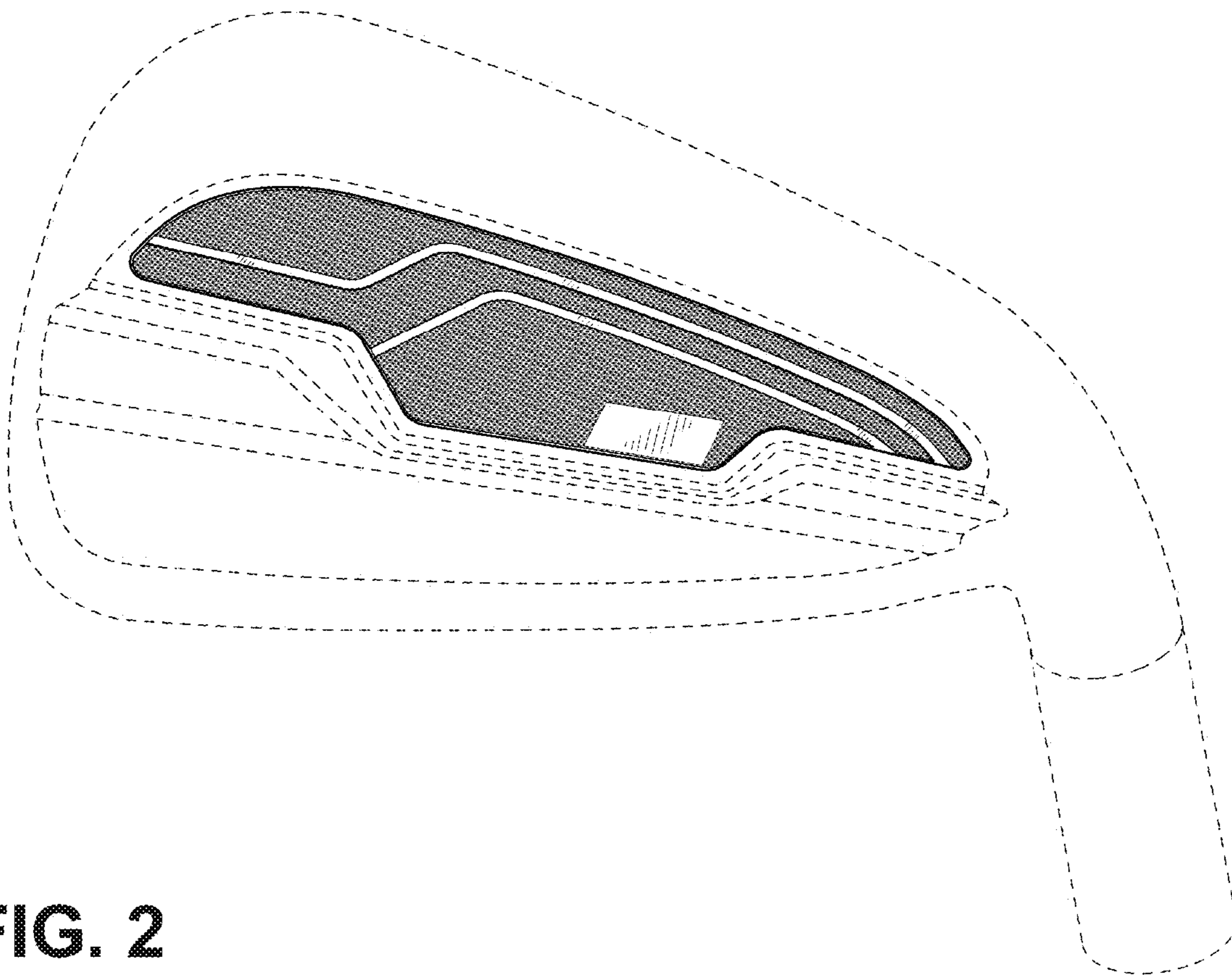


FIG. 2

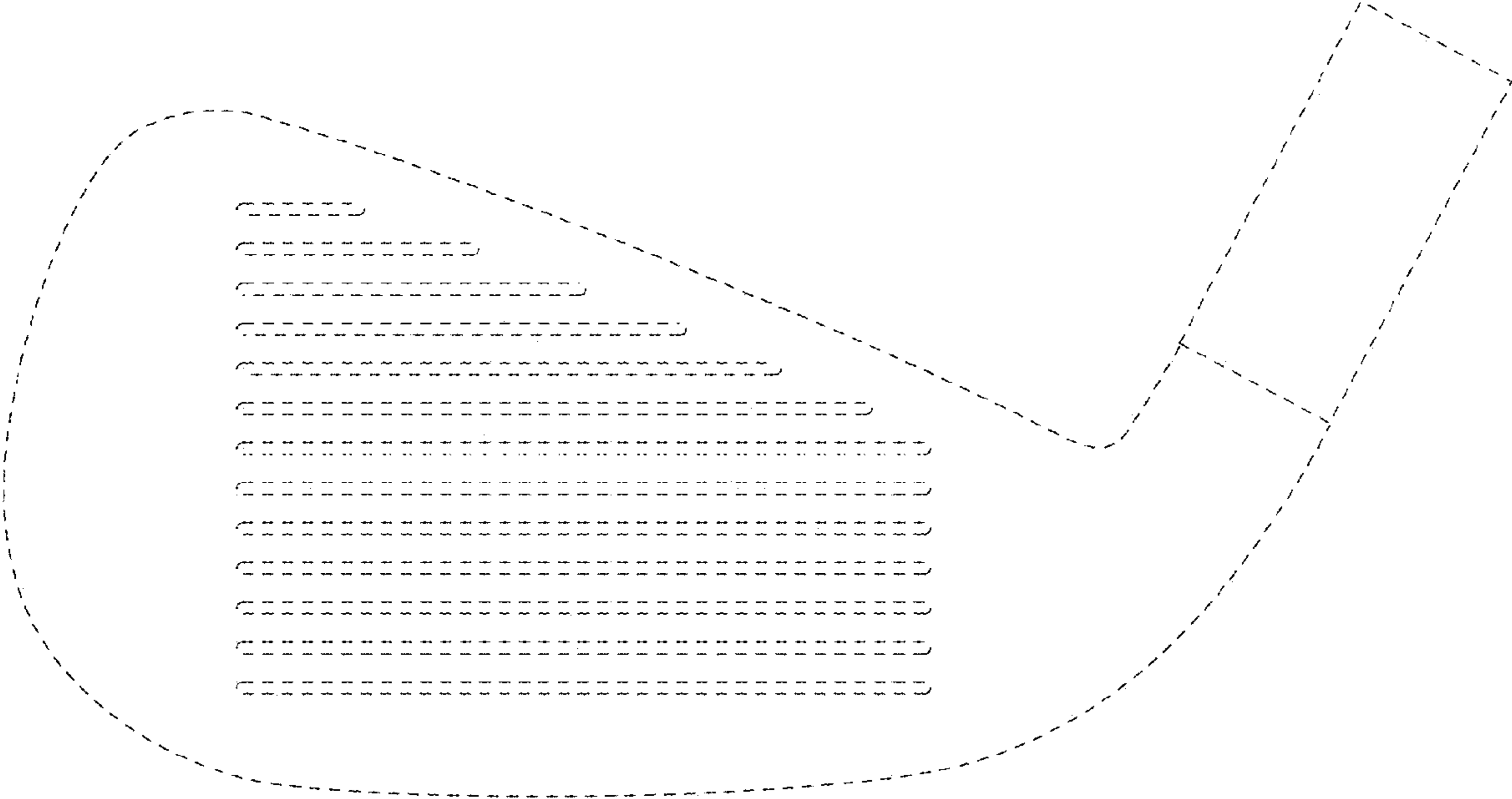


FIG. 3

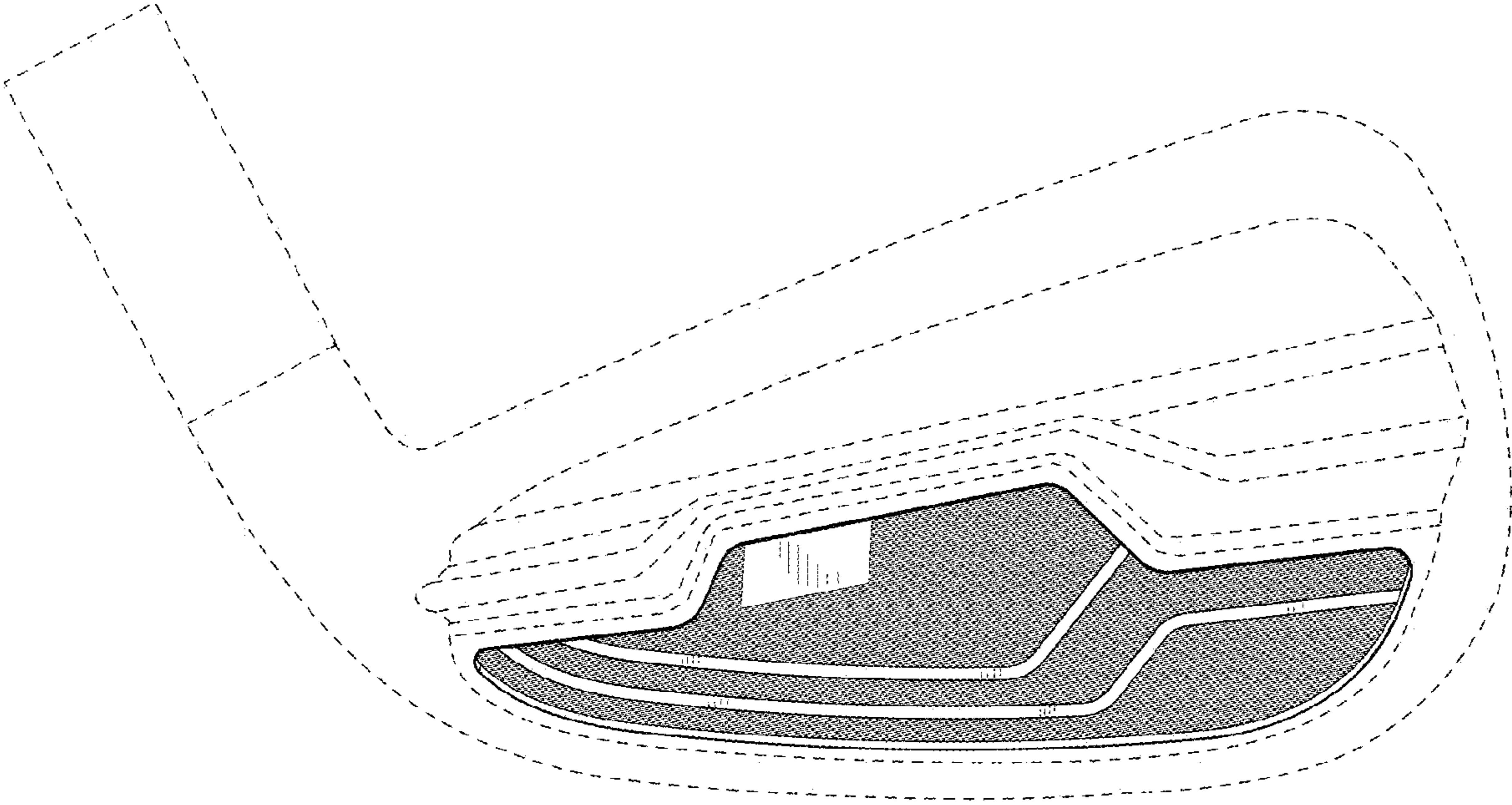


FIG. 4

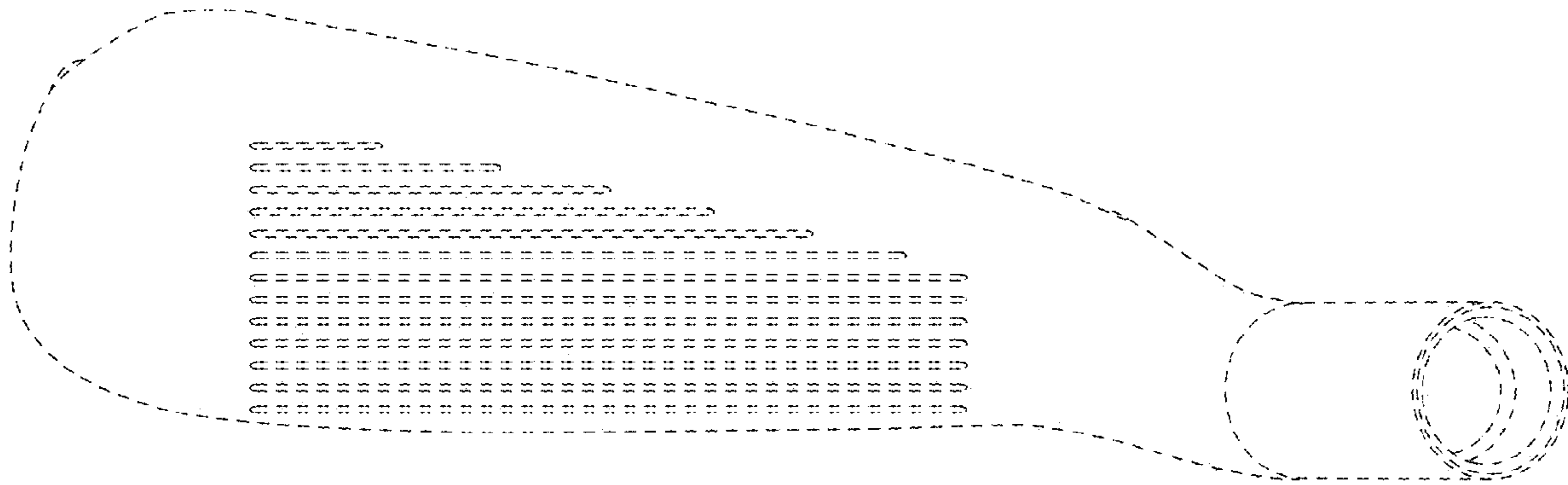


FIG. 5

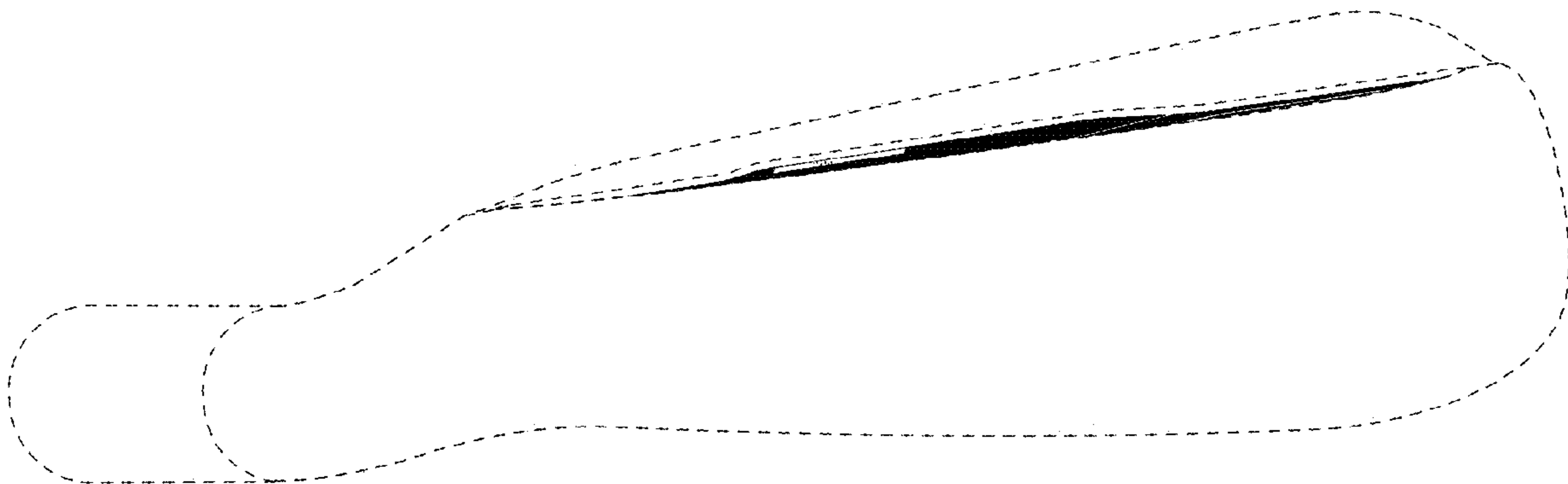


FIG. 6

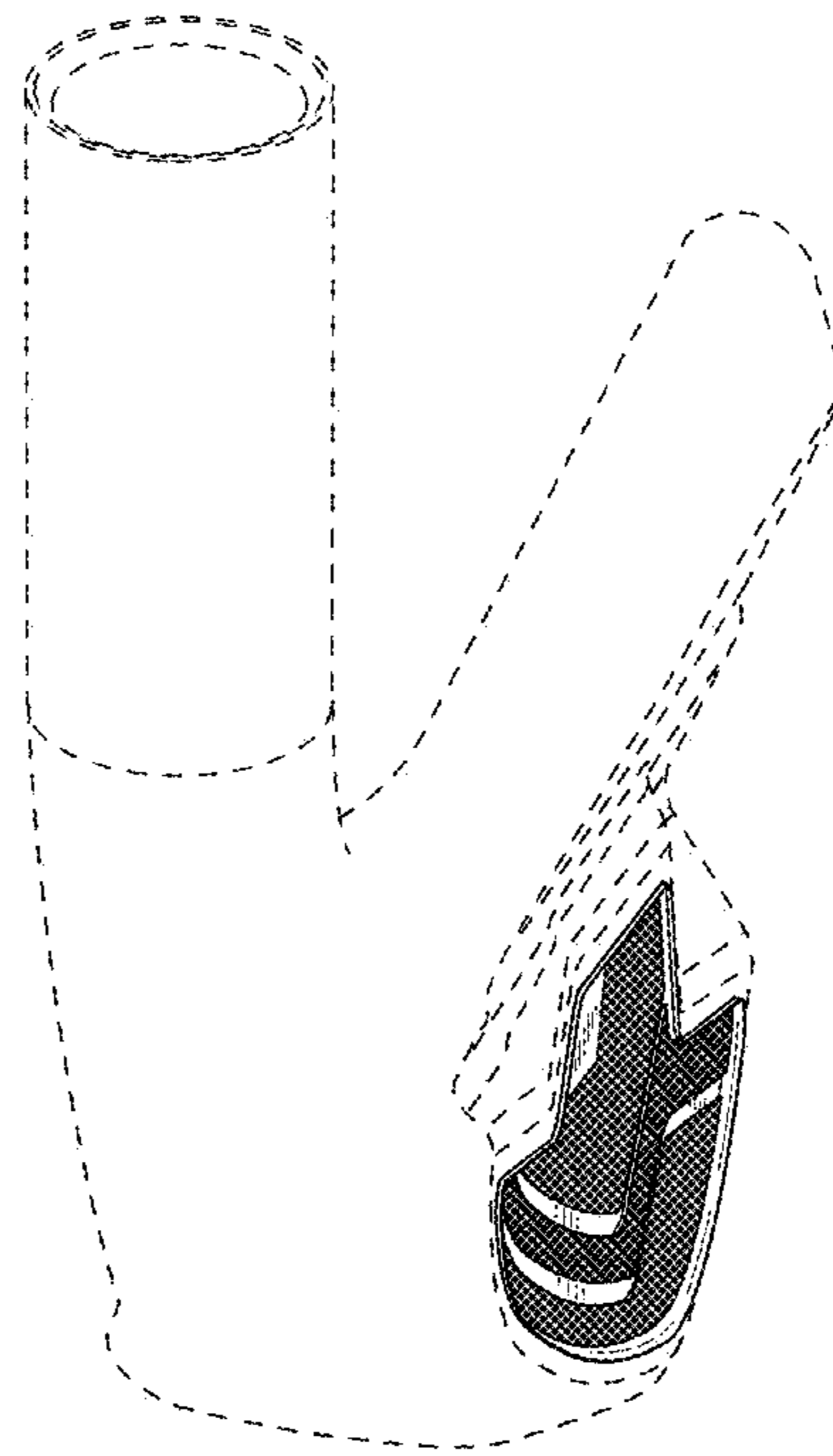


FIG. 7

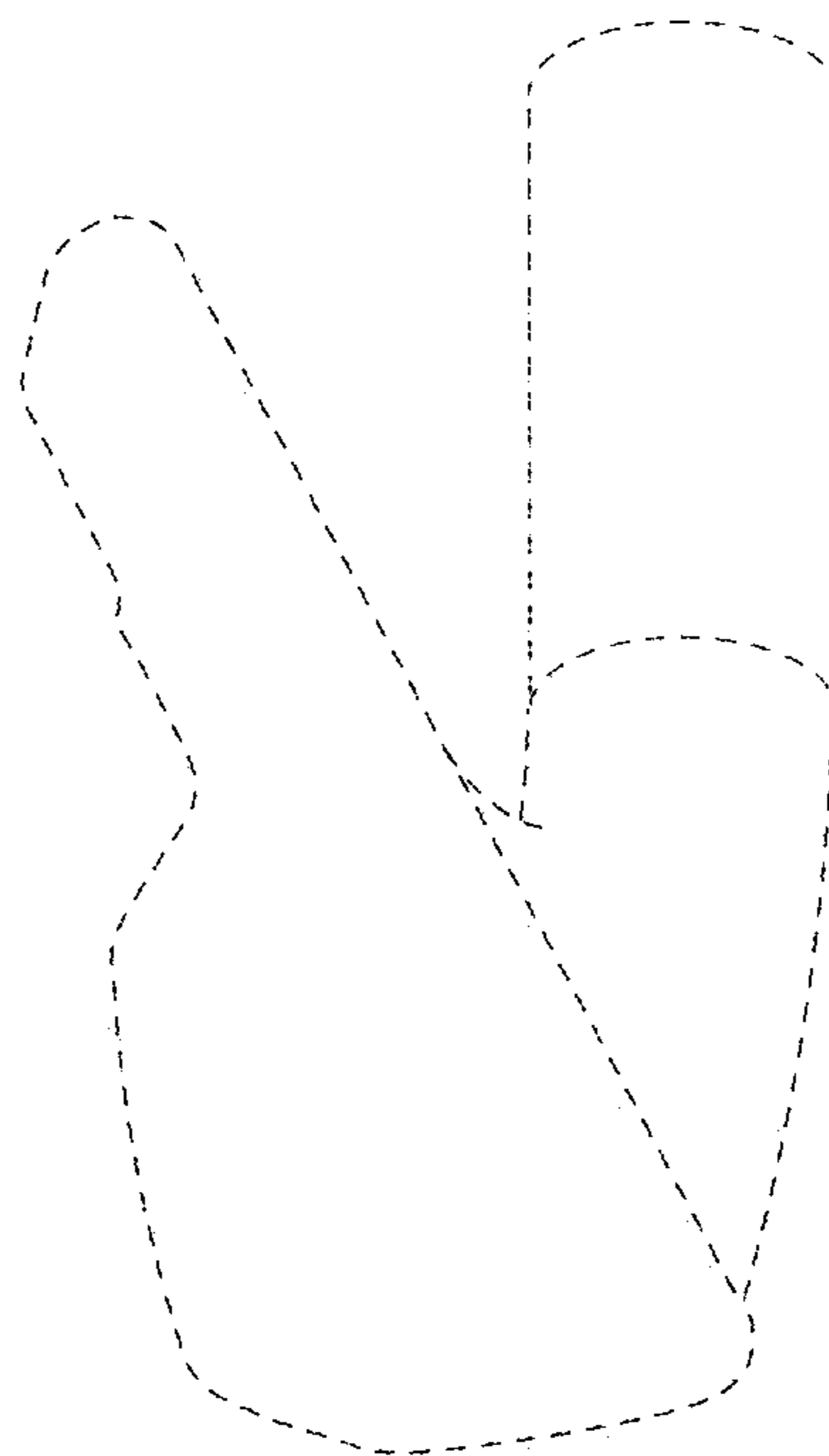


FIG. 8

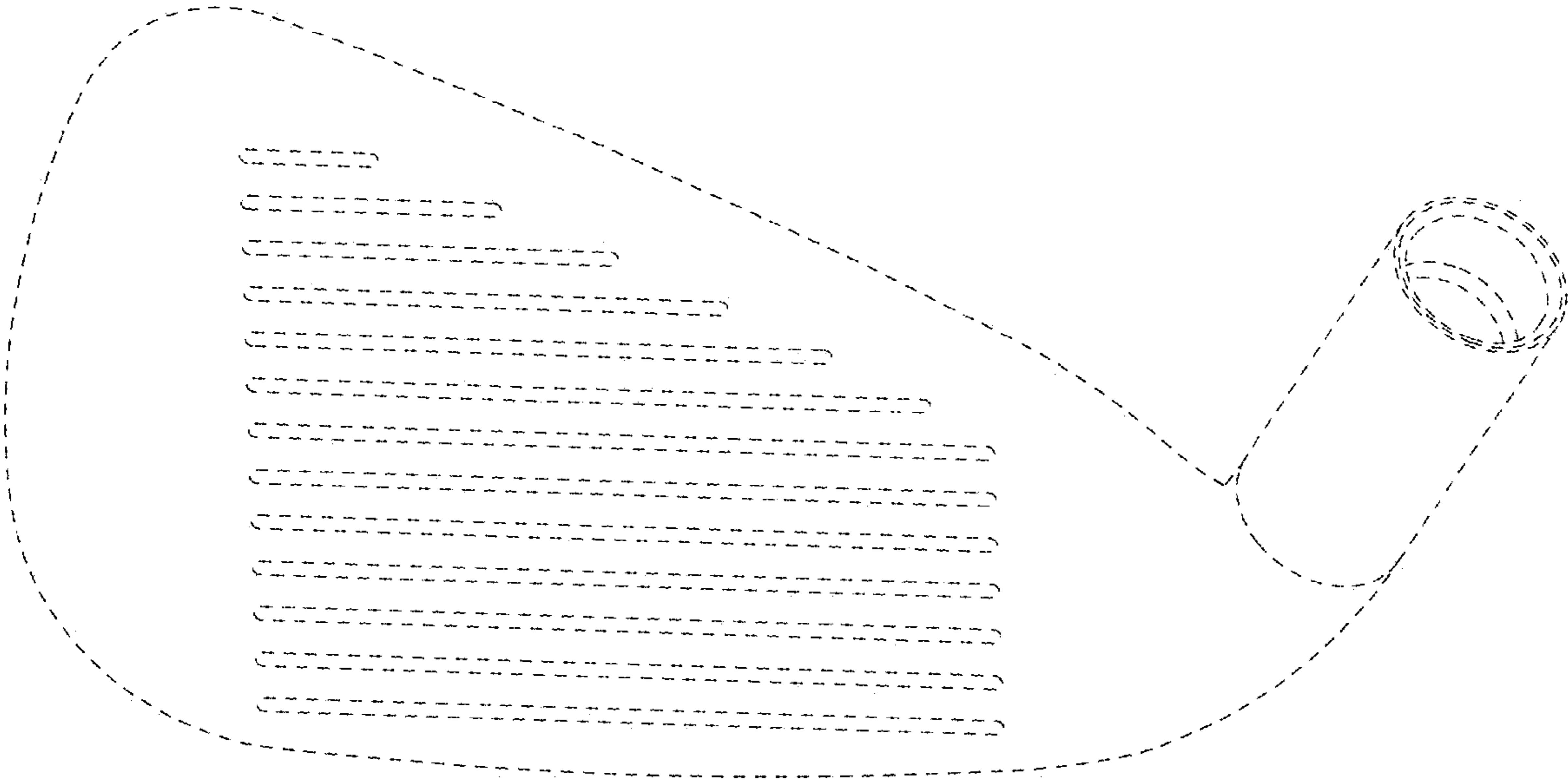


FIG. 9

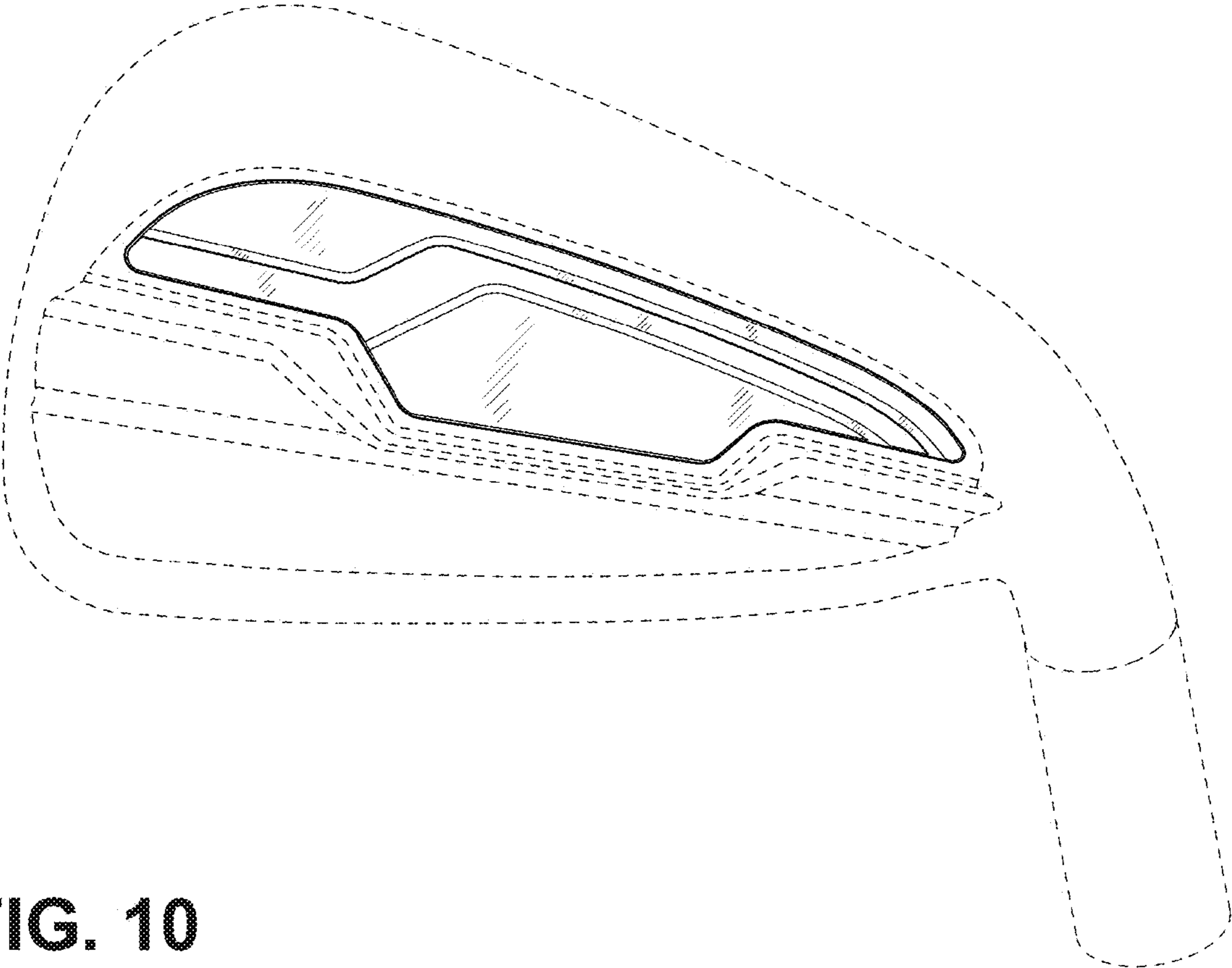


FIG. 10

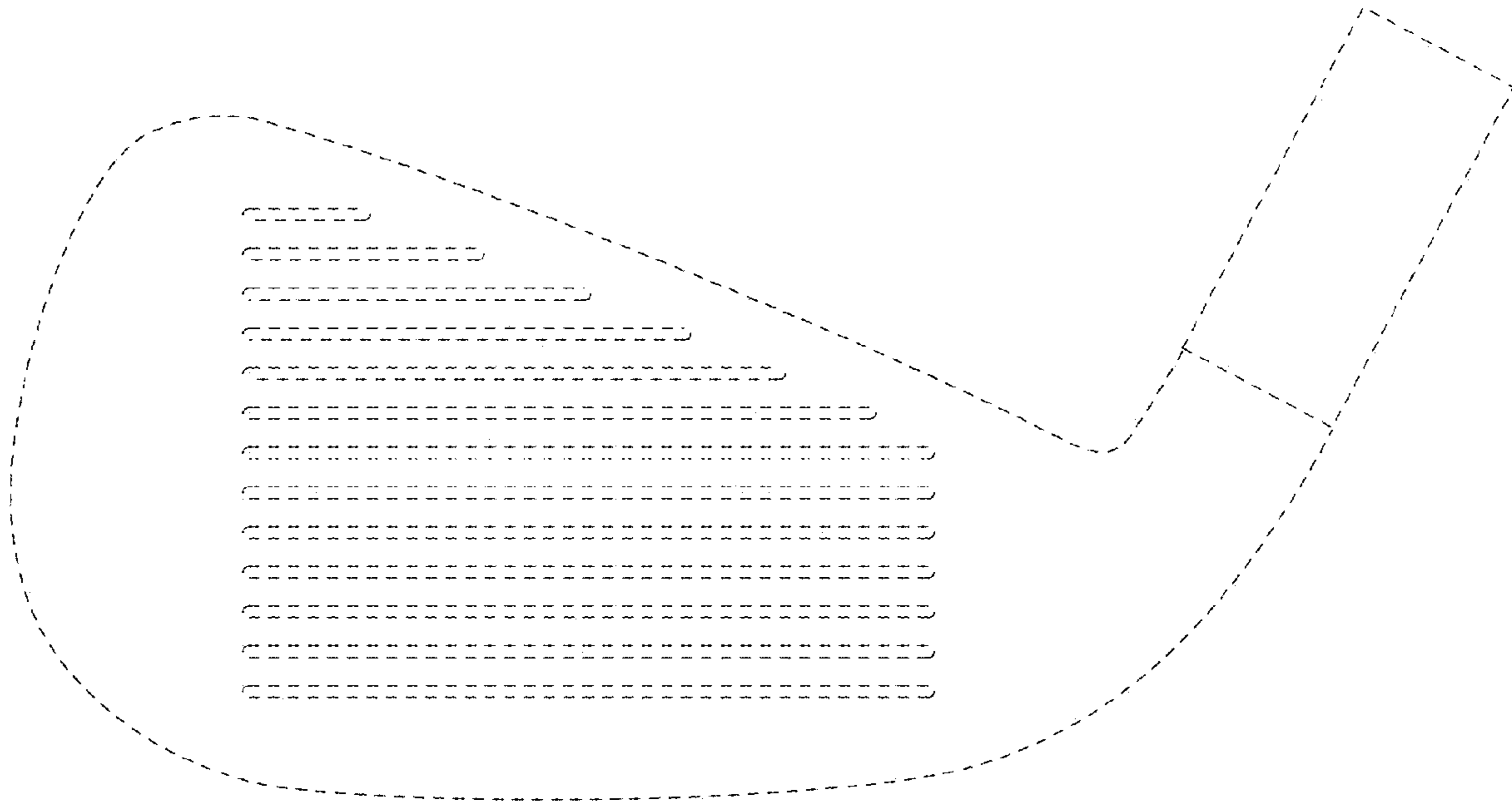


FIG. 11

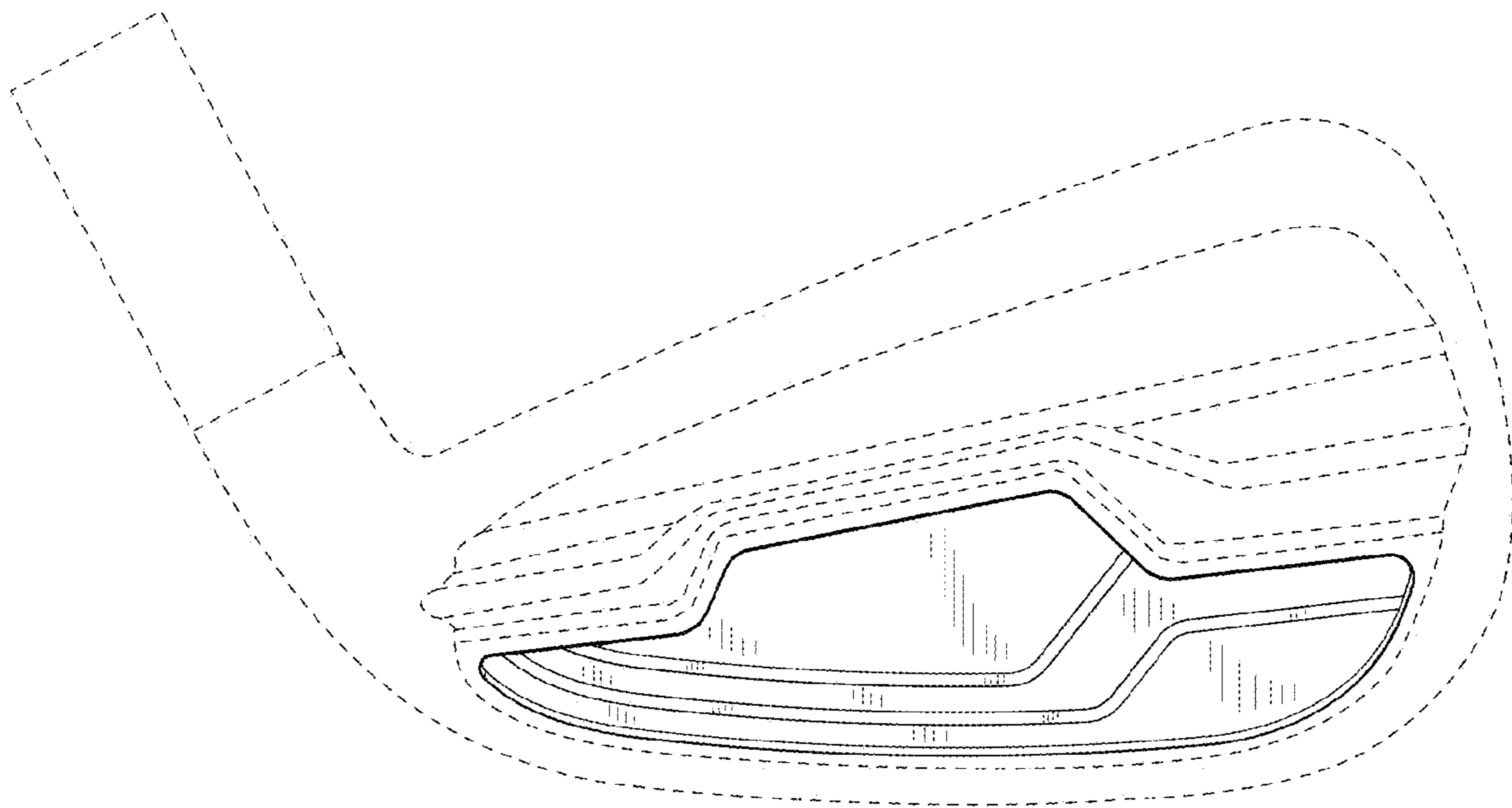


FIG. 12

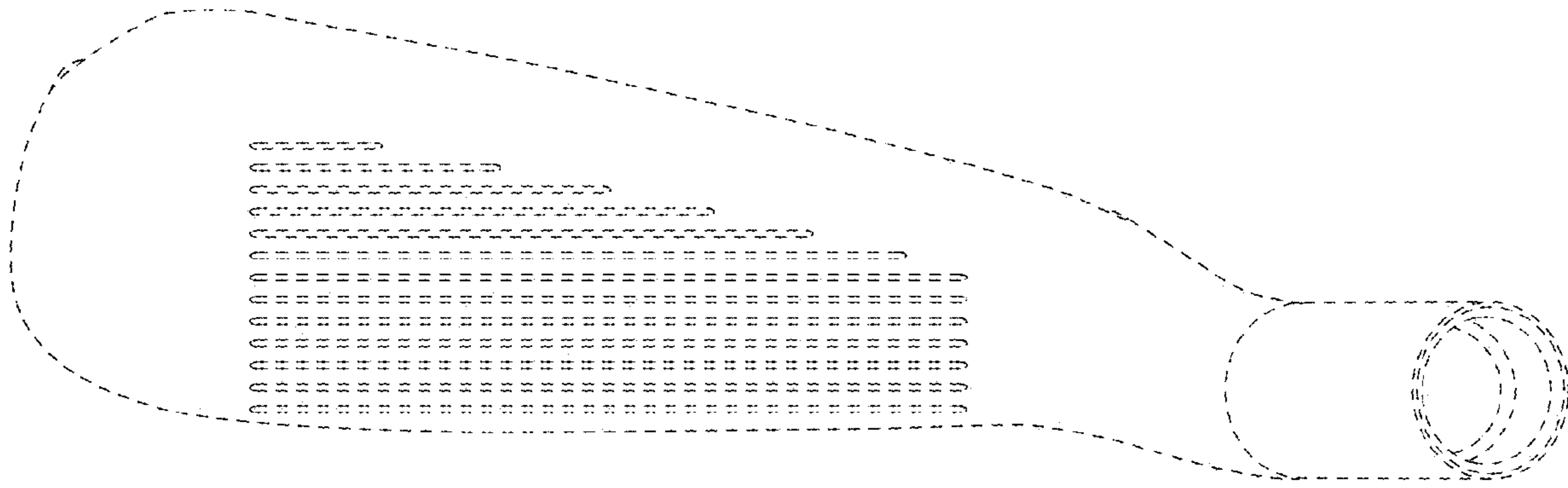


FIG. 13

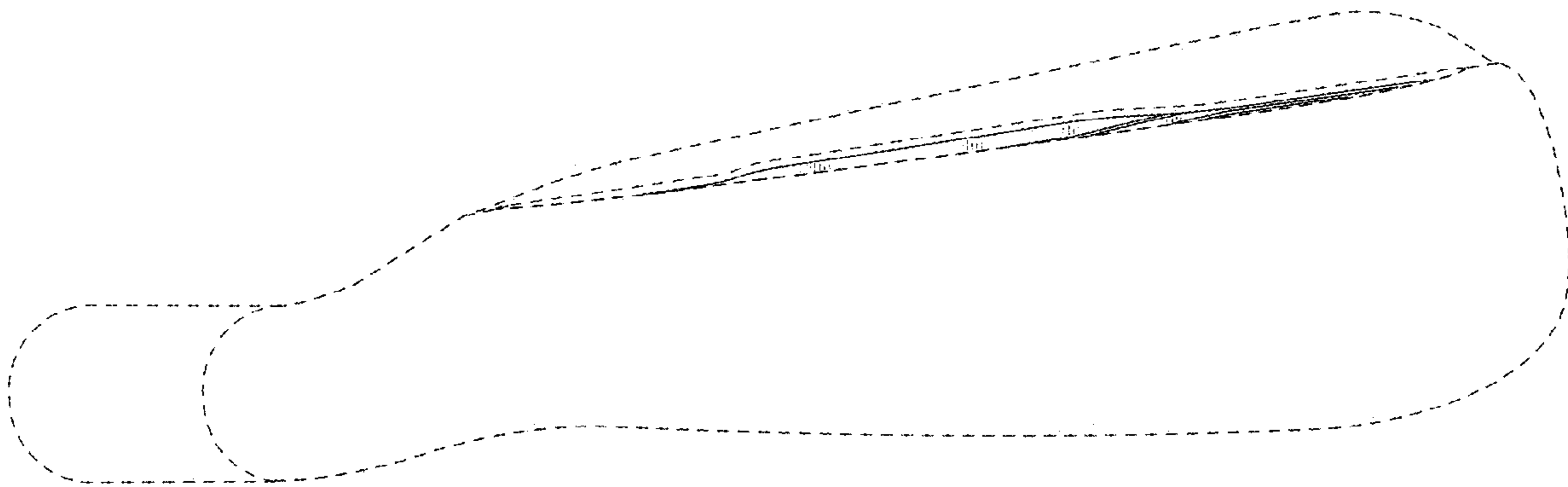


FIG. 14

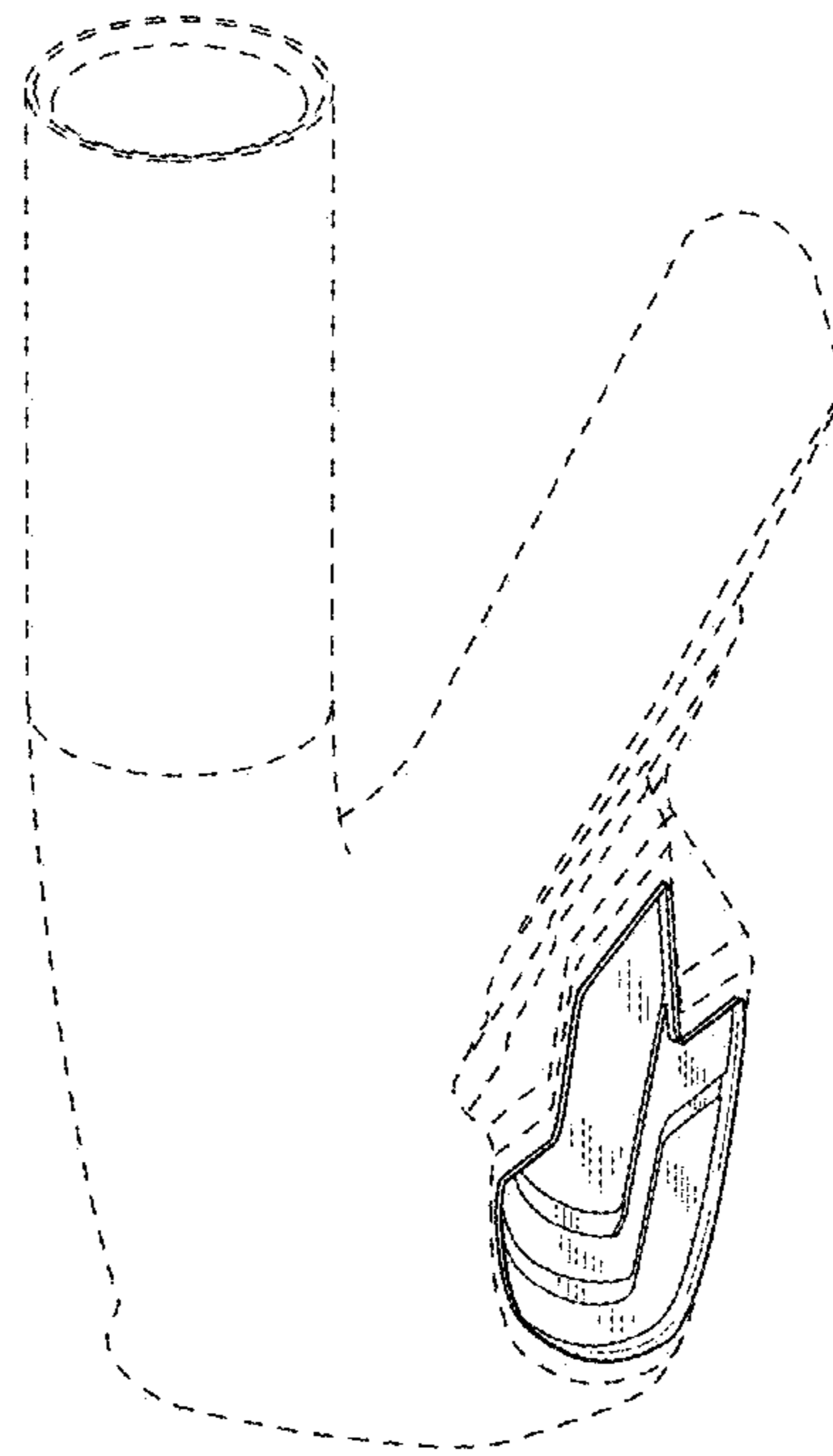


FIG. 15

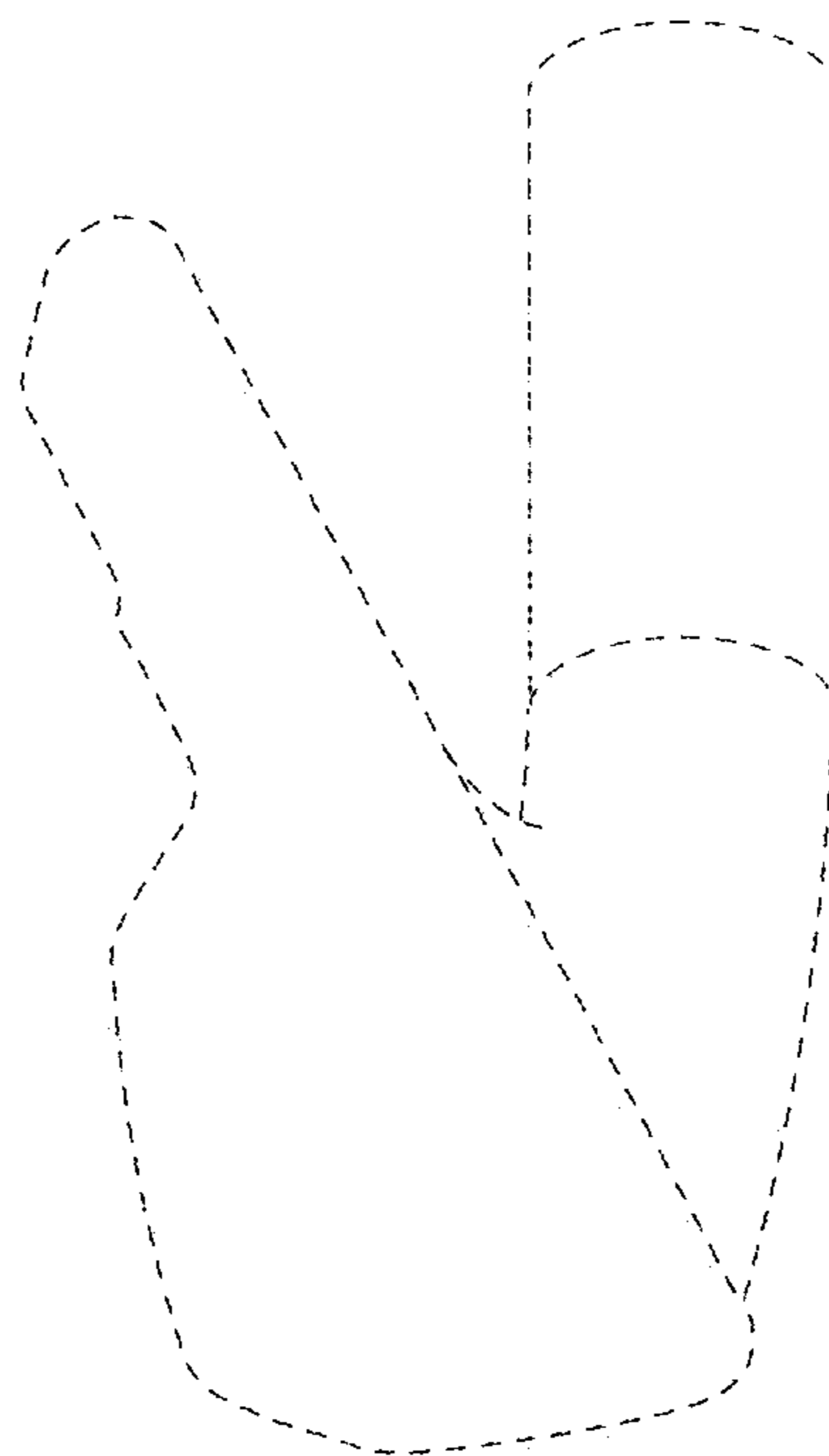


FIG. 16