



US00D956894S

(12) **United States Design Patent** (10) **Patent No.:** **US D956,894 S**
Grbic (45) **Date of Patent:** **** Jul. 5, 2022**

(54) **CONTROL PANEL FOR FITNESS APPARATUS**

(71) Applicant: **Margita Grbic**, Munich (DE)

(72) Inventor: **Margita Grbic**, Munich (DE)

(*) Notice: This patent is subject to a terminal disclaimer.

(**) Term: **15 Years**

(21) Appl. No.: **35/507,075**

(22) Filed: **Dec. 19, 2018**

(80) **Hague Agreement Data**

Int. Filing Date: **Dec. 19, 2018**

Int. Reg. No.: **DM/201955**

Int. Reg. Date: **Dec. 19, 2018**

Int. Reg. Pub. Date: **Jul. 19, 2019**

(30) **Foreign Application Priority Data**

Jun. 19, 2018 (EM) 005316726-0001

(51) **LOC (13) Cl.** **21-02**

(52) **U.S. Cl.**
USPC **D21/694**

(58) **Field of Classification Search**
USPC D21/694, 696; D24/200
CPC A61H 2201/50; A61H 2201/5005; A61H 2201/5007; A61H 2201/5023; A61H 2201/5038; A61H 2201/5043; A61H 2201/5046

See application file for complete search history.

(56) **References Cited**

U.S. PATENT DOCUMENTS

D569,457 S *	5/2008	Hanoun	D14/217
D569,925 S *	5/2008	Hanoun	D21/696
D813,325 S *	3/2018	Blum	D21/696
D816,858 S *	5/2018	Gan	D24/215
D817,508 S *	5/2018	Gan	D24/215
D818,596 S *	5/2018	Zheng	D24/200
D828,468 S *	9/2018	Blum	D21/696
D828,469 S *	9/2018	Blum	D21/696
D849,256 S *	5/2019	Lin	D24/200
D851,272 S *	6/2019	Huang	D24/215
D852,974 S *	7/2019	Lee	D24/215
D853,577 S *	7/2019	Li	D24/215
D868,273 S *	11/2019	Li	D24/200

* cited by examiner

Primary Examiner — Joseph Kukella

(74) *Attorney, Agent, or Firm* — Seed IP Law Group LLP

(57) **CLAIM**

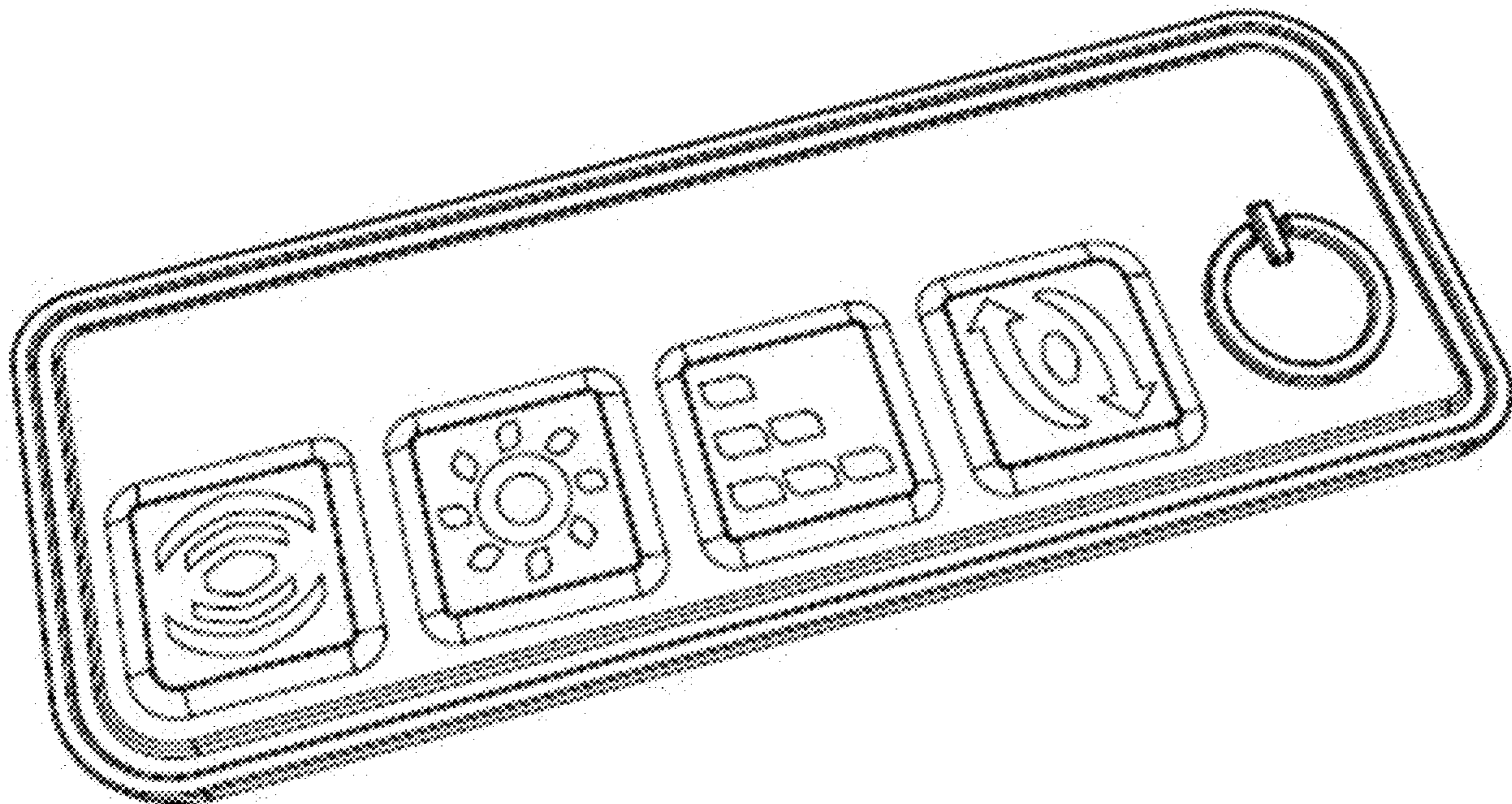
The ornamental design for a control panel for fitness apparatus, as shown and described.

DESCRIPTION

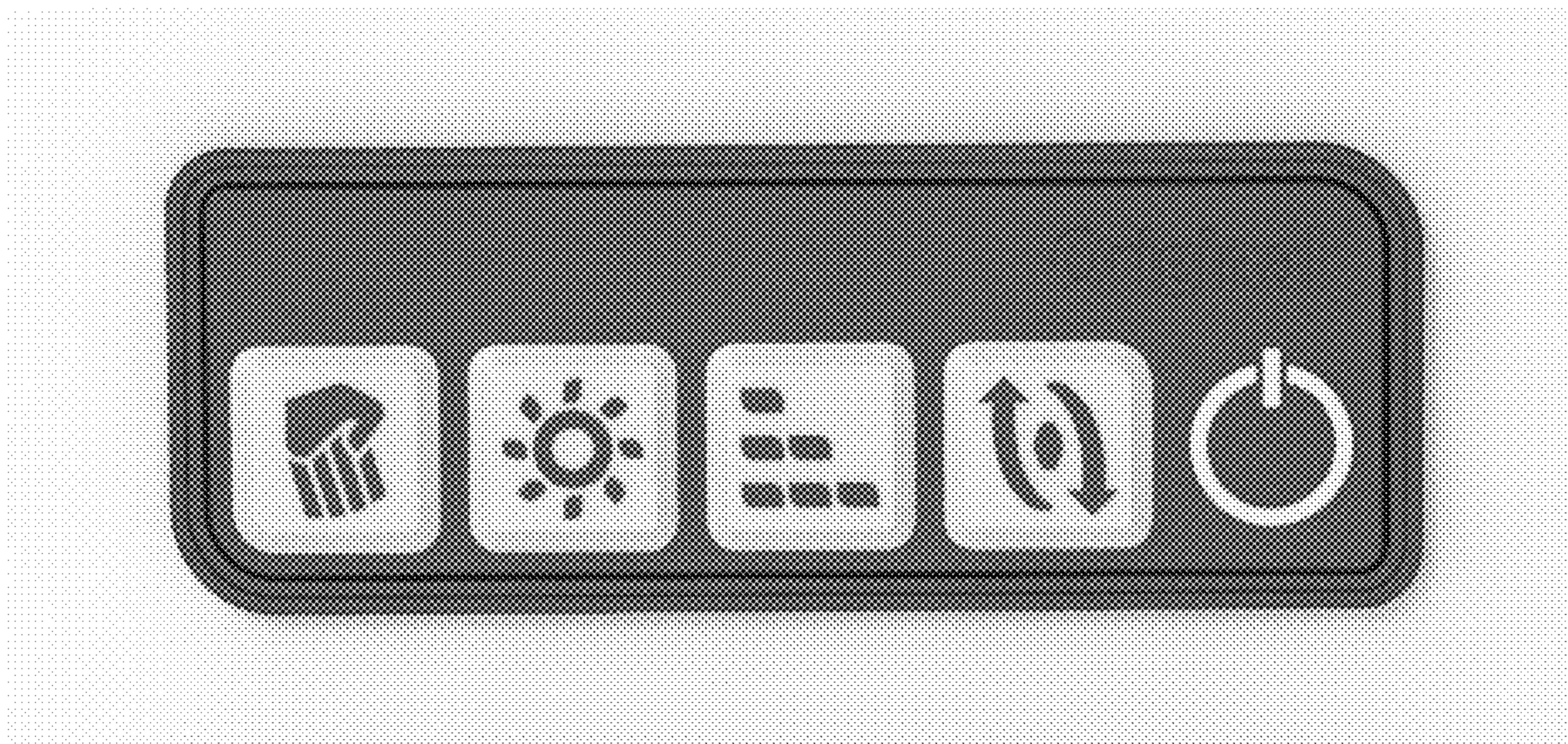
The patent or application file contains at least one drawing executed in color. Copies of this patent or patent application publication with color drawing(s) will be provided by the Office upon request and payment of the necessary fee.

- 1: Front
- 2: Front
- 3: Perspective

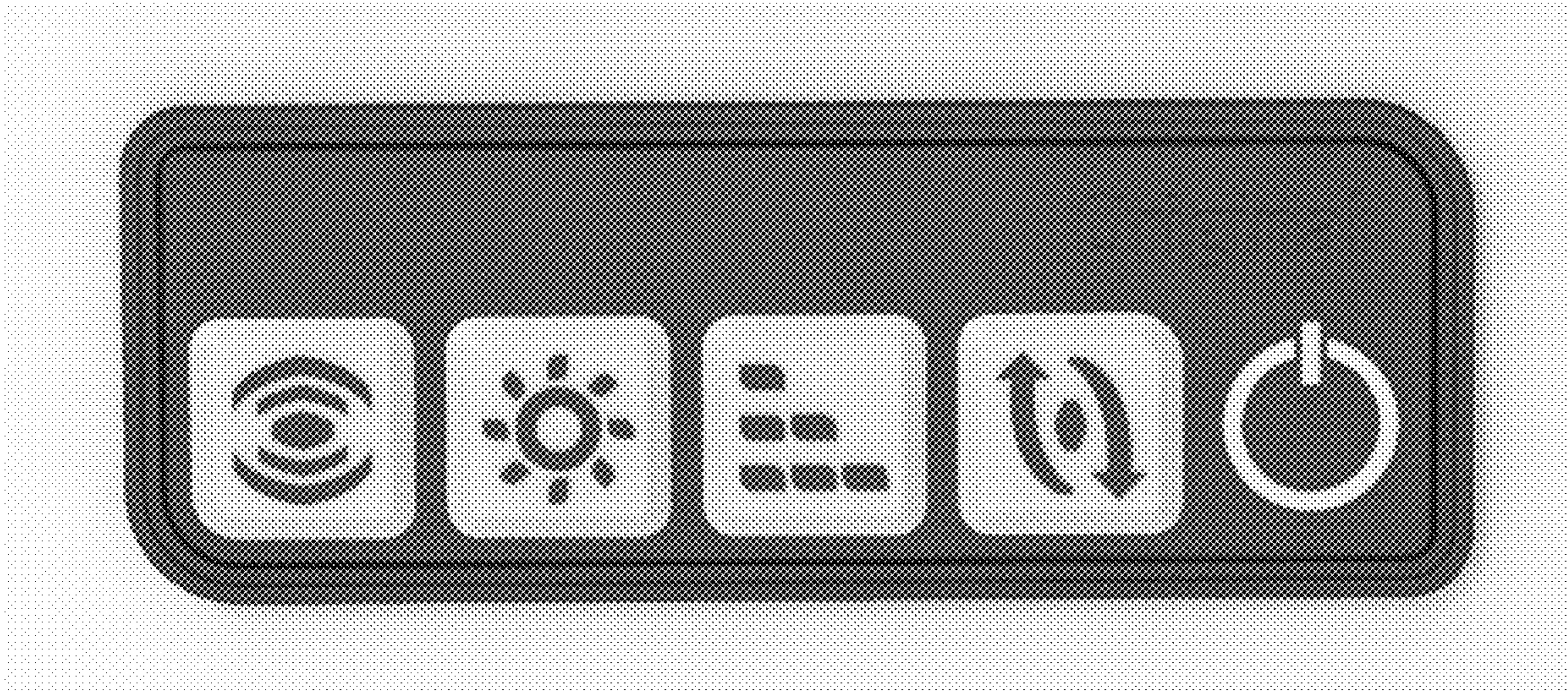
1 Claim, 3 Drawing Sheets
(2 of 3 Drawing Sheet(s) Filed in Color)



1



2



3

